

A tradition of innovation since 1966

HAYBUSTER[®]

CMF-700TM

[truck mount]

HAYBUSTER[®]

TUB GRINDERS

GRAIN DRILLS

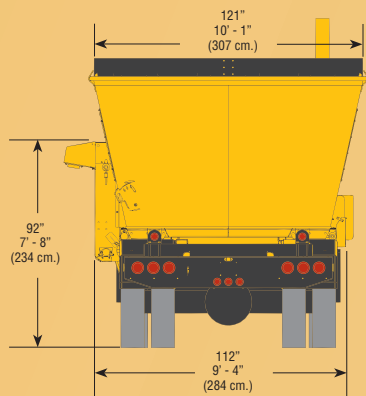
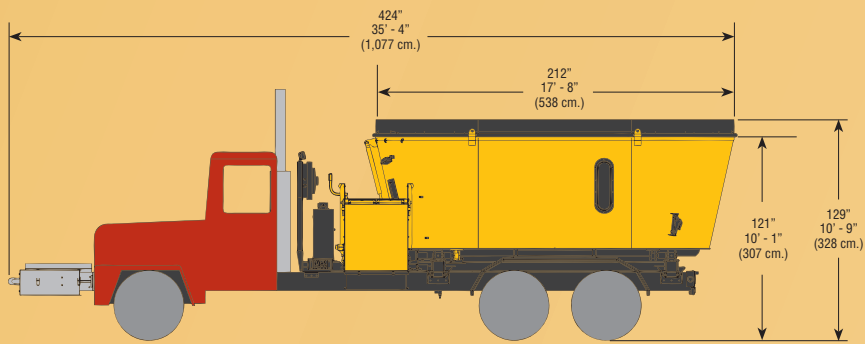
ROCK PICKERS



New from Haybuster! The CMF-700 Truck Mounted vertical mixer for high volume Feeding!

- 705 cu ft (19.96cu. m.) struck capacity with a total of 830 cu ft (23.5 cu.m.) with extensions.
- Fast cutting and mixing with two 88" (282.52 cm.) augers (7 adjustable serrated knives per auger) powered by a heavy duty hydrostatic drive system driven off the front of the engine.
- Left hand 36" (91.44 cm.) hydraulic unloading conveyor, or with an optional rear commodity door
- International model 7500 truck with 350hp (260.9 kw.) Maxx Force engine and Allison automatic transmission
- 4 Point Digi-Star scale system and choice of monitors to meet your feeding needs

Get the job done right with a Haybuster CMF-700TM. Reliable and built to last!



CMF-700TM

[truck mount]



Twin 88 in. augers with 7 serrated blades per auger.

FEATURES

CAPACITIES

Mixing capacity w/o extensions	705 cu ft. (19.96 cu. m.)
Mixing capacity w/12" extension	830 cu ft. (23.5 cu. m.)
Gross weight capacity	54,300 lbs. (24,630.1 kg.)
Tare weight-TMR	21,550 lbs. (9,774.92 kg.)

AUGERS

Number	2
Diameter	88 in. (282.52 cm.)
Flighting thickness	5/8 in. (1.59 cm.)
Number/thickness knives	14 - 1/4 in. (.635 cm.) self sharpening, serrated

DOOR OPENING

24 in. (60.96 cm.) high x
42 in. (106.68 cm.) wide

FLOOR THICKNESS

5/8 in. (1.58 cm.)

SIDE WALL THICKNESS

1/4 in. (0.635 cm.)

DRIVE AND GEAR BOXES

Hydrostatic Drive System
Two - Radial piston motors
Two-year manufacturers warranty

SCALE

Digi-Star 4-point scale

OBSERVATION WINDOWS

2

UNLOADING CONVEYOR

Type: 36 in. (91.44 cm.) chain
Drive: hydraulic orbital motor
Discharge: left

OPTIONS:

Magnets on discharge spouts and conveyors
Rear Discharge
Choose from any Digi-Star scale indicator

SPECIFICATIONS

WEIGHT

Total	32,750 lbs. (14,855.2 kg.)
-------	-----------------------------

TRANSPORT DIMENSIONS

(Fully raised conveyor)

Width	10 ft. 1 in., 121 in. (3.07 m.)
Length	35 ft. 4 in., 424 in., (10.77 m.)
Height	w/rubber extension

WORKING DIMENSIONS

Width	143 3/4 in., 11 ft. 11 in. (m.) with conveyor at 45 degree angle
Loading Height	10 ft. 1 in., 121 in. (3.07 m.) w/o rubber extension
	10 ft. 9 in., 129 in.(3.28 m.) w/rubber extension

CHASSIS

Truck	2008 IHC 7500 - 6x4
Engine	350hp (260.9 kw.) - Maxx Force diesel
Transmissions	Allison 6 speed automatic with Fuller 2-speed Auxiliary Transmission
Tires	(10) 11R22.5 Radial - 16ply
Suspension	Hendrickson Walking Beam Suspension

FEATURES & SPECIFICATIONS

PO Box 1940
 Jamestown, ND 58402-1940
 Phone: (701) 252-4601
 Fax: (701) 252-0502
 Website: www.haybuster.com

DuraTech Industries International, Inc. reserves the right to change its products or specifications at any time without notice or obligation. Illustrations, specifications, and descriptions contained herein were accurate at the time of publication, but are subject to change without notice. Illustrations may include optional equipment or accessories and may not include all standard equipment.

