

2660/2665 Balebuster™

2660-Serial Number 2615000160 & UP

2665-Serial Number 2615000165 & UP



Operating Instructions



and Parts Reference



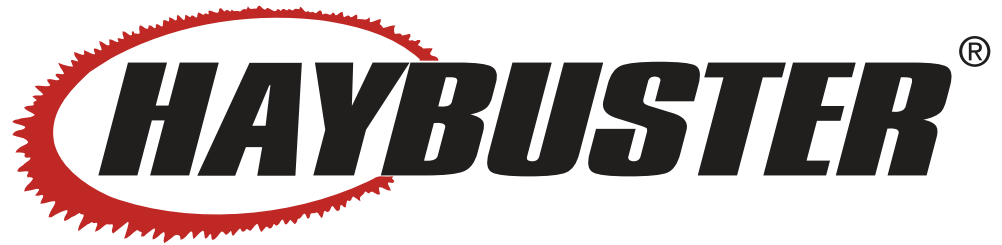
0500147 • June 2026

DuraTech Industries International Inc.
PO Box 1940, Jamestown, ND 58402-1940

Tel: (701)-252-4601

www.duratechindustries.net www.haybuster.com





2660/2665™ BALEBUSTER

2660-Serial Number 2615000160 & UP

2665-Serial Number 2615000165 & UP

Operating Instructions



and Parts Reference

DuraTech Industries International Inc. (DuraTech Industries) has made every effort to assure that this manual completely and accurately describes the operation and maintenance of the 2660 and 2665 BALEBUSTERS™ as of the date of publication. DuraTech Industries reserves the right to make updates to the machine from time to time. Even in the event of such updates, you should still find this manual to be appropriate for the safe operation and maintenance of your unit.

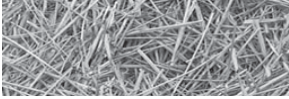
This manual, as well as materials provided by component suppliers to DuraTech Industries are all considered to be part of the information package. Every operator is required to read and understand these manuals, and they should be located within easy access for periodic review.



are registered trademarks of DuraTech Industries International, Inc. 2660 BALEBUSTER and 2665 BALEBUSTER are trademarks of DuraTech Industries International, Inc.







FOREWORD



Foreword

All personnel must read and understand the following sections before operating the 2660/2665 *BALEBUSTER* .

- Section 2, "Dealer Preparation," to verify that the machine has been prepared for use.
- Foreword and Section 1, important safety information.
- Section 3.1, "Pre-Operation Inspection".

Appropriate use of unit

Your model 2660/2665 *BALEBUSTER* is designed to load and shred most types of baled livestock forage. It is designed for use on large round bales.



To avoid possible damage to the machine and risk of injury to the operator, consult with a DuraTech Industries International, Inc. (DuraTech) representative before attempting to shred materials other than livestock forage.

The 2660/2665 *BALEBUSTER* have multiple uses:

- Laying windrows in open fields.
- Filling feed bunks - fenceline, circular etc.
- Spreading forage for livestock bedding.
- Spreading forage over perennial plants, such as strawberries, mushrooms, etc.
- Spreading forage over reclaimed land areas.

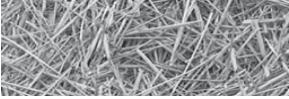


TABLE OF CONTENTS

Operator protection

As with all machinery, care needs to be taken in order to ensure the safety of the operator and those in the surrounding area.



WARNING: The **OPERATOR IS RESPONSIBLE** for the safety of the operator and those in the surrounding area.

Operators of the 2660/2665 BALEBUSTER are **REQUIRED** to wear head, eye, and ear protection, no loose clothing is allowed.

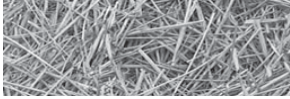


TABLE OF CONTENTS

Part I: Operating instructions..... 1

Introduction2

Purpose 2

Section 1: Safety..... 4

1.1 Safety-alert symbols..... 4

1.2 Operator - personal equipment..... 6

1.3 Machine safety labels..... 7

1.4 Shielding..... 9

1.5 Safety review Section..... 9

1.6 Towing/road transport 10

Section 2: Dealer preparation.....11

2.1 Pre-delivery inspection..... 11

2.2 Shipping list and illustration for the 2660/2665 BALEBUSTER 12

2.3 Assembly required..... 14

Section 3: Operation16

3.1 Pre-starting inspection instructions 16

3.2 Normal shutdown procedure 17

3.3 Adjustments 17

3.3.1 Hitch Adjustment..... 17

3.3.2 P.T.O. Shield 17

3.3.3 Conveyor Speed Control 18

3.3.5 Chain Case Adjustments..... 19

3.3.4 Conveyor Chain Adjustment..... 19

3.3.6 Slugbar Adjustment 20

3.3.7 Clean Out Door..... 20

3.3.8 Flails 21

3.3.9 Stripper Plate 21

3.3.10 Loader..... 22

3.3.13 Tires & Rims..... 24

3.3.11 Loader Transport Pin 24

3.3.12 Hydraulic Cylinder and Valve..... 24

3.3.14 Rack..... 25

3.3.15 Jack 25

3.3.16 Changing distribution pattern 26

3.4 Hitching the 2660/2665 BALEBUSTER27

3.5 Unhitching the 2660/2665 BALEBUSTER28

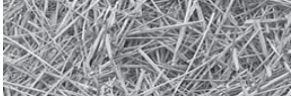
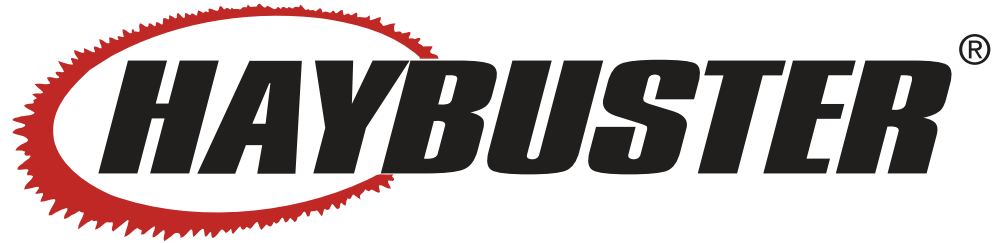


TABLE OF CONTENTS

3.6 Starting the machine.....	28
3.7 Loading the bale.....	30
3.8 Shredding the bale.....	31
3.9 Twine Removal	32
3.10 Transporting the 2660/2665 BALEBUSTER.....	32
3.11 Storing the 2660/2665 BALEBUSTER	33
3.12 Removing the 2660/2665 BALEBUSTER from storage	33
3.13 Digi-Star EZ 2500 – Setup and Calibration.....	34
Section 4: Lubrication	35
4.1 Lubrication	35
4.2 Grain Tank (Option).....	40
4.3 General appearance	40
Section 5: Troubleshooting	41
Section 6: 2660/2665 Balebuster Options.....	42
6.1 Grain Tank Operation (Option).....	42
6.2 Grain Tank (Option) Calibration Procedure.....	43
6.3 Hydraulic Deflector (Option)	45
6.4 Hydraulic Slug Bar (Option).....	46
6.5 Containment Flap (Option)	47
6.6 Containment Extensions (Option).....	47
Section 7: Maintenance.....	48
7.1 Welding Procedure	48
Appendix A: WARRANTY	49
Appendix B: 2660/2665 Specifications.....	50
Appendix C: Grain tank (Option) Specifications.....	51



2660/2665™ BALEBUSTER

2660-Serial Number 2615000160 & UP



2665-Serial Number 2615000165 & UP

Operating Instructions

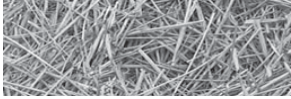


DuraTech Industries International Inc. (DuraTech Industries) has made every effort to assure that this manual completely and accurately describes the operation and maintenance of the 2660 and 2665 BALEBUSTERS™ as of the date of publication. DuraTech Industries reserves the right to make updates to the machine from time to time. Even in the event of such updates, you should still find this manual to be appropriate for the safe operation and maintenance of your unit.

This manual, as well as materials provided by component suppliers to DuraTech Industries are all considered to be part of the information package. Every operator is required to read and understand these manuals, and they should be located within easy access for periodic review.

 &  are registered trademarks of DuraTech Industries International, Inc. 2660 BALEBUSTER and 2665 BALEBUSTER are trademarks of DuraTech Industries International, Inc.





Introduction

Your model 2660/2665 BALEBUSTER™ is designed to load and shred most types of livestock forage. It is designed specifically for use on 6 foot diameter round bales weighing up to 2,000 pounds and 6 feet in length.

To avoid possible damage to the machine and risk of injury to the operator, consult with a DuraTech Industries International, Inc. (DuraTech Industries) representative before attempting to shred materials other than livestock forage.

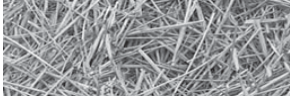
Purpose

The purpose of this owner's manual is to explain maintenance requirements and routine adjustments for the most efficient operation of your 2660/2665 BALEBUSTER. There is also a trouble shooting section that may help in case of problems in the field. Any information not covered in this manual may be obtained from your dealer.



Special Note: When reference is made as to front, rear, right hand or left hand of this machine, the reference is always made from standing at the rear end of the machine and looking towards the hitch. Always use serial number and model number when referring to parts or problems. Please obtain your serial number and write it below for your future reference.

MODEL: 2660/2665 BALEBUSTER SERIAL NO-----



How to use this manual

Manual organization

This manual is organized into the following parts:

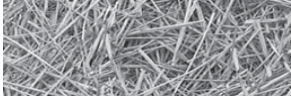
- **Part 1: Operating instructions** explain how to set up, use and maintain the 2660/2665 BALEBUSTER.
- **Part 2: Parts reference** contains diagrams of each assembly, with the part number of each part. A key on the facing page contains a description of the part and the quantity used.

Dealer responsibilities

- Read Section 2, "Dealer Preparation," and perform the tasks outlined. Also perform a pre-operation inspection as described in Section 3.2.1.
- Upon delivery of the unit to the customer, it is your responsibility to conduct a training session on the safe operation of the unit for the primary operator(s). You must also conduct a "walk-around" inspection of all safety instructional decals on the machine itself. Decals are illustrated in **Part 2: Parts Reference**.
- Complete and return the Warranty Registration Card. Receipt of this form is required to activate the warranty. **Appendix A** provides details of the warranty.

Operator responsibilities

- Operator is responsible for his safety.
- Operator is also responsible for safety of others near the machine.
- Review Section 2, "Dealer Preparation," to verify that the machine has been prepared for use.
- Thoroughly review sections 1 and 3, which explain normal operation of the machine, and section 4, which explain maintenance requirements.
- Note the important safety information in the Foreword and in Section 1, "Safety."
- Keep copies of all manuals in a readily accessible location for future reference.



Section 1: Safety

The safety of the operator is of great importance to DuraTech Industries. We have provided decals, shield and other safety features to aid you in using your machine safely. In addition, we ask you to be a careful operator who will properly use and service your Haybuster equipment.



WARNING: FAILURE TO COMPLY WITH SAFETY INSTRUCTIONS THAT FOLLOW WITHIN THIS MANUAL COULD RESULT IN SEVERE PERSONAL INJURY OR DEATH. BEFORE ATTEMPTING TO OPERATE THIS MACHINE, CAREFULLY READ ALL INSTRUCTIONS CONTAINED WITHIN THIS MANUAL. ALSO READ THE INSTRUCTION MANUAL PROVIDED WITH YOUR TRACTOR.

THIS MACHINE IS NOT TO BE USED FOR ANY PURPOSE OTHER THAN THOSE EXPLAINED IN THE OPERATOR'S MANUAL, ADVERTISING LITERATURE OR OTHER DURATECH INDUSTRIES WRITTEN MATERIAL PERTAINING TO THE 2660/2665 BALEBUSTER.

1.1 Safety-alert symbols

Decals are illustrated in **Part 2: Parts Reference**.

The safety decals located on your machine contain important and useful information that will help you operate your equipment safely.

To assure that all decals remain in place and in good condition, follow the instructions below:

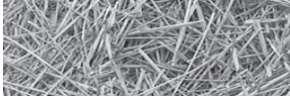
- Keep decals clean. Use soap and water - not mineral spirits, adhesive cleaners and other similar cleaners that will damage the decal.
- Replace all damaged or missing decals. When attaching decals, surface temperature of the machine must be at least 40° F (5° C). The surface must also be clean and dry.
- When replacing a machine component to which a decal is attached, be sure to also replace the decal.

DuraTech Industries uses industry accepted **ASAE** standards in labeling its products for safety and operational characteristics.



Safety-Alert Symbol

Read and recognize safety information. Be alert to the potential for personal injury when you see this safety-alert symbol.



DANGER: Indicates an imminently hazardous situation that, if not avoided, will result in death or serious injury. This signal word is to be limited to the most extreme situations, typically for machine components that, for functional purposes, cannot be guarded.

WARNING: Indicates a potentially hazardous situation that, if not avoided, could result in death or serious injury, and includes hazards that are exposed when guards are removed. It may also be used to alert against unsafe practices.

CAUTION: Indicates a potentially hazardous situation that, if not avoided, may result in minor or moderate injury. It may also be used to alert against unsafe practices.

This manual uses the symbols to the right to denote important safety instructions and information.

The **DANGER**, **WARNING** and **CAUTION** symbols are used to denote conditions as stated in the text above. Furthermore, the text dealing with these situations is surrounded by a box with a white background, and will begin with **DANGER**, **WARNING**, or **CAUTION**.

The **INFORMATION** symbol is used to denote important information or notes regarding maintenance and use of the machine. The text for this information is surrounded by a box with a light grey background and will begin with either **Important** or **Note**.



DANGER:
Signal word - White Lettering/Red Background
Safety Alert Symbol - White Triangle/Red Exclamation Point



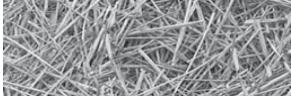
WARNING:
Signal word - Black Lettering/Orange Background
Safety Alert Symbol - Black Triangle/Orange Exclamation Point



CAUTION:
Signal word - Black Lettering/Yellow Background
Safety Alert Symbol - Black Triangle/Yellow Exclamation Point



	<p>1. Yellow warning triangle/black graphical symbol, indicates what the hazard is. Hazard Identification</p>
	<p>2. Red circle-with-slash/black graphical symbol indicates a prohibited action to avoid the hazard. Prohibited Action</p>
	<p>3. Blue mandatory action circles/white graphical symbol - indicates an action to take to avoid the hazard. Mandatory Action</p>



1.2 Operator - personal equipment

THE OPERATOR

Physical Condition

You must be in good physical condition and mental health and not under the influence of any substance (drugs, alcohol) which might impair vision, dexterity or judgment.

Do not operate a **2660/2665 BALEBUSTER** when you are fatigued. Be alert - If you get tired while operating your **2660/2665 BALEBUSTER**, take a break. Fatigue may result in loss of control. Working with any farm equipment can be strenuous. If you have any condition that might be aggravated by strenuous work, check with your doctor before operating.

Proper Clothing



Clothing must be sturdy and snug fitting but allow complete freedom of movement. Avoid loose-fitting jackets, scarves, neckties, jewelry, flared or cuffed pants, unconfined long hair or anything that could become entangled with the machine.



Protect your hands with gloves when handling flails and sections. Heavy-duty, nonslip gloves improve your grip and protect your hands.



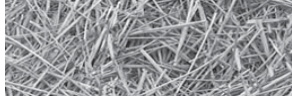
Good footing is most important. Wear sturdy boots with nonslip soles. Steel-toed safety boots are recommended.



To reduce the risk of injury to your eyes never operate a **2660/2665 BALEBUSTER** unless wearing goggles or properly fitted safety glasses with adequate top and side protection.




Tractor noise may damage your hearing. Always wear sound barriers (ear plugs or ear muffs) to protect your hearing. Continual and regular users should have their hearing checked regularly.



1.3 Machine safety labels

The safety decals located on your machine contain important information that will help you operate your equipment. Become familiar with the decals and their locations.


 **DANGER: FLYING HAY, ROCKS, AND OTHER OBJECTS THROWN BY MACHINE.**

STAY CLEAR OF DISCHARGE SIDE OF MACHINE UNLESS OPERATOR HAS STOPPED TRACTOR ENGINE AND MACHINE HAS STOPPED ROTATING. FAILURE TO FOLLOW THESE INSTRUCTIONS MAY RESULT IN SEVERE PERSONAL INJURY OR DEATH.

⚠ DANGER FLYING HAY, ROCKS, AND OTHER OBJECTS THROWN BY MACHINE.
STAY CLEAR OF DISCHARGE SIDE OF MACHINE UNLESS OPERATOR HAS STOPPED TRACTOR ENGINE AND MACHINE HAS STOPPED ROTATING.
FAILURE TO FOLLOW THESE INSTRUCTIONS MAY RESULT IN SEVERE PERSONAL INJURY OR DEATH.

⚠ PELIGRO LA PAJA, LAS PIEDRAS Y OTRAS COSAS TIRADAS POR LA MAQUINA
NO SE PARE JUNTO AL LADO DEL DISPARADOR DE LA MAQUINA SI EL MOTOR ESTÁ EN MARCHA Y LAS PALETAS ESTÁN EN MOVIMIENTO.
NO SIGUIR ESTAS INSTRUCCIONES PUEDE RESULTAR EN HERIDAS GRAVES E INCLUSO LA MUERTE.

6500034


 **DANGER: ROTATING FLAILS CAN KILL OR DISMEMBER**

KEEP CLEAR OF MACHINE UNTIL POWER TAKE-OFF HAS BEEN DISENGAGED, TRACTOR ENGINE SHUT OFF AND FLAIL ROTATION STOPPED

⚠ DANGER PELIGRO ROTATING FLAILS CAN KILL OR DISMEMBER
KEEP CLEAR OF MACHINE UNTIL POWER TAKE-OFF HAS BEEN DISENGAGED, TRACTOR ENGINE SHUT OFF AND FLAIL ROTATION STOPPED

⚠ LAS PALETAS EN MOVIMIENTO PUEDEN DESMEMBRAR E INCLUSO MATAR
MANTENGA SU DISTANCIA HASTA QUE SE DESCONECTE LA TOMA DE FUERZA, EL MOTOR PARE Y LAS PALETAS DEJEN DE MOVERSE

6500035


 **DANGER: ROTATING DRIVELINE, CONTACT CAN CAUSE DEATH, KEEP AWAY!**

ENTANGLEMENT CAN CAUSE SERIOUS INJURY OR DEATH

DO NOT OPERATE WITHOUT

- ALL DRIVELINE GUARDS, TRACTOR AND EQUIPMENT SHIELDS IN PLACE
- DRIVELINES SECURELY ATTACHED AT BOTH ENDS
- DRIVELINE GUARDS THAT TURN FREELY ON DRIVELINE

⚠ DANGER




**Rotating Driveline
Keep Away!**
Entanglement can cause serious injuries or death.

Do Not Operate Without -

- All driveline guards, tractor and equipment shields in place.
- Drivelines securely attached at both ends.

6500085

6500085

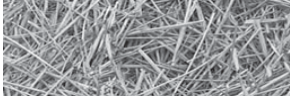
 **WARNING: FOR YOUR PROTECTION KEEP ALL SHIELDS IN PLACE AND SECURED WHILE MACHINE IS OPERATING MOVING PARTS WITHIN CAN CAUSE SEVERE PERSONAL INJURY.**

⚠ WARNING **⚠ ADVERTENCIA**

FOR YOUR PROTECTION KEEP ALL SHIELDS IN PLACE AND SECURED WHILE MACHINE IS OPERATING. MOVING PARTS WITHIN CAN CAUSE SEVERE PERSONAL INJURY.

PARA ASEGURAR SU PROTECCION, MANTENGA TODOS LOS PROTECTORES EN SU LUGAR Y ASEGURADOS MIENTRAS LA MAQUINA ESTE OPERANDO. LAS PIEZAS MOVILES INTERNAS PUEDEN CAUSAR LESIONES PERSONALES GRAVES.

6500040



WARNING: FOR YOUR PROTECTION AND PROTECTION OF OTHERS, **PRACTICE THE FOLLOWING SAFETY RULES.**

1. BEFORE OPERATING THIS MACHINE, READ THE OPERATOR'S MANUALS SUPPLIED WITH THIS MACHINE AND YOUR TRACTOR.
2. CHECK OPERATOR'S MANUALS TO BE SURE YOUR TRACTOR MEETS THE MINIMUM REQUIREMENTS FOR THIS MACHINE.
3. READ ALL DECALS PLACED ON THIS MACHINE FOR YOUR SAFETY AND CONVENIENCE.
4. NEVER ALLOW RIDERS ON THIS IMPLEMENT OR THE TRACTOR.
5. KEEP OTHERS AWAY FROM THIS MACHINE WHILE IN OPERATION.
6. KEEP ALL SHIELDS IN PLACE WHILE MACHINE IS OPERATING.
7. KEEP HANDS, FEET, LOOSE CLOTHING, ETC., AWAY FROM POWER DRIVEN PARTS.
8. ALWAYS SHUT OFF MACHINE AND ENGINE BEFORE SERVICING, UNCLOGGING, INSPECTING, OR WORKING NEAR THIS MACHINE FOR ANY REASON. ALWAYS PLACE TRANSMISSION IN PARK OR SET PARK BRAKE AND WAIT FOR ALL MOVEMENT TO STOP BEFORE APPROACHING THIS MACHINE.

WARNING

FOR YOUR PROTECTION AND PROTECTION OF OTHERS, PRACTICE THE FOLLOWING SAFETY RULES.

1. BEFORE OPERATING THIS MACHINE, READ THE OPERATOR'S MANUALS SUPPLIED WITH THIS MACHINE AND YOUR TRACTOR.
2. CHECK OPERATOR MANUALS TO BE SURE YOUR TRACTOR MEETS THE MINIMUM REQUIREMENTS FOR THIS MACHINE.
3. READ ALL DECALS PLACED ON THIS MACHINE FOR YOUR SAFETY AND CONVENIENCE.
4. NEVER ALLOW RIDERS ON THIS IMPLEMENT OR THE TRACTOR.
5. KEEP OTHERS AWAY FROM THIS MACHINE WHILE IN OPERATION.
6. KEEP ALL SHIELDS IN PLACE WHILE MACHINE IS OPERATING.
7. KEEP HANDS, FEET, LOOSE CLOTHING, ETC. AWAY FROM POWER DRIVEN PARTS.
8. ALWAYS SHUT OFF MACHINE AND ENGINE BEFORE SERVICING, UNCLOGGING, INSPECTING, OR WORKING NEAR THIS MACHINE FOR ANY REASON. ALWAYS PLACE TRANSMISSION IN PARK OR SET PARK BRAKE AND WAIT FOR ALL MOVEMENT TO STOP BEFORE APPROACHING THIS MACHINE.

ADVERTENCIA

SIGA LAS REGLAS SIGUIENTES DE SEGURIDAD PARA SU PROTECCION Y LA PROTECCION DE OTROS.

1. LEA LOS MANUALES DEL OPERADOR INCLUIDOS CON ESTA MAQUINA Y SU TRACTOR ANTES DE OPERAR ESTA MAQUINA.
2. PARA ASEGURARSE QUE SU TRACTOR CUMPLE CON LOS REQUISITOS MÍNIMOS PARA ESTA MAQUINA, REVISÉ LOS MANUALES DEL OPERADOR.
3. PARA SU SEGURIDAD Y CONVENIENCIA, LEA TODAS LAS CALCOMANIAS COLOCADAS EN LA MAQUINA.
4. NUNCA PERMITA PASAJEROS EN ESTA MAQUINA O EN EL TRACTOR.
5. MANTÉNGA ALEJADOS A LOS ESPECTADORES MIENTRAS ESTA MAQUINA ESTE OPERANDO.
6. MANTÉNGA TODOS LOS PROTECTORES EN SU LUGAR MIENTRAS LA MAQUINA ESTE OPERANDO.
7. MANTÉNGA LAS MANOS, PIES, ROPAS HOLLADAS, ETC. ALEJADAS DE LAS PIEZAS PROPULSADAS.
8. DESPUESE APAGUE LA MAQUINA Y EL MOTOR ANTES DE PRESTAR SERVICIO. DESHABILITE, INSPECCIONAR O TRABAJAR CERCA DE ESTA MAQUINA POR CUALQUIER MOTIVO, ANTES DE ACERCARSE A ESTA MAQUINA COLOQUE SIEMPRE LA TRANSMISION EN ESTACIONAMIENTO O ENGANCHE EL FRENO DE ESTACIONAMIENTO.

6500041



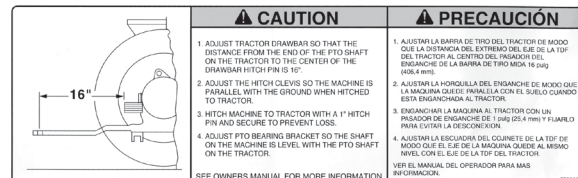
WARNING: NO STEP DO NOT STEP, STAND, OR SIT ON THIS SURFACE. MAY CAUSE INJURY AND/OR EQUIPMENT DAMAGE.



6500490



CAUTION: ADJUST TRACTOR DRAWBAR SO THAT THE DISTANCE FROM THE END OF THE P.T.O. SHAFT ON THE TRACTOR TO THE CENTER OF THE DRAWBAR HITCH PIN IS 16".



6500322

- Replacement decals can be purchased from your Haybuster dealer.



1.4 Shielding

Shields are installed for your protection. Keep them in place and replace damaged shields.

1.5 Safety review Section

BEFORE OPERATING

- Read and follow all instructions contained in:
 - a. This 2660/2665 BALEBUSTER operator's manual
 - b. Tractor operator's manual
 - c. Decals placed on the 2660/2665 BALEBUSTER.

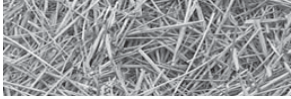


NOTE: Additional copies of the above-mentioned materials can be obtained from your dealer.

- Allow only responsible, properly instructed individuals to operate your machine. Carefully supervise inexperienced operators.
- Use a tractor which meets the tractor requirement contained within this manual. Additional weights may be necessary.
- Make sure the machine is in good operating condition and that all protective shields are in place and in proper working order. Replace damaged shields before operating.
- Be sure all bystanders and other workers are clear before starting tractor and 2660/2665 BALEBUSTER.
- Make no modifications to the machine unless specifically recommended or requested by DuraTech Industries.
- Check periodically for breaks or unusual wear and make any necessary repairs.
- Be sure the unit is securely attached to a tractor of equal or greater weight than the 2660/2665 BALEBUSTER and bale.
- If required install P.T.O. safety chain, check local regulations regarding safety chain requirements.

DURING OPERATION

- Enforce the following safety precautions and others contained in this manual to prevent serious personal injury or death due to accidental contact with rotating flails.
 - a. Everyone must be kept clear of work area except operator seated at tractor controls.
 - b. Disengage P.T.O. and make sure everyone is clear of machine before starting engine.
- Enforce the following safety precautions and others contained in this manual to prevent injury due to accidental contact with flying material thrown by flails.
 - a. Keep bystanders away from work area.
 - b. Keep shield in place and in good condition.



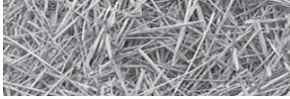
- c. Watch out for and avoid any object that might interfere with the proper operation of the machine.
 - d. Replace missing or damaged flails.
- Power takeoff shafts must be locked in place with protective P.T.O. shields in place.
 - Keep hands, feet and clothing away from power driven parts.
 - Never leave tractor controls unattended while the engine is running.
 - Never allow riders on the machine at any time.
 - Be sure the tractor operator is the only person riding on the tractor.
 - Exercise extreme care when operating on rough and/or steep terrain. Avoid operation on terrain which is excessively rough or steep.
 - Make sure your tractor P.T.O. speed never exceeds 1000 rpm.
 - Always stand to the side of the loader when moving transport pins. **Never stand under the loader unless the pins are installed in the upper holes on both sides.** Never force pins out of position, when the loader is fully raised pins can be moved easily.

DURING SERVICE & MAINTENANCE

- Before working on or near the 2660/2665 BALEBUSTER for any reason, including servicing, cleaning, unplugging or inspecting machine, use normal shut-down procedures unless instructed differently in this manual.
- Never work on or near 2660/2665 BALEBUSTER unless engine is shut off and flails stopped.
- Check periodically and tighten any loose bolts or connections.
- Use only replacement parts that are recommended by DuraTech Industries.
- If it is necessary to operate the tractor engine indoors for more than a few seconds, be sure to provide enough ventilation to remove the tractor exhaust fumes.
- Hydraulic fluid escaping under pressure can be invisible and have enough force to penetrate the skin. When searching for a suspected leak, use a piece of wood or cardboard rather than your hands. If injured, seek medical attention immediately to prevent serious infection or reaction.
- Relieve all pressure in the hydraulic system before disconnecting the hose or performing other work on the system. Make sure all connections are tight and the hose is in good condition before applying pressure to the system.

1.6 Towing/road transport

- Use good judgment and drive slowly over rough or uneven terrain.
- Be sure tractor brakes are properly adjusted and foot pedals are locked together.
- When preparing implement for transport, always use loader transport pins to secure bale loader in raised position. **Do not remove transport pins until hydraulic hoses have been charged and cylinder is fully extended.** Never force pins out of position, when the loader is fully raised pins can be moved easily.
- Check your state laws regarding the use of lights, slow moving vehicle signs, safety chain and other possible requirements.

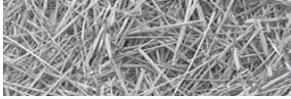


Section 2: Dealer preparation

2.1 Pre-delivery inspection

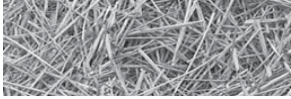
INSTRUCTIONS: Before delivering the machine, check the following items carefully and make corrections when necessary. Place an "X" in the box after each item has been checked and found to be acceptable.

- Check machine for missing items or damage in transit.
- Check for loose bolts or set screws.
- Check all hydraulics components for leaks or damage.
- Check oil level in chain case. (fill with hydraulic oil)
- Check lug bolts for tightness, torque to 85 to 90 Ft. lbs. (11.75 to 12.44 kg-m)
- Check for loose flail bolts, torque to 156 Ft lbs. (21.5 kg-m)
- Check tires for proper air pressure
- Check condition of tire rims.
- Check machine for proper lubrication.
- Check all chains for proper adjustment.
- Check all shields for installation and condition.
- Check condition of all decals.
- Check all phases of operation.



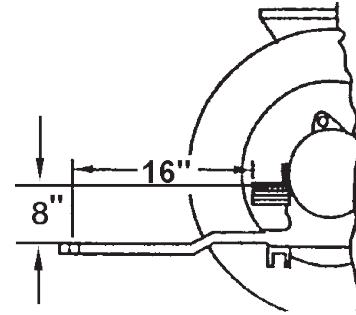
2.2 Shipping list and illustration for the 2660/2665 BALEBUSTER

ITEM	PART	QTY.	PART DESCRIPTION
1	2000514	1	BRG\PB\1-3/4\2BOLT\MALLEABLE
2	3600453	1	JOINT\44\1-3/4BORE\ASSY
3	3600459	1	PTO\252-21797\44R
4	4800003	38	BOLT\HEX\3/8X1
5	4800044	1	PIN\COT\5/32X1-1/2
6	4800068	3	BOLT\HEX\1/2X3
7	4800082	21	BOLT\HEX\1/2X1-1/2
8	4800210	1	BOLT\HEX\3/8X6
9	4800251	2	BOLT\HEX\1/2X2-1/4\NC
10	4800471	2	BOLT\HEX\1X7\NC
11	4800592	4	BOLT\HEX\1/2X3-1/4
12	4900001	45	NUT\HEX\1/2\NC
13	4900002	36	NUT\HEX\3/8\NC
14	4900014	18	NUT\PLCK\1/2\NC
15	4900127	8	NUT\PLCK\1\NC
16	5000001	31	WASH\FLAT\3/8
17	5000004	51	WASH\FLAT\1/2
18	5000006	53	WASH\LOCK\1/2
19	5000019	44	WASH\LOCK\3/8
20	6100028	4	2-1/4 COMP SPR.125 X .725
21	6100031	4	SPRING\COMP\1.072W25/32OD
22	6200020	3	KEY\SQ\3/8X2-1/4\HARDEND
23	7500170	1	HOSE MINDER
24	8101033	1	TINE\SQ\LEFTHAND
25	8101071	1	LATCH\SHLD
26	8101072	1	SHLD\PTO
27	8101073	1	BRKT\BRG\PTO\2650
28	8101074	1	SHFT\DRV\PTO
29	8101075	1	TINE\SQ\RIGHTHAND
30	8101076	1	MNT\SHLD\DRV



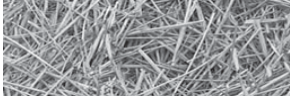
2.3 Assembly Required

1. Adjust the tractor drawbar so that the distance from the end of the P.T.O. shaft on the tractor to the center of the drawbar hitch pin hole should be 16" (41 cm.), and the height for the top of the centerline of the P.T.O. should be 8" Refer to figure at right.
2. Hitch the 2660/2665 BALEBUSTER to the tractor drawbar. Adjust the hitch so the machine is parallel with ground.
3. The hitch pin should be sized to prevent excessive movement and should extend through all components of the hitch. The pin should be secured with a hairpin clip or suitable device to prevent the loss of the pin.
4. Adjust the hitch so the machine will be parallel with the ground. Hitch the 2660/2665 BALEBUSTER to the tractor drawbar.
5. Raise the jack, pull the lock pin and store in the transport position.
6. Connect the two hydraulic hoses from the hydraulic cylinder to one set of hydraulic couplers on the tractor. Connect the two hydraulic hoses from the bale conveyor speed valve to the second set of hydraulic couplers on the tractor.
7. Extend the loader hydraulic cylinder and hold the loader in the fully raised position. Remove the loader transport pin and place them in the storage position, (the lowest hole in the bracket). Retract the loader hydraulic cylinder completely, so the loader is in the lowest position.



NOTE: Always stand to the side of the loader when moving the transport pins.

8. Mount tines #8100033 and #8101075 in the outer mounting brackets, this is the standard position. For small bales, use the inner brackets, and for the large bales use the outer brackets. Bolt in place using (2) 1x7 bolts #4800471 and lock nuts #4900127. See illustration on page 13.
9. Bolt Bearings Bracket #8101073 to mainframe with (4) ½ x 3-1/4 bolts #4800592, flat washer, spring #6100031 & lock nuts. Compress spring to 2" length.



10. Loosely assemble bearing #2000514 (with lock collar forward), on bracket using (4) $\frac{1}{2}$ x 2-1/4 bolts #4800251, with (4) flat washers, lock washers, and nuts.
11. Slip drive shaft #8101074 thru bearing. Mount U-Joint #3600459 on drive shaft and chain case shaft using (2) $\frac{3}{8}$ x 2-1/4 keys #6200020 and set $\frac{3}{8}$ set screws #4800356. Clamp U-Joint on shaft with (2) $\frac{1}{2}$ x 3 bolts #4800068, and lock nuts.
12. Tighten bearing and lock collar assembled in step 10 at this time.
13. Install drive shaft shield latch #8101072, spring #6100031, $\frac{5}{32}$ x 1-1/2 cotter pin #4800044, and $\frac{1}{2}$ flat washer. See illustration on page 13.
14. Loosely assembly drive shaft shield #8101072 and mounting bracket #8101076, using (2) $\frac{3}{8}$ x 1 bolts #4800003 flat washer lock washers and nuts.
15. Bolt drive shield assembly to chain case, with (1) $\frac{3}{8}$ x 6 bolt #4800210, and a lock nut. Shield must hinge freely, See illustration on page 13.
16. Lower shield over bearing stand. Tighten bolts assembled in step 14.
17. Mount P.T.O. shaft #3600459 and hardened key #6200020 on shaft #8101074 and lock set screws and tighten $\frac{1}{2}$ x 3 bolt #4800068 and lock nut.
18. Attach the P.T.O. shaft to the tractor P.T.O. shaft. Depress coupling and slide the coupling onto the splined shaft. Make sure the spring loaded safety catch is properly seated.
19. Bolt hose minders to #7500170 to Bearing Bracket use, (1) $\frac{1}{2}$ x1-1/2 bolts, flatwasher, lockwasher, nut.
20. Pull deflector and rack assembly out into operating position.
21. If required, install safety chain. Check local regulations regarding safety chain requirements.
22. Follow lubrication instructions found on pages 34-36 **before** use.
23. This machine is set up to operate on 1000 RPM 1-3/8" only!



Section 3: Operation

To ensure long life and economical operation, we highly recommend the operator of the 2660/2665 BALEBUSTER be thoroughly instructed in the maintenance and operation of the machine. There is no substitute for a sound preventative maintenance program and a well-trained operator.

Prior to starting the engine of the tractor, we recommend the operator make a visual inspection of the unit. This can be done as the lubrication is being carried out. Any items that are worn, broken, missing, or needing adjustment must be serviced accordingly before operating the 2660/2665 BALEBUSTER.

3.1 Pre-starting inspection instructions



WARNING: Before inspecting the machine, use the normal shut-down procedure on page 17.

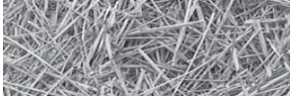
Check the following:

- Hydraulic components for leaks or damage.



WARNING: Hydraulic fluid escaping under pressure can be almost invisible and can have sufficient force to penetrate the skin. When searching for suspected leaks, use a piece of wood or cardboard rather than your hands. If injured, seek medical attention immediately to prevent serious infection or reaction.

- Check for loose bolts, worn or broken parts.
- Lug nuts for tightness.
- Condition of tire rims.
- Tires for proper air pressure. (40 PSI or 2.76 Bar)
- Installation and condition of flails.
- Rotor for twine build-up.
- Chains and belts for proper tension, and condition.
- Installation and condition of shields.
- Installation of slow-moving vehicle (SMV) sign
- Condition of decals.
- Condition of flails and for loose flail anchor bolts. Torque to 156 Ft lbs. (21.5 kg-m)



3.2 Normal shutdown procedure

For your safety and the safety of others, you must use the following normal shut-down procedure before leaving the tractor controls unattended for any reason, including servicing, cleaning, or inspecting the 2660/2665 BALEBUSTER. A variation of the following procedure may be used if so, instructed within this manual or your tractor manual or if an extreme emergency requires it.

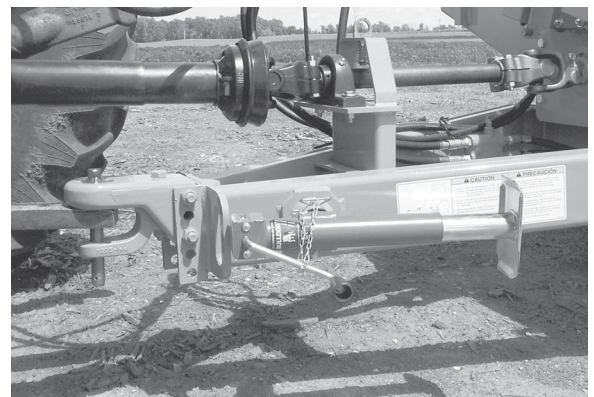
- a. Disengage P.T.O..
- b. Lower machine to ground level.
- c. Place transmission in park or set park brake.
- d. Shut off engine and remove key.
- e. Wait for all movement to stop.

3.3 Adjustments

3.3.1 Hitch Adjustment

The hitch is adjustable so that the machine is parallel to the ground when attached to the tractor drawbar. This is accomplished by removing the two mounting bolts and reinstalling them with the hitch at the proper height. The distance from the end of the P.T.O. shaft on the tractor to the center of the drawbar hitch pin hole should be 16" (41 cm.), and the height from the top of the drawbar to the centerline of the P.T.O, should be 8". Refer to page 27

The hitch pin should be of proper size to prevent movement and length to extend through all components of the hitch. The pin should be secured with a hairpin clip or suitable device to prevent the loss of the pin.



3.3.2 P.T.O. Shield



WARNING: Before lifting the P.T.O. shield be sure and follow the normal shut down procedure. Be certain that the tractor is shut off and all rotating components of the machine have come to a complete stop before lifting shield. Loose clothing is discouraged, and long hair should be restrained whenever working on P.T.O. shafts.

To raise the P.T.O. shield, unhook the hold-down straps near the front of the shield and lift the shield. It should pivot freely. If it does not pivot freely look for buildup of debris or other obstructions at the pivot point. Do not force the shield, as damage to the shield may occur. Once the shield is in the upright position it should automatically lock in the upright position.

To lower the shield, pull the locking pin to release the shield and lower it into working position. Once the shield is lowered hook the hold-down straps.

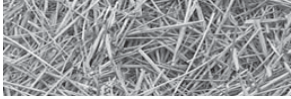
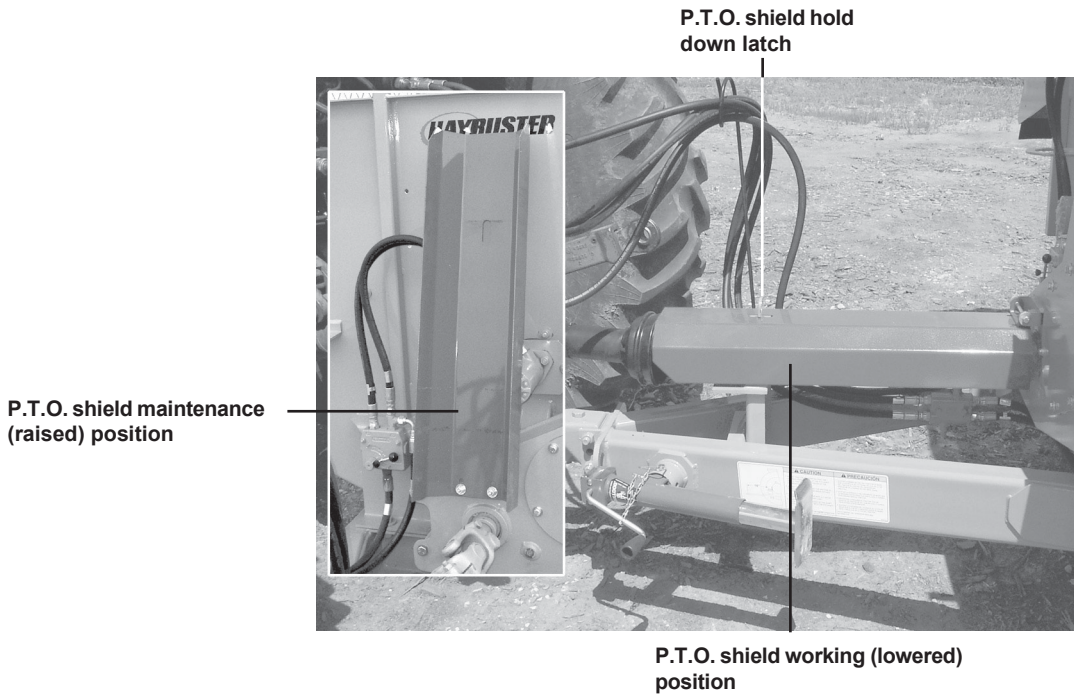


figure 3.1
 P.T.O. shield, working (lowered) position, latched maintenance (raised) position.

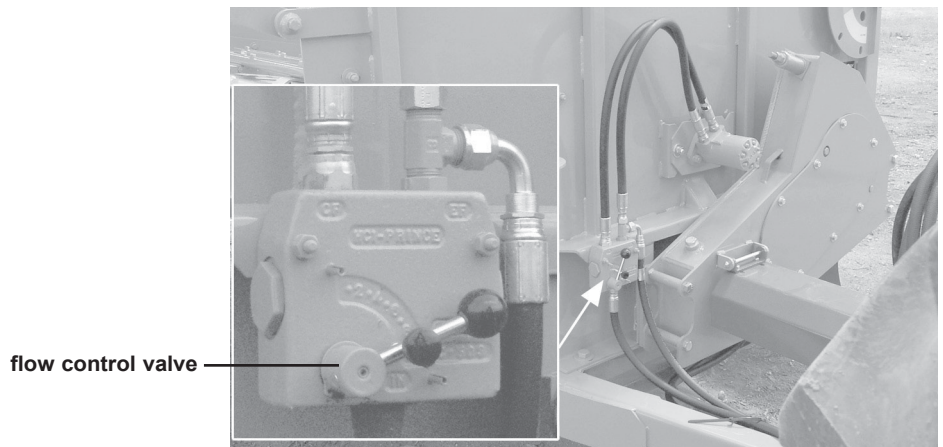


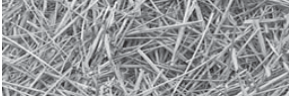
3.3.3 Conveyor Speed Control

Moving the lever on the conveyor speed control valve counterclockwise will slow the conveyor and make a finer product. Moving the lever clockwise will speed up the conveyor and make a coarser product.

For tractors with PFC type hydraulic systems, this valve should be set in the full open position (clockwise rotation). Conveyor speed can then be controlled directly from the tractor controls.

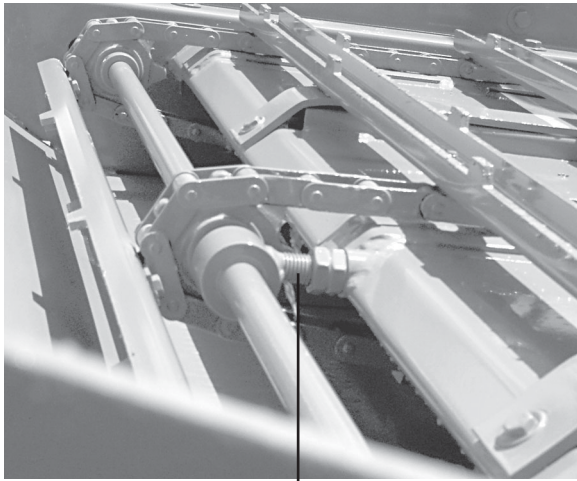
figure 3.2
 position of the low control valve



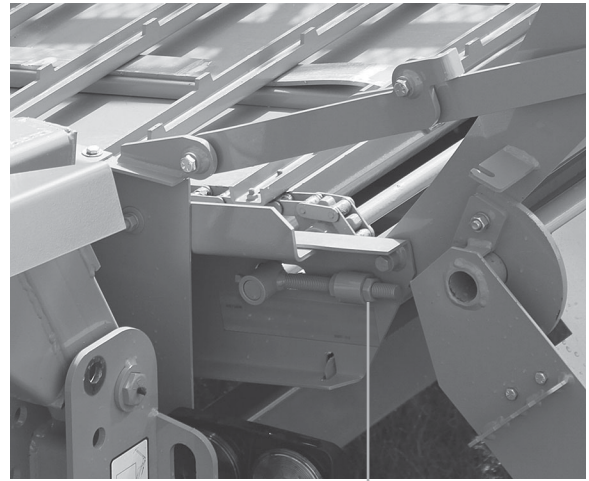


3.3.4 Conveyor Chain Adjustment

The three chain tensioning bolts should be adjusted to allow lifting the slats 1" to 1-1/2" above conveyor deck. These bolts are located on the front of the conveyor, at the center, and on the rear. Bolts must be adjusted evenly to prevent bowing the shaft.



center conveyor chain adjustment bolt

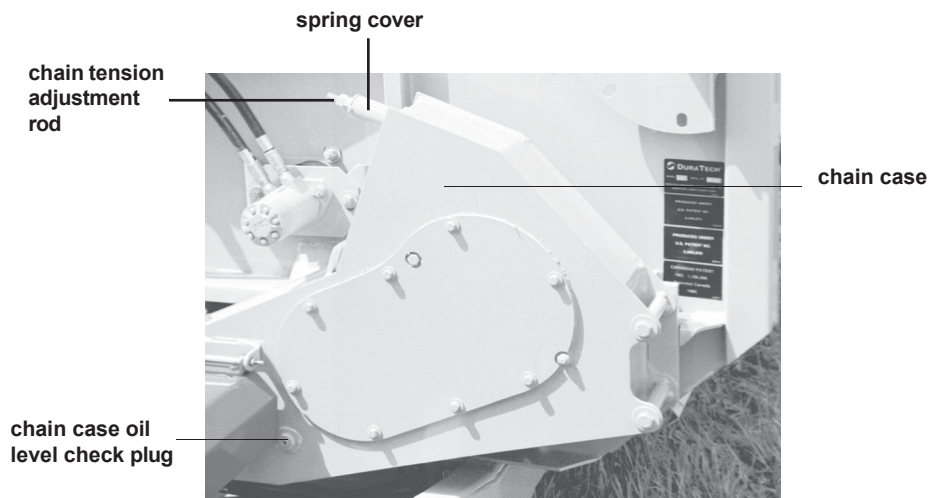


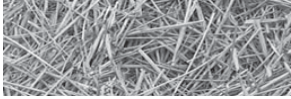
left conveyor chain adjustment bolt

3.3.5 Chain Case Adjustments.

It is normal for the chain to stretch. A spring-loaded idler sprocket maintains Chain tension. Adjusting the rod that protrudes through the top of the chain case changes chain tension. Chain tension can be checked by measuring the gap between the spring cover and the chain case. The correct dimension is 1/8in +/- 1/16in.

The chain case was filled with hydraulic oil when assembled, (10-weight motor oil can be used.) To check the oil level, remove the plug on the front of the chain case. The oil level is within 1/2in of the opening.





3.3.6 Slugbar Adjustment

Exposing less flail will create a finer cut and use less horsepower, while exposing more flails will produce a coarser cut.

This is accomplished by rotating the slugbar adjustment handle. Rotating the handle counterclockwise will expose more flail, clockwise will expose less flail. To rotate the handle, squeeze the lever to release the lock and rotate the handle to the desired position, and release the lever. Be sure that the lever is seated in one of the adjustment slots to ensure that slugbars stay properly adjusted.

With the handle rotated fully clockwise it will expose the least amount of flail (position 1).

Position	Approx. Flail Exposed
1	1"
2	1-1/8"
3	1-1/4"
4	1- 3/8"
5	1-1/2"
6	1-9/16"
7	1-5/8"
8	1-11/16"
9	1-3/4"



Positions 1 through 5 are for grinding hay. Positions 6-9 should only be used when spreading Dry Straw. (**DO NOT** use positions 6-9 if material is wet, has high moisture content or is frozen.)

3.3.7 Clean Out Door

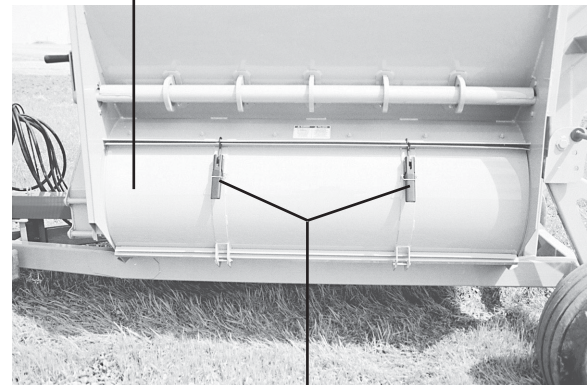


WARNING: Before opening the clean out door, be sure and follow the normal shut down procedure. Be certain that the tractor is shut off and all rotating components of the machine have come to a complete stop before opening clean out door.

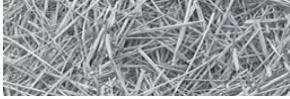
The clean out door allows for easy access to the rotor for flail changes and twine removal. To open the door, remove the lynch pins and release the latches. Lift the latch hooks and open the door.

To close the door, hook the latch hooks and close the handles. This should draw the door in tight. If the door is loose or can not be closed, check for obstructions. Hooks can be adjusted by screwing them in or out of the latch. Once the door is closed, replace the lynch pins.

clean out door in the closed position

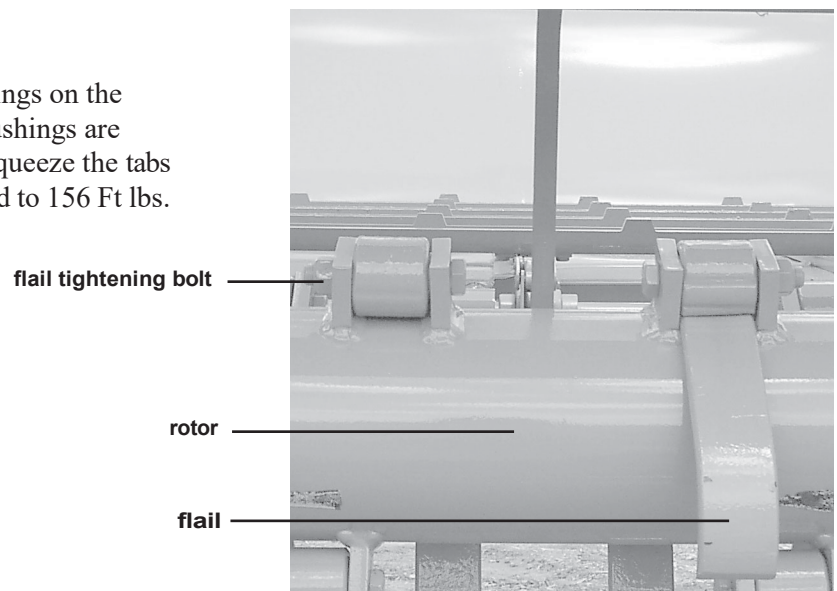


clean out door latches



3.3.8 Flails

Flails must be free to rotate about the bushings on the rotor. The bushings must not rotate. The bushings are held secure by tightening the bolts which squeeze the tabs against the bushing. Bolts should be torqued to 156 Ft lbs. (21.5 kg-m)



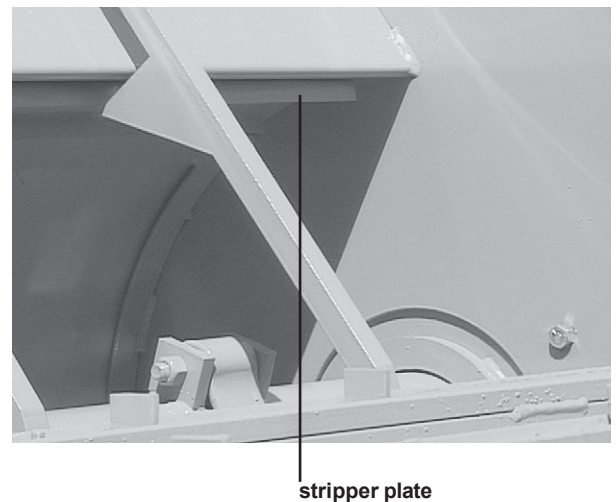
3.3.9 Stripper Plate

Stripper Plate for the 2660

Adding a stripper plate will produce a finer cut and removing plates will produce a courser cut.

For a finer cut, one or two additional stripper plates can be added. See pages 132-133 "Stripper Bar Installation" for installation information.

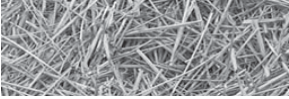
In applications such as land reclamation, where a very



Stripper Plate for the 2665

The three standard stripper plates will produce a finer cut, and removing plates will produce a courser cut.

In applications such as land reclamation, where a very course cut is desired, all stripper plates may be removed.

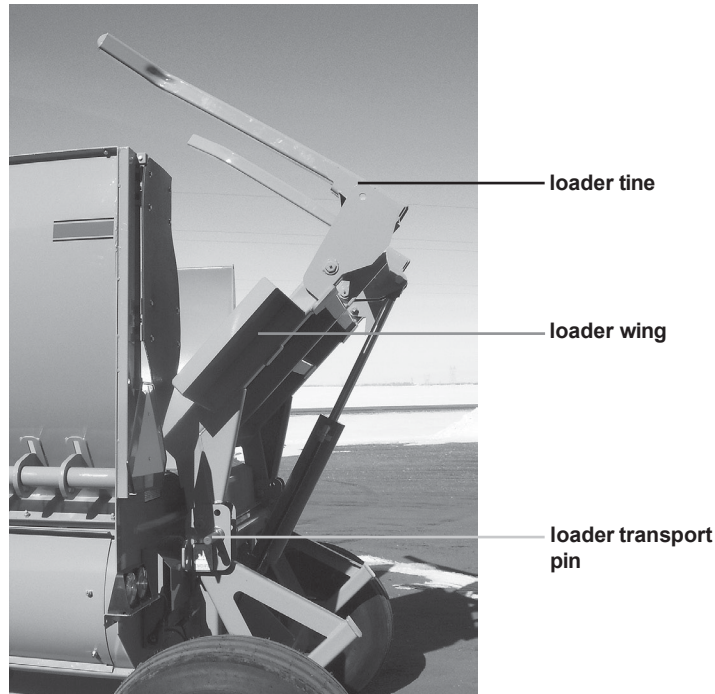


3.3.10 Loader

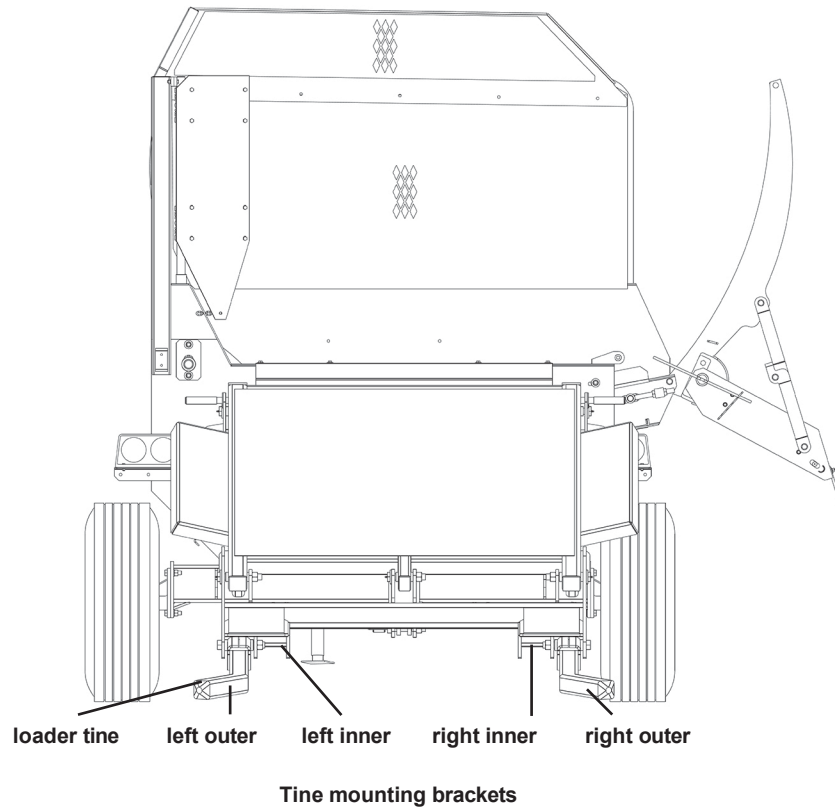
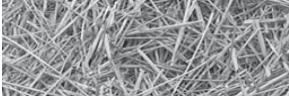


WARNING: Loader tines may swing down unexpectedly as they drop over center. They can move faster than you can react. Keep all bystanders away from the machine while loader is raised.

figure 3.3
Loader Tines



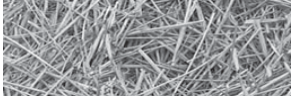
1. The loader has three settings for different size bales. For bales approximately 72" in diameter mount the loader tines in the outermost position. 60" bales require the loader tines to be positioned in the left outer slot and the right inner slot (left and right are determined while facing in the direction of travel). 48" bales require the tines to be positioned in the inner mounting slots (see page 23)
2. 48" bales use left inner and right inner mounting slots.
60" bales use left inner and right outer mounting slots (standard).
72" bales use left outer and right outer mounting slots.



3. These settings are accomplished by removing the pivot bolts and removing the tine. After the tine is reinstalled in the proper position, reinstall the pivot bolt and tighten. Be sure the bolt threads protrude through the entire nut so that the locking nut functions properly. Do not over tighten the pivot bolt, the tine should rotate freely about the pivot bolt.
4. The loader tines should pivot freely as the loader is raised and lowered. If the loader tines don't swing down into the loading position the bale will not load properly. With the loader fully raised the loader tines should swing down.



CAUTION: Watch for overhead hazards such as power lines.



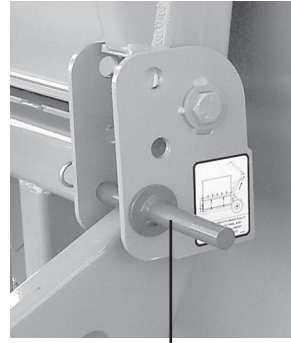
3.3.11 Loader Transport Pin



WARNING: Never stand under loader when removing transport pins. Do not attempt to force pins out, with the loader fully raised they can be easily removed.

The loader transport pins can be inserted into three positions:

1. Upper hole: Holds the loader in the fully raised storage position.
2. Middle hole: Holds the loader partly raised. This improves rear visibility and reduces wind drag during transportation.
3. Lowest hole: Holds the loader transport pin in storage position.



loader transport pin in storage position

3.3.12 Hydraulic Cylinder and Valve

All cylinder and valve hose connections should be tight and leak free. If the area near a hose connection becomes oily or dirty repairs should be made to seal the leak. Hoses should be free of cracks or cuts to ensure safe operation. Cylinder seal kits are available from your dealer to repair a leaky cylinder. Pin connections should be free of excessive wear. If pins become worn, they should be replaced. Also check yokes and mounts for cracks and wear.

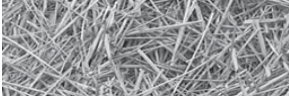


WARNING: Hydraulic fluid escaping under pressure can be almost invisible and can have sufficient force to penetrate the skin. When searching for suspected leaks, use a piece of wood or cardboard rather than your hands. If injured seek qualified medical attention immediately to prevent serious infection or reaction.

3.3.13 Tires & Rims

Tires should be inflated to 40 PSI and should be free of cuts or cracks. There should also be adequate tread and no visible cords, wires, or tread separation. Tires must also have proper load rating, speed rating and size.

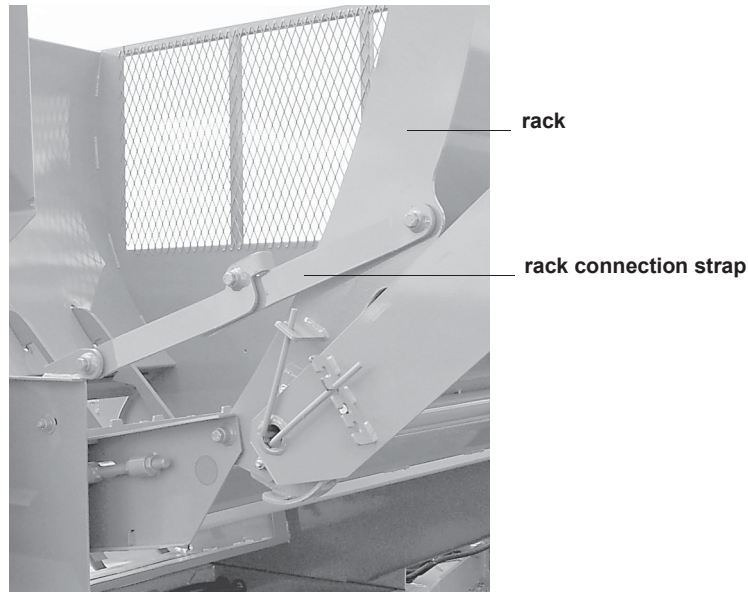
Rims must be free of cracks and rust pitting. Lug bolts must also be tight. Inspect the area around the lug bolts. If rust develops this is a sign of loose lug bolts. Check wheel bearings and seals, replace and grease as use requires.



3.3.14 Rack

The rack has two positions: transport and working. The rack should travel between the two positions freely under the operator's own power. All pivoting connections should be snug, but still allow the points to hinge freely. Inspect for cracked or excessively worn holes at the connections. The rack connection straps are designed to be self-folding and should not drop over-center. If the straps become bent or do not function properly, they should be replaced.

figure 3.4
rack in the working
position, rack
connection straps



3.3.15 Jack

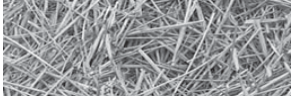
An adjustable jack is provided with the machine to support the hitch when the machine is disconnected from the tractor. The jack must only be used on firm, level ground or similar base to prevent it from sinking,

When unhooking the machine remove the jack pin and rotate the jack to the upright position and reinstall the pin. Crank the jack until the hitch is no longer supported by the drawbar of the tractor. The hitch pin can now be removed.



WARNING: Never use the jack without reinstalling the jack pin.

When hooking up the machine, install a proper hitch pin and secure it with a hairpin clip or comparable device, crank the jack until the foot of the jack is fully raised. Remove the jack, and place it in transport position.

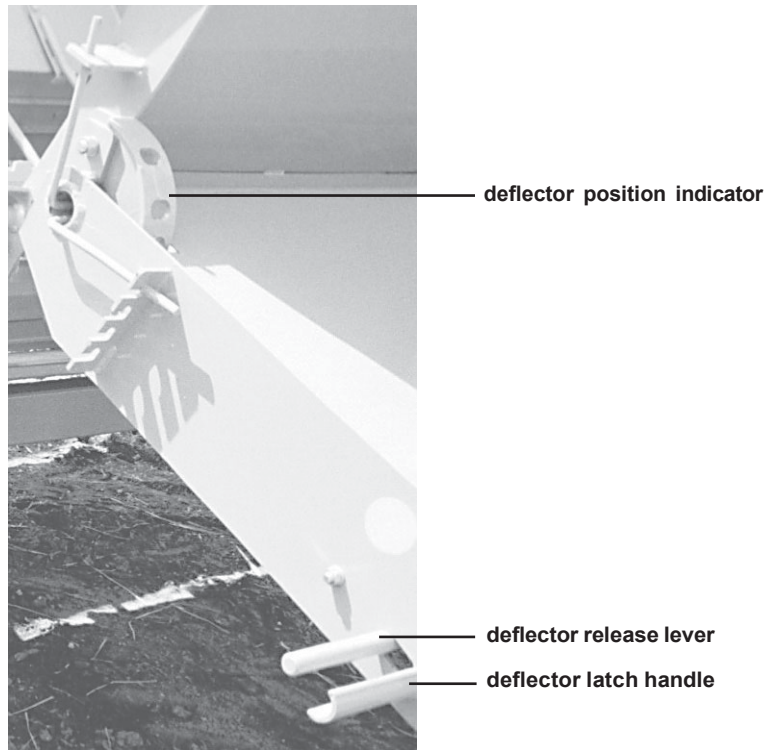


3.3.16 Changing distribution pattern

The deflector can be positioned for creating a windrow, spreading, bunk feeding, or stockpiling. Lower the deflector for a narrower windrow and raise the deflector for a wider spread.

To change the position, pull the release lever, Rotate the deflector to the desired position and release the handle. A wider deflector belt (PN 8100819) is available for bunk feeding or additional material control.

Figure 3.5
deflector adjustments-
deflector release lever
and deflector latch
handle.



3.4 Hitching the 2660/2665 BALEBUSTER



WARNING: Do not operate the 2660/2665 BALEBUSTER unless the tractor complies with the following requirements:

1. Tractor has a minimum of 65 horsepower.
2. Tractor has rollover protective structure and seatbelts.
3. Tractor's hydraulic system has two-way valves, and a minimum flow of 12 GPM @ 1500 psi.
4. To assure adequate braking and steering control, the tractor must have a weight greater than or equal to the weight of the 2660/2665 BALEBUSTER and any bales it will transport.

To hitch the 2660/2665 BALEBUSTER to a tractor, perform the following steps:

1. Adjust the tractor drawbar so that the distance from the end of the P.T.O. shaft on the tractor to the center of the drawbar hitch pin hole should be 16" (41 cm.), and the height for the top of the centerline of the P.T.O. should be 8" Refer to Figure 3.6
2. Hitch the 2660/2665 BALEBUSTER to the tractor drawbar. Adjust the hitch so the machine is parallel with ground.
3. The hitch pin should be sized to prevent excessive movement and should extend through all components of the hitch. The pin should be secured with a hairpin clip or suitable device to prevent the loss of the pin.
4. Raise the jack. Pull the lock pin and store in the transport position.
5. Attach the P.T.O. shaft to the tractor P.T.O. shaft. Depress coupling and slide the coupling onto the splined shaft. Make sure the spring-loaded safety catch is properly seated.
6. This machine is set up to operate at 1000 rpm only!
7. If required, install the safety chain. Check local regulations regarding safety chain requirements.
8. Connect the two hydraulic hoses from the hydraulic cylinder to one set of hydraulic couplers on the tractor. Connect the two hydraulic hoses from the bale conveyor speed valve to the second set of hydraulic couplers on the tractor.
9. If equipped with optional grain tank, connect the two hydraulic hoses from the grain tank to the third set of hydraulic couplers on the tractor.

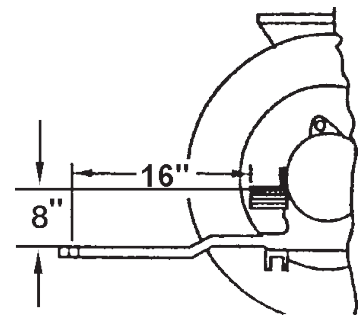
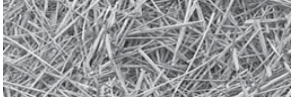


figure 3.6
safe P.T.O. distance



3.5 Unhitching the 2660/2665 BALEBUSTER

To unhitch the 2660/2665 BALEBUSTER, perform the following steps:

1. Follow the normal shut-down procedure.
2. Lower jack and secure. Raise the tongue off of the tractor draw bar.
3. Detach the P.T.O. shaft from the tractor.
4. Cycle the hydraulic control levers to release any pressure in the hydraulic hoses.
5. Detach the hydraulic hoses.
6. Remove the safety chain, if installed.
7. Remove the hitch pin.

3.6 Starting the machine



DANGER: After making all necessary hook-ups to tractor, be sure rotor chamber is clear of any solid objects. Make sure any bystanders are away from the 2660/2665 BALEBUSTER before engaging P.T.O., conveyor or loader. Flying objects can cause serious injury or death. Stay clear of discharge side of machine unless operator has stopped tractor engine and machine has stopped rotating. Failure to follow these instructions may result in severe injury or death.

To start the machine, perform the following steps:

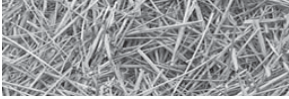
1. Unfold the rack into the working position. Adjust the deflector to desired position.
2. Steps 3 through 5 are performed with the tractor at idle, and the operator at the tractor's controls.
3. Engage the conveyor. Run the conveyor forward and then in reverse. Check to be sure the conveyor is working properly before attempting to shred a bale.
4. Raise the loader and remove transport pins.



CAUTION: Look out for overhead hazards such as power lines.



WARNING: Never stand under loader when removing transport pins. Do not attempt to force pins out, with the loader fully raised they can be easily removed.

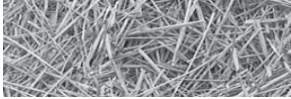


5. Engage the P.T.O..



CAUTION: Engaging the P.T.O. with the tractor engine speed above an idle may damage the drive line components and the tractor P.T.O..

6. Increase tractor engine speed until the P.T.O. speed reaches 1000 RPM. Listen for noise and watch for vibration. If necessary, follow the shutdown procedure, and make repairs before attempting to shred any bales.
7. Run the machine and cycle the loader to warm up the machine before shredding bales.



3.7 Loading the bale

The bale conveyor must not be running when a bale is lifted into the shredding chamber. (*step3-5*), dropping bales on to the moving conveyor slats may bend slats.



DANGER: If it is necessary to transport a second bale over uneven terrain, make sure any bystanders are away from the 2660/2665 BALEBUSTER. Serious injury or death could result if the bale rolls off the loader main frame loader supports.

STEP 1: Lower the bale loader part way down so you can still see the end of the tine fork. Use the fork as a guide and back up to the first bale, with the bale loader in its lowest position, back up until the bale is loaded on the main frame loader supports.

STEP 2: Slowly lift the bale, until the flat end is firmly against the table. If you need to travel to the second bale, transport with the bale loader on the main frame supports, use the bale as a guide to line up the second bale.

STEP 3-5: Slowly lift bale into the shredding chamber. Continue lifting the bale loader until it stops. The correct position for shedding a single bale will help prevent spillage.

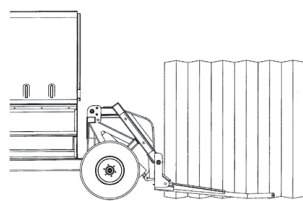


NOTE: If bale does not rotate forward the twine may be over the tine. Cut the twine at this time to prevent damage to the machine.

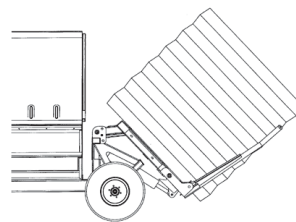
STEP 6: Load a second bale (if the first bale is on the main frame loader supports, use the bale as a guide to line up on the second bale). (If the first bale is in the shredding chamber use the conveyor and move the bale to the right so you can look past it on the left side). Back trailer until bale is loaded on the main frame loader supports. Slowly lift the bale off the ground keeping the weight of the bale on the main frame loader supports. This is the transport position for the second bale.

STEP 7: After the first bale is shredded, repeat steps, 3-5, loading and shredding the bale.

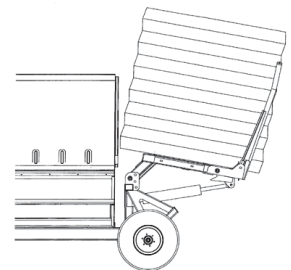
figure 3.7
loading the bale



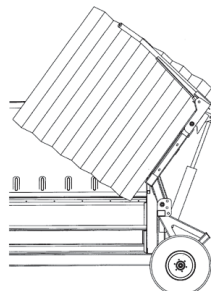
STEP 1



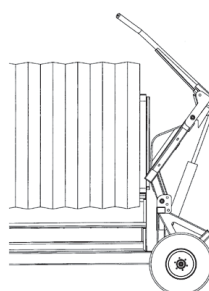
STEP 2



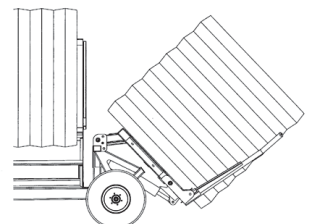
STEP 3



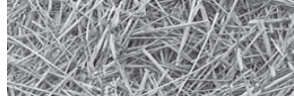
STEP 4



STEP 5



STEP 6



3.8 Shredding the bale



CAUTION: Avoid uneven terrain with bale loaded. Serious injury could result if machine is allowed to tip.



NOTE: Operating tractor at a P.T.O. speed of 1000 RPM enables the machine to do a better job of chopping forage and keeps a minimum of twine buildup on rotor. Twine buildup should be kept to a minimum to reduce fire hazard.

NOTE: Always operate slat conveyor to rotate bale in direction indicated by arrow on front shield. Reverse direction only if bale is lodged or hesitates to turn.

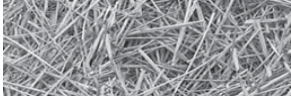


DANGER: If it is necessary to transport a second bale over uneven terrain, make sure any bystanders are away from the 2660/2665 BALEBUSTER. Serious injury or death could result if the bale rolls off the main frame loader supports.

With a bale loaded into the shredding chamber, perform the following steps:

1. If necessary, adjust the deflector to the desired position.
2. Position the 2660/2665 BALEBUSTER where you want to begin shredding the bale.
3. Engage the conveyor and move the bale to the right side of the machine. This will move the bale away from the rotor for startup.
4. Machine's hydraulic system performs two (2) functions. One function raises the bale lifter for loading bales into machine. The second function powers bale conveyor by means of a hydraulic motor. Decreasing speed allows flail knives to chop forage finer, increasing speed leaves forage coarser.
5. Engage the P.T.O. and increase tractor engine speed so that P.T.O. is at 1000 RPM.
6. Engage the bale conveyor and check to see if bale is rotating in the proper direction. The proper direction of bale rotation is indicated by the bale rotation decal located on the front of the 2660/2665 BALEBUSTER; rotation is counterclockwise.





3.9 Twine Removal

To remove twine from the rotor, open clean out door - refer to section 3.3.7. Using a hacksaw with a fine-tooth blade is one method of cutting the twine and works with all types of twine.

figure 3.8
removing twine from the
rotor with a fine-tooth
hacksaw



3.10 Transporting the 2660/2665 BALEBUSTER

This machine is designed to fold for ease of transportation and storage. The rack and deflector assembly folds inside of bale chamber.



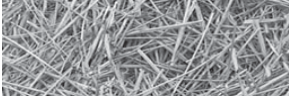
DANGER: Do not remove transport pins until the hydraulic hoses have been charged and the cylinder fully extended. Failure to follow these instructions may result in severe personal injury or death.



WARNING: Never stand under loader when removing transport pins. Do not attempt to force pins out, with the loader fully raised they can be easily removed.

To prepare the 2660/2665 BALEBUSTER for transport, perform the following steps:

1. Raise the loader and move the loader transport pins to the desired position. (Fully raised, partially raised) See section 3.3.11 "Loader Transport Pin" for more information.
2. Release the hydraulic pressure and lower the loader until it rests on the pins.
3. Pivot the deflector into the tub to insure eight feet four inches (8'4") towing width.



WARNING: When preparing machine for storage, use normal shut-down procedure.

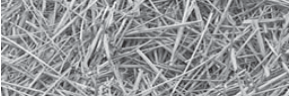
To prepare the 2660/2665 BALEBUSTER for storage, perform the following steps:

1. Clean all mud, dirt, grease and other foreign material from the exterior of the machine. Cut all twine off from around the rotor. Wash the complete machine. If washing the 2660/2665 BALEBUSTER with a high-pressure washer, keep the nozzle away from the sealed bearings. To inhibit rusting repaint places where bare metal is exposed.
2. If equipped with the optional grain tank, clean out the tank and auger.
3. Place the jackstand down and in the locked position. Block the rear axle up taking the weight off the tires, but do not deflate the tires. If possible, store the machine in a dry, protected place. If it is necessary to store the machine outside, cover it with waterproof canvas, plastic, or other suitable protective material.
4. Coat exposed lift cylinder rod with grease. Oil chains on conveyor. Lubricate thoroughly according to lubrication instructions. Repack wheel bearings.
5. Check the machine for any worn or broken parts. By ordering parts now, you will avoid delays when it is time to remove the machine from storage. When ordering parts always specify the machine serial number and the part number of the replacement part. Part numbers can be found in the parts section of this manual.

3.12 Removing the 2660/2665 BALEBUSTER from storage

To remove the 2660/2665 BALEBUSTER from storage, perform the following steps:

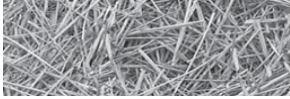
1. Remove all protective coverings.
2. Remove blocking from under 2660/2665 BALEBUSTER. Check tire pressure.
3. Lubricate machine in accordance with lubrication instructions found in this manual.
4. Check all hydraulic hoses for deterioration and, if necessary, replace them. Tighten any loose bolts, nuts and hydraulic fittings.
5. Follow pre-starting inspection instructions.



3.13 Digi-Star EZ 2500 – Setup and Calibration

To check or change the setup and calibration settings:

1. Press the [ZERO] and then the [ON] and hold both until (Setup) is displayed. (Setup) will change to the setup number 155010.
2. If this number is correct press the [ON]. If this number needs to be changed, press [TARE] to select the digit to be changed. The digit will be flashing when you can change it. Press [NET\GROSS] to change the digit. Press [ON] when the setup number is correct.
3. When (Cali) is displayed, the calibration number can be changed to 14105.
4. If this number is correct press [ON]. If this number needs to be changed, repeat step #2.



Section 4: Lubrication

The operator should make a check of all grease fittings on the unit before beginning to operate it so as to become familiar with their location and the correct service schedule.



WARNING: Use normal shut-down procedure (page 17) before lubricating machine.

4.1 Lubrication

Use only a high quality, #2 multi-purpose grease when lubricating the unit. Make sure all fittings and the nozzle of the grease applicator are clean before applying the grease. If any grease fittings are missing, replace them immediately.

Machine has 17 points to lubricate with grease gun **every fifteen (15) hours** of operating time.

1. Rotor bearings - 2 places.
2. P.T.O. universal joints - 3 places.
- 2A. As many as seven (7) pumps of grease are required to purge all cross and bearing lube points with fresh grease.
3. Telescoping shafts - 1 place.
- 3A. Telescoping members require enough grease to maintain a smooth sliding action. When telescoping members become contaminated with dirty grease, they should be inspected and cleaned to ensure smooth operation.
- 3B. Shield components should be lubed and inspected to ensure all components are in working condition or are replaced if damaged. A properly maintained shield will inhibit dirt from contaminating telescoping members.
4. Bale conveyor - 2 places.
5. Check the oil level in chain case every fifty (50) hours of operating time. (See section 3.3.5)
6. PTO stand (1)
7. Wheel bearings - repack annually.
8. Chain Case Bearings - 3 places.
9. Loader - 5 places.

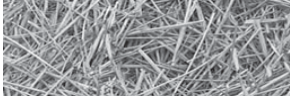


figure 4.1
P.T.O. lubrication

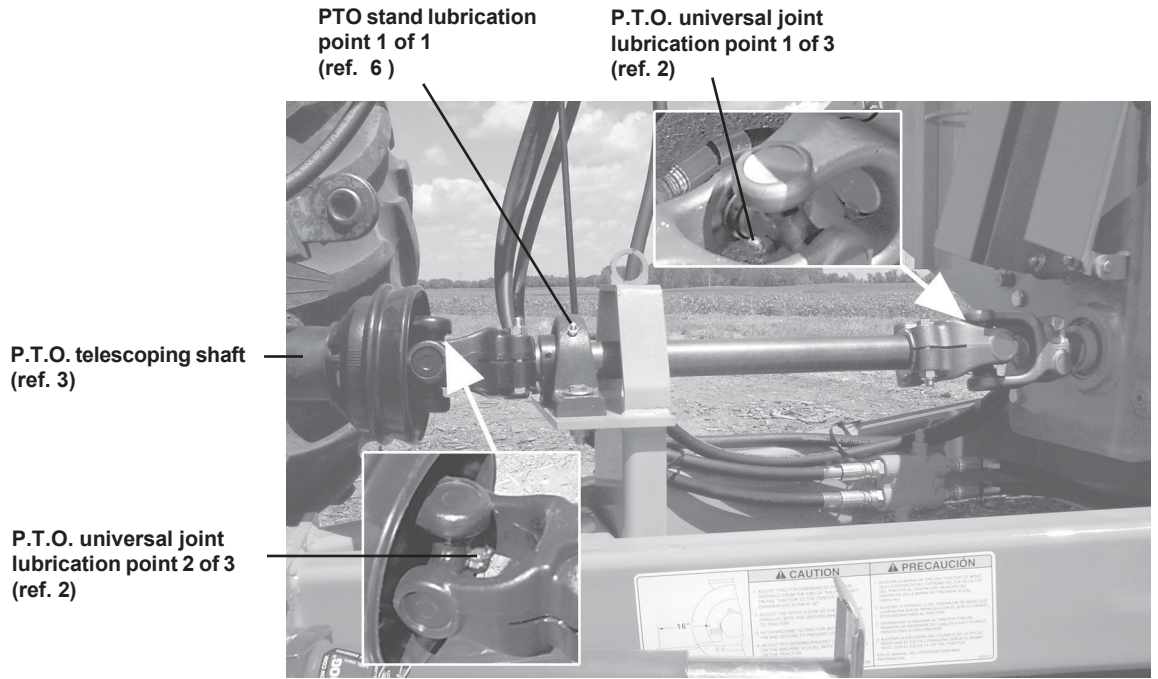


figure 4.2
rotor bearing lubrication point

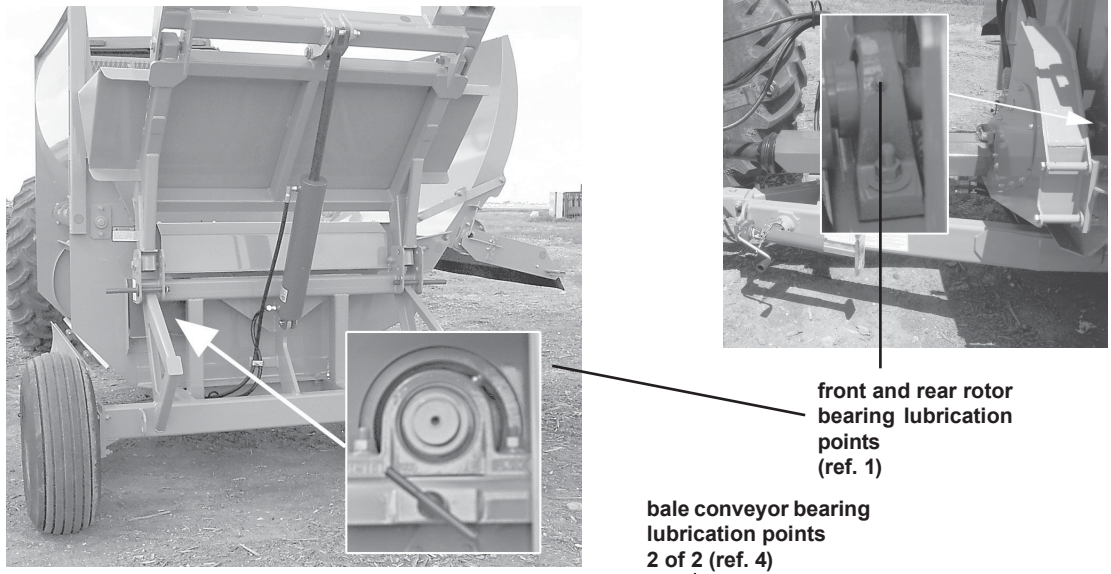
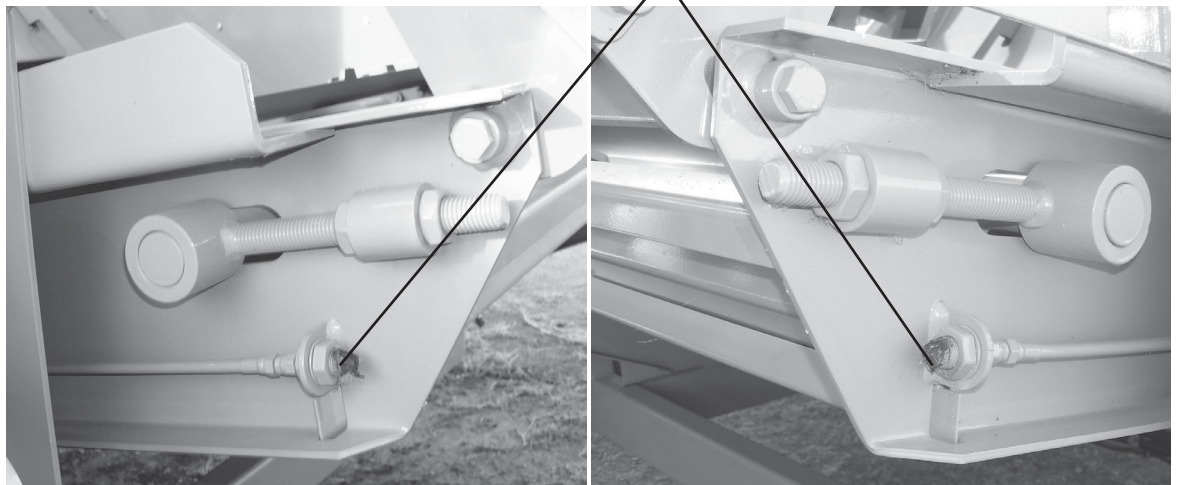


figure 4.3
bale conveyor bearing lubrication point



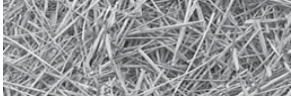


figure 4.4
chain case lubrication

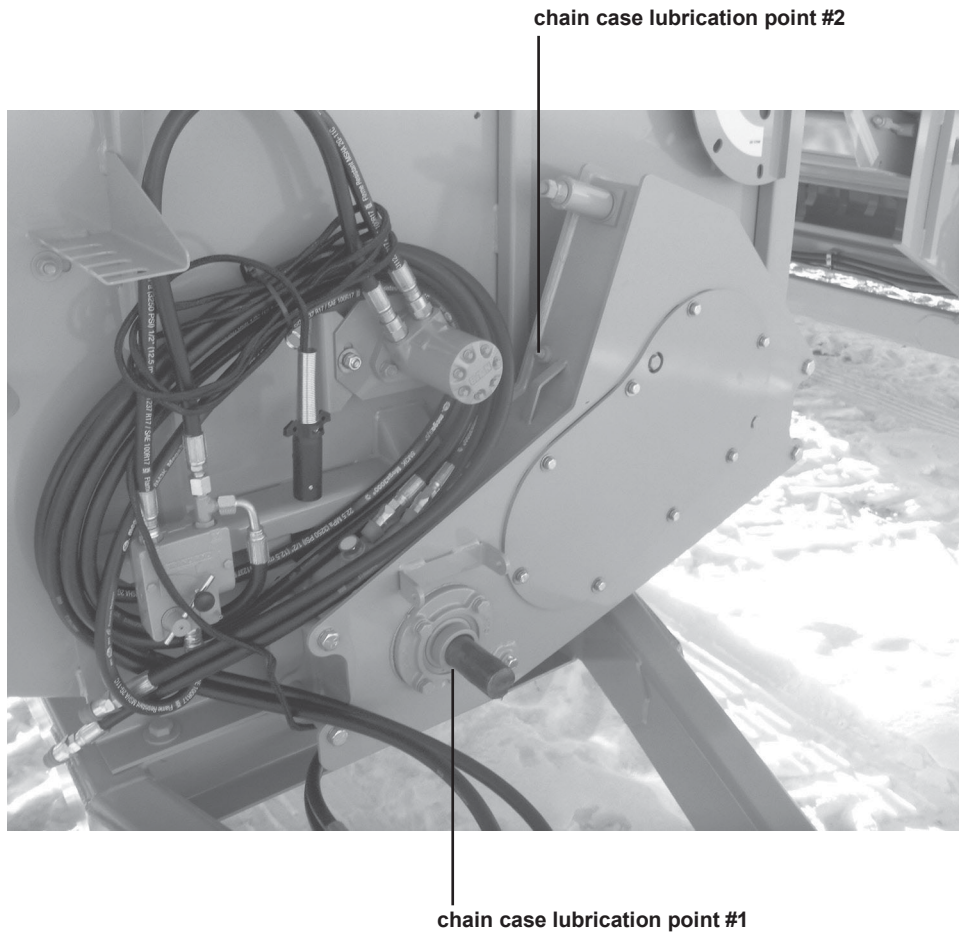
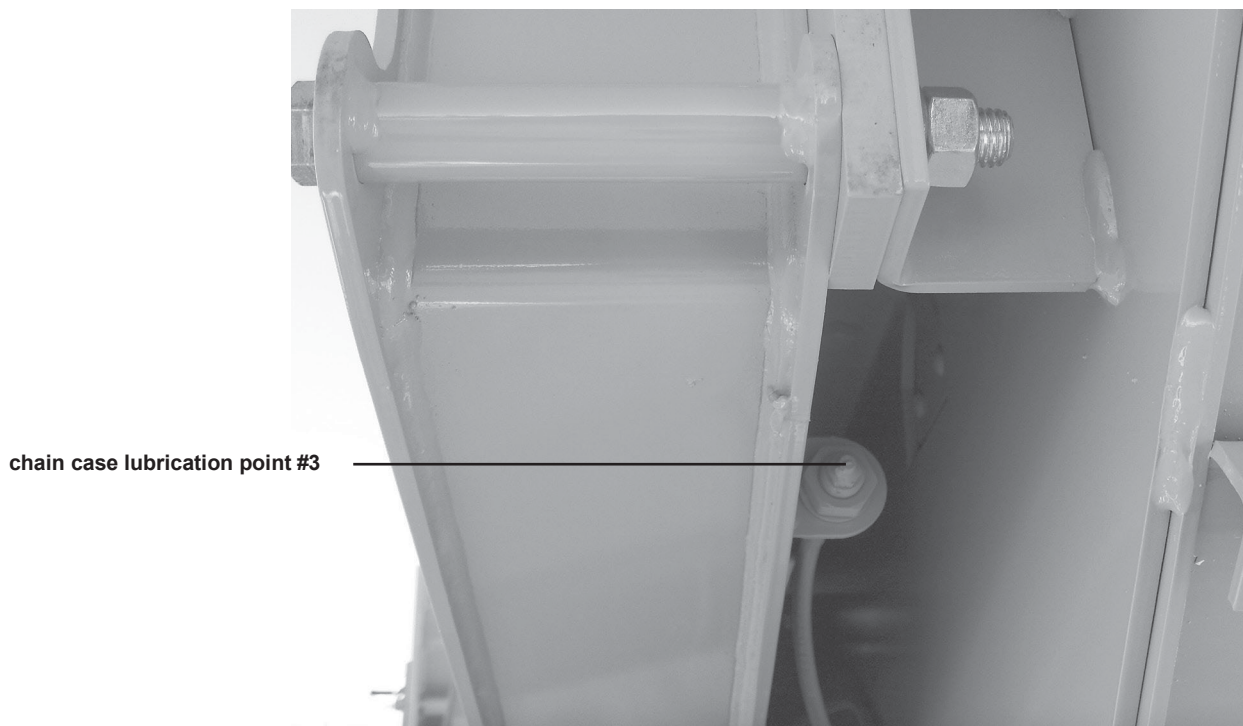


figure 4.5
chain case lubrication



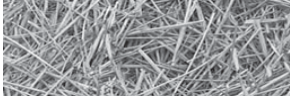


figure 4.6
roller chain lubrication



**roller chains- apply a
graphite lubricant to
roller chains after every
15 hours of use**

figure 4.7
loader lubrication points #1



loader lubrication #1

loader lubrication #2

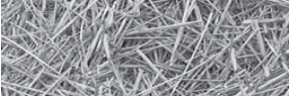


figure 4.8
loader lubrication points #2

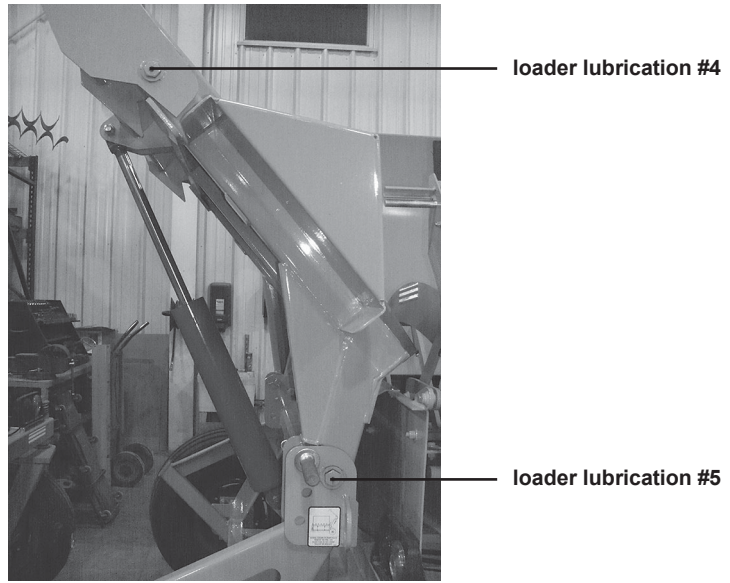
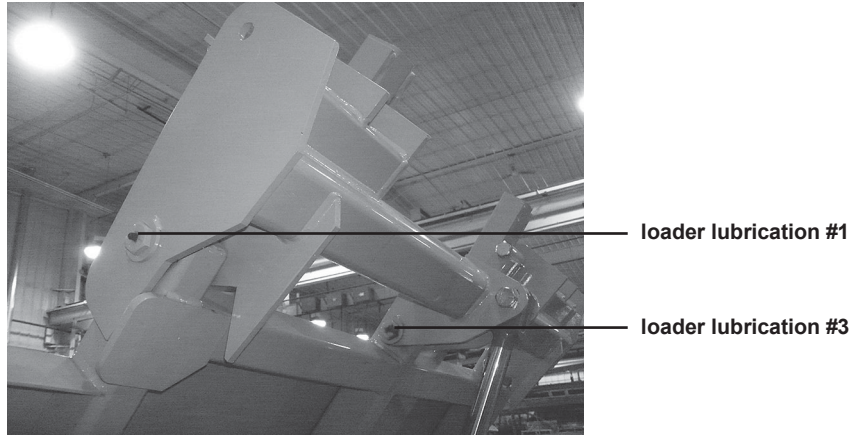
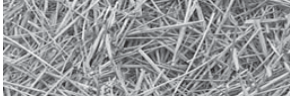


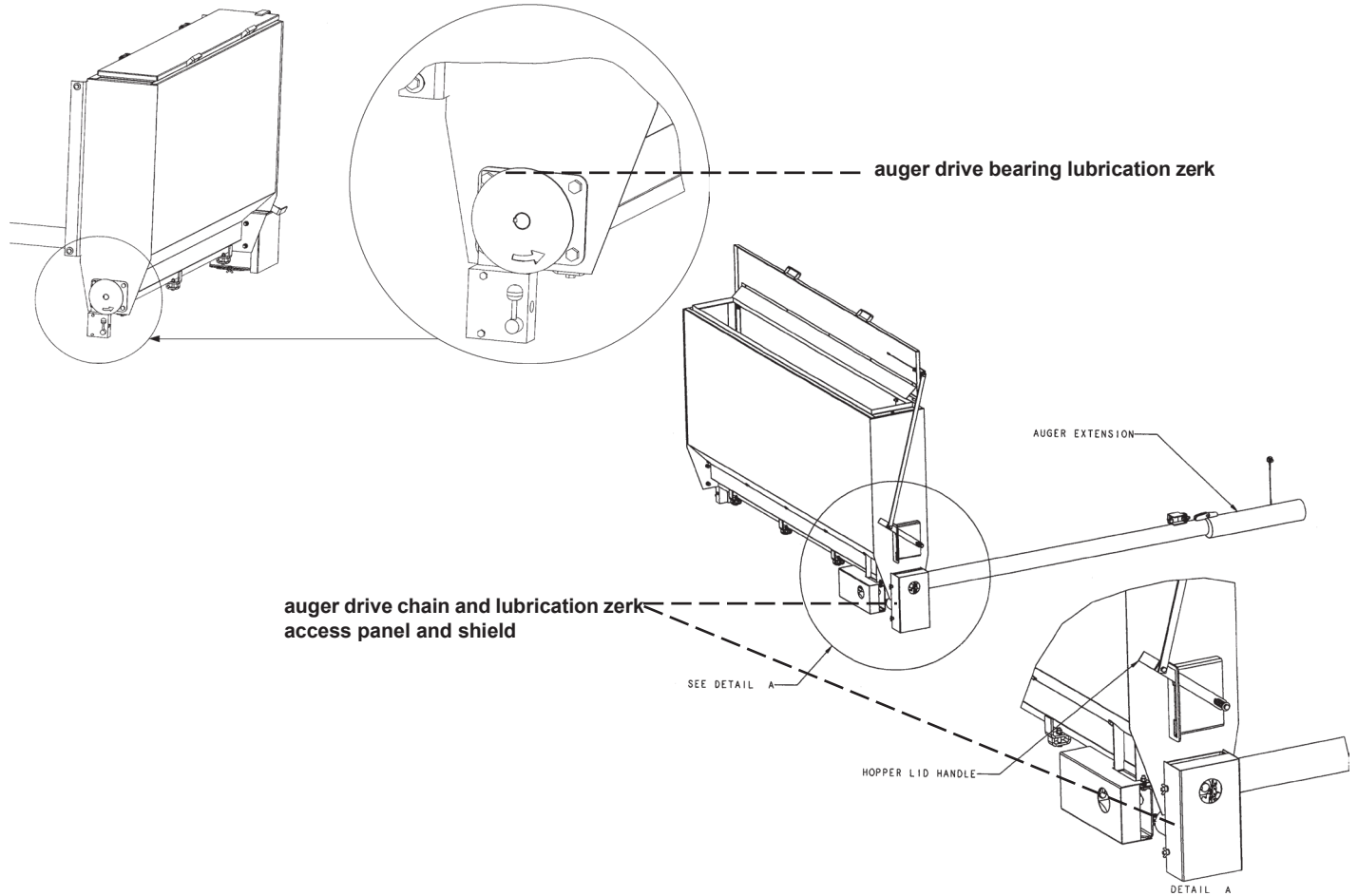
figure 4.9
loader lubrication points #3





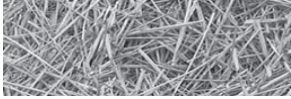
4.2 Grain tank (Option)

Lubricate the auger drive chain and auger bearings after every 15 hours of use.



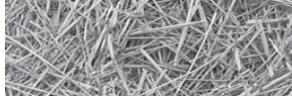
4.3 General appearance

Clean all mud, dirt, grease and other foreign material from the exterior of the machine. Cut all twine off the rotor. Wash the entire machine. If washing the 2660/2665 BALEBUSTER with a high-pressure washer, keep the nozzle away from the sealed bearings. Repaint places where bare metal is exposed.



Section 5: Troubleshooting

PROBLEM	CAUSE	REMEDY
1. No Capacity	1. Bale turning too slow.	1. Open conveyor speed control valve.
2. Bale Does Not Turn	1. Bale lodged in feeder	1. Reverse rotation of slat conveyor.
3. Excessive Vibration	1. Buildup of twine on rotor. 2. Broken flail. 3. Defective cylinder bearing. 4. Misaligned or worn PTO.	1. Remove all twine from rotor. 2. Replace flail. 3. Replace bearing. 4. Replace worn part or complete PTO.
4. Machine Will Not Lift Bale	1. Tractor hydraulic pressure too low. 2. Hydraulic oil leaking by piston in cylinder.	1. Check pressure. 2. Repair or replace hydraulic cylinder.
5. Forage Too Course	1. Conveyor speed too fast. 2. Slug bar set too low. 3. Stripper plate removed.	1. Decrease conveyor speed. 2. Raise slug bar to expose less flail. 3. Replace or add additional stripper plate.
6. Forage Too Fine	1. Conveyor speed too slow. 2. Slug bar set too high. 3. Extra stripper plate installed.	1. Increase conveyor speed. 2. Lower slug bar to expose more flail. 3. Remove one or all stripper plates.
7. Forage Blows Past Bunk When Feeding	1. Deflector too high.	1. Lower deflector. 2. Add optional 18" deflector belting #810819.



Section 6: 2660/2665 Balebuster Options

6.1 Grain tank Operation (Option)



WARNING: DO NOT climb into hopper, you could become trapped or injured by rotating augers. Before operating the "Grain tank" make sure all shields are in place.

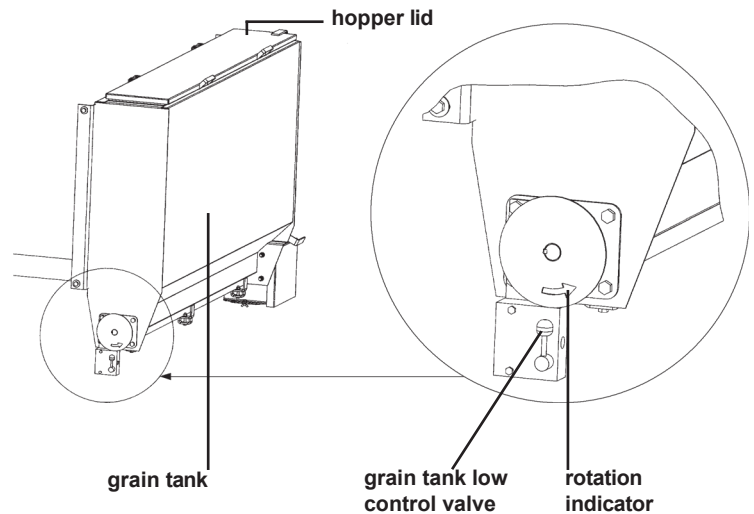
The grain tank is used for top-dressing feed supplements or can be use independently for supplement feeding.

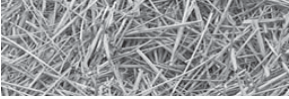
Hookup and Operation

Attach the hydraulic hoses to the tractor. Before filling the hopper with supplement, operate the augers to ensure that they rotate in the proper direction. There is an indicator arrow located on auger shaft at the front of the machine to show proper rotation and to serve as a visual indicator, that the hopper is in operation.

Follow the calibration procedure in this section, before feeding any supplement to ensure a proper feed ration.

The hopper should be filled using an auger. The hopper can also be filled manually, but from an elevated platform or other suitable structure.



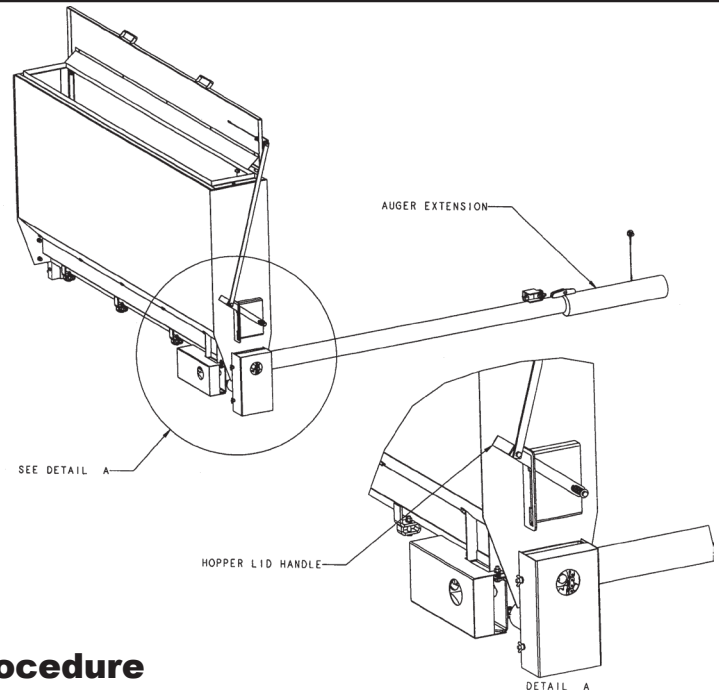


WARNING: DO NOT attempt to fill hopper by climbing on the machine.

The hopper lid can be opened and closed easily from the ground, by moving the hopper lid handle up for an open lid or down for a closed lid.

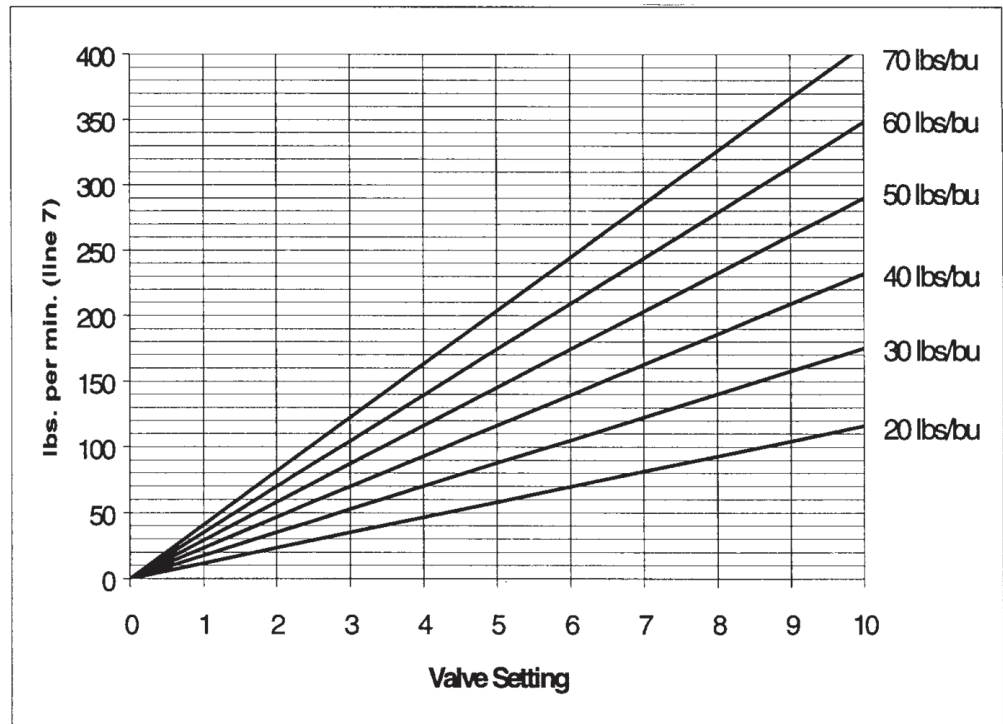
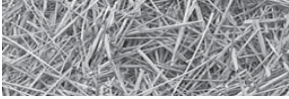
The auger extension tube lowers and raises in and out of operating position automatically when the rack is folded and unfolded.

The supplement may become lodged or compacted if left in hopper for extended periods of time. This may cause damage to the augers. Clean out the hopper and auger tubes before machine is put into storage. A removable clean-out plate is provided under the auger junction.



6.2 Grain tank (Option) Calibration Procedure

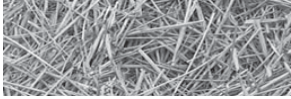
- Step 1.** Acquire the following information needed to fill out the calibration worksheet.
- A. The amount of hay (lbs.) that you feed per animal at each feeding time.
 - B. The amount of feed supplement (lbs.) that you feed per animal at each feeding time.
 - C. The average weight (lbs.) of the bales that are to be supplemented.
 - D. The average time (min.) required to process a bale that is to be supplemented.
 - E. The density (lbs. per bushel) of the feed supplement.
- Step 2.** Input the above information into the calibration worksheet (page 40) and calculate the "Required Hopper Feed Rate" to obtain the desired supplement to feed ratio.
- Step 3.** With the bale processor properly attached to the tractor operate the hopper making sure that both augers operate properly. While feeding and calibrating, the auger must rotate in the direction indicated by the arrow on the indicator wheel located at the front of the hopper.
- Step 4.** Using line 7 from worksheet set the flow valve at the baseline setting using the chart on next page.
- Step 5.** Fill the hopper with the feed supplement.
- Step 6.** With the tractor running at operating speed, operate the augers and collect the supplement, measuring the time required to fill a container. Adjust the flow valve up or down until the desired rate is obtained.



* This chart is for a baseline setting only and should not be considered accurate because of variances in tractor hydraulic lows and pressures. The hopper must be recalibrated if the tractor is changed.

Haybuster Grain Hopper Calibration Worksheet

		Example
Line Feed Ratio Per Animal		
1	Hay _____ (lbs.)	40 (lbs.)
2	Feed Supplement _____ (lbs.)	5 (lbs.)
3	Line 1 divided by Line 2 _____	8
Bale Processing Rate		
4	Bale Weight _____ (lbs.)	1200 (lbs.)
5	Process Time _____ (min.)	4 (min.)
6	Line 4 divided by Line 5 _____ (lbs./min.)	300 (lbs./min.)
Required Hopper Feed Rate		
7	Line 6 divided by Line 3 _____ (lbs./min.)	37.5 (lbs./min.)
8	Feed Supplement Density _____ (lbs./bushel)	50 (lbs./bushel)
9	Line 7 divided by Line 8 _____ (bushels/min)	0.75 (bushels/min)
10	Line 9 multiplied by 9.3 _____ (gal./min)	6.96 (gal./min)
11	60 divided by Line 10 _____ (sec/gal)	8.6 (sec/gal)



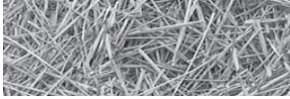
- Line 1.** The amount of hay that is fed to each animal, in pounds, on a daily basis.
Example: Each animal is fed 40 lbs. of hay each day.
- Line 2.** The amount of feed supplement that is fed to each animal, in pounds, on a daily basis.
Example: Each animal is fed 5 lbs. of feed supplement each day.
- Line 3.** Feed Ratio Per Animal: This result gives the amount of hay fed to each animal, in pounds, per 1 pound of feed supplement.
- Line 4.** The average weight of the bales that are to be processed while being supplemented
Example: The average weight of the bales is 1200 pounds.
- Line 5.** The average time it takes to process a bale that is to be processed while being supplemented.
Example: The average time it takes to process a bale is 4 minutes.
- Line 6.** Bale Processing Rate: This result gives the amount of hay processed, in pounds, per minute.
- Line 7.** Required Hopper Feed Rate: This is the amount of grain the hopper must feed out to maintain the desired "Feed Ratio Per Animal", in pounds of feed supplement per minute.
- Line 8.** The density of the feed supplement, in pounds per bushel.
Example: The density of the feed supplement is 50 pounds per bushel.
- Line 9.** Converts Line 7 (Required Hopper Feed Rate) into a feed rate of bushels of supplement per min.
- Line 10.** Converts Line 9 into a feed rate of gallons of supplement per min.
- Line 11.** Converts Line 10 into the time required to fill, a 1 gallon container, in seconds per gallon.

6.3 Hydraulic Deflector (Option)

The hydraulic deflector moves the rack and deflector from transport position to working position. Connecting the hydraulic hoses to the tractor gives the operator control of the deflector from inside the tractor.



Rack and deflector in transport position.

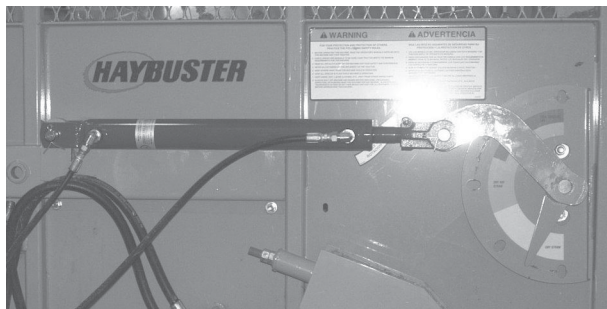


Rack and deflector in working position.



6.4 Hydraulic Slug Bar (Option)

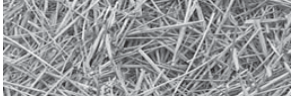
The hydraulic slug bar raises and lowers the slug bars as needed for your processing condition. Connecting the hydraulic hoses to the tractor gives the operator control of the slug bars from inside the tractor.



Hydraulic slug bar cylinder shown in the lowest position.



Hydraulic slug bar cylinder shown in the highest raised position.



6.5 Containment Flap (Option)

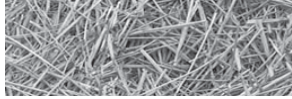


containment lap

6.6 Containment Extensions (Option)



containment extensions



Section 7: Maintenance

7.1 Welding Procedure

Balebuster Welding Procedures for Machines with the Weigh Scale Option

Precautions are required for welding on machines with electronic components. Electronic components including but not limited to electronic scales.

Proper welding procedures are necessary in order to avoid damage to the components, their sensors, and associated components.

When possible, remove the parts to be welded from the machine.

If not possible to remove the parts, follow the following procedure:



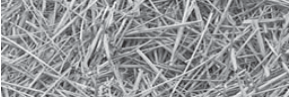
NOTE: Do not ground the welder to electrical components listed above, sensors, or wiring. Improper grounding can also damage bearings or hydraulic components. Clamp the ground cable from the welder to the part that will be welded. Place the clamp as close as possible to the weld. This will help reduce the possibility of damage.

1. Unhitch the Balebuster from the tractor.
2. Disconnect the connectors from the electronic scale. Move the connectors to a position that will not allow the connectors to accidentally move back and make contact with any of the pins.
3. Connect the welding ground cable directly to the part that will be welded. Place the ground cable as close as possible to the weld in order to reduce the possibility of welding current damage to bearings, hydraulic components, and electrical components.



NOTE: If the electrical/electronic components are used as a ground for the welder, or electrical/electronic components are located between the welder ground and the weld, current flow from the welder could damage the components.

4. Protect the wiring harnesses and hydraulic lines from welding debris and spatter.
5. Use standard techniques to weld the materials.



Appendix A: WARRANTY

Duratech Industries International Inc. warrants to the original purchaser for one year from purchase date that this product will be free from defects in material and workmanship when used as intended and under normal maintenance and operating conditions. This warranty is limited to the replacement of any defective part or parts returned to our factory in Jamestown, N.D., within thirty (30) days of failure.

This warranty shall become void if in DuraTech Industries International, Inc.'s, judgment the machine has been subject to misuse, negligence, alterations, damaged by accident or lack of required normal maintenance, or if the product has been used for a purpose for which it was not designed.

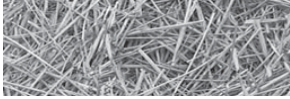
All claims for warranty must be made through the dealer which originally sold the product, and all warranty adjustments must be made through same.

This warranty does not apply to tires or bearings, or any other trade accessories not manufactured by DuraTech Industries International Inc.'s. Buyer must rely solely on the existing warranty, if any, of these respective manufactures.

DuraTech Industries International Inc. shall **not** be held liable for damages of any kind, direct, contingent, or consequential to property under this warranty. DuraTech Industries International Inc. cannot be held liable for any damage resulting from causes beyond its control. DuraTech Industries International Inc. shall **not** be held liable under this warranty for loss of crops, rental costs or any expense or loss for labor or supplies.

DuraTech Industries International Inc. reserves the right to make changes to the material and/or designs of this product at any time without notice.

All other warranties made with respect to this product, either expressed or implied, are hereby disclaimed by DuraTech Industries International Inc.



Appendix B: 2660/2665 Specifications

General specifications

Tractor H.P. Required..... Min. 65 H.P.
 Capacity 6 Ft. Long x 6-1/2 Ft. Dia., 2200 Lbs.
 1.83 m long x 1.98 m Dia., 997 kg
 Rotor Length..... 78" (1.98 m)
 Rotor Diameter 25" (43.5 cm)
 Rotor Bearings - Ball 2" (5.08 cm)
 Number Of Flails- Heat Treated 30
 Wheel - Taper Roller Bearings - Tire Size 14L x 16.1-8ply

Working Position 1 Bale Height 10' 10" (3.30 m)
 Length 14' 11" (4.55 m)
 Width 11' 0" (3.35 m)

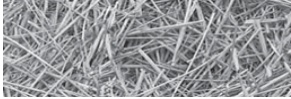
Working Position 2 Bales Height..... 10' 10" (3.30 m)
 Length 19' 7" (6.22 m)
 Width 11' 0" (3.35 m)

Transport Position:

Length..... 14' 11" (4.55m)
 Width..... 8' 4" (2.54 m)
 Height..... 11' 0" (3.35 m)
 Weight (2660/2665) 5,025 Lbs./5,150 Lbs. (2279 kg /2336 kg)
 P.T.O..... 1000 RPM
 Dual Hydraulics (single hydraulic system optional)..... 1500 psi (103 bar)
 Cylinder 4-1/2" x 24" Double Acting

Options

- Hydraulic Deflector
- Containment Extension
- Containment Flap
- Wide Deflector Belt
- Fender (Use with highway tires only.)
- Grain Tank
- Scale



Appendix C: Grain tank (Option) Specifications

Option Wt.	650 lbs (approx)
Hopper Capacity	24 bu
Max Weight Capacity	1300 lbs
Max supplement Delivery rate	3.5 bu/min
Hyd. Press. Req	1500 psi
Hyd. Flow Req.....	8 gpm





2660/2665™ BALEBUSTER

2660-Serial Number 2615000160 & UP



2665-Serial Number 2615000165 & UP

Parts Reference



DuraTech Industries International Inc. (DuraTech Industries) has made every effort to assure that this manual completely and accurately describes the operation and maintenance of the 2660 and 2665 BALEBUSTERS™ as of the date of publication. DuraTech Industries reserves the right to make updates to the machine from time to time. Even in the event of such updates, you should still find this manual to be appropriate for the safe operation and maintenance of your unit.

This manual, as well as materials provided by component suppliers to DuraTech Industries are all considered to be part of the information package. Every operator is required to read and understand these manuals, and they should be located within easy access for periodic review.

 &  are registered trademarks of DuraTech Industries International, Inc. 2660 BALEBUSTER and 2665 BALEBUSTER are trademarks of DuraTech Industries International, Inc.



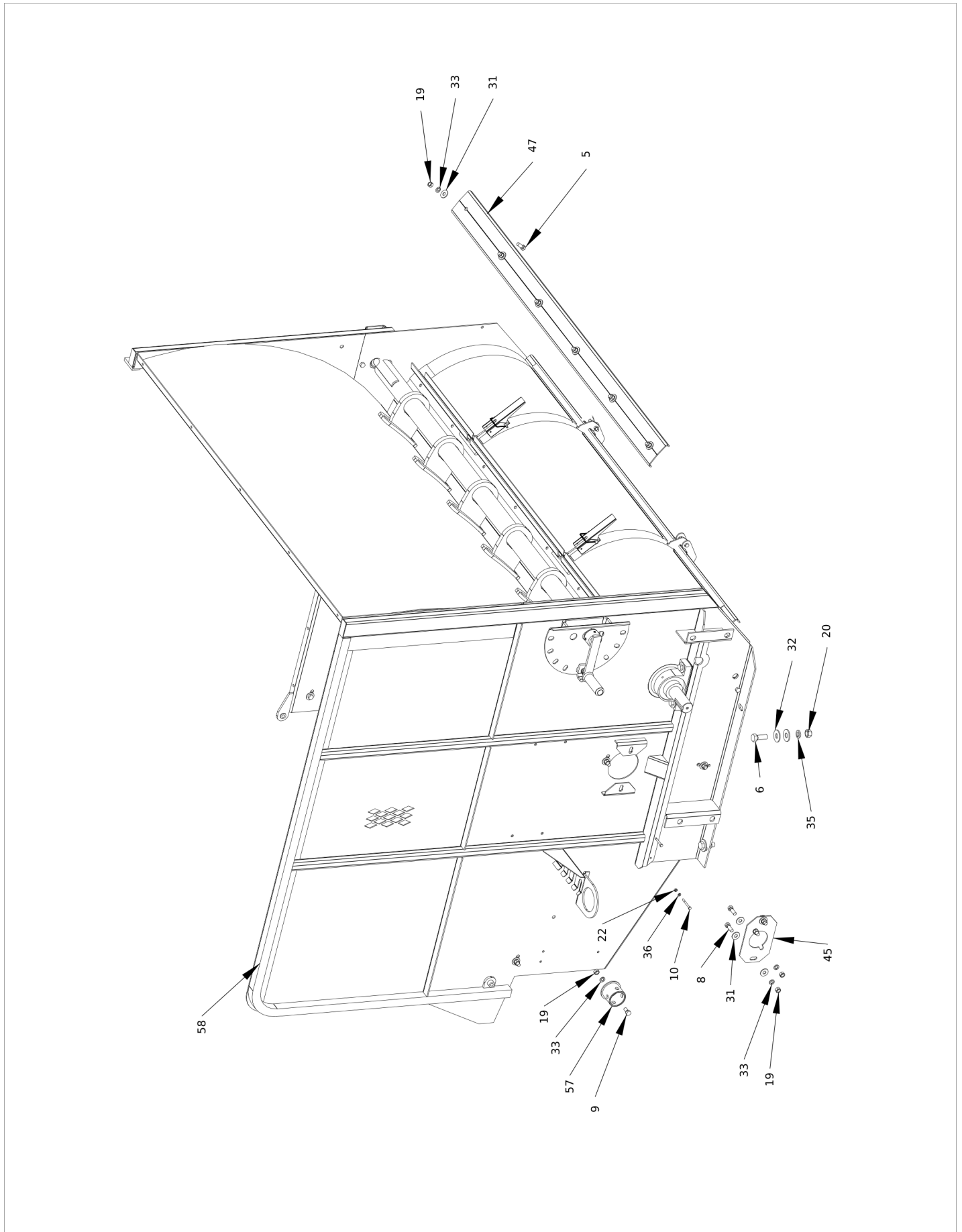


2660/2665 Balebuster Parts Reference

2660 Shredder Assembly-Front	1
2660 Shredder Assembly-Door	5
2660 Shredder Assembly-Slugbar	9
2660 Shredder Assembly-Rotor (for SN 0001-0005)	13
2660 Shredder Assembly-Rotor (for SN 0006 & Up)	15
2660 Shredder Assembly-Floor Pan	19
2665 Shredder Assembly-Front	23
2665 Shredder Assembly-Door	25
2665 Shredder Assembly-Slugbar	27
2665 Shredder Assembly-Rotor (for SN 0001 thru 0005)	29
2665 Shredder Assembly-Rotor (for SN 0006 and Up)	31
2665 Shredder Assembly-Floor Pan	33
2660/2665 Rear Shield	35
Manual Canister Assembly	37
2660/2665 Loader Mount and Tines Assembly	39
2660/2665 Rack and Deflector Assembly	41
2660/2665 Conveyor Assembly (for SN 0001 thru 0005)	43
2660/2665 Conveyor Assembly (for SN 0006 and up)	47
2660/2665 Drive Chain Assembly (for SN 0001 thru 0005)	51
2660/2665 Drive Chain Assembly (for SN 0006 and Up)	57
2660/2665 Standard Driveline Assembly	63
2660/2665 Constant Velocity Driveline Assembly	65
2660/2665 Mainframe Assembly	67
2660/2665 Wheel and Bearing Assembly	69
3600459 PTO Assembly	71
3600684 PTO Assembly	73
2660/2665 Hydraulic Hoses and Fittings	75
3900025 Orbit Motor Assembly	77
4000331-Flow Control Valve	79
2660/2665 Hydraulic Rack and Deflector	81
Optional Hydraulic Slugbar	83
2660/2665 Optional Containment Extensions	85
Optional Wide Deflector Belt	87
2660 Taillight Std. Mounting to SN 2120/2665 Taillight Std. Mounting to SN 0722	89
2660 Std. Taillight Mounting for SN 2121 to 2395/2665 Std. Taillight Mounting for SN 0723 to 0825	91
2660 Std. Taillight Mounting for SN 2396 and Up/2665 Std. Taillight Mounting for 0825 and Up	93
5701079 - Shredder Taillight Schematic	95
5701296 - Shredder Rectangular Taillights Wiring Schematic	96
Optional Fenders	97
2660/2665 Optional Fender Mounted Round Taillights	99
2660/2665 Optional Fender Mounted Rectangular Taillights	101
Optional Grain Tank Assembly	103
Optional Grain Tank Hydraulic Assembly	111
2660 Optional Stripper Bar Installation/2665 Stripper Bar Installation Standard	115
Optional Weigh Scale-Load Cell	117
Optional Axle Extensions	119
2660/2665 Decals	121
2660/2665 Decal Locations	123
2660/2665 Decal Locations	124

2660 Shredder Assembly-Front

2660/2665 Balebuster Parts Reference



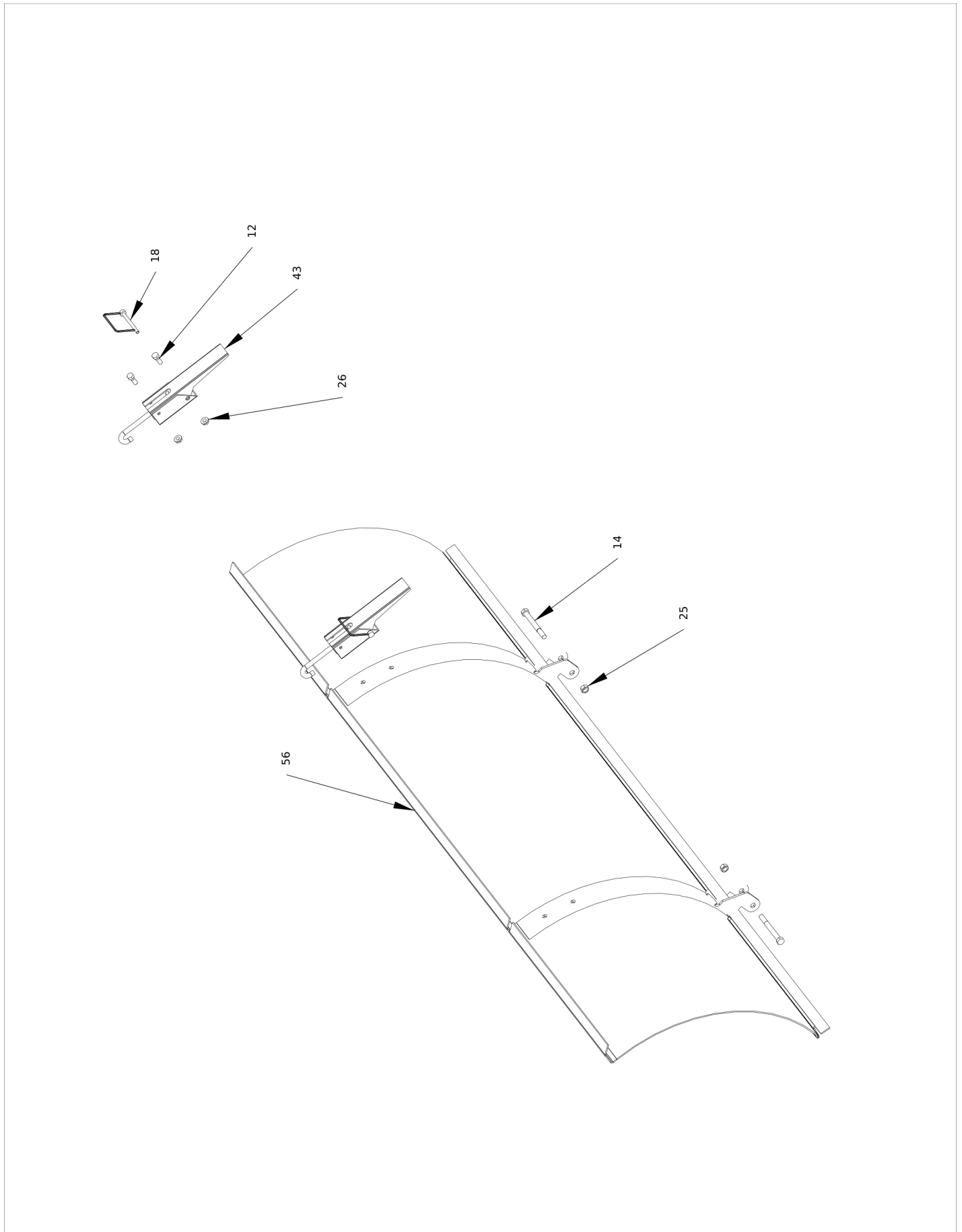
2660 Shredder Assembly-Front

Item	Part No.	Name	Remarks	Qty	Uom
1	2000510	BRG\PB\2\2BOLT		2	EA.
2	8101462	SHM\16GA\BRG\RTR		2	EA.
3	8101631	SHM\10GA\BRG\RTR		2	EA.
4	2000813	CLLR\SHFT\1-1\2\SET		1	EA.
5	4800018	BOLT\HEX\1\2X1-1\4		10	EA.
6	4800033	BOLT\HEX\3\4X2		4	EA.
7	4800079	BOLT\HEX\5\8X2-1\2		4	EA.
8	4800082	BOLT\HEX\1\2X1-1\2		14	EA.
9	4800085	BOLT\HEX\1\2X1		1	EA.
10	4800101	BOLT\HEX\1\4X2-1\2		2	EA.
11	4800143	SCR\SET\ALN\3\8X3\8\NC		2	EA.
12	4800147	BOLT\HEX\5\16X7\8		4	EA.
13	4800178	BOLT\HEX\1\2X1-3\4		4	EA.
14	4800197	BOLT\HEX\3\8X3-1\2		2	EA.
15	4800456	PIN\RLLD\3\16X1-1\8		1	EA.
16	4800483	BOLT\CRG\5\8X2\NC		5	EA.
17	4800598	BOLT\HEX\5\8X4\NF\GR8		30	EA.
18	4800911	PIN\LYNCH\1\4X2-1\2\		2	EA.
19	4900001	NUT\HEX\1\2\NC		27	EA.
20	4900004	NUT\HEX\3\4\NC		4	EA.
21	4900005	NUT\HEX\5\8\NC		4	EA.
22	4900009	NUT\HEX\1\4\NC		2	EA.
23	4900012	NUT\TPLCK\5\8\NC		5	EA.
24	4900014	NUT\TPLCK\1\2\NC		2	EA.
25	4900023	NUT\TPLCK\3\8\NC		3	EA.
26	4900108	NUT\FLG\SERR\5\16\NC		4	EA.
27	4900179	NUT\TPLCK\RTR\5\8\NF\GR9		30	EA.
28	5000001	WASH\FLAT\3\8		2	EA.
29	5000002	WASH\FLAT\5\8		8	EA.
30	5000003	WASH\LOCK\5\8		4	EA.
31	5000004	WASH\FLAT\1\2		30	EA.
32	5000005	WASH\FLAT\3\4		8	EA.
33	5000006	WASH\LOCK\1\2		27	EA.
34	5000008	WASH\MACH\1-1\2\DX10GA\NR		1	EA.
35	5000012	WASH\LOCK\3\4		4	EA.
36	5000024	WASH\LOCK\1\4		2	EA.
37	5200012	FLAIL\BB\8		30	EA.
38	6100002	SPRING\COMP\072W\11\16OD\2-1\8LONG		1	EA.

This page intentionally left blank

2660 Shredder Assembly-Front

Item	Part No.	Name	Remarks	Qty	Uom
39	6100031	SPRING\COMP\072W\25/32OD		1	EA.
40	6200021	KEY\SQ\3/8X1-1/2\HARDEND		1	EA.
41	7500223	BUSH\FLAIL\1-1/4X.687x2-1/8L		30	EA.
42	7500736	GRIP\HAND\1X4-1/2\FLG		1	EA.
43	7501045	LATCH\ADJ\OTC\4" GRIP		2	EA.
44	7501050	PLATE\SICKLE		2	EA.
45	8100036	MNT\MTR\HYD		1	EA.
46	8100763	ADJUSTABLE\SLUGBAR		5	EA.
47	8100793	CHNNL\STRIPPER\SHREADER		opt.	EA.
47a	8101511	CHNNL\STRIPPER\OPTION		opt.	EA.
48	8100877	LATCH\SHLD\BRG\REAR\RTR		1	EA.
49	8100879	MNT\SHLD\REAR\BRG\RTR		1	EA.
50	8101038	BRKT\INDEX\SLUGBAR		1	EA.
51	8101039	BRKT\BRG\SLUGBAR		1	EA.
52	8101050	BRKT\HANDLE\INDEX\SLUGBAR		1	EA.
53	8101051	BRKT\MNT\HANDLE\SLUGBAR		1	EA.
54	8101094	SHAFT\SLUGBAR\2650		1	EA.
55	8101313	PAN\DISH\ADJ		1	EA.
56	8101512	DOOR\SHRDR\2650\71-1/4"		1	EA.
57	8101748	BRKT\STRGJACK		1	EA.
58	8101857	FRM\SHRDR\RH\2660		1	EA.
59	8101890	RTR\FLAIL\2"SHFT\HVY		1	EA.
60	8101894	BRKT\BRG\2"\REAR\RTR		1	EA.
61	8101951	SHLD\2"BRG\REAR\RTR		1	EA.
CA	8101860	SHRDR\ASSY\2660			EA.
NS	3700830	HOSE\LUB\1/8X16\MPS-MPS		1	EA.



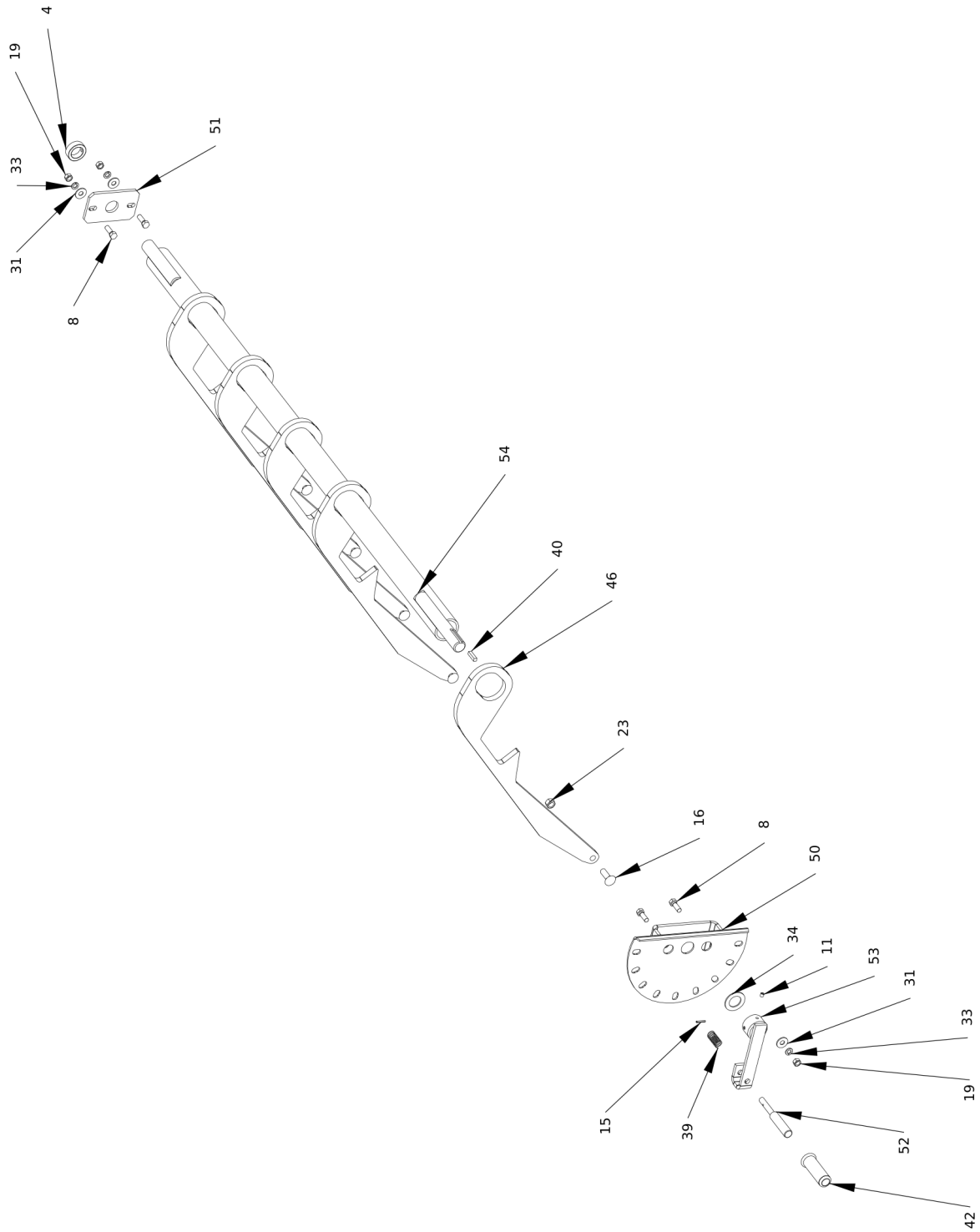
2660 Shredder Assembly-Door

Item	Part No.	Name	Remarks	Qty	Uom
1	2000510	BRG\PB\2\2BOLT		2	EA.
2	8101462	SHM\16GA\BRG\RTR		2	EA.
3	8101631	SHM\10GA\BRG\RTR		2	EA.
4	2000813	CLLR\SHFT\1-1/2\SET		1	EA.
5	4800018	BOLT\HEX\1/2X1-1/4		10	EA.
6	4800033	BOLT\HEX\3/4X2		4	EA.
7	4800079	BOLT\HEX\5/8X2-1/2		4	EA.
8	4800082	BOLT\HEX\1/2X1-1/2		14	EA.
9	4800085	BOLT\HEX\1/2X1		1	EA.
10	4800101	BOLT\HEX\1/4X2-1/2		2	EA.
11	4800143	SCR\SET\ALN\3/8X3/8\NC		2	EA.
12	4800147	BOLT\HEX\5/16X7/8		4	EA.
13	4800178	BOLT\HEX\1/2X1-3/4		4	EA.
14	4800197	BOLT\HEX\3/8X3-1/2		2	EA.
15	4800456	PIN\RLLD\3/16X1-1/8		1	EA.
16	4800483	BOLT\CRG\5/8X2\NC		5	EA.
17	4800598	BOLT\HEX\5/8X4\NF\GR8		30	EA.
18	4800911	PIN\LYNCH\1/4X2-1/2\		2	EA.
19	4900001	NUT\HEX\1/2\NC		27	EA.
20	4900004	NUT\HEX\3/4\NC		4	EA.
21	4900005	NUT\HEX\5/8\NC		4	EA.
22	4900009	NUT\HEX\1/4\NC		2	EA.
23	4900012	NUT\TPLCK\5/8\NC		5	EA.
24	4900014	NUT\TPLCK\1/2\NC		2	EA.
25	4900023	NUT\TPLCK\3/8\NC		3	EA.
26	4900108	NUT\FLG\SERR\5/16\NC		4	EA.
27	4900179	NUT\TPLCK\RTR\5/8\NF\GR9		30	EA.
28	5000001	WASH\FLAT\3/8		2	EA.
29	5000002	WASH\FLAT\5/8		8	EA.
30	5000003	WASH\LOCK\5/8		4	EA.
31	5000004	WASH\FLAT\1/2		30	EA.
32	5000005	WASH\FLAT\3/4		8	EA.
33	5000006	WASH\LOCK\1/2		27	EA.
34	5000008	WASH\MACH\1-1/2IDX10GA\NR		1	EA.
35	5000012	WASH\LOCK\3/4		4	EA.
36	5000024	WASH\LOCK\1/4		2	EA.
37	5200012	FLAIL\BB\8		30	EA.
38	6100002	SPRING\COMP\072W\11/16OD\2-1/8LONG		1	EA.

This page intentionally left blank

2660 Shredder Assembly-Door

Item	Part No.	Name	Remarks	Qty	Uom
39	6100031	SPRING\COMP\072W\25/32OD		1	EA.
40	6200021	KEY\SQ\3/8X1-1/2\HARDEND		1	EA.
41	7500223	BUSH\FLAIL\1-1/4X.687x2-1/8L		30	EA.
42	7500736	GRIP\HAND\1X4-1/2\FLG		1	EA.
43	7501045	LATCH\ADJ\OTC\4" GRIP		2	EA.
44	7501050	PLATE\SICKLE		2	EA.
45	8100036	MNT\MTR\HYD		1	EA.
46	8100763	ADJUSTABLE\SLUGBAR		5	EA.
47	8100793	CHNNL\STRIPPER\SHREADER		opt.	EA.
47a	8101511	CHNNL\STRIPPER\OPTION		opt.	EA.
48	8100877	LATCH\SHLD\BRG\REAR\RTR		1	EA.
49	8100879	MNT\SHLD\REAR\BRG\RTR		1	EA.
50	8101038	BRKT\INDEX\SLUGBAR		1	EA.
51	8101039	BRKT\BRG\SLUGBAR		1	EA.
52	8101050	BRKT\HANDLE\INDEX\SLUGBAR		1	EA.
53	8101051	BRKT\MNT\HANDLE\SLUGBAR		1	EA.
54	8101094	SHAFT\SLUGBAR\2650		1	EA.
55	8101313	PAN\DISH\ADJ		1	EA.
56	8101512	DOOR\SHRDR\2650\71-1/4"		1	EA.
57	8101748	BRKT\STRGJACK		1	EA.
58	8101857	FRM\SHRDR\RH\2660		1	EA.
59	8101890	RTR\FLAIL\2"SHFT\HVY		1	EA.
60	8101894	BRKT\BRG\2"\REAR\RTR		1	EA.
61	8101951	SHLD\2"BRG\REAR\RTR		1	EA.
CA	8101860	SHRDR\ASSY\2660			EA.
NS	3700830	HOSE\LUB\1/8X16\MPS-MPS		1	EA.



2660 Shredder Assembly-Slugbar

Item	Part No.	Name	Remarks	Qty	Uom
1	2000510	BRG\PB\2\2BOLT		2	EA.
2	8101462	SHM\16GA\BRG\RTR		2	EA.
3	8101631	SHM\10GA\BRG\RTR		2	EA.
4	2000813	CLLR\SHFT\1-1/2\SET		1	EA.
5	4800018	BOLT\HEX\1/2X1-1/4		10	EA.
6	4800033	BOLT\HEX\3/4X2		4	EA.
7	4800079	BOLT\HEX\5/8X2-1/2		4	EA.
8	4800082	BOLT\HEX\1/2X1-1/2		14	EA.
9	4800085	BOLT\HEX\1/2X1		1	EA.
10	4800101	BOLT\HEX\1/4X2-1/2		2	EA.
11	4800143	SCR\SET\ALN\3/8X3/8\NC		2	EA.
12	4800147	BOLT\HEX\5/16X7/8		4	EA.
13	4800178	BOLT\HEX\1/2X1-3/4		4	EA.
14	4800197	BOLT\HEX\3/8X3-1/2		2	EA.
15	4800456	PIN\RLLD\3/16X1-1/8		1	EA.
16	4800483	BOLT\CRG\5/8X2\NC		5	EA.
17	4800598	BOLT\HEX\5/8X4\NF\GR8		30	EA.
18	4800911	PIN\LYNCH\1/4X2-1/2\		2	EA.
19	4900001	NUT\HEX\1/2\NC		27	EA.
20	4900004	NUT\HEX\3/4\NC		4	EA.
21	4900005	NUT\HEX\5/8\NC		4	EA.
22	4900009	NUT\HEX\1/4\NC		2	EA.
23	4900012	NUT\TPLCK\5/8\NC		5	EA.
24	4900014	NUT\TPLCK\1/2\NC		2	EA.
25	4900023	NUT\TPLCK\3/8\NC		3	EA.
26	4900108	NUT\FLG\SERR\5/16\NC		4	EA.
27	4900179	NUT\TPLCK\RTR\5/8\NF\GR9		30	EA.
28	5000001	WASH\FLAT\3/8		2	EA.
29	5000002	WASH\FLAT\5/8		8	EA.
30	5000003	WASH\LOCK\5/8		4	EA.
31	5000004	WASH\FLAT\1/2		30	EA.
32	5000005	WASH\FLAT\3/4		8	EA.
33	5000006	WASH\LOCK\1/2		27	EA.
34	5000008	WASH\MACH\1-1/2IDX10GA\NR		1	EA.
35	5000012	WASH\LOCK\3/4		4	EA.
36	5000024	WASH\LOCK\1/4		2	EA.
37	5200012	FLAIL\BB\8		30	EA.
38	6100002	SPRING\COMP\072W\11/16OD\2-1/8LONG		1	EA.

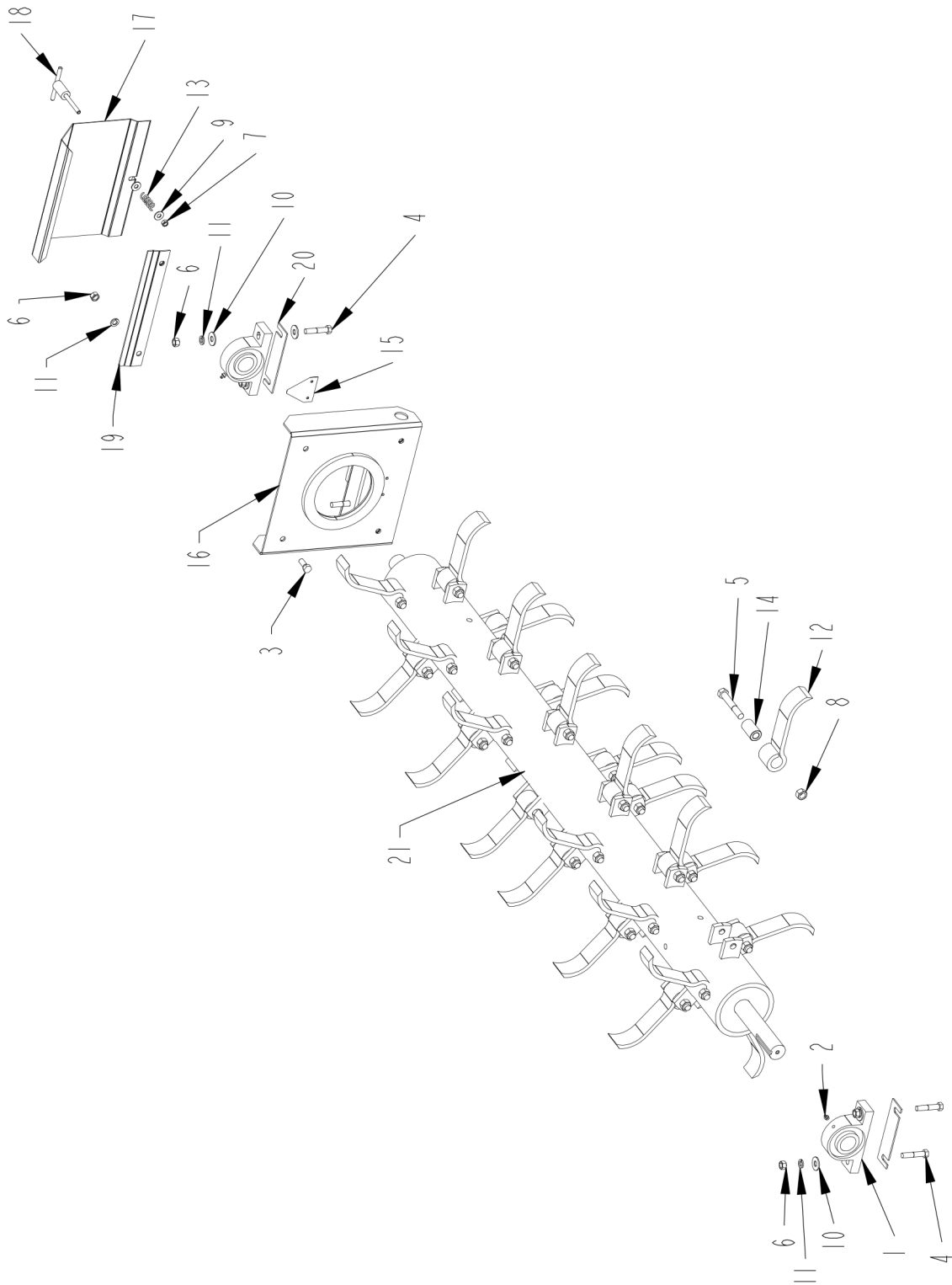
This page intentionally left blank

2660 Shredder Assembly-Slugbar

Item	Part No.	Name	Remarks	Qty	Uom
39	6100031	SPRING\COMP\072W\25/32OD		1	EA.
40	6200021	KEY\SQ\3/8X1-1/2\HARDEND		1	EA.
41	7500223	BUSH\FLAIL\1-1/4X.687x2-1/8L		30	EA.
42	7500736	GRIP\HAND\1X4-1/2\FLG		1	EA.
43	7501045	LATCH\ADJ\OTC\4" GRIP		2	EA.
44	7501050	PLATE\SICKLE		2	EA.
45	8100036	MNT\MTR\HYD		1	EA.
46	8100763	ADJUSTABLE\SLUGBAR		5	EA.
47	8100793	CHNNL\STRIPPER\SHREADER		opt.	EA.
47a	8101511	CHNNL\STRIPPER\OPTION		opt.	EA.
48	8100877	LATCH\SHLD\BRG\REAR\RTR		1	EA.
49	8100879	MNT\SHLD\REAR\BRG\RTR		1	EA.
50	8101038	BRKT\INDEX\SLUGBAR		1	EA.
51	8101039	BRKT\BRG\SLUGBAR		1	EA.
52	8101050	BRKT\HANDLE\INDEX\SLUGBAR		1	EA.
53	8101051	BRKT\MNT\HANDLE\SLUGBAR		1	EA.
54	8101094	SHAFT\SLUGBAR\2650		1	EA.
55	8101313	PAN\DISH\ADJ		1	EA.
56	8101512	DOOR\SHRDR\2650\71-1/4"		1	EA.
57	8101748	BRKT\STRG\JACK		1	EA.
58	8101857	FRM\SHRDR\RH\2660		1	EA.
59	8101890	RTR\FLAIL\2"SHFT\HVY		1	EA.
60	8101894	BRKT\BRG\2"\REAR\RTR		1	EA.
61	8101951	SHLD\2"BRG\REAR\RTR		1	EA.
CA	8101860	SHRDR\ASSY\2660			EA.
NS	3700830	HOSE\LUB\1/8X16\MPS-MPS		1	EA.

2660 Shredder Assembly-Rotor (for SN 0001-0005)

2660/2665 Balebuster Parts Reference

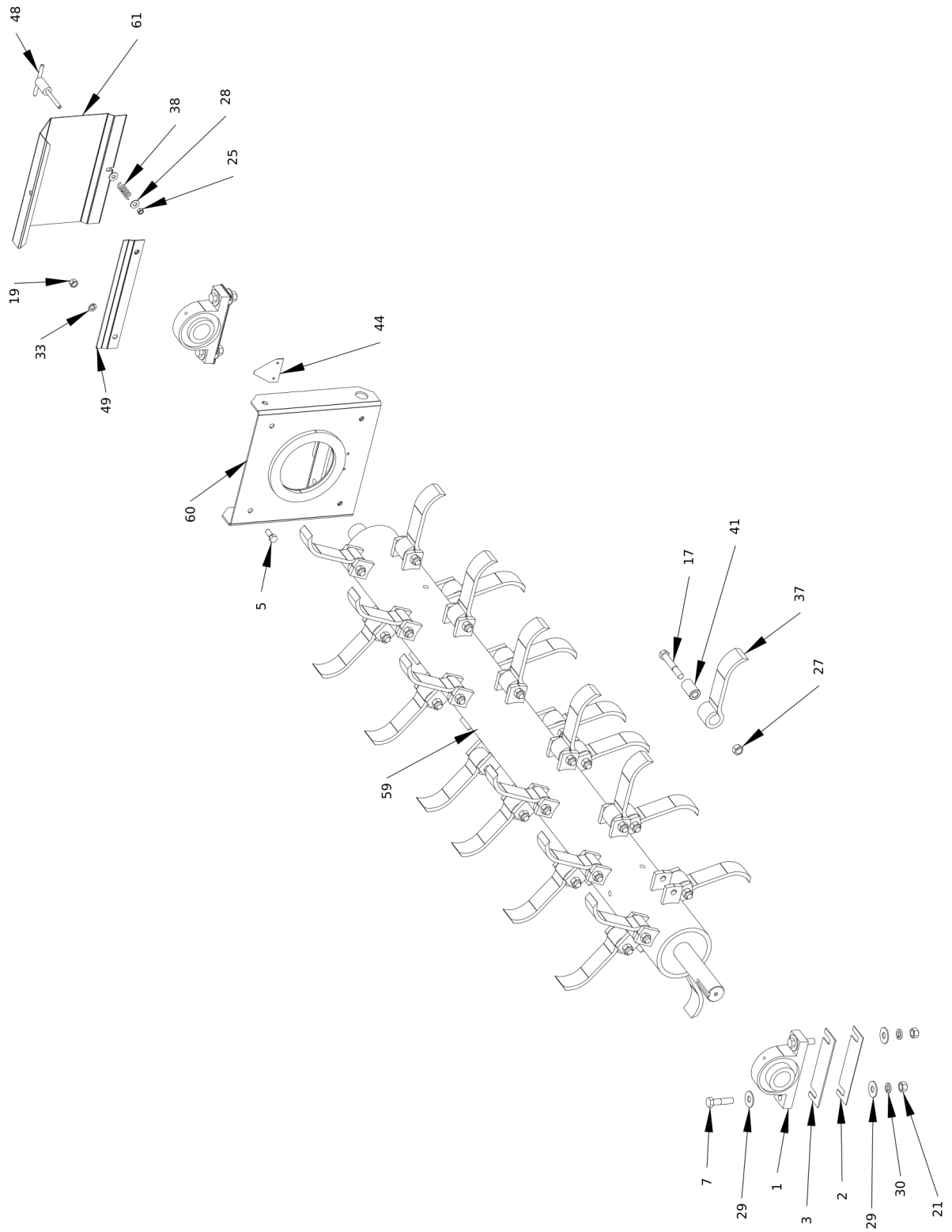


2660 Shredder Assembly-Rotor (for SN 0001-0005)

Item	Part No.	Name	Remarks	Qty	Uom
1	2000514	BRG\PB\1-3/4\2BOLTMALLEABLE		2	EA.
2	3800043	FTG\LUB\1/8MPXZRK\SHORT		2	EA.
3	4800018	BOLT\HEX\1/2X1-1/4		4	EA.
4	4800070	BOLT\HEX\1/2X2-1/2		4	EA.
5	4800598	BOLT\HEX\5/8X4\NF\GR8		30	EA.
6	4900001	NUT\HEX\1/2\NC		8	EA.
7	4900023	NUT\PLCK\3/8\NC		1	EA.
8	4900179	NUT\PLCK\RTR\5/8\NF\GR9		30	EA.
9	5000001	WASH\FLAT\3/8		2	EA.
10	5000004	WASH\FLAT\1/2		8	EA.
11	5000006	WASH\LOCK\1/2		4	EA.
12	5200012	FLAIL\BB\8		30	EA.
13	6100002	SPRING\COMP\072W\11/16OD\2-1/8LONG		1	EA.
14	7500223	BUSH\FLAIL\1-1/4X.687x2-1/8L		30	EA.
15	7501050	PLATE\SICKLE		2	EA.
16	8100778	BRKT\BRG\REAR\RTR		1	EA.
17	8100876	SHLD\BRG\REAR\RTR		1	EA.
18	8100877	LATCH\SHLD\BRG\REAR\RTR		1	EA.
19	8100879	MNT\SHLD\REAR\BRG\RTR		1	EA.
20	8100890	SHM\10GA\BRG\RTR		2	EA.
21	8101341	RTR\FLAIL\78-3/8\2650		1	EA.

2660 Shredder Assembly-Rotor (for SN 0006 & Up)

2660/2665 Balebuster Parts Reference



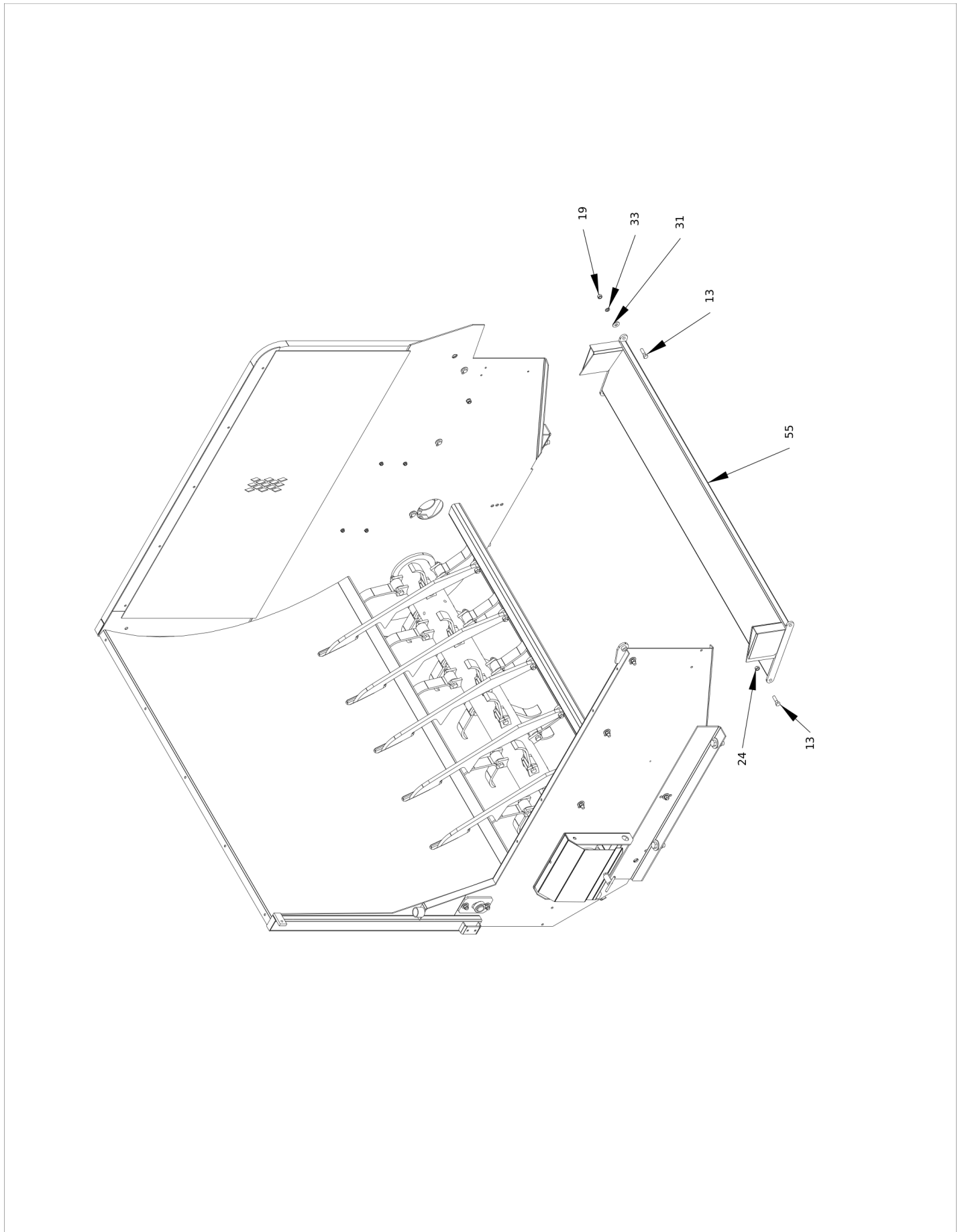
2660 Shredder Assembly-Rotor (for SN 0006 & Up)

Item	Part No.	Name	Remarks	Qty	Uom
1	2000510	BRG\PB\2\2BOLT		2	EA.
2	8101462	SHM\16GA\BRG\RTR		2	EA.
3	8101631	SHM\10GA\BRG\RTR		2	EA.
4	2000813	CLLR\SHFT\1-1/2\SET		1	EA.
5	4800018	BOLT\HEX\1/2X1-1/4		10	EA.
6	4800033	BOLT\HEX\3/4X2		4	EA.
7	4800079	BOLT\HEX\5/8X2-1/2		4	EA.
8	4800082	BOLT\HEX\1/2X1-1/2		14	EA.
9	4800085	BOLT\HEX\1/2X1		1	EA.
10	4800101	BOLT\HEX\1/4X2-1/2		2	EA.
11	4800143	SCR\SET\ALN\3/8X3/8\NC		2	EA.
12	4800147	BOLT\HEX\5/16X7/8		4	EA.
13	4800178	BOLT\HEX\1/2X1-3/4		4	EA.
14	4800197	BOLT\HEX\3/8X3-1/2		2	EA.
15	4800456	PIN\RLLD\3/16X1-1/8		1	EA.
16	4800483	BOLT\CRG\5/8X2\NC		5	EA.
17	4800598	BOLT\HEX\5/8X4\NF\GR8		30	EA.
18	4800911	PIN\LYNCH\1/4X2-1/2\		2	EA.
19	4900001	NUT\HEX\1/2\NC		27	EA.
20	4900004	NUT\HEX\3/4\NC		4	EA.
21	4900005	NUT\HEX\5/8\NC		4	EA.
22	4900009	NUT\HEX\1/4\NC		2	EA.
23	4900012	NUT\TPLCK\5/8\NC		5	EA.
24	4900014	NUT\TPLCK\1/2\NC		2	EA.
25	4900023	NUT\TPLCK\3/8\NC		3	EA.
26	4900108	NUT\FLG\SERR\5/16\NC		4	EA.
27	4900179	NUT\TPLCK\RTR\5/8\NF\GR9		30	EA.
28	5000001	WASH\FLAT\3/8		2	EA.
29	5000002	WASH\FLAT\5/8		8	EA.
30	5000003	WASH\LOCK\5/8		4	EA.
31	5000004	WASH\FLAT\1/2		30	EA.
32	5000005	WASH\FLAT\3/4		8	EA.
33	5000006	WASH\LOCK\1/2		27	EA.
34	5000008	WASH\MACH\1-1/2\IDX10GA\NR		1	EA.
35	5000012	WASH\LOCK\3/4		4	EA.
36	5000024	WASH\LOCK\1/4		2	EA.
37	5200012	FLAIL\BB\8		30	EA.
38	6100002	SPRING\COMP\072W\11/16OD\2-1/8LONG		1	EA.

This page intentionally left blank

2660 Shredder Assembly-Rotor (for SN 0006 & Up)

Item	Part No.	Name	Remarks	Qty	Uom
39	6100031	SPRING\COMP\072W\25/32OD		1	EA.
40	6200021	KEY\SQ\3/8X1-1/2\HARDEND		1	EA.
41	7500223	BUSH\FLAIL\1-1/4X.687x2-1/8L		30	EA.
42	7500736	GRIP\HAND\1X4-1/2\FLG		1	EA.
43	7501045	LATCH\ADJ\OTC\4" GRIP		2	EA.
44	7501050	PLATE\SICKLE		2	EA.
45	8100036	MNT\MTR\HYD		1	EA.
46	8100763	ADJUSTABLE\SLUGBAR		5	EA.
47	8100793	CHNNL\STRIPPER\SHREADER		opt.	EA.
47a	8101511	CHNNL\STRIPPER\OPTION		opt.	EA.
48	8100877	LATCH\SHLD\BRG\REAR\RTR		1	EA.
49	8100879	MNT\SHLD\REAR\BRG\RTR		1	EA.
50	8101038	BRKT\INDEX\SLUGBAR		1	EA.
51	8101039	BRKT\BRG\SLUGBAR		1	EA.
52	8101050	BRKT\HANDLE\INDEX\SLUGBAR		1	EA.
53	8101051	BRKT\MNT\HANDLE\SLUGBAR		1	EA.
54	8101094	SHAFT\SLUGBAR\2650		1	EA.
55	8101313	PAN\DISH\ADJ		1	EA.
56	8101512	DOOR\SHRDR\2650\71-1/4"		1	EA.
57	8101748	BRKT\STRG\JACK		1	EA.
58	8101857	FRM\SHRDR\RH\2660		1	EA.
59	8101890	RTR\FLAIL\2"SHFT\HVY		1	EA.
60	8101894	BRKT\BRG\2"\REAR\RTR		1	EA.
61	8101951	SHLD\2"BRG\REAR\RTR		1	EA.
CA	8101860	SHRDR\ASSY\2660			EA.
NS	3700830	HOSE\LUB\1/8X16\MPS-MPS		1	EA.



2660 Shredder Assembly-Floor Pan

Item	Part No.	Name	Remarks	Qty	Uom
1	2000510	BRG\PB\2\2BOLT		2	EA.
2	8101462	SHM\16GA\BRG\RTR		2	EA.
3	8101631	SHM\10GA\BRG\RTR		2	EA.
4	2000813	CLLR\SHFT\1-1/2\SET		1	EA.
5	4800018	BOLT\HEX\1/2X1-1/4		10	EA.
6	4800033	BOLT\HEX\3/4X2		4	EA.
7	4800079	BOLT\HEX\5/8X2-1/2		4	EA.
8	4800082	BOLT\HEX\1/2X1-1/2		14	EA.
9	4800085	BOLT\HEX\1/2X1		1	EA.
10	4800101	BOLT\HEX\1/4X2-1/2		2	EA.
11	4800143	SCR\SET\ALN\3/8X3/8\NC		2	EA.
12	4800147	BOLT\HEX\5/16X7/8		4	EA.
13	4800178	BOLT\HEX\1/2X1-3/4		4	EA.
14	4800197	BOLT\HEX\3/8X3-1/2		2	EA.
15	4800456	PIN\RLLD\3/16X1-1/8		1	EA.
16	4800483	BOLT\CRG\5/8X2\NC		5	EA.
17	4800598	BOLT\HEX\5/8X4\NF\GR8		30	EA.
18	4800911	PIN\LYNCH\1/4X2-1/2\		2	EA.
19	4900001	NUT\HEX\1/2\NC		27	EA.
20	4900004	NUT\HEX\3/4\NC		4	EA.
21	4900005	NUT\HEX\5/8\NC		4	EA.
22	4900009	NUT\HEX\1/4\NC		2	EA.
23	4900012	NUT\TPLCK\5/8\NC		5	EA.
24	4900014	NUT\TPLCK\1/2\NC		2	EA.
25	4900023	NUT\TPLCK\3/8\NC		3	EA.
26	4900108	NUT\FLG\SERR\5/16\NC		4	EA.
27	4900179	NUT\TPLCK\RTR\5/8\NF\GR9		30	EA.
28	5000001	WASH\FLAT\3/8		2	EA.
29	5000002	WASH\FLAT\5/8		8	EA.
30	5000003	WASH\LOCK\5/8		4	EA.
31	5000004	WASH\FLAT\1/2		30	EA.
32	5000005	WASH\FLAT\3/4		8	EA.
33	5000006	WASH\LOCK\1/2		27	EA.
34	5000008	WASH\MACH\1-1/2IDX10GA\NR		1	EA.
35	5000012	WASH\LOCK\3/4		4	EA.
36	5000024	WASH\LOCK\1/4		2	EA.
37	5200012	FLAIL\BB\8		30	EA.
38	6100002	SPRING\COMP\072W\11/16OD\2-1/8LONG		1	EA.

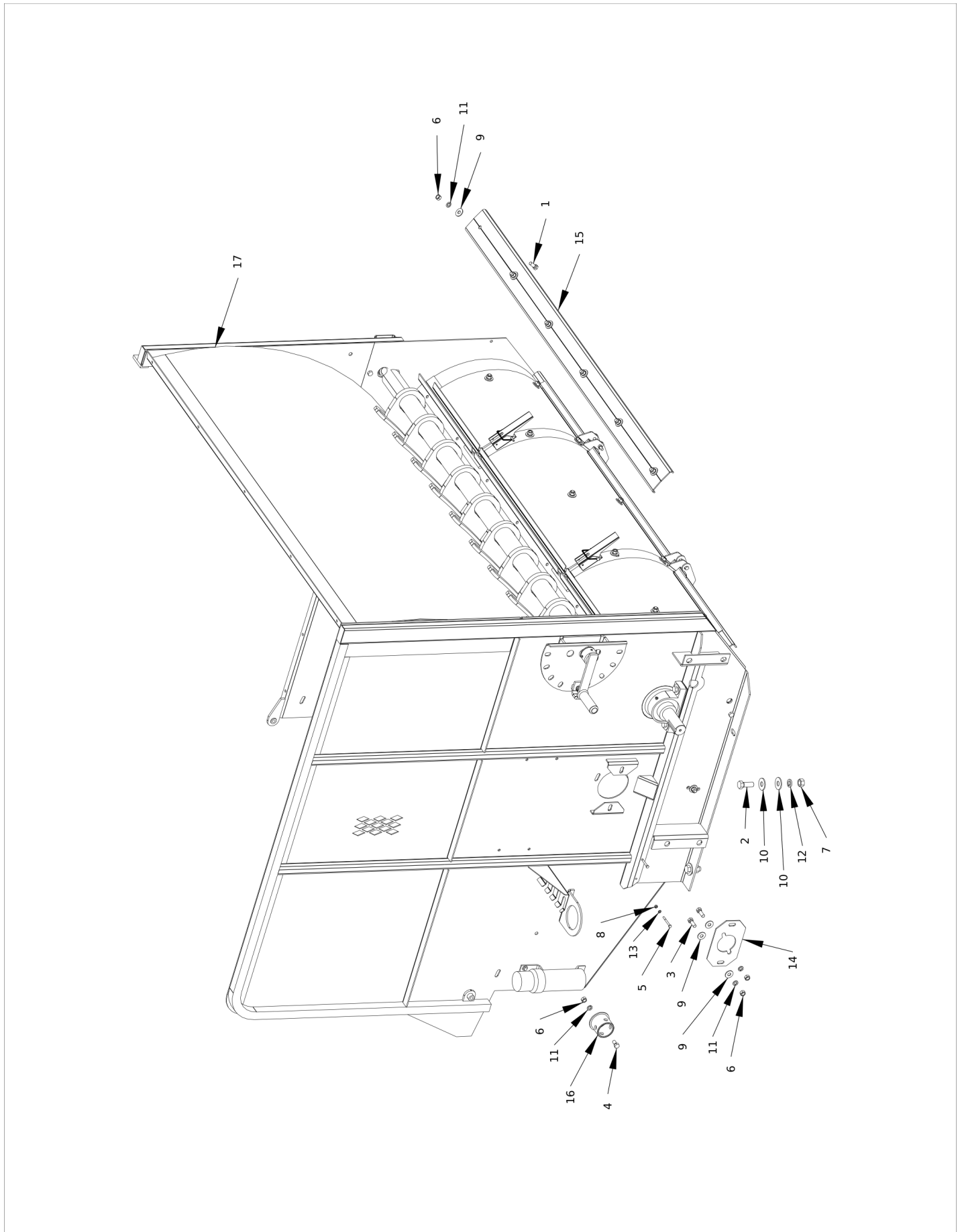
This page intentionally left blank

2660 Shredder Assembly-Floor Pan

Item	Part No.	Name	Remarks	Qty	Uom
39	6100031	SPRING\COMP\072W\25/32OD		1	EA.
40	6200021	KEY\SQ\3/8X1-1/2\HARDEND		1	EA.
41	7500223	BUSH\FLAIL\1-1/4X.687x2-1/8L		30	EA.
42	7500736	GRIP\HAND\1X4-1/2\FLG		1	EA.
43	7501045	LATCH\ADJ\OTC\4" GRIP		2	EA.
44	7501050	PLATE\SICKLE		2	EA.
45	8100036	MNT\MTR\HYD		1	EA.
46	8100763	ADJUSTABLE\SLUGBAR		5	EA.
47	8100793	CHNNL\STRIPPER\SHREADER		opt.	EA.
47a	8101511	CHNNL\STRIPPER\OPTION		opt.	EA.
48	8100877	LATCH\SHLD\BRG\REAR\RTR		1	EA.
49	8100879	MNT\SHLD\REAR\BRG\RTR		1	EA.
50	8101038	BRKT\INDEX\SLUGBAR		1	EA.
51	8101039	BRKT\BRG\SLUGBAR		1	EA.
52	8101050	BRKT\HANDLE\INDEX\SLUGBAR		1	EA.
53	8101051	BRKT\MNT\HANDLE\SLUGBAR		1	EA.
54	8101094	SHAFT\SLUGBAR\2650		1	EA.
55	8101313	PAN\DISH\ADJ		1	EA.
56	8101512	DOOR\SHRDR\2650\71-1/4"		1	EA.
57	8101748	BRKT\STRG\JACK		1	EA.
58	8101857	FRM\SHRDR\RH\2660		1	EA.
59	8101890	RTR\FLAIL\2"SHFT\HVY		1	EA.
60	8101894	BRKT\BRG\2"\REAR\RTR		1	EA.
61	8101951	SHLD\2"BRG\REAR\RTR		1	EA.
CA	8101860	SHRDR\ASSY\2660			EA.
NS	3700830	HOSE\LUB\1/8X16\MPS-MPS		1	EA.

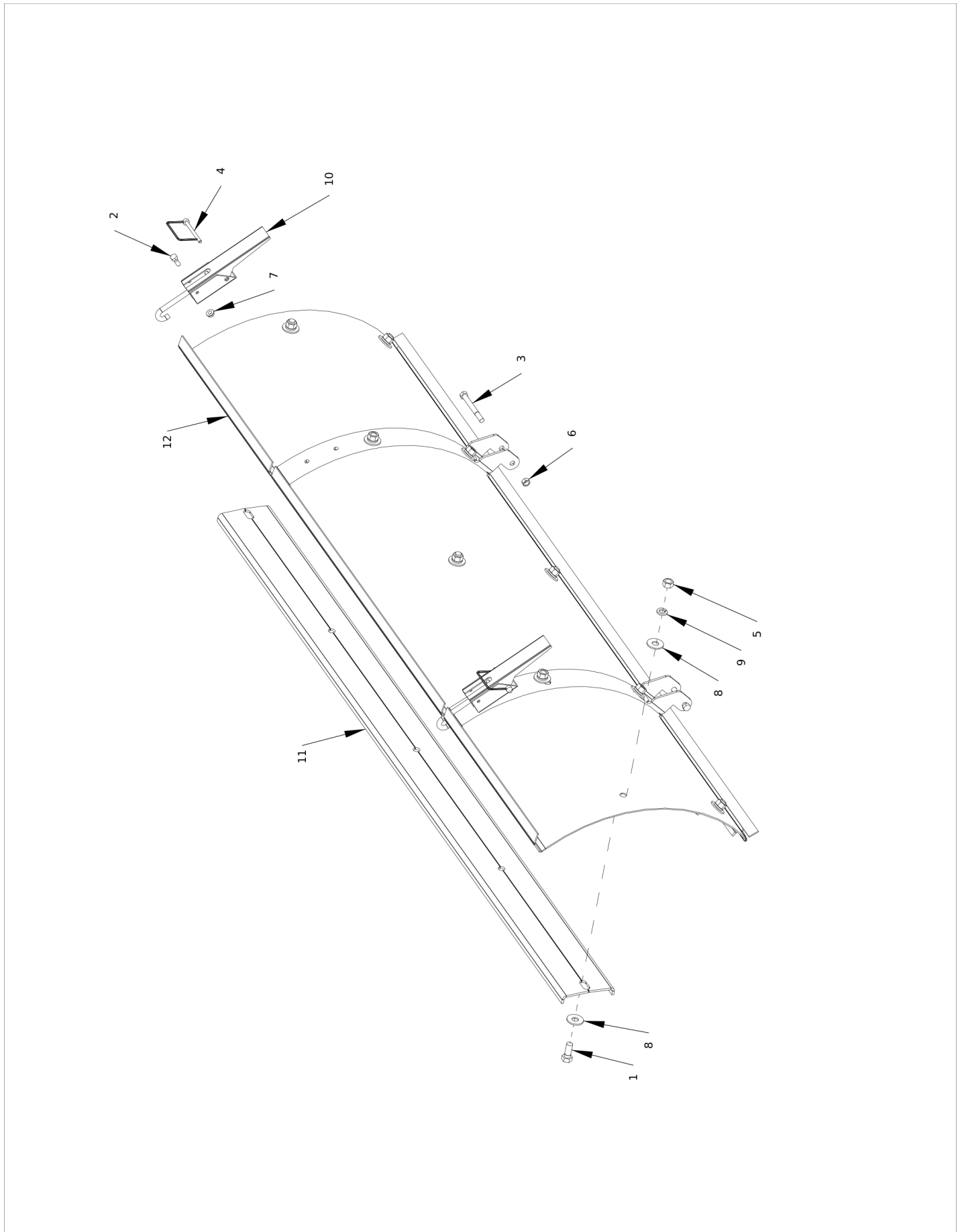
2665 Shredder Assembly-Front

2660/2665 Balebuster Parts Reference



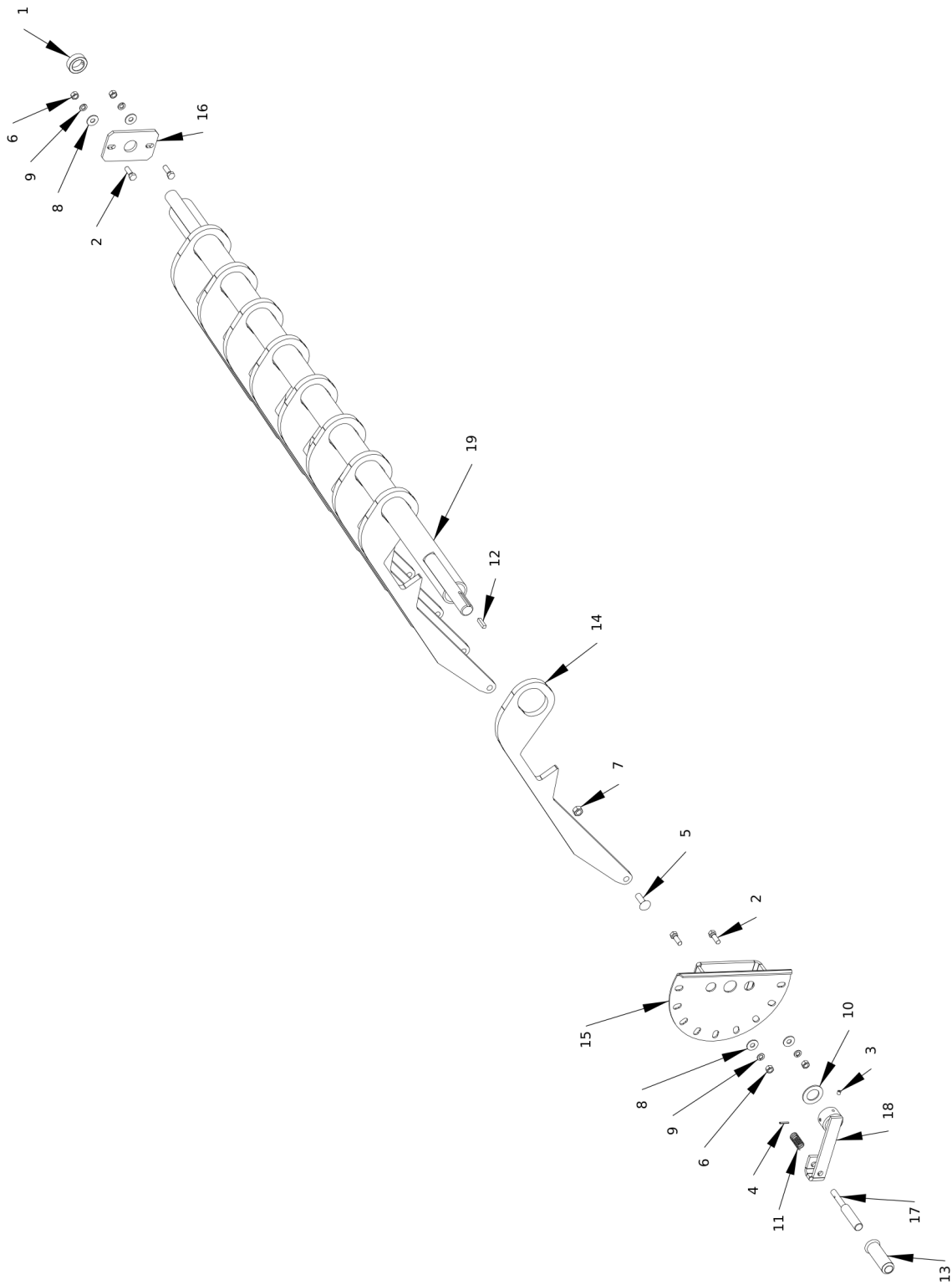
2665 Shredder Assembly-Front

Item	Part No.	Name	Remarks	Qty	Uom
1	4800018	BOLT\HEX\1/2X1-1/4		6	EA.
2	4800033	BOLT\HEX\3/4X2		4	EA.
3	4800082	BOLT\HEX\1/2X1-1/2		4	EA.
4	4800085	BOLT\HEX\1/2X1		1	EA.
5	4800101	BOLT\HEX\1/4X2-1/2		2	EA.
6	4900001	NUT\HEX\1/2\NC		9	EA.
7	4900004	NUT\HEX\3/4\NC		4	EA.
8	4900009	NUT\HEX\1/4\NC		2	EA.
9	5000004	WASH\FLAT\1/2		12	EA.
10	5000005	WASH\FLAT\3/4		8	EA.
11	5000006	WASH\LOCK\1/2		11	EA.
12	5000012	WASH\LOCK\3/4		4	EA.
13	5000024	WASH\LOCK\1/4		2	EA.
14	8100036	MNT\MTR\HYD		1	EA.
15	8100793	CHNNL\STRIPPER\SHREADER		1	EA.
16	8101748	BRKT\STRGJACK		1	EA.
17	8101879	FRM\SHRDR\RH\2665		1	EA.



2665 Shredder Assembly-Door

Item	Part No.	Name	Remarks	Qty	Uom
1	4800018	BOLT\HEX\1/2X1-1/4		10	EA.
2	4800147	BOLT\HEX\5/16X7/8		4	EA.
3	4800197	BOLT\HEX\3/8X3-1/2		2	EA.
4	4800911	PIN\LYNCH\1/4X2-1/2\		2	EA.
5	4900001	NUT\HEX\1/2\NC		10	EA.
6	4900023	NUT\PLCK\3/8\NC		2	EA.
7	4900108	NUT\FLG\SERR\5/16\NC		4	EA.
8	5000004	WASH\FLAT\1/2		20	EA.
9	5000006	WASH\LOCK\1/2		10	EA.
10	7501045	LATCH\ADJ\OTC\4" GRIP		2	EA.
11	8101511	CHNNL\STRIPPER\OPTION		2	EA.
12	8101787	DOOR\SHRDR\2655\71-1/4\		1	EA.

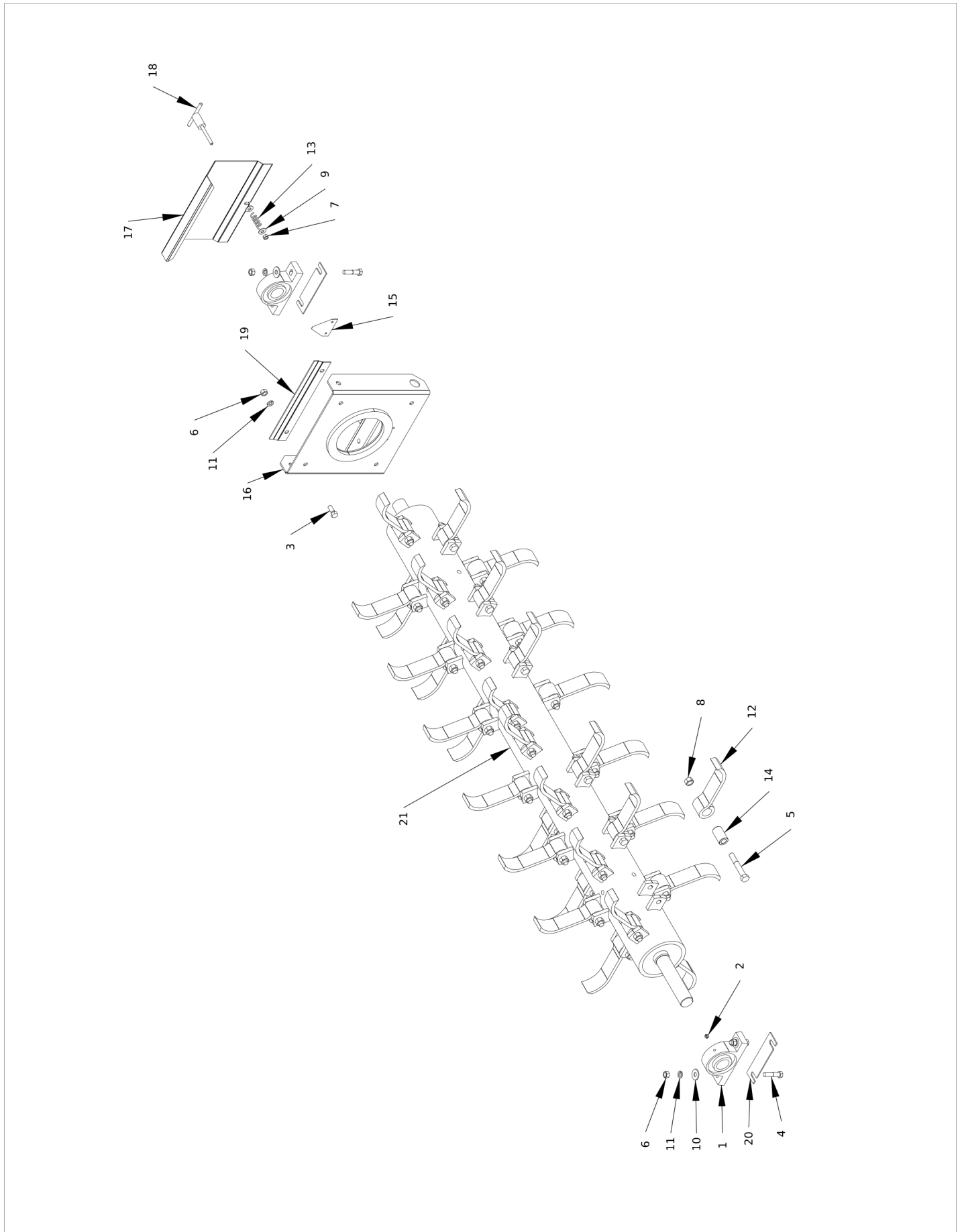


2665 Shredder Assembly-Slugbar

Item	Part No.	Name	Remarks	Qty	Uom
1	2000813	CLLR\SHFT\1-1/2\SET		1	EA.
2	4800082	BOLT\HEX\1/2X1-1/2		4	EA.
3	4800143	SCR\SET\ALN\3/8X3/8\NC		2	EA.
4	4800456	PIN\RLLD\3/16X1-1/8		1	EA.
5	4800483	BOLT\CRG\5/8X2\NC		9	EA.
6	4900001	NUT\HEX\1/2\NC		4	EA.
7	4900012	NUT\PLCK\5/8\NC		9	EA.
8	5000004	WASH\FLAT\1/2		4	EA.
9	5000006	WASH\LOCK\1/2		4	EA.
10	5000008	WASH\MACH\1-1/2IDX10GAINR		1	EA.
11	6100031	SPRING\COMP\072W25/32OD		1	EA.
12	6200021	KEY\SQ\3/8X1-1/2\HARDEND		1	EA.
13	7500736	GRIP\HAND\1X4-1/2\FLG		1	EA.
14	8100763	ADJUSTABLE\SLUGBAR		9	EA.
15	8101038	BRKT\INDEX\SLUGBAR		1	EA.
16	8101039	BRKT\BRG\SLUGBAR		1	EA.
17	8101050	BRKT\HANDLE\INDEX\SLUGBAR		1	EA.
18	8101051	BRKT\MNT\HANDLE\SLUGBAR		1	EA.
19	8101094	SHAFT\SLUGBAR\2650		1	EA.

2665 Shredder Assembly-Rotor (for SN 0001 thru 0005)

2660/2665 Balebuster Parts Reference

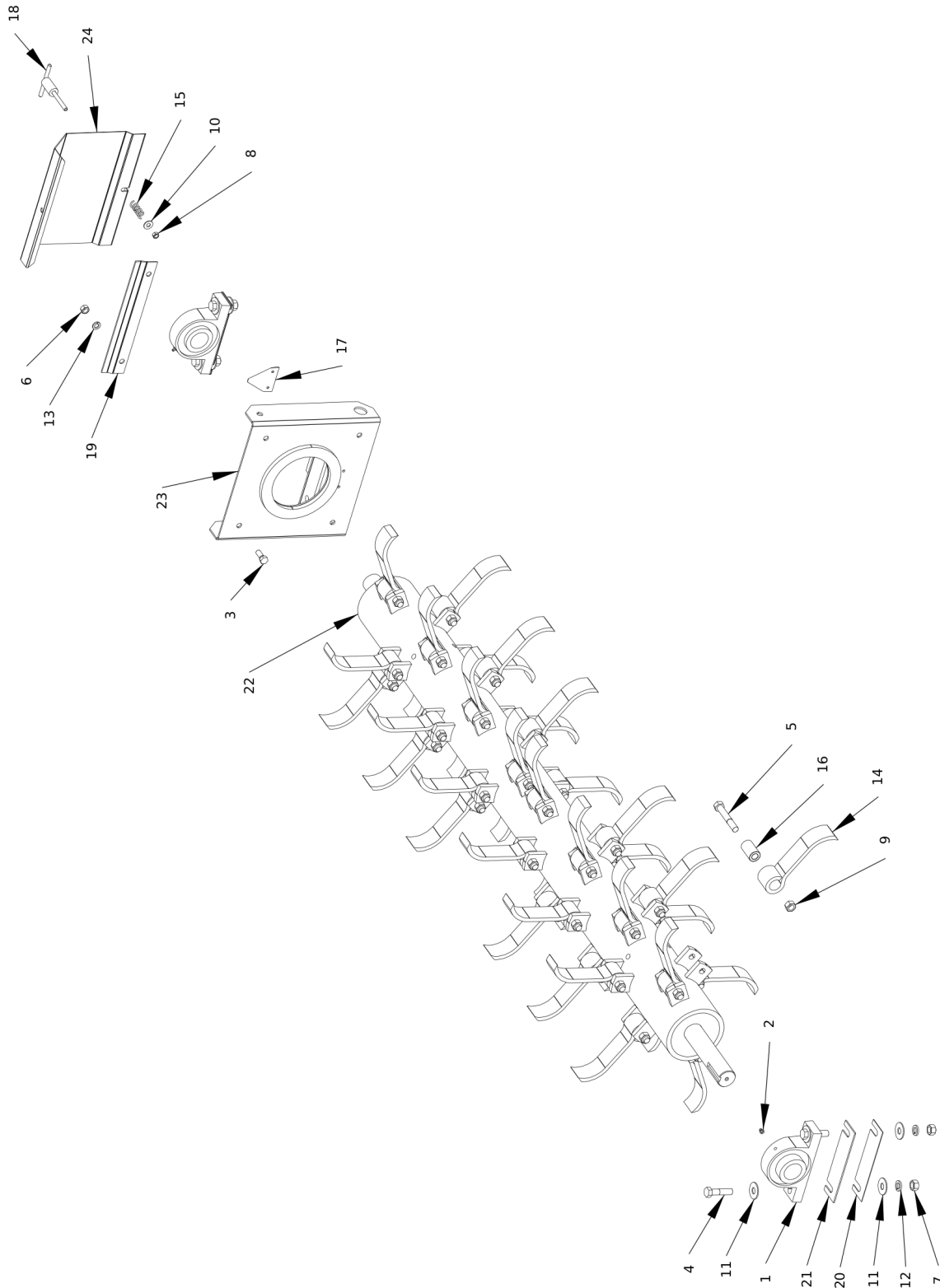


2665 Shredder Assembly-Rotor (for SN 0001 thru 0005)

Item	Part No.	Name	Remarks	Qty	Uom
1	2000514	BRG\PB\1-3/4\2BOLT\MALLEABLE		2	EA.
2	3800043	FTG\LUB\1/8MPXZRK\SHORT		2	EA.
3	4800018	BOLT\HEX\1/2X1-1/4		4	EA.
4	4800070	BOLT\HEX\1/2X2-1/2		4	EA.
5	4800598	BOLT\HEX\5/8X4\NF\GR8		30	EA.
6	4900001	NUT\HEX\1/2\NC		8	EA.
7	4900023	NUT\TPLCK\3/8\NC		1	EA.
8	4900179	NUT\TPLCK\RTR\5/8\NF\GR9		30	EA.
9	5000001	WASH\FLAT\3/8		2	EA.
10	5000004	WASH\FLAT\1/2		8	EA.
11	5000006	WASH\LOCK\1/2		4	EA.
12	5200012	FLAIL\BB\8		30	EA.
13	6100002	SPRING\COMP\072W\11/16OD\2-1/8LONG		1	EA.
14	7500223	BUSH\FLAIL\1-1/4X.687x2-1/8L		30	EA.
15	7501050	PLATE\SICKLE		2	EA.
16	8100778	BRKT\BRG\REAR\RTR		1	EA.
17	8100876	SHLD\BRG\REAR\RTR		1	EA.
18	8100877	LATCH\SHLD\BRG\REAR\RTR		1	EA.
19	8100879	MNT\SHLD\REAR\BRG\RTR		1	EA.
20	8100890	SHM\10GA\BRG\RTR		2	EA.
21	8101341	RTR\FLAIL\78-3/8\2650		1	EA.

2665 Shredder Assembly-Rotor (for SN 0006 and Up)

2660/2665 Balebuster Parts Reference

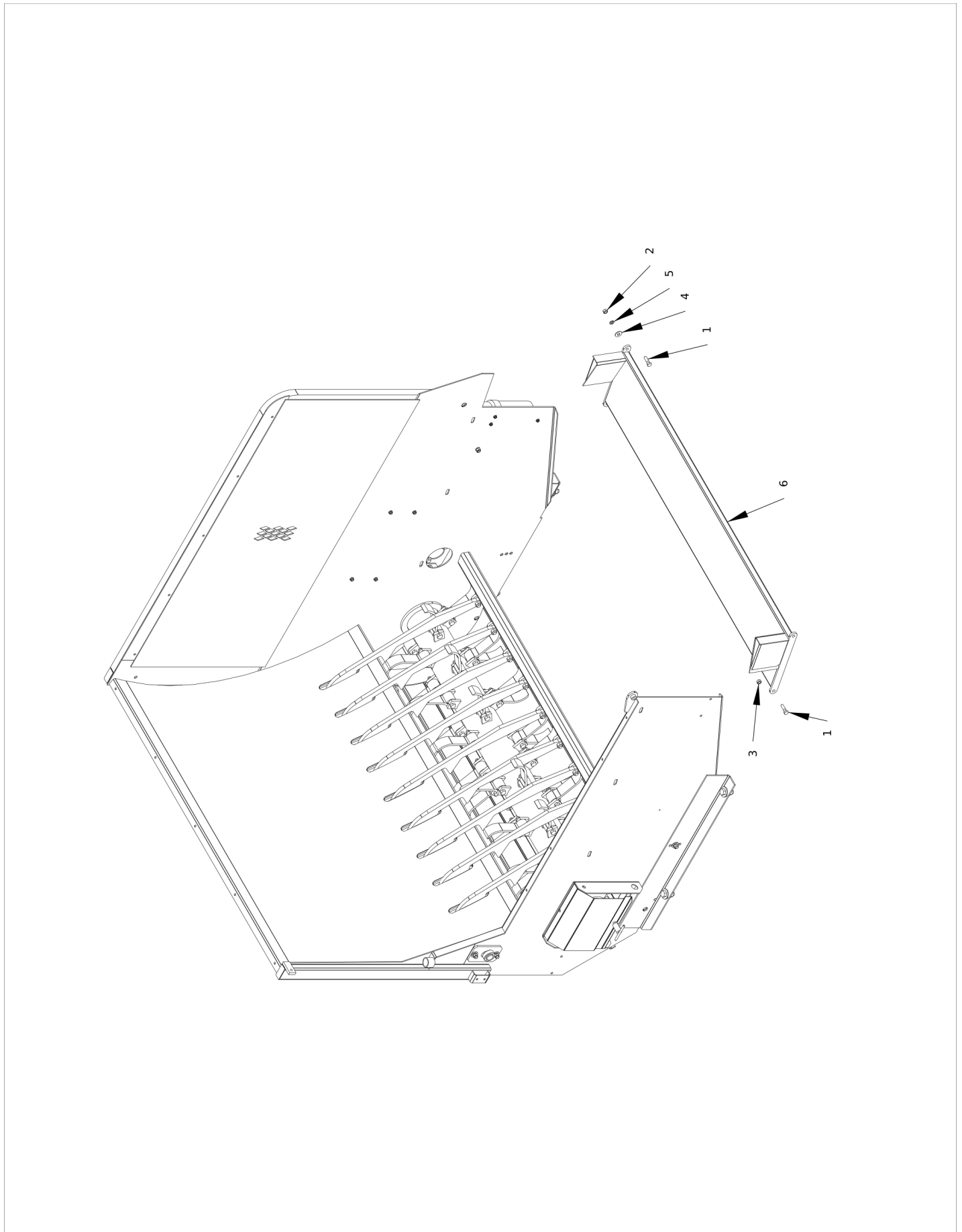


2665 Shredder Assembly-Rotor (for SN 0006 and Up)

Item	Part No.	Name	Remarks	Qty	Uom
1	2000510	BRG\PB\2\2BOLT		2	EA.
2	3800043	FTG\LUB\1\8MPXZRK\SHORT		2	EA.
3	4800018	BOLT\HEX\1\2X1-1/4		4	EA.
4	4800079	BOLT\HEX\5\8X2-1/2		4	EA.
5	4800598	BOLT\HEX\5\8X4\NF\GR8		40	EA.
6	4900001	NUT\HEX\1\2\NC		4	EA.
7	4900005	NUT\HEX\5\8\NC		4	EA.
8	4900023	NUT\TPLCK\3\8\NC		1	EA.
9	4900179	NUT\TPLCK\RTR\5\8\NF\GR9		40	EA.
10	5000001	WASH\FLAT\3\8		1	EA.
11	5000002	WASH\FLAT\5\8		8	EA.
12	5000003	WASH\LOCK\5\8		4	EA.
13	5000006	WASH\LOCK\1\2		4	EA.
14	5200012	FLAIL\BB\8		40	EA.
15	6100002	SPRING\COMP\072W\11\16OD\2-1\8LONG		1	EA.
16	7500223	BUSH\FLAIL\1-1\4X.687x2-1\8L		40	EA.
17	7501050	PLATE\SICKLE		2	EA.
18	8100877	LATCH\SHLD\BRG\REAR\RTR		1	EA.
19	8100879	MNT\SHLD\REAR\BRG\RTR		1	EA.
20	8101462	SHM\16GA\BRG\RTR		2	EA.
21	8101631	SHM\10GA\BRG\RTR		2	EA.
22	8101891	RTR\FLAIL\2"SHFT\HVY		1	EA.
23	8101894	BRKT\BRG\2"REAR\RTR		1	EA.
24	8101951	SHLD\2"BRG\REAR\RTR		1	EA.
NS	3700830	HOSE\LUB\1\8X16\MPS-MPS		1	EA.
NS	3800895	FTG\1\8FP\CPLG\ANCHOR\5\8NF		1	EA.
NS	3800043	FTG\LUB\1\8MPXZRK\SHORT		1	EA.

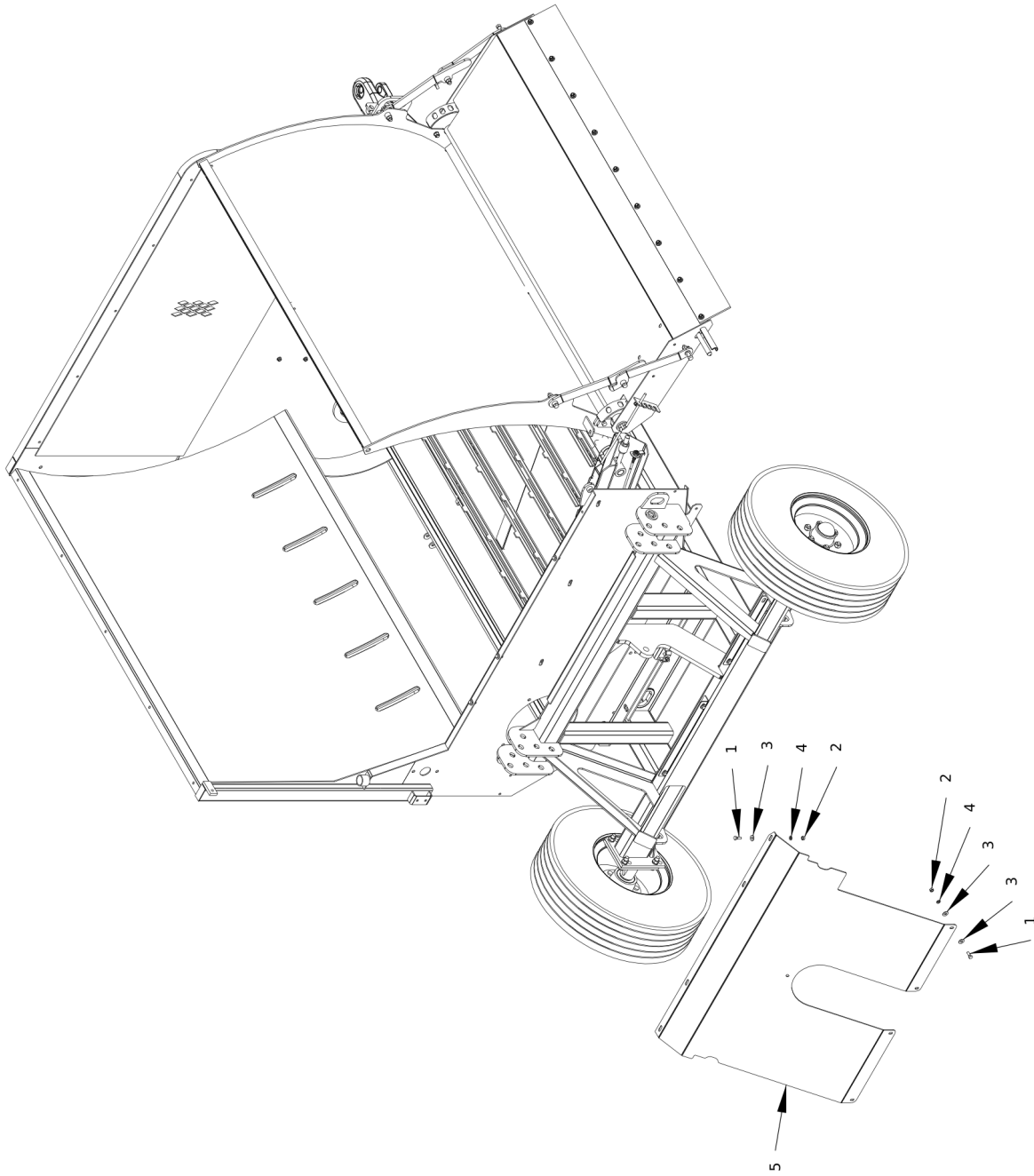
2665 Shredder Assembly-Floor Pan

2660/2665 Balebuster Parts Reference



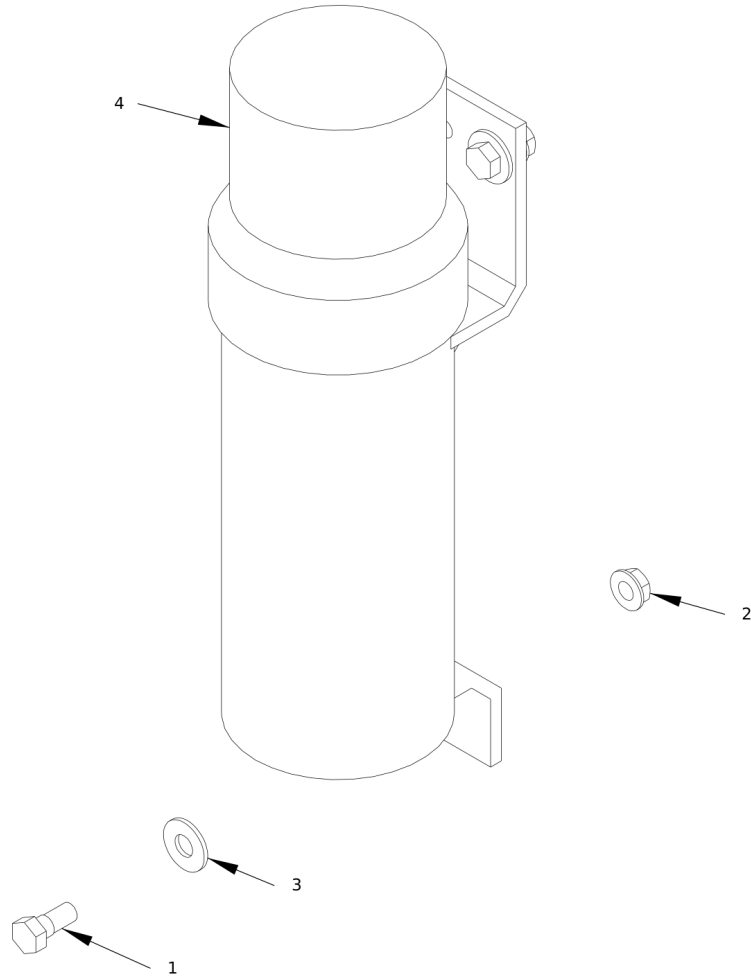
2665 Shredder Assembly-Floor Pan

Item	Part No.	Name	Remarks	Qty	Uom
1	4800178	BOLT\HEX\1/2X1-3/4		4	EA.
2	4900001	NUT\HEX\1/2\NC		2	EA.
3	4900014	NUT\PLCK\1/2\NC		2	EA.
4	5000004	WASH\FLAT\1/2		2	EA.
5	5000006	WASH\LOCK\1/2		2	EA.
6	8101313	PAN\DISH\ADJ		1	EA.



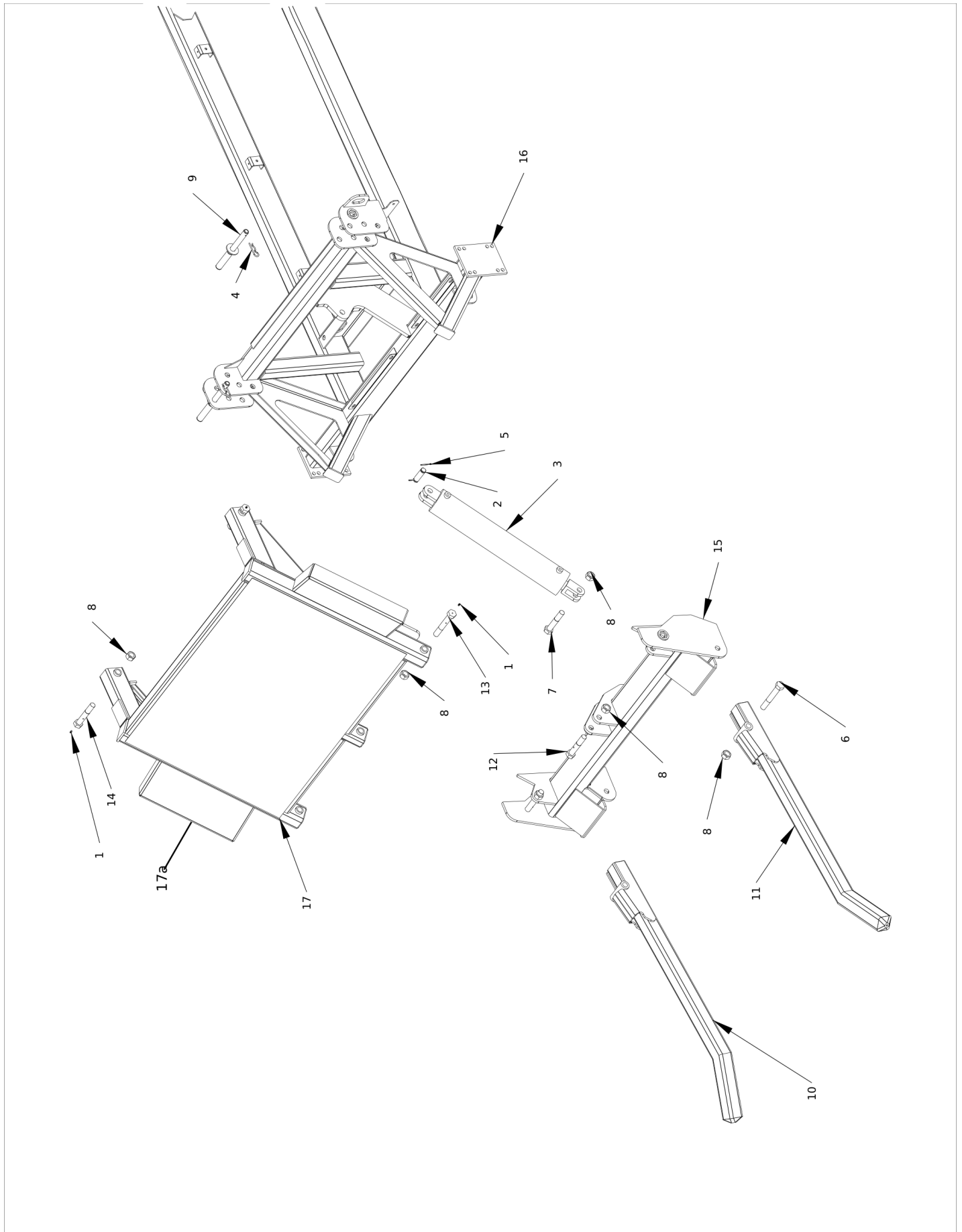
2660/2665 Rear Shield

Item	Part No.	Name	Remarks	Qty	Uom
1	4800003	BOLT\HEX\3/8X1		8	EA.
2	4900002	NUT\HEX\3/8\NC		8	EA.
3	5000001	WASH\FLAT\3/8		12	EA.
4	5000019	WASH\LOCK\3/8		8	EA.
5	8102051	SHLD\REAR\SHRDR\FLL		1	EA.



Manual Canister Assembly

Item	Part No.	Name	Remarks	Qty	Uom
1	4800643	BOLT\HEX\5/16X3/4		3	EA.
2	4900027	NUT\FLG\TPLCK\5/16\NC		3	EA.
3	5000023	WASH\FLAT\5/16		3	EA.
4	7501628	CNSTRS\MANUAL\12X3.5		1	EA.



2660/2665 Loader Mount and Tines Assembly

Item	Part No.	Name	Remarks	Qty	Uom
1	3800082	FTG\LUB\1/4NFXZERK\ADAPT		5	EA.
2	4100030	PIN 1" X 3-1/2" HYD. CYL.		1	EA.
3	4100273	CYL\HYD\4-1/2X24\1-3/4 -CANADIAN TOOL & DIE		1	EA.
4	4800056	PIN\HAIR\3/16(#3)		2	EA.
5	4800203	PIN\COT\5/32X2		2	EA.
6	4800471	BOLT\HEX\1X7\NC		2	EA.
7	4800633	BOLT\HEX\1X5-1/2\NC\GR5\PLT		1	EA.
8	4900127	NUT\TPLCK\1\NC		8	EA.
9	8100794	PIN\LOCK\TRANSPORT		2	EA.
10	8101033	TINE\SQ\LEFTHAND		1	EA.
11	8101075	TINE\SQ\RIGHTHAND		1	EA.
12	8101311	BOLT\HEX\1X5-1/2\GREASE		1	EA.
13	8101312	BOLT\HEX\1X6-1/2\GREASE		2	EA.
14	8101352	BOLT\HEX\1X6\GREASE		2	EA.
15	8101513	FRM\LOADER\LOWER\		1	EA.
16	8101874	MNFRM\2660		1	EA.
17	8101875	LOADER\UPPER\W-WINGS\2660		1	EA.
17a	D1031475	WING\LOADER\2660		2	EA.

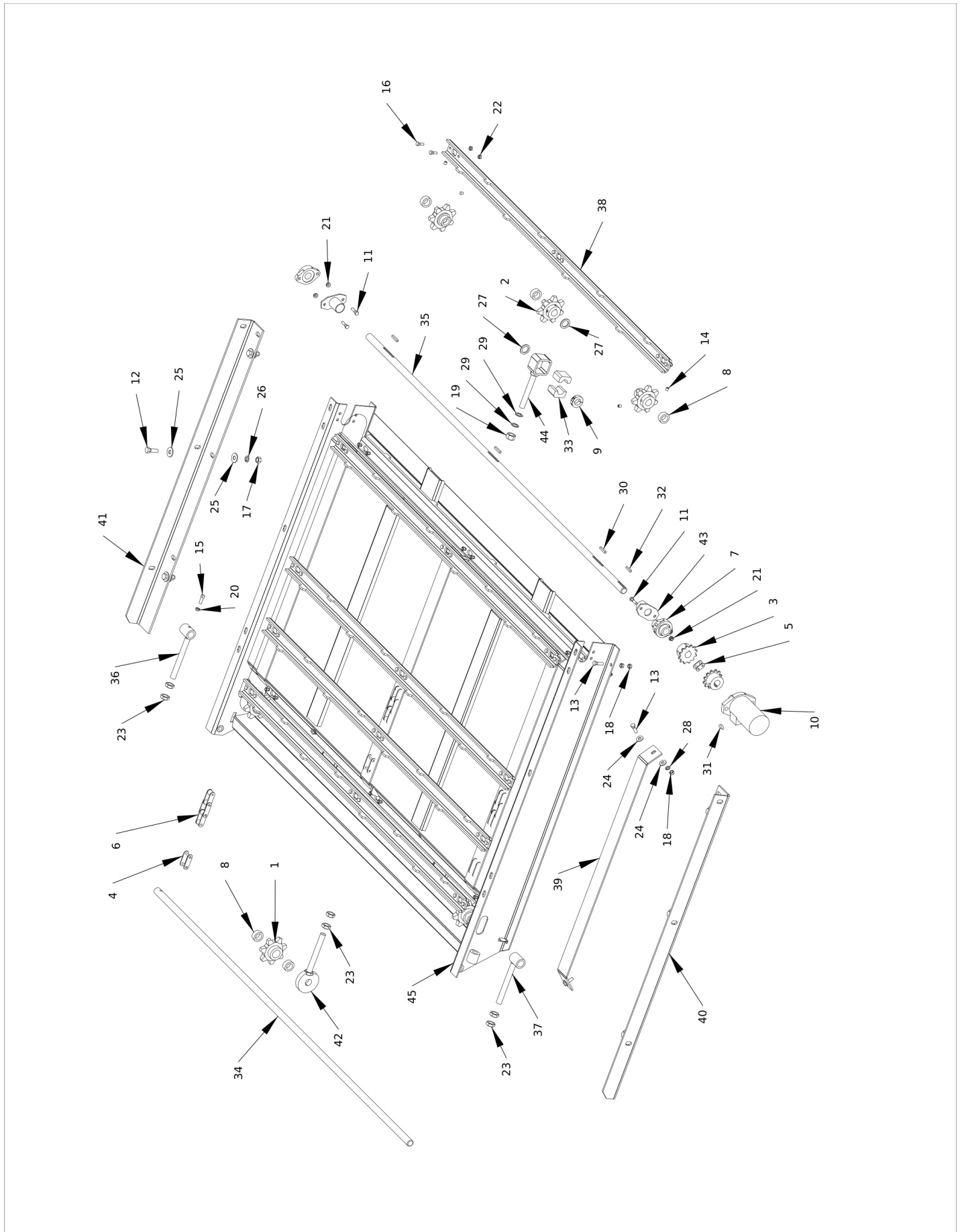
2660/2665 Rack and Deflector Assembly

2660/2665 Balebuster Parts Reference



2660/2665 Rack and Deflector Assembly

Item	Part No.	Name	Remarks	Qty	Uom
1	2000811	CLLR\LOCK\3/4		1	EA.
2	4800003	BOLT\HEX\3/8X1		12	EA.
3	4800178	BOLT\HEX\1/2X1-3/4		4	EA.
4	4800351	BOLT\HEX\1/2X2-3/4		8	EA.
5	4900001	NUT\HEX\1/2\NC		4	EA.
6	4900002	NUT\HEX\3/8\NC		12	EA.
7	4900014	NUT\PLCK\1/2\NC		8	EA.
8	5000001	WASH\FLAT\3/8		10	EA.
9	5000006	WASH\LOCK\1/2		4	EA.
10	5000019	WASH\LOCK\3/8		12	EA.
11	6100031	SPRING\COMP\072W25/32OD		2	EA.
12	6100075	BRKT\TORSION\DFLCRT		1	EA.
13	8100791	BELT\DFLCTR\6X73-3/4		1	EA.
13A	8100819	BELT\DEFL\18X73-3/4		opt	EA.
14	8101046	DFLCTR\REAR LATCH\2002		1	EA.
15	8101087	BRKT\LATCH\DFLCTR		1	EA.
16	8101088	ROD\LATCH\DFLCTR		1	EA.
17	8101090	BRKT\STRAP\RACK\W-STOP\FRONT		1	EA.
18	8101091	BRKT\STRAP\RACK\W-STOP\REAR		1	EA.
19	8101092	BRKT\STRAP\RACK\FRONT		1	EA.
20	8101093	BRKT\STRAP\RACK\REAR		1	EA.
21	8101145	MNT\DFLCTR		2	EA.
22	8101146	MNT\DFLCTR\W-INDEX		2	EA.
23	8101859	RACK\2660		1	EA.



2660/2665 Conveyor Assembly (for SN 0001 thru 0005)

Item	Part No.	Name	Remarks	Qty	Uom
1	1000088	SPKT\662\7\1\IDLER\CA		3	EA.
2	1000089	SPKT\662\7\1\1\4KW\DR	10% Discount @50pc, ORDER 4800143 SET SCREW	3	EA.
3	1000233	SPKT\60\B\12\1\1\4KW		2	EA.
4	1100103	CHAIN\620CA\CL		3	EA.
5	1100240	CHAIN\60\12\CPLNG\W-CL		1	EA.
6	1100304	CHAIN\620CA\59\W\ATTCH	ORDER 1100313	3	EA.
7	2000310	BRG\FLG\CAST\1\2BOLT		2	EA.
8	2000809	CLLOR\SHFT\1\SET		11	EA.
9	2000826	CLLR\SHFT\1\TWO-PIECE		1	EA.
10	3900025	MOTOR\HYD\17.9\HAMNT\7\8FOR\1SHFT		1	EA.
11	4800071	BOLT\HEX\5\16X1-1/4		4	EA.
12	4800082	BOLT\HEX\1\2X1-1/2		6	EA.
13	4800098	BOLT\HEX\3\8X1-1/4\NC		6	EA.
14	4800143	SCR\SET\ALN\3\8X3\8\NC		6	EA.
15	4800307	SCR\SET\SQ\3\8X1\NC		1	EA.
16	4800393	BOLT\HEX\5\16X7\8\GR8		60	EA.
17	4900001	NUT\HEX\1\2\NC		6	EA.
18	4900002	NUT\HEX\3\8\NC		8	EA.
19	4900004	NUT\HEX\3\4\NC		1	EA.
20	4900026	NUT\JAM\3\8\NC		1	EA.
21	4900027	NUT\FLG\TPLCK\5\16\NC		4	EA.
22	4900099	NUT\TPLCK\5\16\GR8\NC		60	EA.
23	4900104	NUT\JAM\3\4\NC		8	EA.
24	5000001	WASH\FLAT\3\8		8	EA.
25	5000004	WASH\FLAT\1\2		12	EA.
26	5000006	WASH\LOCK\1\2		6	EA.
27	5000018	WASH\FLAT\1\10GA\1-1/2 O.D.		2	EA.
28	5000019	WASH\LOCK\3\8		4	EA.
29	5000041	WASH\3\4ID\1-1/8OD\16GA		2	EA.
30	6200005	KEY\SQ\1\4X1-1/2		3	EA.
31	6200011	KEY\WDF\1\4X1		1	EA.
32	6200014	KEY\SQ\1\4X1-1/4		1	EA.
33	7501506	BRG\NYLTRN\1\HALF\1"ID\2SQ-OD		2	EA.
34	8100779	SHFT\IDLER\CNVYR		1	EA.
35	8100780	SHFT\DRIVE\76\CNVYR		1	EA.
36	8100783	BRKT\SHAFT\IDLER\CNVYR		1	EA.
37	8101022	BRKT\SHAFT\IDLER\NO-TAP		1	EA.
38	8101053	PLT\SLAT\2640		10	EA.

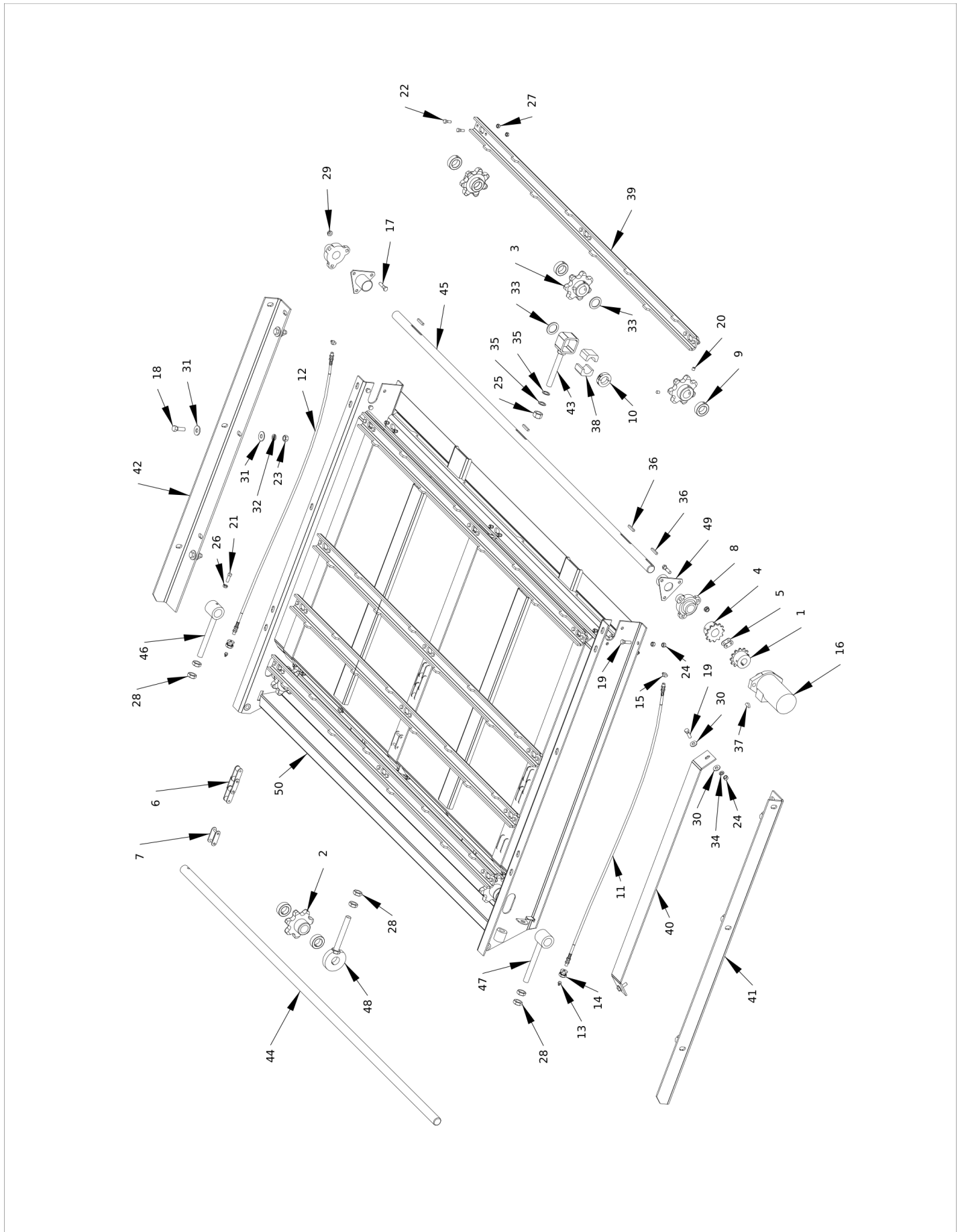
This page intentionally left blank

2660/2665 Conveyor Assembly (for SN 0001 thru 0005)

Item	Part No.	Name	Remarks	Qty	Uom
39	8101547	PL\RUB\CHAIN\CNVYR		2	EA.
40	8101548	MNT\CNVYR\3\BRK		1	EA.
41	8101549	MNT\CNVYR\3\BRK		1	EA.
42	8101699	MNT\SHFT\CNVYR		1	EA.
43	8101749	GUARD\TWINE\CNVYR		2	EA.
44	8101852	MNT\BRG\SPLIT\CNVYR		1	EA.
45	8101855	FRM\CNVYR\10-SLAT		1	EA.
CA	8101858	CNVYR\ASSY\3CHR\RH			EA.

2660/2665 Conveyor Assembly (for SN 0006 and up)

2660/2665 Balebuster Parts Reference



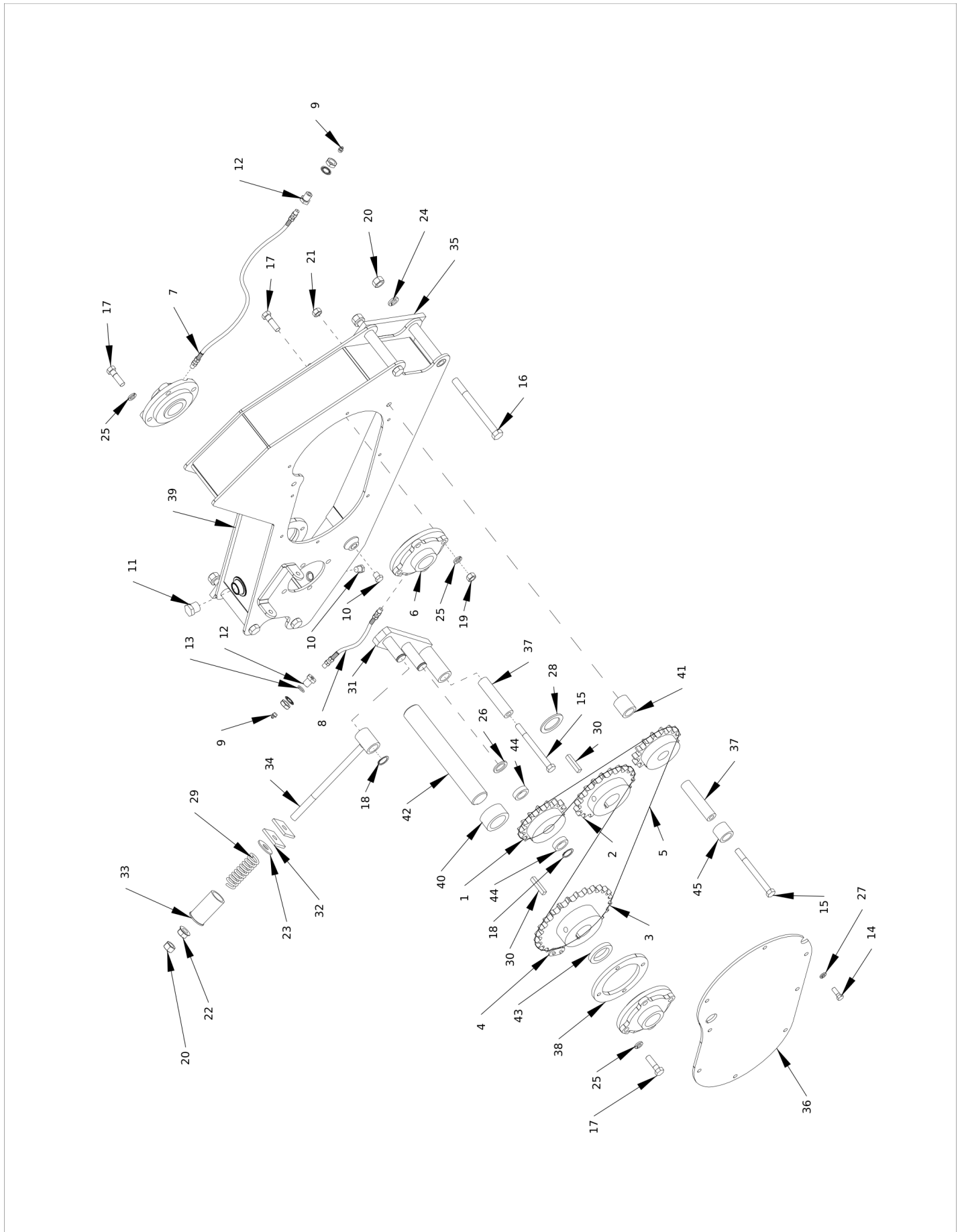
2660/2665 Conveyor Assembly (for SN 0006 and up)

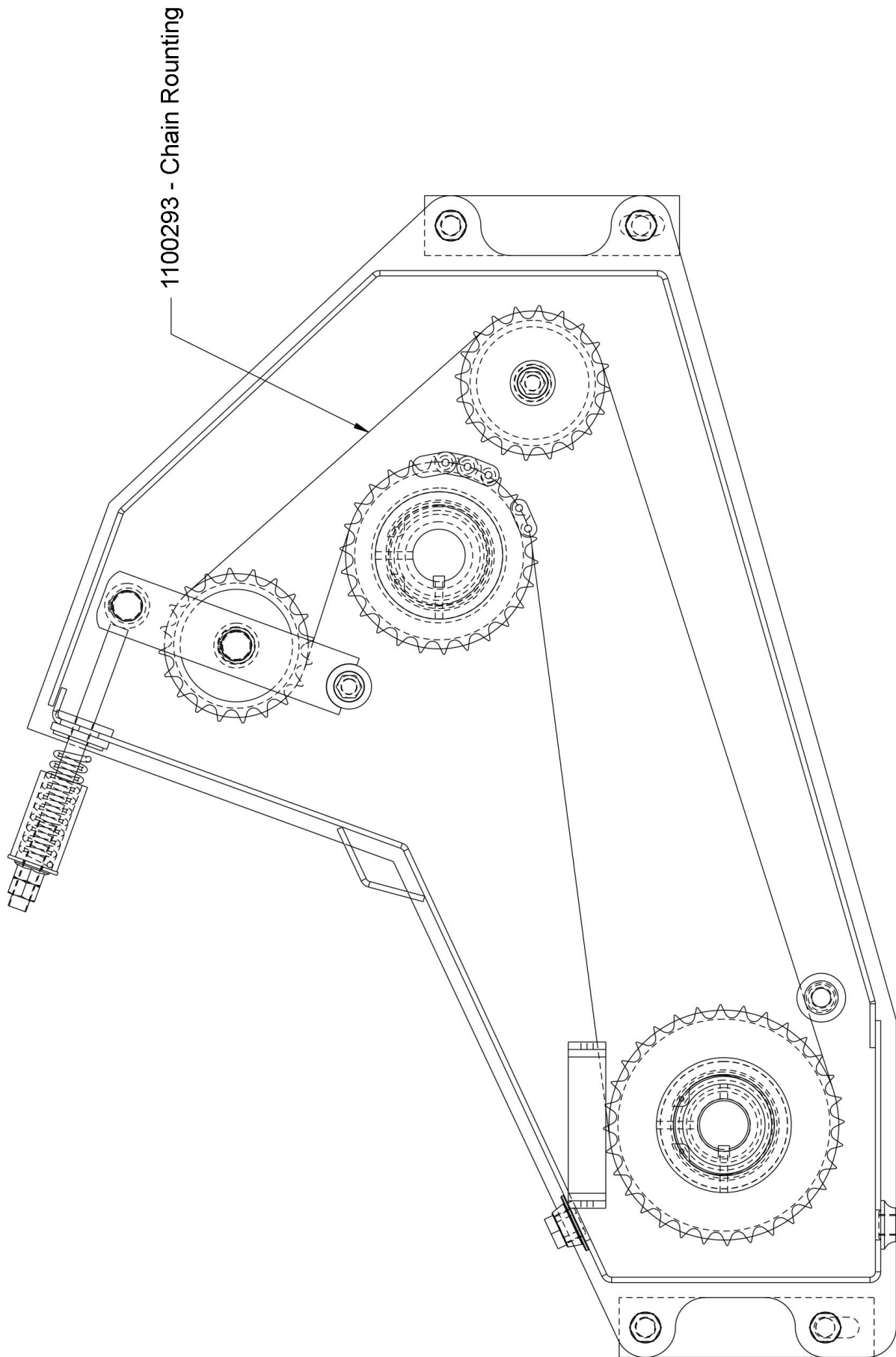
Item	Part No.	Name	Remarks	Qty	Uom
1	1000233	SPKT\60\B\12\1\1\4KW		1	EA.
2	1000306	SPKT\662\7\1-1\4\IDLER		3	EA.
3	1000307	SPKT\662\7\1-1\4\1\4KW\DRV		3	EA.
4	1000308	SPKT\60\B\12\1-1\4\1\4KW		1	EA.
5	1100240	CHAIN\60\12\CPLNG\W-CL		1	EA.
6	1100313	CHAIN\620CA\59\W\ATTCH		3	EA.
7	1100319	CHAIN\620CA\CL\HITACHI		3	EA.
8	2000333	BRG\FLG\CAST\1-1\4\3-BOLT		2	EA.
9	2000805	CLLR\SHFT\1-1\4\W\SET		11	EA.
10	2000827	CLLR\SHFT\1-1\4\TWO-PIECE		1	EA.
11	3701488	HOSE\LUB\1\8X43\MPS-MPS		1	EA.
12	3701488	HOSE\LUB\1\8X43\MPS-MPS		1	EA.
13	3800043	FTG\LUB\1\8MPXZRK\SHORT		2	EA.
14	3800895	FTG\1\8FP\CPLG\ANCHOR\5\8NF		2	EA.
15	3801009	FTG\LUB\1\4-28MX1\8NPTF\45\ELB		2	EA.
16	3900025	MOTOR\HYD\17.9\HAMNT\7\8FOR\1SHFT		1	EA.
17	4800034	BOLT\HEX\3\8X1-1\2		6	EA.
18	4800082	BOLT\HEX\1\2X1-1\2		6	EA.
19	4800098	BOLT\HEX\3\8X1-1\4\NC		6	EA.
20	4800143	SCR\SET\ALN\3\8X3\8\NC		6	EA.
21	4800307	SCR\SET\SQ\3\8X1\NC		1	EA.
22	4800393	BOLT\HEX\5\16X7\8\GR8		60	EA.
23	4900001	NUT\HEX\1\2\NC		6	EA.
24	4900002	NUT\HEX\3\8\NC		8	EA.
25	4900004	NUT\HEX\3\4\NC		1	EA.
26	4900026	NUT\JAM\3\8\NC		1	EA.
27	4900099	NUT\TPLCK\5\16\GR8\NC		60	EA.
28	4900104	NUT\JAM\3\4\NC		6	EA.
29	4900109	NUT\FLG\TPLCK\3\8\NC		6	EA.
30	5000001	WASH\FLAT\3\8		8	EA.
31	5000004	WASH\FLAT\1\2		12	EA.
32	5000006	WASH\LOCK\1\2		6	EA.
33	5000007	WASH\1-1\4\MACH\BUSH		2	EA.
34	5000019	WASH\LOCK\3\8		4	EA.
35	5000041	WASH\3\4\ID\1-1\8OD\16GA		2	EA.
36	6200005	KEY\SQ\1\4X1-1\2		4	EA,
37	6200011	KEY\WDF\1\4X1	(Not Included in 8104042)	1	EA.
38	7501589	BRG\NYLTRN\1-1\4\HALF\2SQ-OD		2	EA.

This page intentionally left blank

2660/2665 Conveyor Assembly (for SN 0006 and up)

Item	Part No.	Name	Remarks	Qty	Uom
39	8101053	PLT\SLAT\2640		10	EA.
40	8101547	PL\RUB\CHAIN\CNVYR		2	EA.
41	8101548	MNT\CNVYR\3\BRK		1	EA.
42	8101549	MNT\CNVYR\3\BRK		1	EA.
43	8101852	MNT\BRG\SPLIT\CNVYR		1	EA.
44	8102030	SHFT\IDLER\1-1/4\CNVYR		1	EA.
45	8102031	SHFT\DRIVE\1-1/4\CNVYR		1	EA.
46	8102032	BRKT\SHAFT\IDLER\CNVYR		1	EA.
47	8102033	BRKT\SHAFT\IDLER\NO-TAP\1-1/4		1	EA.
48	8102034	SUP\SHFT\IDLER\CNVYR\1-1/4		1	EA.
49	8102035	GUARD\TWINE\CNVYR\3HL		2	EA.
50	8102037	FRM\CNVYR\1-1/4SHFT\10SLAT		1	EA.
CA	8102042	CNVYR\ASSY\1-1/4SHFT\10-SLAT\COMPLETE	3900025 is NOT included, (Item #37 6200011 is not Included in this assembly)		EA.





This page intentionally left blank

2660/2665 Drive Chain Assembly (for SN 0001 thru 0005)

Item	Part No.	Name	Remarks	Qty	Uom
1	1000276	SPKT\B\80\15\HT\1\IDLER		2	EA.
2	1000277	SPKT\80\B\20\HT\1-3/4\3/8KW		1	EA.
3	1000294	SPKT\B\80\26\HT\1-3/4\3/8KW		1	EA.
4	1100162	CHAIN\80H\CL		1	EA.
5	1100293	CHAIN\80H\97 LINKS		1	EA.
6	2000339	BRG\FLG\CAST\PILOTED\1-3/4		3	EA.
7	3700769	HOSE\LUB\1/8X23\MPS-MPS		1	EA.
8	3700770	HOSE\LUB\1/8X8-1/2\MPS-MPS		1	EA.
9	3800043	FTG\LUB\1/8MPXZRK\SHORT		2	EA.
10	3800173	FTG\3/8MP\PLUG\HEX		2	EA.
11	3800452	FTG\3/4MP\VENT\BREATHER		1	EA.
12	3800895	FTG\1/8FP\CPLG\ANCHOR\5/8NF		2	EA.
13	3800896	FTG\O-RING\5/8IDX13/16OD		1	EA.
14	4800003	BOLT\HEX\3/8X1		8	EA.
15	4800077	BOLT\HEX\1/2X5-1/2		2	EA.
16	4800155	BOLT\HEX\5/8X7		4	EA.
17	4800178	BOLT\HEX\1/2X1-3/4		12	EA.
18	4800904	SNSPRNG\EXT\1"		2	EA.
19	4900001	NUT\HEX\1/2\NC		4	EA.
20	4900005	NUT\HEX\5/8\NC		5	EA.
21	4900014	NUT\PLCK\1/2\NC		2	EA.
22	4900110	NUT\FLG\SERR\5/8\NC		1	EA.
23	5000002	WASH\FLAT\5/8		2	EA.
24	5000003	WASH\LOCK\5/8		4	EA.
25	5000006	WASH\LOCK\1/2		12	EA.
26	5000018	WASH\FLAT\1\10GA\1-1/2 O.D.		1	EA.
27	5000019	WASH\LOCK\3/8		8	EA.
28	5000051	WASH\MACH\1-3/4ID\10GA\PL		1	EA.
29	6100076	SPRING\1-1/4ODX3-3/4 LX3/16WX10		1	EA.
30	6200008	KEY\SQ\3/8X2		2	EA.
31	8101043	BRKT\IDLER\CHAIN\DRIVE		1	EA.
32	8101077	RUBBER\CUSHION		2	EA.
33	8101078	BRKT\LIMIT\SPRING		1	EA.
34	8101079	ROD\IDLER\CONTROLL		1	EA.
35	8101080	BRKT\MNT\CHAIN\DRIVE		2	EA.
36	8101081	SHLD\HSG\DRV\PTO		1	EA.
37	8101084	MNT\IDLER\DRV\PTO		2	EA.
38	8101307	RING\MNT\BRG		2	EA.

This page intentionally left blank

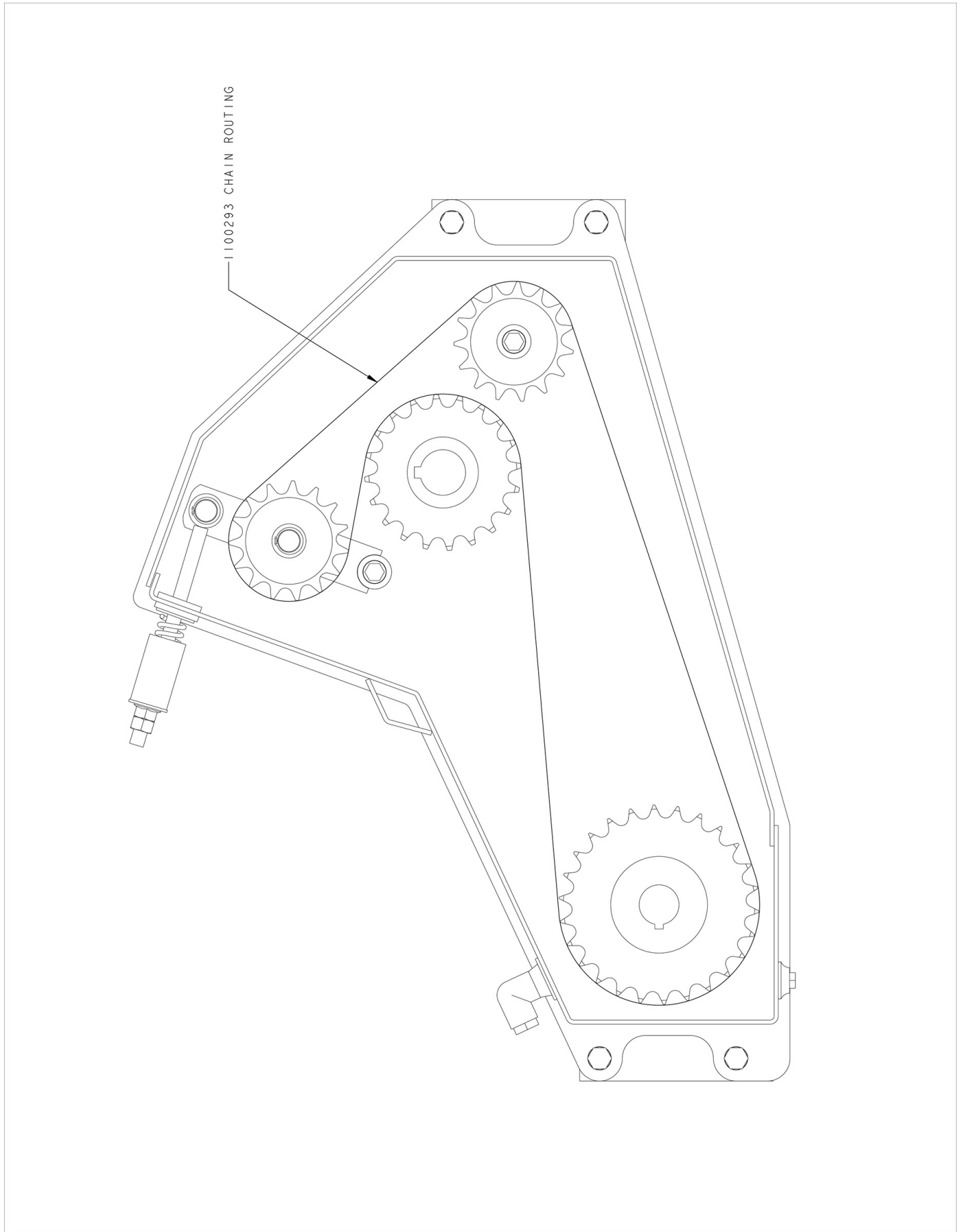
2660/2665 Drive Chain Assembly (for SN 0001 thru 0005)

Item	Part No.	Name	Remarks	Qty	Uom
39	8101309	CASE\CHAIN		1	EA.
40	8101709	TUBE\SPCR\DRV\PTO		1	EA.
41	8101710	BRKT\IDLER\DRV\PTO		1	EA.
42	8101712	SHFT\DRV\CHAIN\PTO		1	EA.
43	8101789	TUBE\SPCR\DRV\PTO>3/8"		1	EA.
44	8101790	TUBE\IDLER\DRV\PTO>7/16" LONG		2	EA.
45	8101791	TUBE\IDLER\DRV\PTO>1-1/4" LONG		1	EA.
CA	8101788	HSG\CHAIN\W-FLG-BRG\2650 2655			EA.

2660/2665 Drive Chain Assembly (for SN 0006 and Up)

2660/2665 Balebuster Parts Reference





This page intentionally left blank

2660/2665 Drive Chain Assembly (for SN 0006 and Up)

Item	Part No.	Name	Remarks	Qty	Uom
1	1000276	SPKT\B\80\15\HT\1\IDLER		2	EA.
2	1000294	SPKT\B\80\26\HT\1-3/4\3/8KW		1	EA.
3	1000301	SPKT\B\80\20\HT\2\1/2KW		1	EA.
4	1100162	CHAIN\80H\CL		1	EA.
5	1100293	CHAIN\80H\97 LINKS		1	EA.
6	2000339	BRG\FLG\CAST\PILOTED\1-3/4		2	EA.
7	2000340	BRG\FLG\CAST\PILOTED\2		1	EA.
8	3700769	HOSE\LUB\1\8X23\MPS-MPS		1	EA.
9	3700770	HOSE\LUB\1\8X8-1/2\MPS-MPS		1	EA.
10	3800043	FTG\LUB\1\8MPXZRK\SHORT		2	EA.
11	3800129	FTG\3\4MPX\3\4FP\90\ST;EL		1	EA.
12	3800173	FTG\3\8MP\PLUG\HEX		2	EA.
13	3800452	FTG\3\4MP\VENT\BREATHER		1	EA.
14	3800895	FTG\1\8FP\CPLG\ANCHOR\5\8NF		2	EA.
15	3800896	FTG\O-RING\5\8IDX13\16OD		1	EA.
16	4800003	BOLT\HEX\3\8X1		8	EA.
17	4800077	BOLT\HEX\1\2X5-1/2		2	EA.
18	4800155	BOLT\HEX\5\8X7	(for SN 0006 to 0010)	4	EA.
18A	4800144	BOLT\HEX\5\8X6-1/2	(for SN 0011 & Up)		EA.
19	4800178	BOLT\HEX\1\2X1-3/4		12	EA.
20	4800904	SNSPRNG\EXT\1"		2	EA.
21	4900001	NUT\HEX\1\2\NC		4	EA.
22	4900005	NUT\HEX\5\8\NC		5	EA.
23	4900014	NUT\TPLCK\1\2\NC		2	EA.
24	4900110	NUT\FLG\SERR\5\8\NC		1	EA.
25	5000002	WASH\FLAT\5\8		2	EA.
26	5000003	WASH\LOCK\5\8		4	EA.
27	5000006	WASH\LOCK\1\2		12	EA.
28	5000018	WASH\FLAT\1\10GA\1-1/2 O.D.		1	EA.
29	5000019	WASH\LOCK\3\8		8	EA.
30	5000051	WASH\MACH\1-3/4ID\10GA\PL		1	EA.
31	6100076	SPRING\1-1/4ODX3-3/4 LX3\16WX10		1	EA.
32	6200008	KEY\SQ\3\8X2		1	EA.
33	6200097	KEY\SQ\1\2X1-1/2		1	EA.
34	8101043	BRKT\IDLER\CHAIN\DRIVE		1	EA.
35	8101077	RUBBER\CUSHION		2	EA.
36	8101078	BRKT\LIMIT\SPRING		1	EA.
37	8101079	ROD\IDLER\CONTROLL		1	EA.

This page intentionally left blank

2660/2665 Drive Chain Assembly (for SN 0006 and Up)

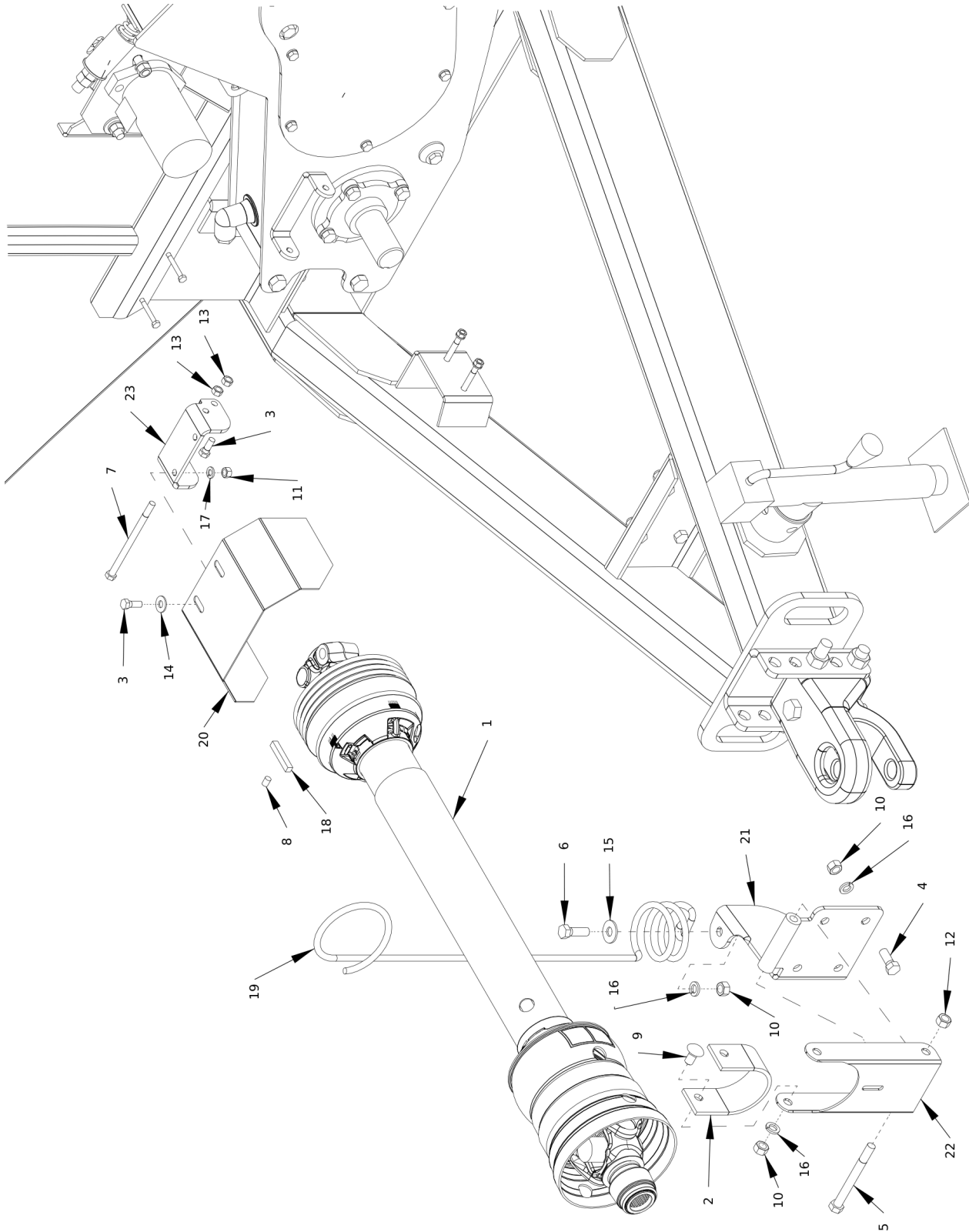
Item	Part No.	Name	Remarks	Qty	Uom
38	8101081	SHLD\HSG\DRV\PTO		1	EA.
39	8101084	MNT\IDLER\DRV\PTO		2	EA.
40	8101116	BRKT\SPACER\IDLER\GRBX		1	EA.
41	8101307	RING\MNT\BRG		2	EA.
42	8101636	SPCR\MNT\CHAINDRIVE	(for SN 0006 to 0010)	2	EA.
42A	8101344	SPCR\MNT\CHAINDRIVE\10GA	(for SN 0011 & Up)		EA.
43	8101712	SHFT\DRV\CHAIN\PTO		1	EA.
44	8101898	CASE\CHAIN\2" BRG		1	EA.
45	8101899	TUBE\IDLER\DRV\7/8"		2	EA.
46	8101900	TUBE\SPCR\1-5/8"\DRV		1	EA.
CA	8101897	HSG\CHAIN\FLG-BRG\2"SHFT- OUT\COMPLETE			EA.

2660/2665 Standard Driveline Assembly

Item	Part No.	Name	Remarks	Qty	Uom
1	2000514	BRG\PB\1-3/4\2BOLTMALLEABLE		1	EA.
2	3600453	JOINT\44\1-3/4BORE\ASSY		1	EA.
3	3600459	PTO\252-21797\44R		1	EA.
4	4800003	BOLT\HEX\3/8X1		2	EA.
5	4800044	PIN\COT\5/32X1-1/2		1	EA.
6	4800068	BOLT\HEX\1/2X3		2	EA.
7	4800082	BOLT\HEX\1/2X1-1/2		1	EA.
8	4800210	BOLT\HEX\3/8X6		1	EA.
9	4800251	BOLT\HEX\1/2X2-1/4\NC		2	EA.
10	4800592	BOLT\HEX\1/2X3-1/4		4	EA.
11	4900001	NUT\HEX\1/2\NC		3	EA.
12	4900002	NUT\HEX\3/8\NC		3	EA.
13	4900014	NUT\PLCK\1/2\NC		6	EA.
14	5000001	WASH\FLAT\3/8		2	EA.
15	5000004	WASH\FLAT\1/2		8	EA.
16	5000006	WASH\LOCK\1/2		3	EA.
17	5000019	WASH\LOCK\3/8		19	EA.
18	6100028	2-1/4 COMP SPR.125 X .725		4	EA.
19	6100031	SPRING\COMP\072W\25/32OD		1	EA.
20	6200020	KEY\SQ\3/8X2-1/4\HARDEND		3	EA.
21	7500170	HOSE MINDER		1	EA.
22	8101071	LATCH\SHLD		1	EA.
23	8101072	SHLD\PTO		1	EA.
24	8101073	BRKT\BRG\PTO\2650		1	EA.
25	8101074	SHFT\DRV\PTO		1	EA.
26	8101076	MNT\SHLD\DRV		1	EA.
CA	8101826	DRV\ASSY\STD			EA.

2660/2665 Constant Velocity Driveline Assembly

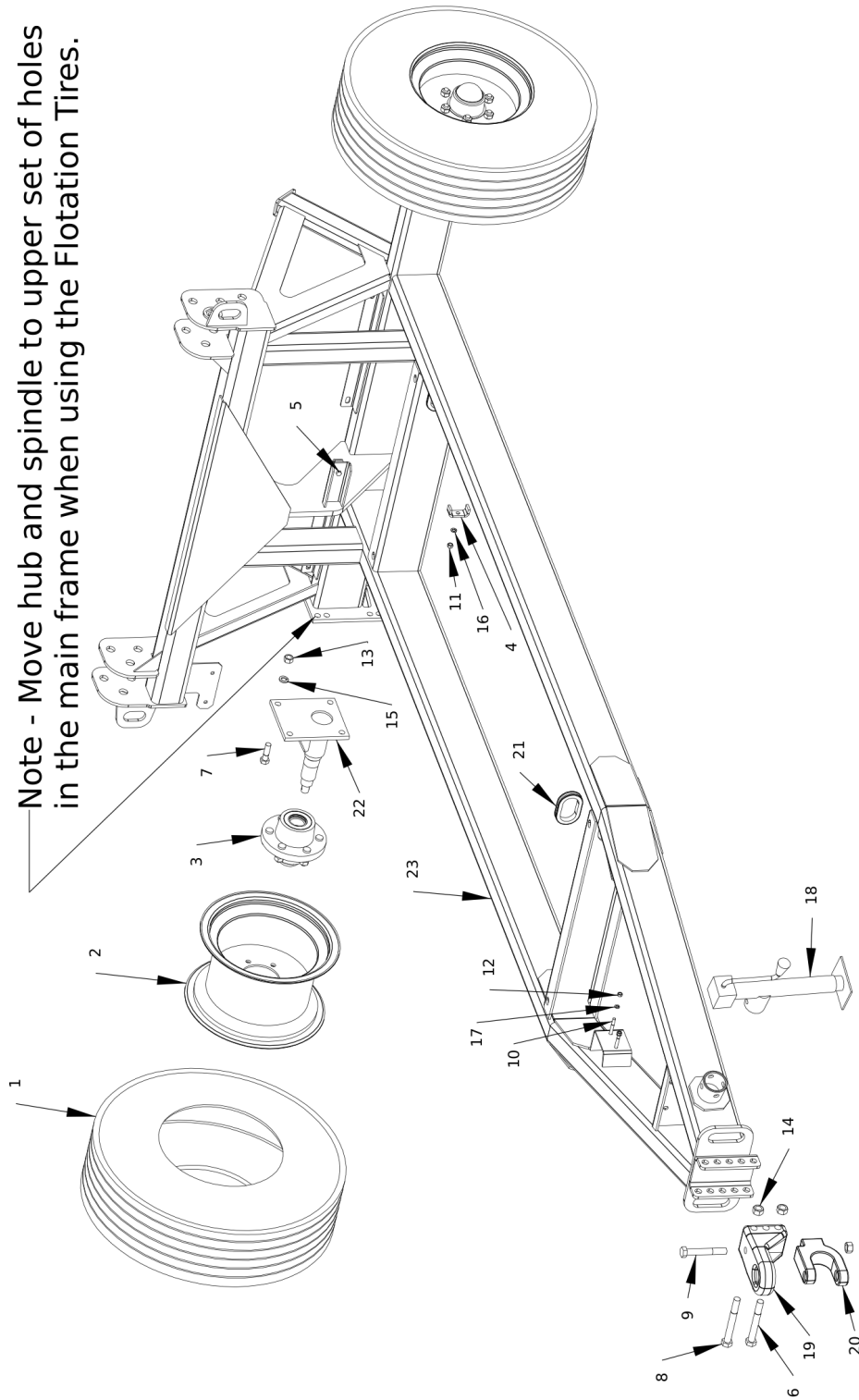
2660/2665 Balebuster Parts Reference



2660/2665 Constant Velocity Driveline Assembly

Item	Part No.	Name	Remarks	Qty	Uom
1	3600684	PTO\44E\CAT5\80CV\21SP\1-3/8>		1	EA.
2	4500754	BELT\BRKT\PTO		1	EA.
3	4800003	BOLT\HEX\3/8X1		4	EA.
4	4800018	BOLT\HEX\1/2X1-1/4		4	EA.
5	4800041	BOLT\HEX\1/2X5		1	EA.
6	4800082	BOLT\HEX\1/2X1-1/2		1	EA.
7	4800210	BOLT\HEX\3/8X6		1	EA.
8	4800356	SCR\SET\ALN\3/8X1/2\NC		1	EA.
9	4800908	BOLT\CRG\1/2X1		2	EA.
10	4900001	NUT\HEX\1/2\NC		7	EA.
11	4900002	NUT\HEX\3/8\NC		2	EA.
12	4900014	NUT\PLCK\1/2\NC		1	EA.
13	4900023	NUT\PLCK\3/8\NC		3	EA.
14	5000001	WASH\FLAT\3/8		2	EA.
15	5000004	WASH\FLAT\1/2		1	EA.
16	5000006	WASH\LOCK\1/2		7	EA.
17	5000019	WASH\LOCK\3/8		2	EA.
18	6200020	KEY\SQ\3/8X2-1/4\HARDEND		1	EA.
19	7500170	HOSE MINDER		1	EA.
20	8101795	SHLD\PTO		1	EA.
21	8101796	MNT\HOSEMINDER\MNFRM		1	EA.
22	8101803	BRKT\PTO		1	EA.
23	8101825	MNT\SHLD\DRV		1	EA.
CA	8101827	DRV\ASSY\CV			EA.

Note - Move hub and spindle to upper set of holes in the main frame when using the Flotation Tires.

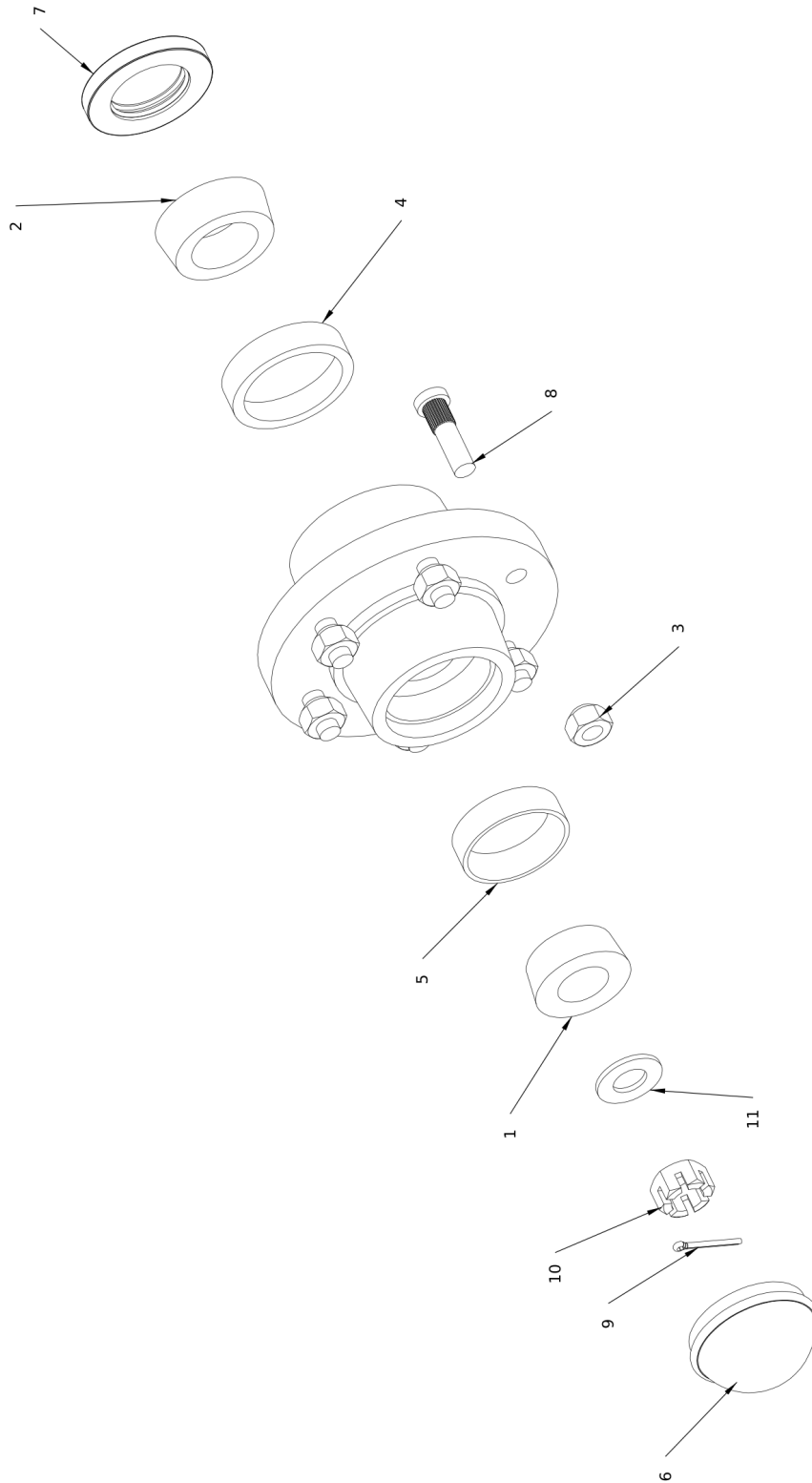


2660/2665 Mainframe Assembly

Item	Part No.	Name	Remarks	Qty	Uom
CA	2600823	WHL\HWY\31X10.5X15\TIRE&RIM	Highway Rated Tires (Includes 2600041 and 2600624)		EA.
1	2600041	Tire\31X10.5X15 Highway Tire		2	EA.
2	2600624	Wheel, 15" x 10 6-Bolt		2	EA.
CA	2600848	WHL\IMP-1\ASSY\14LX16.1	Flotation Tires (Includes 2600846 and 2600652)		EA.
1	2600846	TIRE\14LX16.1\8PLY		2	EA.
2	2600652	WHL\6-BOLT\16.1X11		2	EA.
CA	2600877	WHL\KNOBBY\TIRE&RIM\14X17.5\6BOLT>	Knobby Tires (Includes 2600058 and 2600654)		EA.
1	2600058	TIRE\14X17.5\KNOBBY		2	EA.
2	2600654	RIM\6-BOLT\KNOBBY		2	EA.
3	2900171	HUB\6-BOLT\STUDS\COMPLETE		2	EA.
4	4700777	CLMP\HOSE\1/2		4	EA.
5	4800146	BOLT\HEX\3/8X2		4	EA.
6	4800248	BOLT\HEX\3/4X6		1	EA.
7	4800350	BOLT\HEX\5/8X2-1/4		8	EA.
8	4800382	BOLT\HEX\3/4X6-1/2		1	EA.
9	4800562	BOLT\HEX\3/4X5\GR8\NC		1	EA.
10	4800570	BOLT\HEX\5/16X2-1/2		2	EA.
11	4900002	NUT\HEX\3/8\NC		4	EA.
12	4900003	NUT\HEX\5/16\NC		2	EA.
13	4900005	NUT\HEX\5/8\NC		8	EA.
14	4900139	NUT\PLCK\3/4\GR8\NC		3	EA.
15	5000003	WASH\LOCK\5/8		8	EA.
16	5000019	WASH\LOCK\3/8		4	EA.
17	5000022	WASH\LOCK\5/16		2	EA.
18	5800632	JACK\5000LB\15"\SWIVEL-STYLE		1	EA.
19	7501047	HITCH\BASE\#3\PP\1"PIN		1	EA.
20	7501048	HITCH\CLEVIS\PP\1"PIN		1	EA.
21	7501069	GRMT\RBBR\2X1.75IDX1/4T		2	EA.
22	8101828	SPNDL\BOLT-ON\HVY_DUTY		2	EA.
23	8101874	MNFRM\2660		1	EA.
NS	1100275	CHAIN\1/4\SFTY\AG\11000LB		1	EA.
NS	5000005	WASH\FLAT\3/4		1	EA.
NS	5000030	WASH\FLAT\13/16\2OD\1/4T		1	EA.

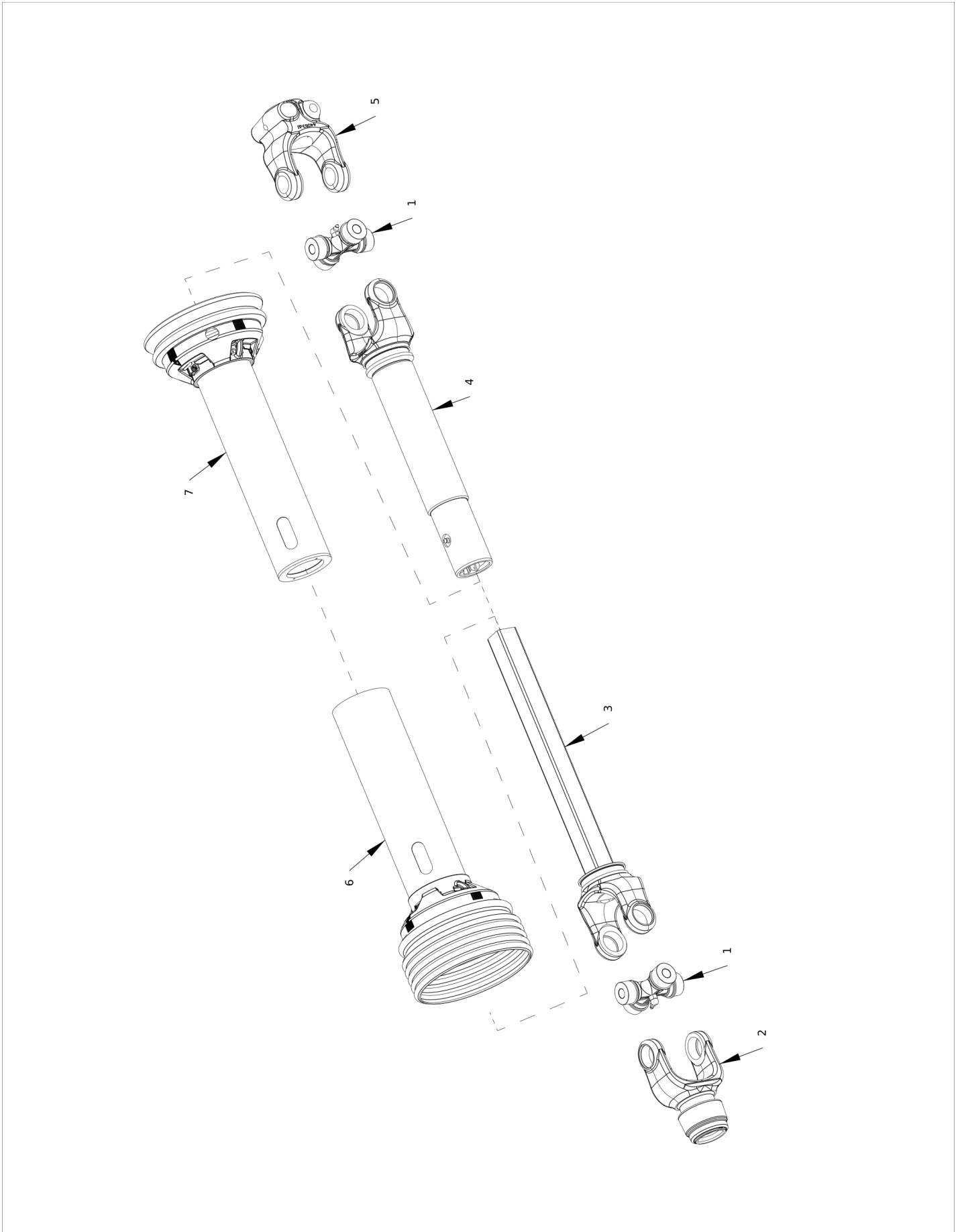
2660/2665 Wheel and Bearing Assembly

2660/2665 Balebuster Parts Reference



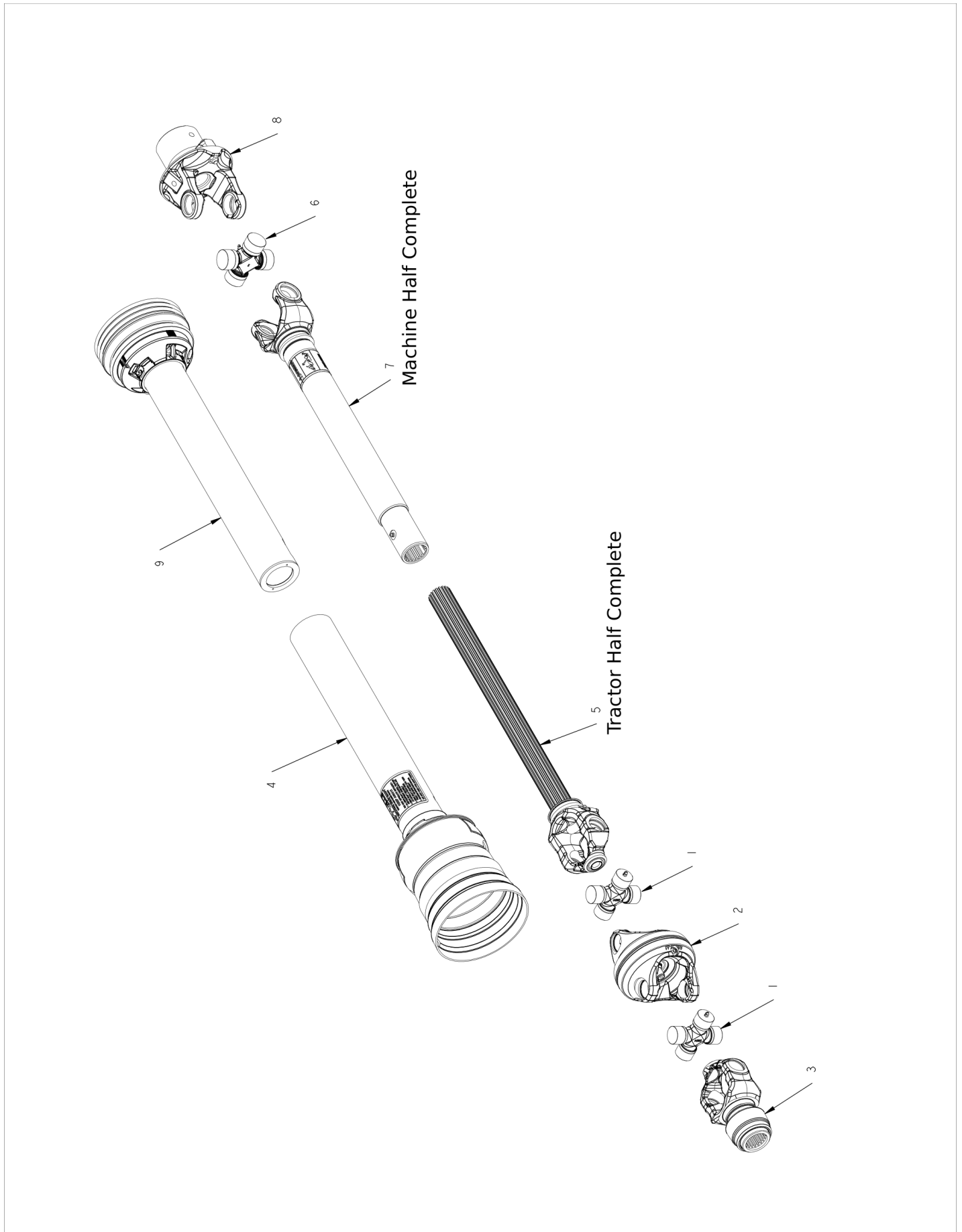
2660/2665 Wheel and Bearing Assembly

Item	Part No.	Name	Remarks	Qty	Uom
1	2900024	CONE\BRG\OUTER\25877		1	EA.
2	2900029	CONE INNER/WHEL HUB\25590		1	EA.
3	2900083	NUT\WHL\9/16-18\UNF		6	EA.
4	2900164	BRG\CUP\INNER\875		1	EA.
5	2900165	BRG\CUP\OUTER\875		1	EA.
6	2900168	CAP\DUST\875		1	EA.
7	2900169	SEAL\GREASE\875 *VERIFY* O.D. MUST BE 3-3/8, for O.D. 3-5/8 order 2900030	VERIFY O.D. MUST BE 3-3/8, for 3-5/8 order 2900030, (2660-for SN up to 1971) (2665-fro SN up to 0700)	1	EA.
7A	2900030	SEAL/WHEEL HUB(20148 *VERIFY* O.D. MUST BE 3-5/8, for O.D. 3-3/8 order 2900169	*VERIFY* O.D. MUST BE 3-5/8, for O.D. 3-3/8 order 2900169, (2660-for SN 1972 and up) (2665-for SN 0701 and up)	1	EA.
8	2900172	STUD\WHL\9/16-18X2-1/8\GR5\P151403		6	EA.
9	4800044	PIN\COT\5/32X1-1/2		1	EA.
10	4900054	NUT\CASTLE\7/8\NF		1	EA.
11	5000055	WASH\SPNDL\7/8 FLAT		1	EA.
CA	2900171	HUB\6-BOLT\STUDS\COMPLETE			EA.



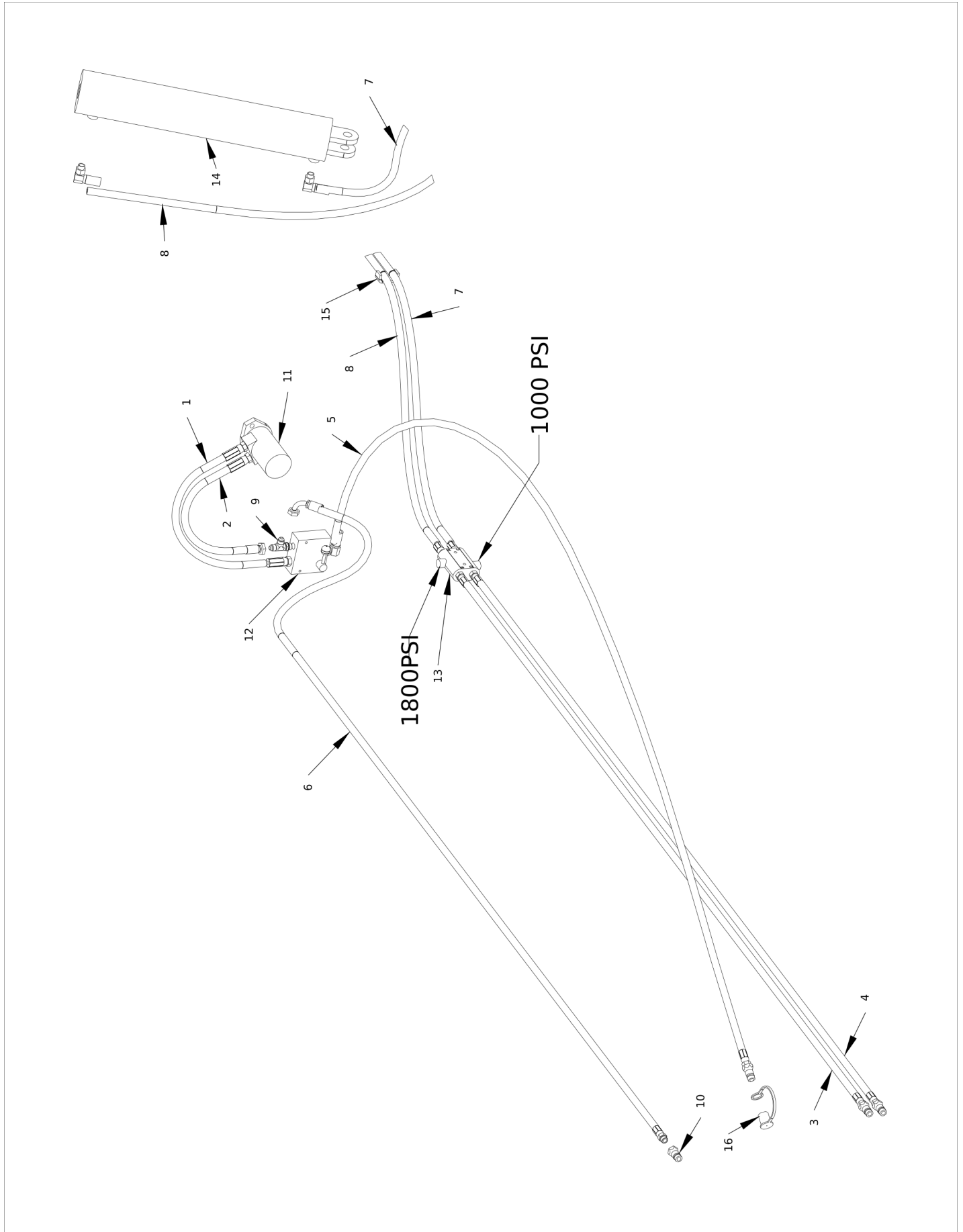
3600459 PTO Assembly

Item	Part No.	Name	Remarks	Qty	Uom
1	3600115	440 CROSS AND BEARING KIT		2	EA.
2	3600363	SLIDE LOCK YOKE ASSY		1	EA.
2A	3600390	YOKE\44\20SPL\1-3/4BORE\SAFETY SLIDE LOCK		1	EA.
3	3600364	YOKE & SHAFT 3600334		1	EA.
4	3600368	YOKE,TUBE,SLIP SLEEVE		1	EA.
5	3600369	YOKE 36-334 2544		1	EA.
6	3600460	GUARD\SET\PTO\3600459		1	EA.
7	3600460	GUARD\SET\PTO\3600459		1	EA.
CA	3600459	PTO\252-21797\44R			EA.
	3600453	JOINT\44\1-3/4BORE\ASSY	(Includes #1 & #5)		EA.
	3600462	JOINT & SHAFT ASM W-GUARD	(Includes #1, #2, #3 & #6)		EA.
	3600463	JOINT & TUBE ASY W-GUARD	(Includes #1, #4, #5, & #7)		EA.
NS	3600271	LOCK\SAFTY;SLID\KIT\1-3/8			EA.
NS	3600489	NYLON\REPAIR\KIT			EA.



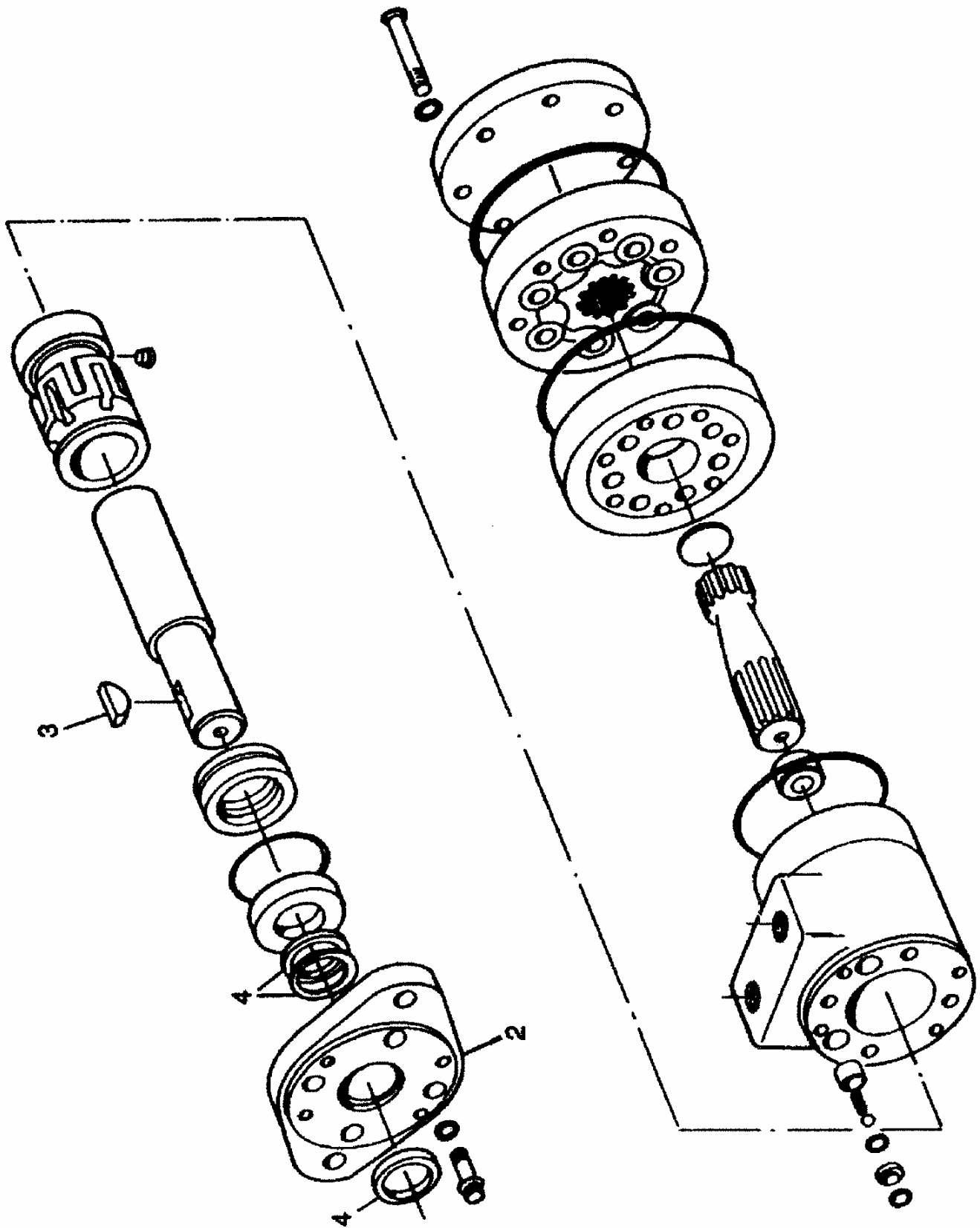
3600684 PTO Assembly

Item	Part No.	Name	Remarks	Qty	Uom
1	3600764	CROSS&BRG\CAT6\80DEG\CV		2	EA.
2	3600765	CENTER-HOUSING		1	EA.
3	3600763	YOKE\44E\1-3/8CV-21\CAT6\AL		1	EA.
3A	3600782	YOKE\44E\WWCV\1-3/4\20SP\AL		OPTION	EA.
4	3600761	GUARD\OUTER\3600684		1	EA.
5	3600869	PTO\HALF\TRACTOR\3600684	Includes 3600764, 3600765, 3600761 and 3600763 or 3600782	1	EA.
6	3600604	CROSS&BRG\44E\WSLR		1	EA.
7	3600685	ORDER 3600684	Includes 3600604, 3600369 and 3600762	1	EA.
8	3600369	YOKE 36-334 2544		1	EA.
9	3600762	GUARD\INNER\3600684		1	EA.
CA	3600684	PTO\44E\CAT5\80CV\21SP\1-3/8>			EA.
NS	3600489	NYLON\REPAIR\KIT			EA.



2660/2665 Hydraulic Hoses and Fittings

Item	Part No.	Name	Remarks	Qty	Uom
1	3700537	HOSE\HYD\1/2X40\7/8MOR-3/4MOR		1	EA.
2	3700538	HOSE\HYD\1/2X38\7/8MOR-3/4FJIC		1	EA.
3	3700604	HOSE\HYD\1/2X108\3/4MOR-3/4MORS		1	EA.
4	3700604	HOSE\HYD\1/2X108\3/4MOR-3/4MORS		1	EA.
5	3700617	HOSE\HYD\1/2X112\3/4MORSX3/4MOR		1	EA.
6	3700618	HOSE\HYD\1/2X118\3/4MORX3/4FJIC90		1	EA.
7	3701508	HOSE\HYD\1/2X146\3/4MORS3/4MORS90		1	EA.
8	3701509	HOSE\HYD\1/2X170\3/4MORS3/4MORS90		1	EA.
9	3800483	FTG\3/4MORX3/4MJICX3/4MJIC\RUN;TEE		1	EA.
10	3800694	FTG\3/4FOR\QUICK;CPLR\FEMALE		4	EA.
11	3900025	MOTOR\HYD\17.9\HAMNT\7/8FOR\1SHFT		1	EA.
12	4000213	VALVE\CONTROL\FLOW\3/4MOR		1	EA.
12a	4000331	VALVE\FLW-CRTL\#8FOR			EA.
13	4000234	VALVE\RELIEF\CROSS\RC13BB		1	EA.
14	4100273	CYL\HYD\4-1/2X24\1-3/4 -CANADIAN TOOL & DIE		1	EA.
15	4700777	CLMP\HOSE\1/2		4	EA.
16	7501361	CAP\YELLOW\DUST\HOSE\HYD		2	EA.
16a	7501362	CAP\RED\DUST\HOSE\HYD		2	EA.



3900025 Orbit Motor Assembly

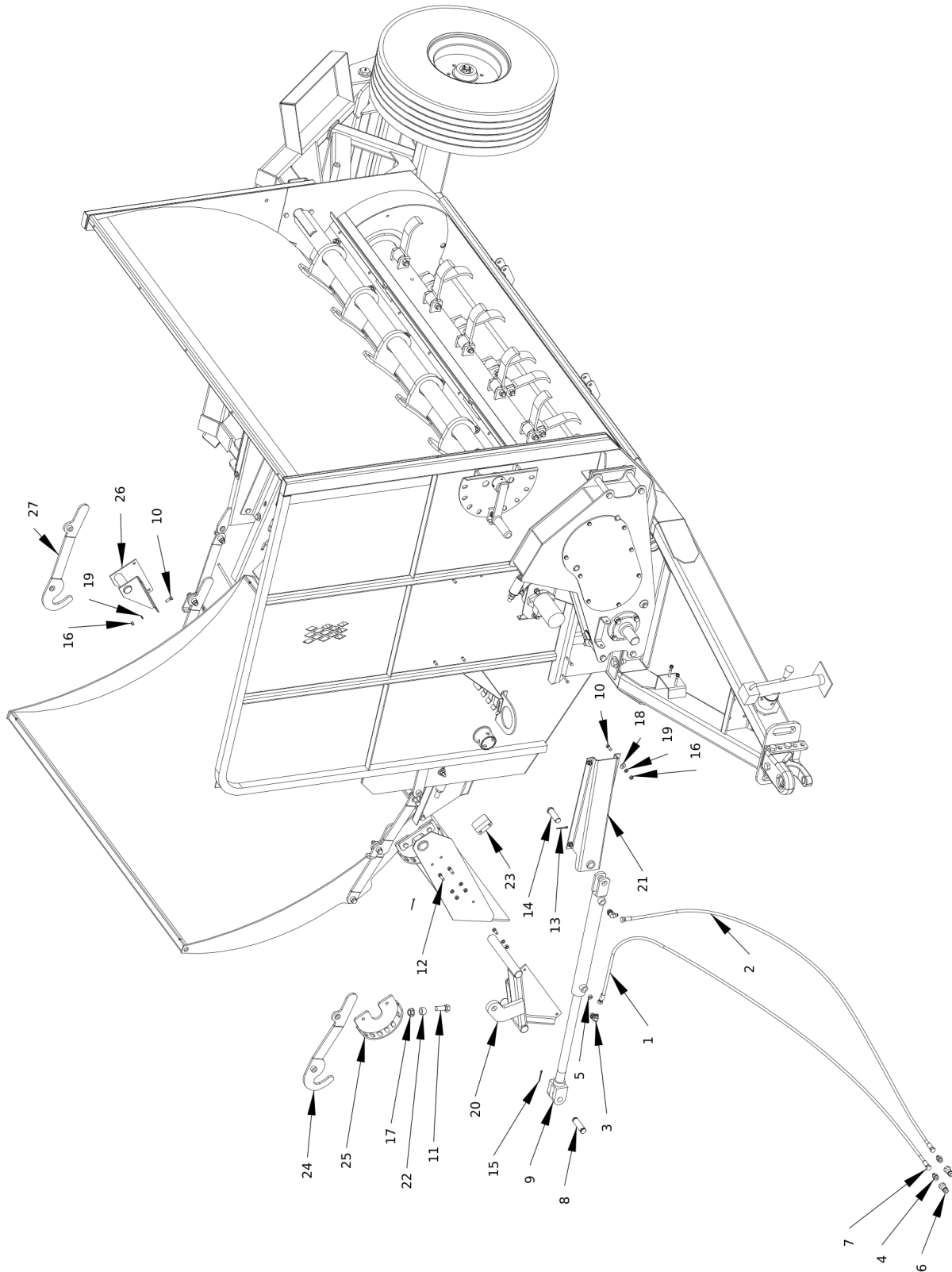
Item	Part No.	Name	Remarks	Qty	Uom
1	3900025	MOTOR\HYD\17.9\HAMNT\7/8FOR\1SHFT			EA.
2	3900002	MOUNTING FLANGE		1	EA.
3	6200011	KEY\WDF\1/4X1		1	EA.
4	7501038	UNI SEAL KIT 007-009		1	EA.

400331-Flow Control Valve

Item	Part No.	Name	Remarks	Qty	Uom
1	400331	VALVE\FLW-CRTL\#8FOR			EA.
2	400334	HDL\ASSY\V\HYD			EA.
3	400335	SEAL\KIT\V\HYD			EA.
4	400336	SNAP RING\V\HYD			EA.

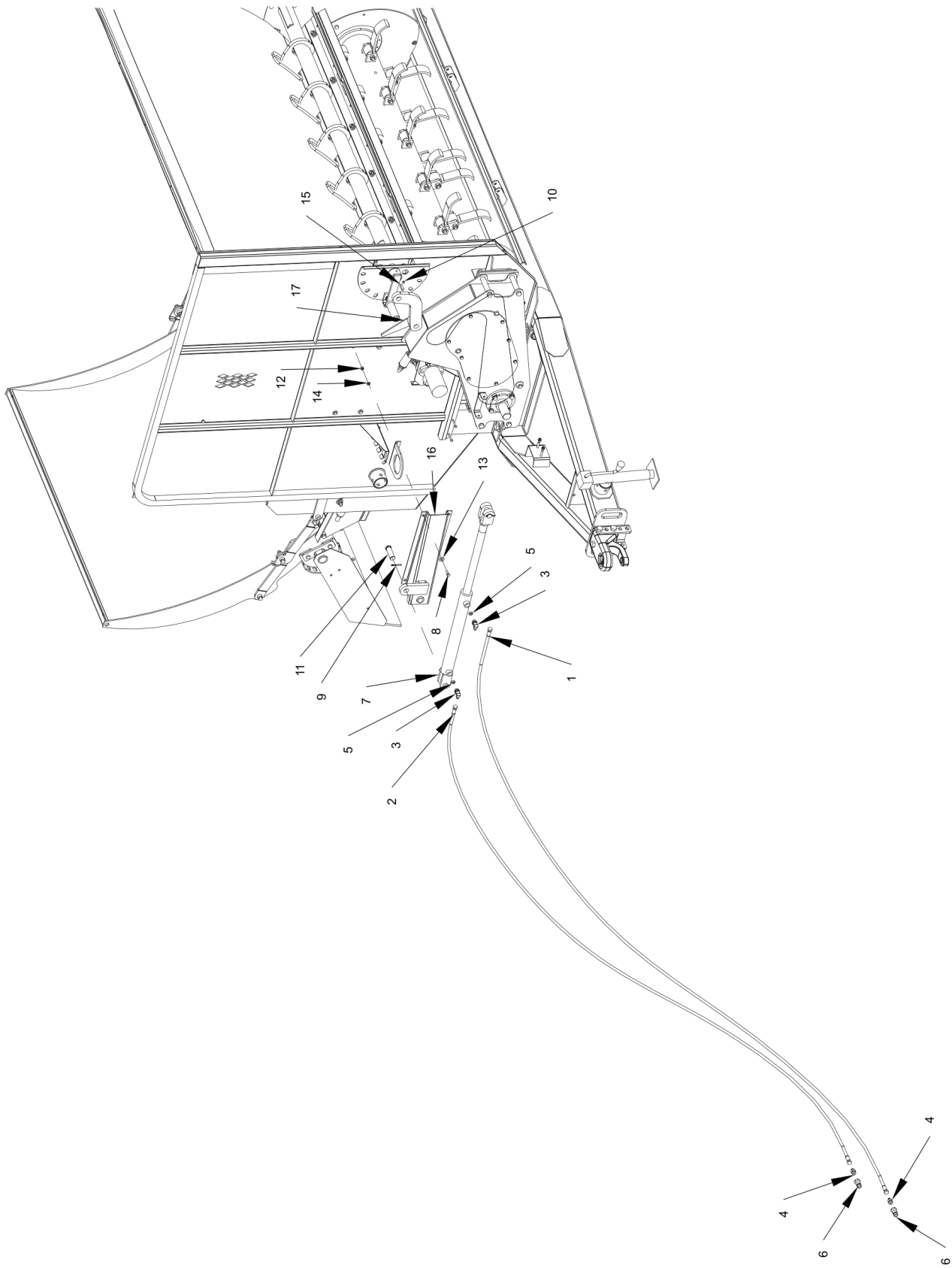
2660/2665 Hydraulic Rack and Deflector

2660/2665 Balebuster Parts Reference



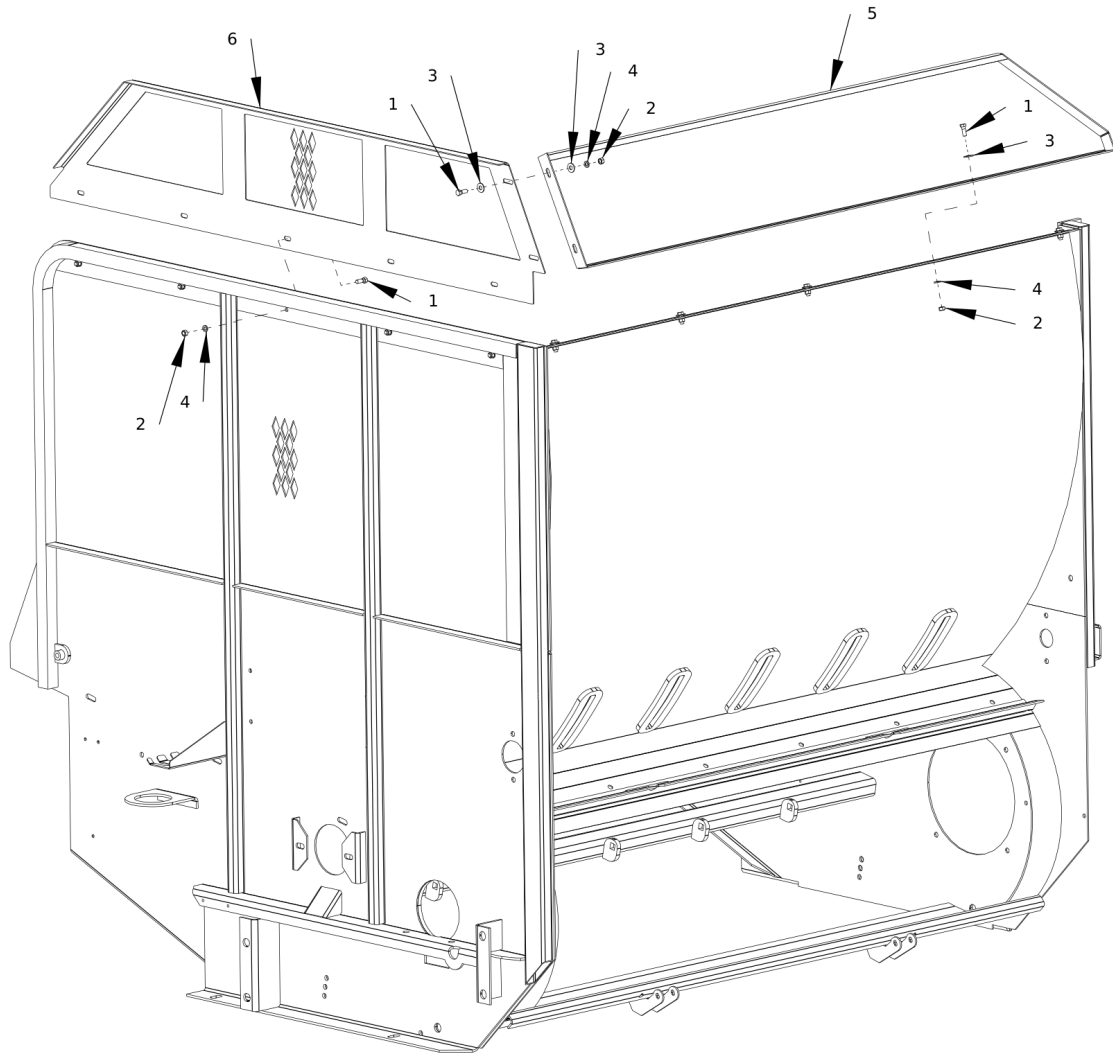
2660/2665 Hydraulic Rack and Deflector

Item	Part No.	Name	Remarks	Qty	Uom
1	3700609	HOSE\HYD\1\4X162\9\16FJC9\16FJIC		1	EA.
2	3700651	HOSE\HYD\1\4X144\9\16FJIC		1	EA.
3	3800453	FTG\3\4MORX9\16MJIC\90		2	EA.
4	3800530	FTG\3\4MORX9\16MJIC\ST		2	EA.
5	3800683	FTG\3\4MOR\ORFICE\0.0490"		1	EA.
6	3800694	FTG\3\4FOR\QUICK\CPLR\FEMALE		2	EA.
7	3800720	FTG\9\16FJICX1\4BARB\SW		4	EA.
8	4100030	PIN 1" X 3-1/2" HYD. CYL.		1	EA.
8A	4800977	PIN\CLEVIS\1X3-1/4			EA.
9	4100229	CYL\HYD\2X18\1-1/4ROD		1	EA.
9A	4100326	CYL\HYD\2X18\1-1/4ROD-RAM INDUSTRIES		1	EA.
10	4800003	BOLT\HEX\3\8X1		9	EA.
11	4800033	BOLT\HEX\3\4X2		1	EA.
12	4800098	BOLT\HEX\3\8X1-1/4\NC		2	EA.
13	4800530	PIN\COT\1\8X1-3/4		1	EA.
14	4800185	PIN\CLEVIS\1X3		1	EA.
15	4800203	PIN\COT\5\32X2		2	EA.
16	4900002	NUT\HEX\3\8\NC		11	EA.
17	4900158	NUT\FLG\SERR\3\4\NC		1	EA.
18	5000001	WASH\FLAT\3\8		4	EA.
19	5000019	WASH\LOCK\3\8		11	EA.
20	8101055	MNT\CYL\DFLCTR		1	EA.
21	8101057	MNT\CYL\SHRDR\DFLCTR		1	EA.
22	8101096	BRKT\STOP\HYD\LOADER		1	EA.
23	8101097	BRKT\LATCH\DFLCTR		1	EA.
24	8101098	BRKT\STRAP\RACK\HOOK\2650		1	EA.
25	8101146	MNT\DFLCTR\W-INDEX		1	EA.
26	8102004	MNT\ROD\DFLTR\REAR		1	EA.
27	8102005	STRAP\RACK\HOOK\REAR		1	EA.
CA	8102102	CNTRL\DEFL\HYD\KIT\26XX SERIES			EA.



Optional Hydraulic Slugbar

Item	Part No.	Name	Remarks	Qty	Uom
1	3700609	HOSE\HYD\1\4X162\9\16FJC9\16FJIC		1	EA.
2	3700651	HOSE\HYD\1\4X144\9\16FJIC		1	EA.
3	3800453	FTG\3\4MORX9\16MJIC\90		2	EA.
4	3800530	FTG\3\4MORX9\16MJIC\ST		2	EA.
5	3800683	FTG\3\4MOR\ORFICE\0.0490"		2	EA.
6	3800694	FTG\3\4FOR\QUICK;CPLR\FEMALE		2	EA.
7	4100229	CYL\HYD\2X18\1-1\4ROD		1	EA.
	4100228	SEAL\KIT\2\1-1\4RD\CTD	Seal Kit for 4100229		EA.
7A	4100326	CYL\HYD\2X18\1-1\4ROD-RAM INDUSTRIES		1	EA.
	4100093	CYL\HYD\SEAL;KIT\2 X 8	Seal Kit for 4100326		EA.
8	4800003	BOLT\HEX\3\8X1		29	EA.
9	4800120	PIN\COT\3\16X1-3\4		2	EA.
10	4800143	SCR\SET\ALN\3\8X3\8\NC		9	EA.
11	4800185	PIN\CLEVIS\1X3		2	EA.
12	4900002	NUT\HEX\3\8\NC		28	EA.
13	5000001	WASH\FLAT\3\8		28	EA.
14	5000019	WASH\LOCK\3\8		36	EA.
15	6200021	KEY\SQ\3\8X1-1\2\HARDEND		1	EA.
16	8101779	MNT\CYL\SHRDR\SLGBR		1	EA
17	8101780	MNT\CYL\HYD\SLGBR\2650		1	EA
CA	8101781	CNTRL\SLGBR\HYD\KIT\2650			EA

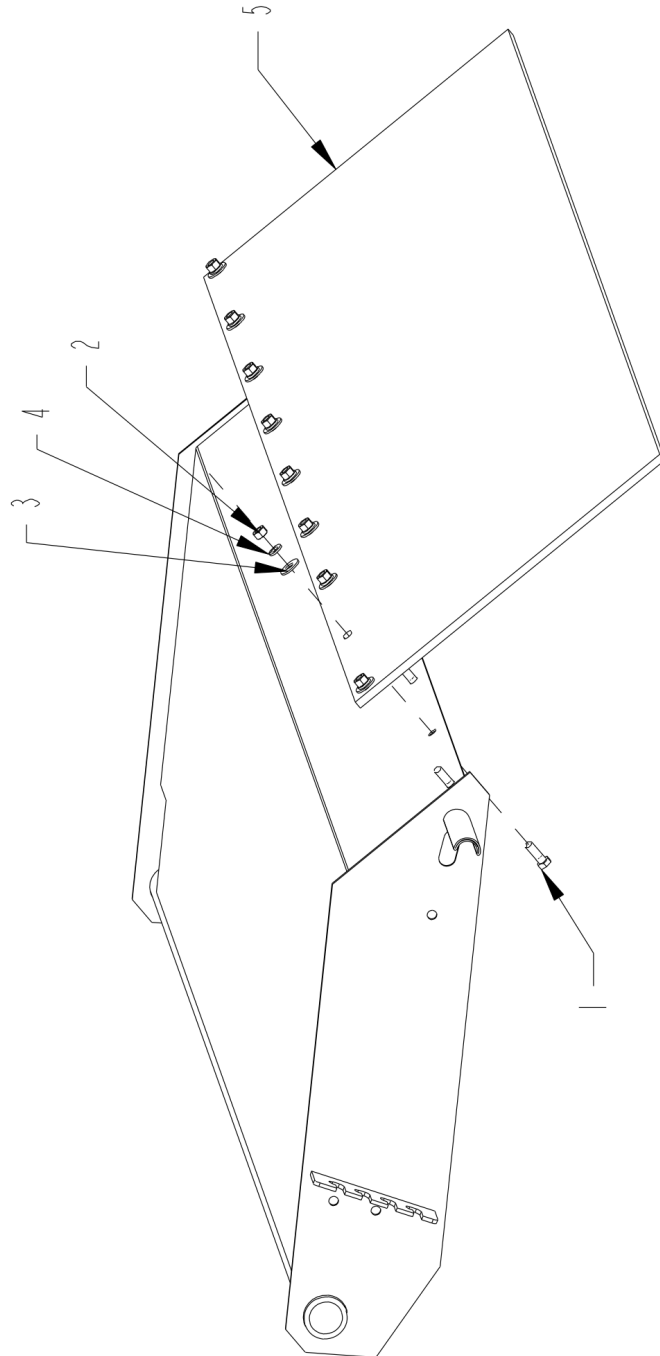


2660/2665 Optional Containment Extensions

Item	Part No.	Name	Remarks	Qty	Uom
1	4800003	BOLT\HEX\3/8X1		12	EA.
2	4900002	NUT\HEX\3/8\NC		12	EA.
3	5000001	WASH\FLAT\3/8		9	EA.
4	5000019	WASH\LOCK\3/8		12	EA.
5	8101886	EXT\SIDE\SHREDDER		1	EA.
6	8101887	SHLD\FR\SHREDDER		1	EA.
CA	8101889	KIT\CNTNMNT\SHRDR\2660\2665			EA.

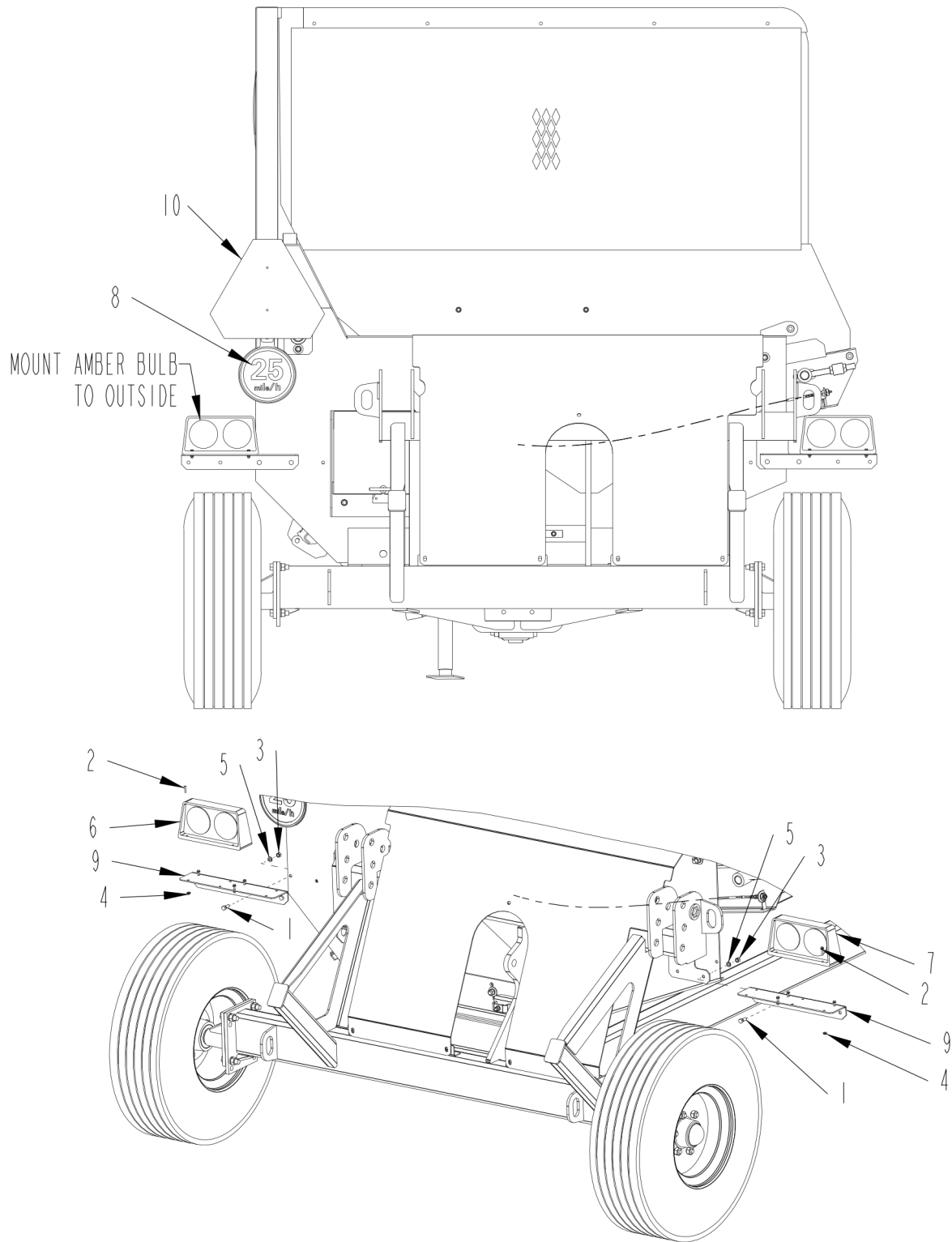
Optional Wide Deflector Belt

2660/2665 Balebuster Parts Reference



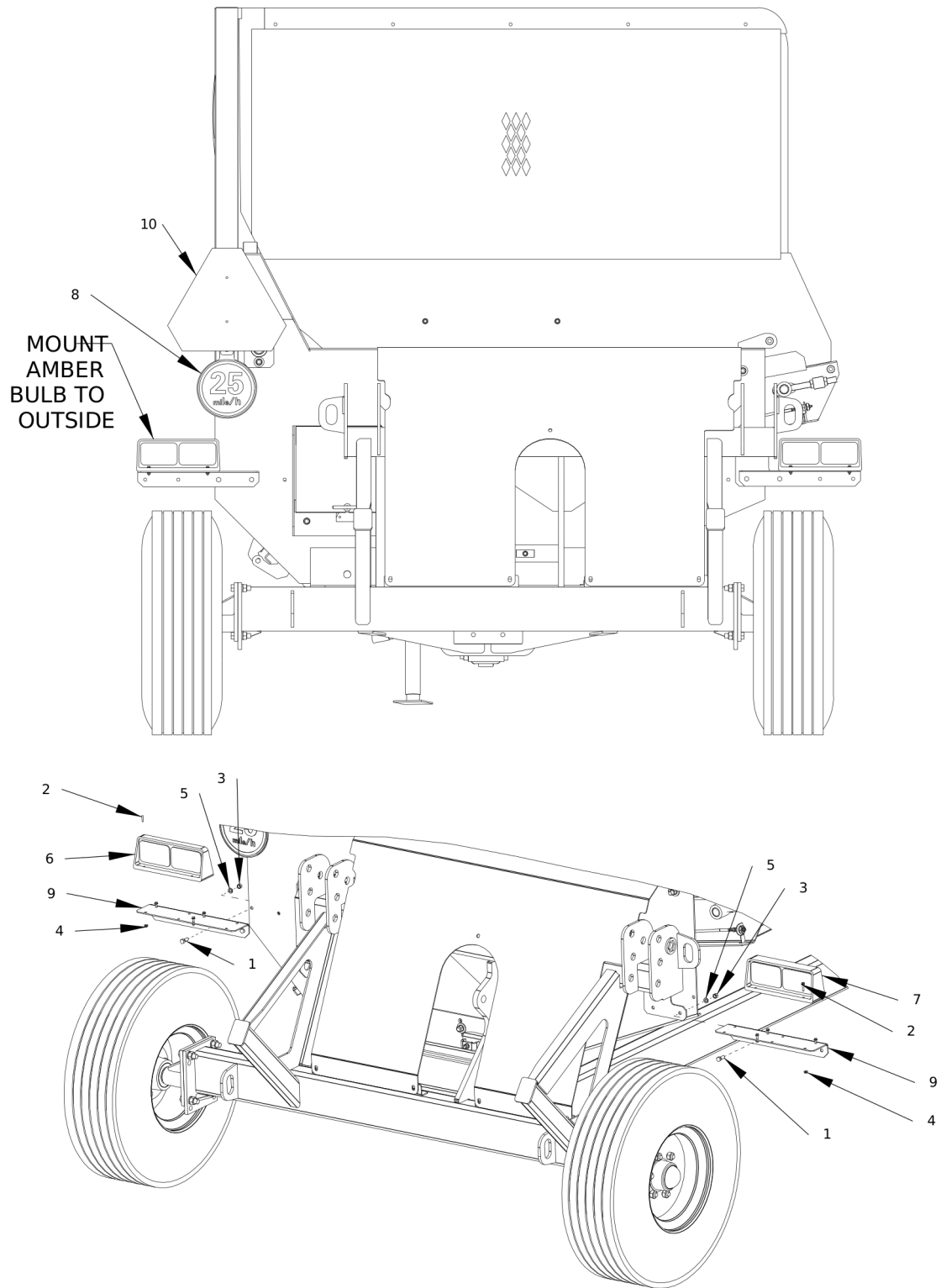
Optional Wide Deflector Belt

Item	Part No.	Name	Remarks	Qty	Uom
1	4800003	BOLT\HEX\3/8X1		9	EA.
2	4900002	NUT\HEX\3/8\NC		9	EA.
3	5000001	WASH\FLAT\3/8		9	EA.
4	5000019	WASH\LOCK\3/8		9	EA.
5	8100819	BELT\DEFL\18X73-3/4		1	EA.



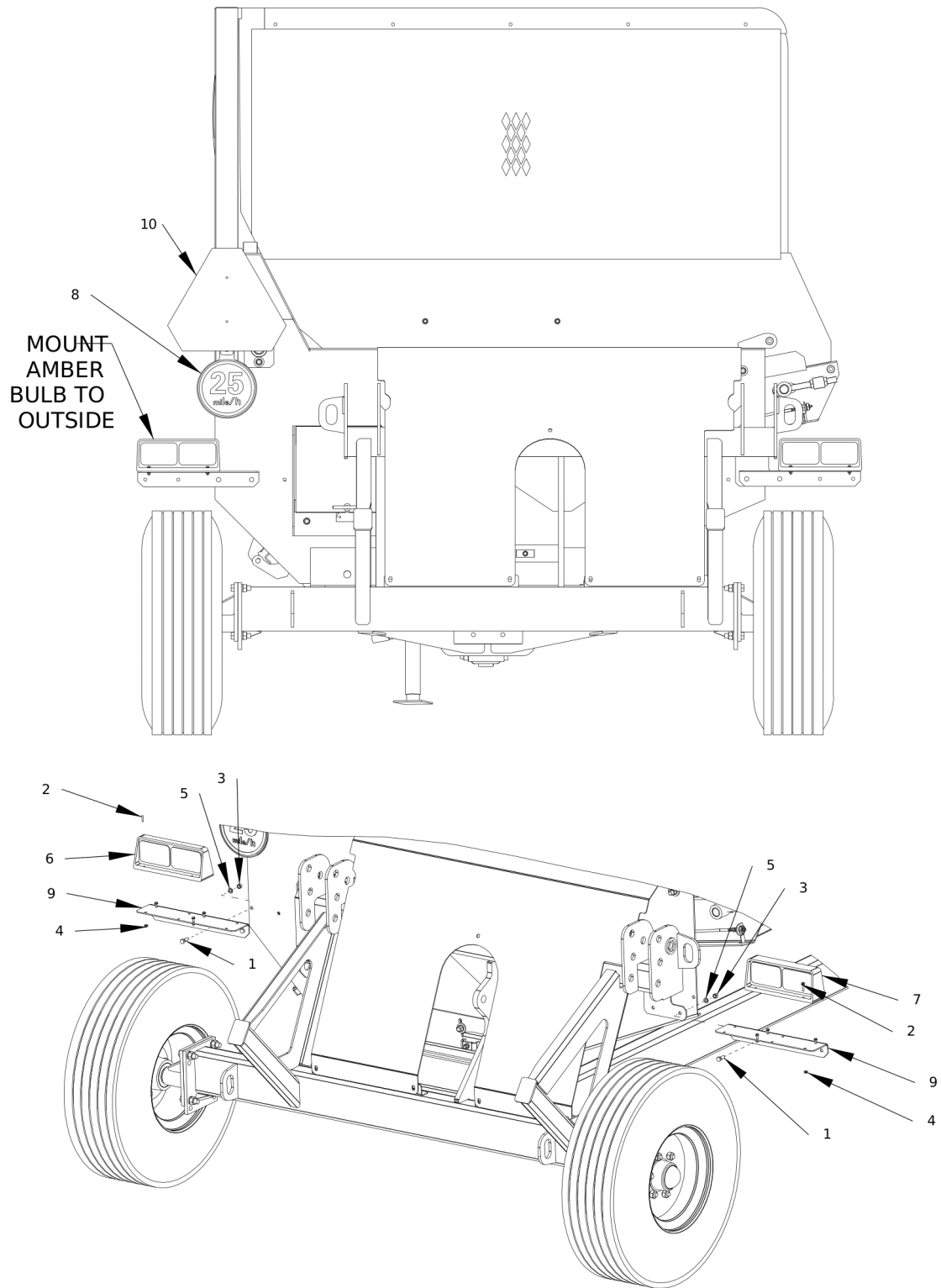
2660 Taillight Std. Mounting to SN 2120/2665 Taillight Std. Mounting to SN 0722

Item	Part No.	Name	Remarks	Qty	Uom
1	4800003	BOLT\HEX\3/8X1		4	EA.
2	4801321	BOLT\FLG\SERR\#10X1\NC		8	EA.
3	4900002	NUT\HEX\3/8\NC		4	EA.
4	4900190	NUT\FLG\SERR\#10\NC		8	EA.
5	5000019	WASH\LOCK\3/8		4	EA.
6	5701058	TAILLIGHT\RED;R\LED\ASSY\4PIN		1	EA.
7	5701059	TAILLIGHT\RED;L\LED\ASSY\4PIN	N/A (Order 5701285 and 5701283)	1	EA.
8	7501701	DECAL\ASSY\ID\SPD\25MPH/40KM/H		1	EA.
9	8101372	BRKT\TAILIGHT\2650		2	EA.
10	7501353	SIGN\SMV\PLSTC-BCKNG		1	EA.
NS	5700924	HARN\TAIL;LIGHTS\SHREDDR\4PIN			EA.
NS	7500713	CLAMP\CUSH\HD\1/2			EA.
	5701079	KIT\LIGHT\LED\2-LIGHT\4-PIN	(Includes 5701283, 5701284 and 5701285)		EA.



2660 Std. Taillight Mounting for SN 2121 to 2395/2665 Std. Taillight Mounting for SN 0723 to 0825

Item	Part No.	Name	Remarks	Qty	Uom
1	4800003	BOLT\HEX\3/8X1		4	EA.
2	4801321	BOLT\FLG\SERR\#10X1\NC		8	EA.
3	4900002	NUT\HEX\3/8\NC		4	EA.
4	4900190	NUT\FLG\SERR\#10\NC		8	EA.
5	5000019	WASH\LOCK\3/8		4	EA.
6	5701284	LGHT\TAIL\AMBER-LEFT\4PN-WP\LED		1	EA.
7	5701285	LGHT\TAIL\AMBER-RGHT\4PN-WP\LED		1	EA.
8	7501701	DECAL\ASSY\ID\SPD\25MPH/40KM/H		1	EA.
9	8101372	BRKT\TAILLIGHT\2650		2	EA.
10	7501353	SIGN\SMV\PLSTC-BCKNG		1	EA.
CA	5701289	KIT\LIGHT\LED\2-LIGHT\4-PIN:WP;FLAT	(INCLUDES 5701283, 5701284 & 5701585)		EA.
CA	8100905	TAILIGHT\KIT\2620&40\FENDERS\DEALER_INS TALLW/O			EA.
NS	5700924	HARN\TAIL;LIGHTS\SHREDDR\4PIN			EA.
NS	7500713	CLAMP\CUSH\HD\1/2			EA.

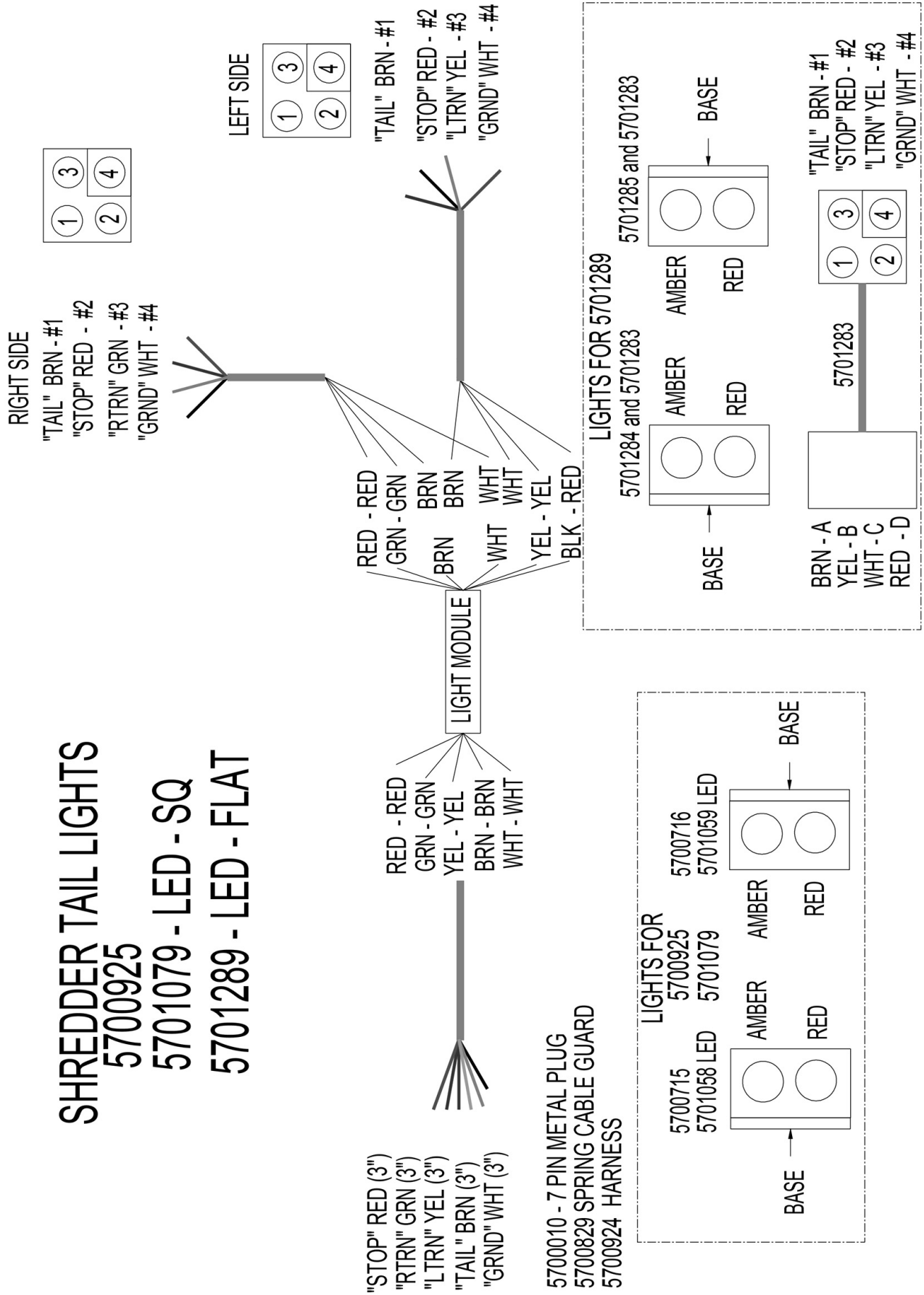


2660 Std. Taillight Mounting for SN 2396 and Up/2665 Std. Taillight Mounting for 0825 and Up

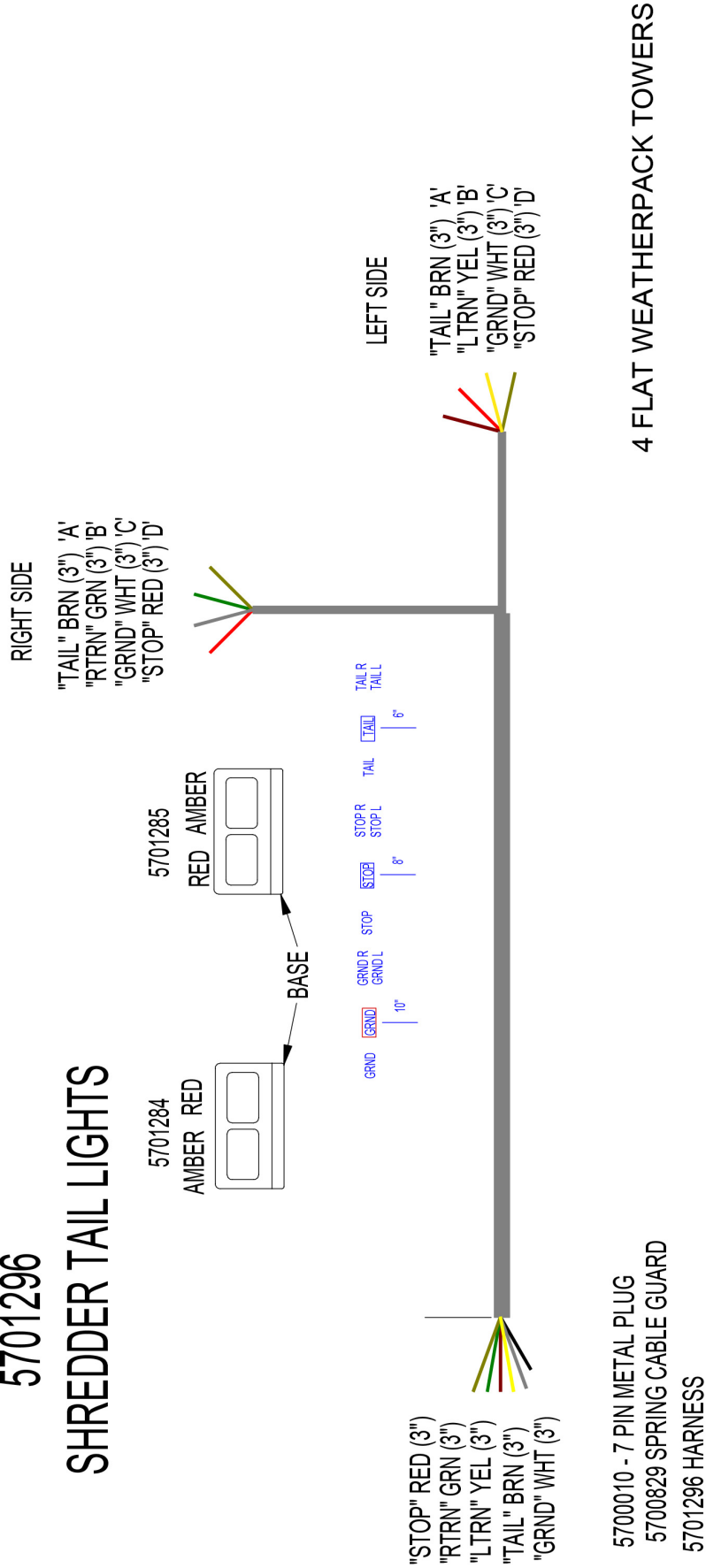
Item	Part No.	Name	Remarks	Qty	Uom
1	4800003	BOLT\HEX\3/8X1		4	EA.
2	4801321	BOLT\FLG\SERR\#10X1\NC		8	EA.
3	4900002	NUT\HEX\3/8\NC		4	EA.
4	4900190	NUT\FLG\SERR\#10\NC		8	EA.
5	5000019	WASH\LOCK\3/8		4	EA.
6	5701284	LGHT\TAIL\AMBER-LEFT\4PN-WP\LED		1	EA.
7	5701285	LGHT\TAIL\AMBER-RGHT\4PN-WP\LED		1	EA.
8	7501701	DECAL\ASSY\ID\SPD\25MPH/40KM/H		1	EA.
9	8101372	BRKT\TAILLIGHT\2650		2	EA.
10	7501353	SIGN\SMV\PLSTC-BCKNG		1	EA.
CA	5701301	KIT\LIGHT\2-4PIN.LED\60-74-1000	(INCLUDES 5701284, 5701585, 5701296)		EA.
CA	8100905	TAILIGHT\KIT\2620&40\FENDERS\DEALER_INS TALLW/O			EA.
NS	7500713	CLAMP\CUSH\HD\1/2			EA.
NS	5701296	HARN\TAIL;LIGHTS\SHREDDER\4FLAT			EA.

SHREDDER TAIL LIGHTS

5700925
5701079 - LED - SQ
5701289 - LED - FLAT

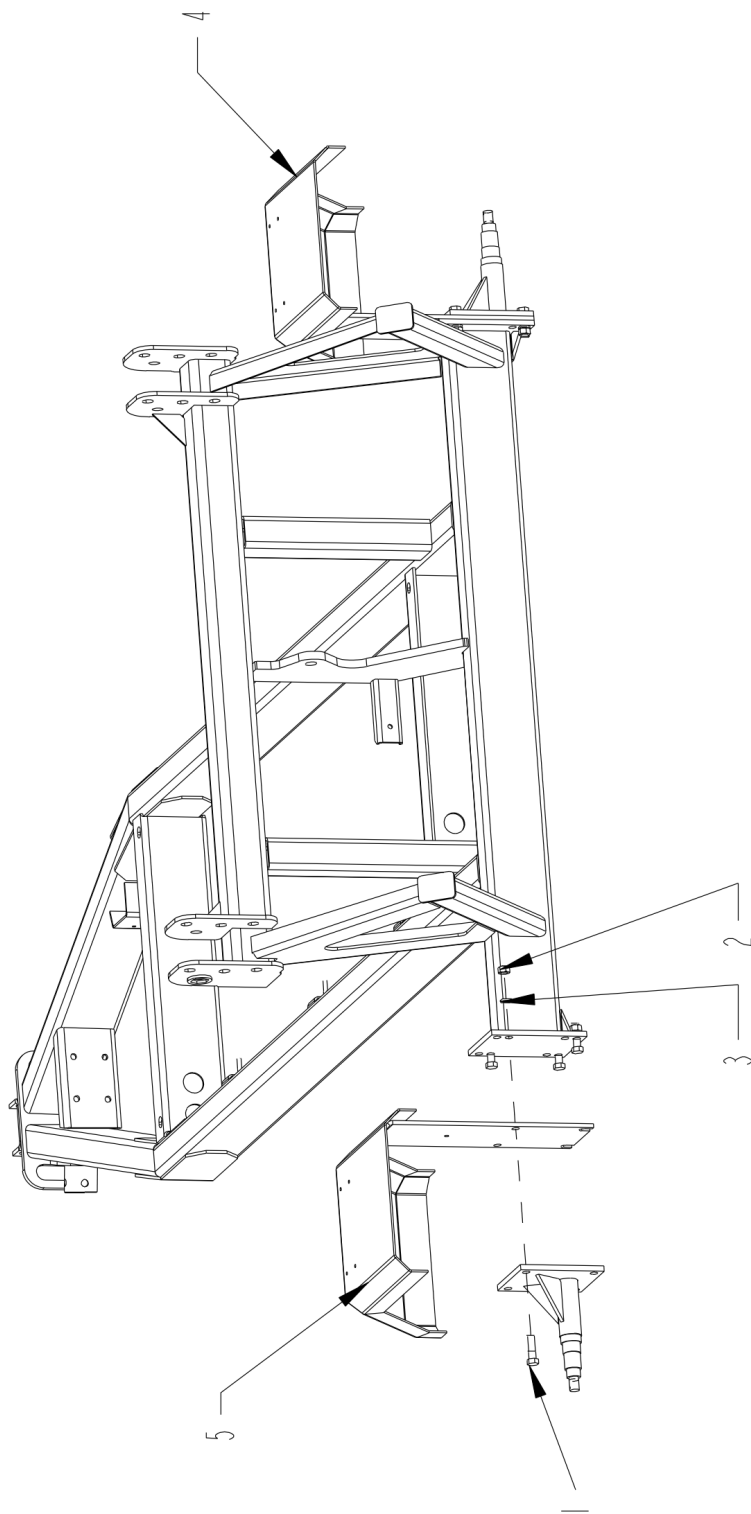


5701296 SHREDDER TAIL LIGHTS



Optional Fenders

2660/2665 Balebuster Parts Reference



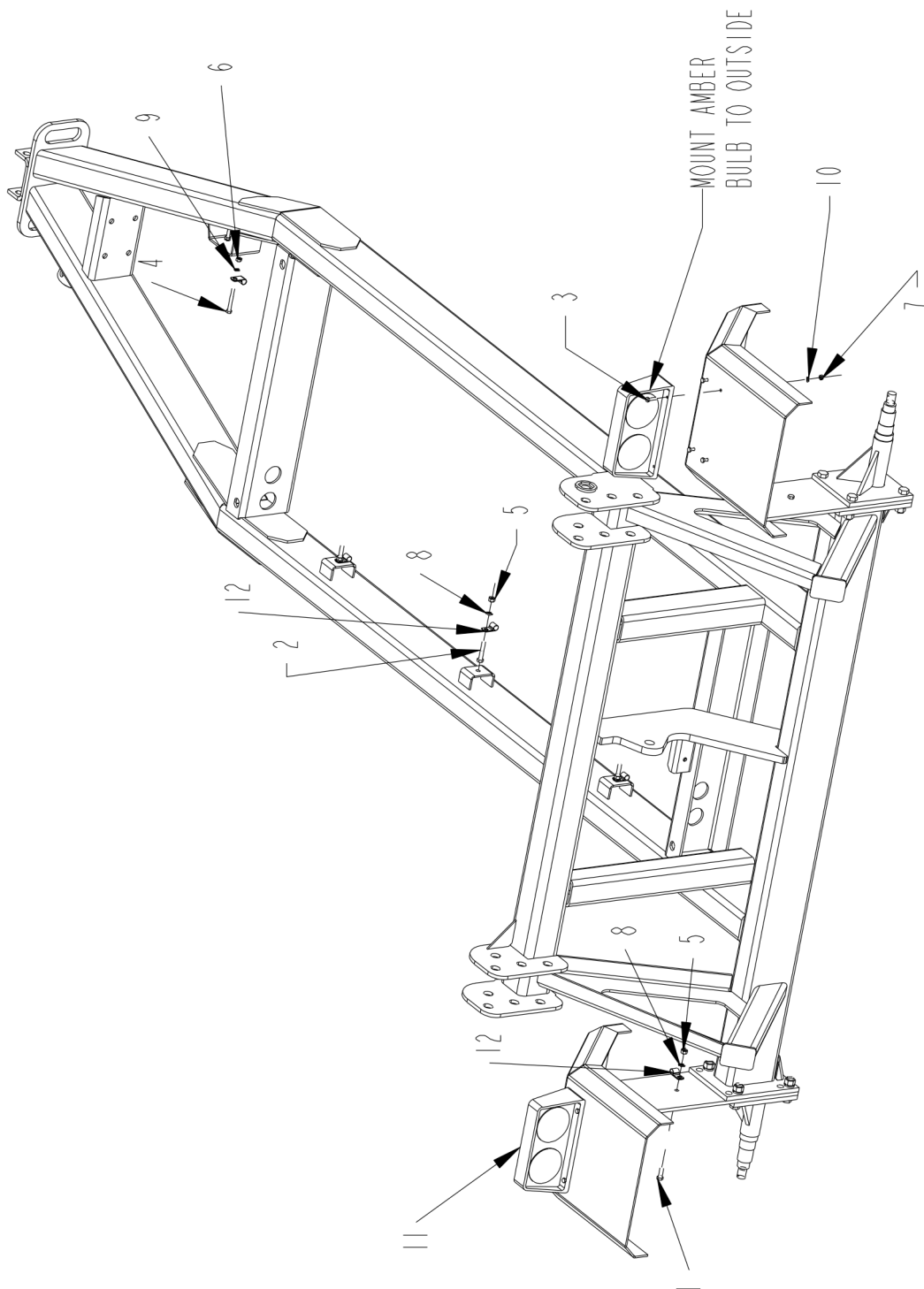
Note: Use with 2600832 Highway Tires Only

Optional Fenders

Item	Part No.	Name	Remarks	Qty	Uom
1	4800350	BOLT\HEX\5/8X2-1/4		8	EA.
2	4900005	NUT\HEX\5/8\NC		8	EA.
3	5000003	WASH\LOCK\5/8		8	EA.
4	8100827	FNDR\2620\2640\2650\RH		1	EA.
5	8100828	FNDR\2620\2640\2650\LH		1	EA.

2660/2665 Optional Fender Mounted Round Taillights

2660/2665 Balebuster Parts Reference

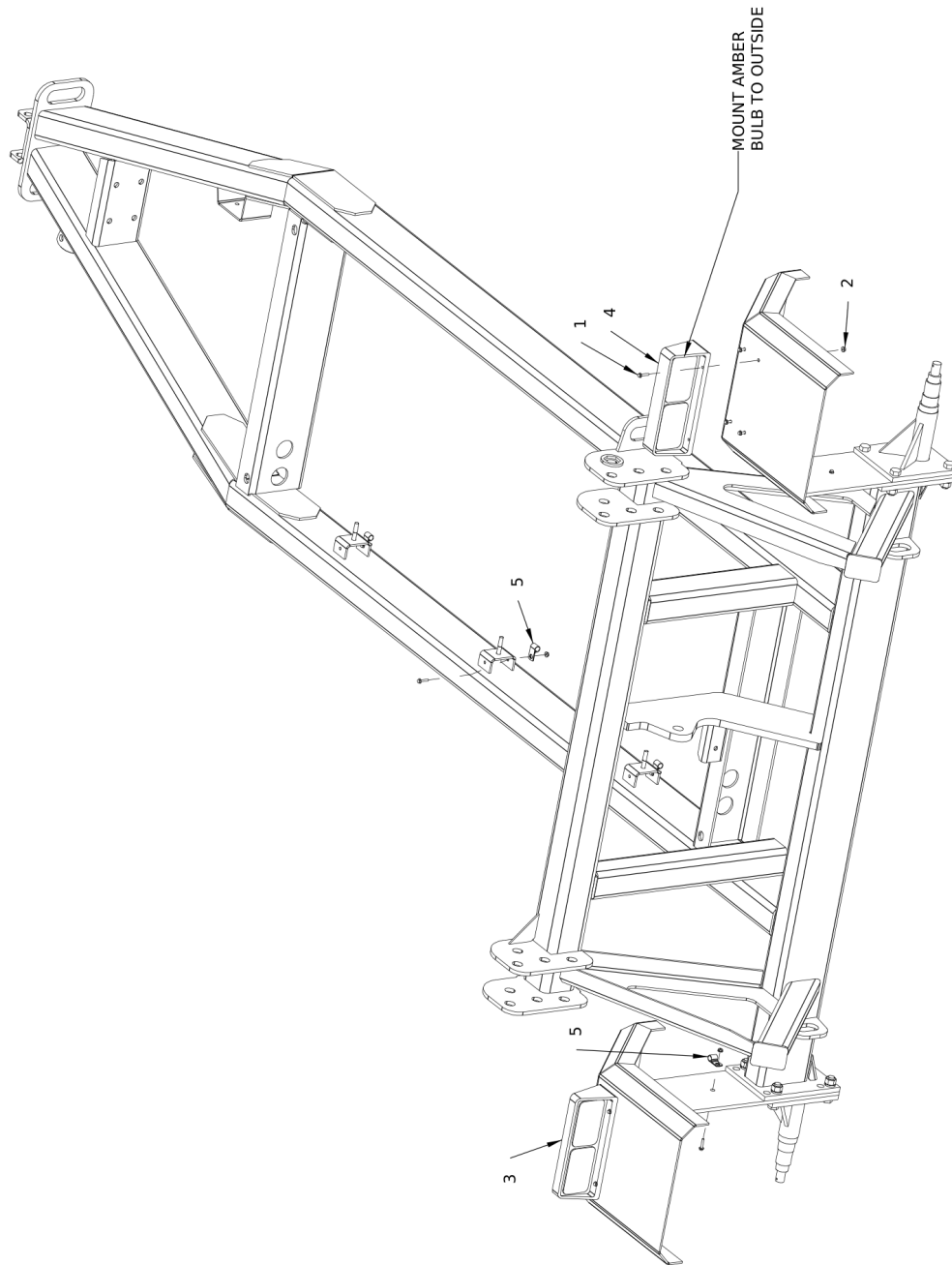


2660/2665 Optional Fender Mounted Round Taillights

Item	Part No.	Name	Remarks	Qty	Uom
1	4800003	BOLT\HEX\3/8X1		2	EA.
2	4800146	BOLT\HEX\3/8X2		3	EA.
3	4800277	BOLT\HEX\1/4X1		8	EA.
3A	4801321	BOLT\FLG\SERR\#10X1\NC		8	EA.
4	4800570	BOLT\HEX\5/16X2-1/2		2	EA.
5	4900002	NUT\HEX\3/8\NC		5	EA.
6	4900003	NUT\HEX\5/16\NC		2	EA.
7	4900009	NUT\HEX\1/4\NC		8	EA.
7A	4900190	NUT\FLG\SERR\#10\NC		8	EA.
8	5000019	WASH\LOCK\3/8		5	EA.
9	5000022	WASH\LOCK\5/16		2	EA.
10	5000024	WASH\LOCK\1/4		8	EA.
11	5701079	KIT\LIGHT\LED\2-LIGHT\4-PIN	(Includes 5701058, 5701059 and 5700924)	1	EA.
12	7500713	CLAMP\CUSH\HD\1/2		6	EA.

2660/2665 Optional Fender Mounted Rectangular Taillights

2660/2665 Balebuster Parts Reference

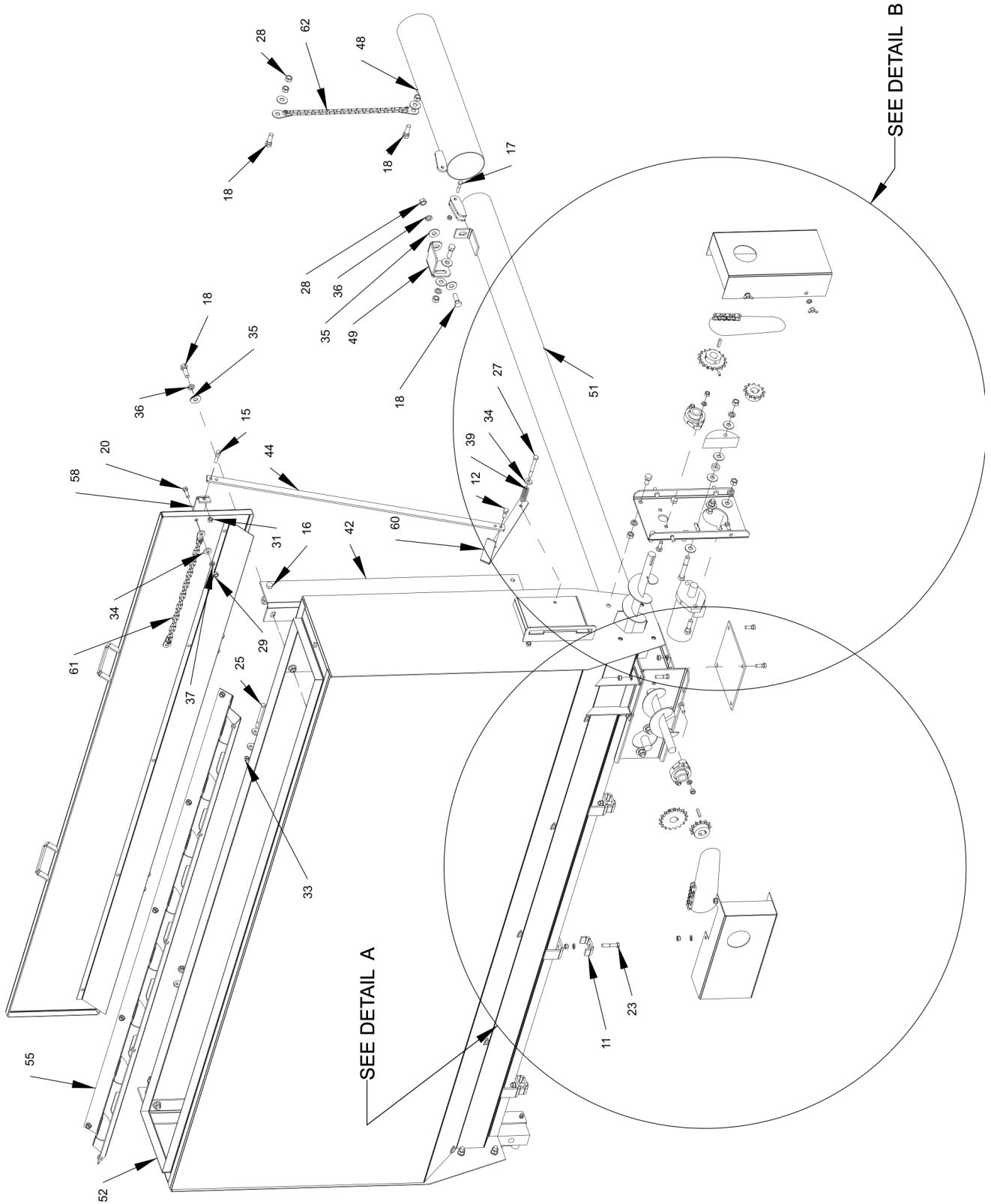


2660/2665 Optional Fender Mounted Rectangular Taillights

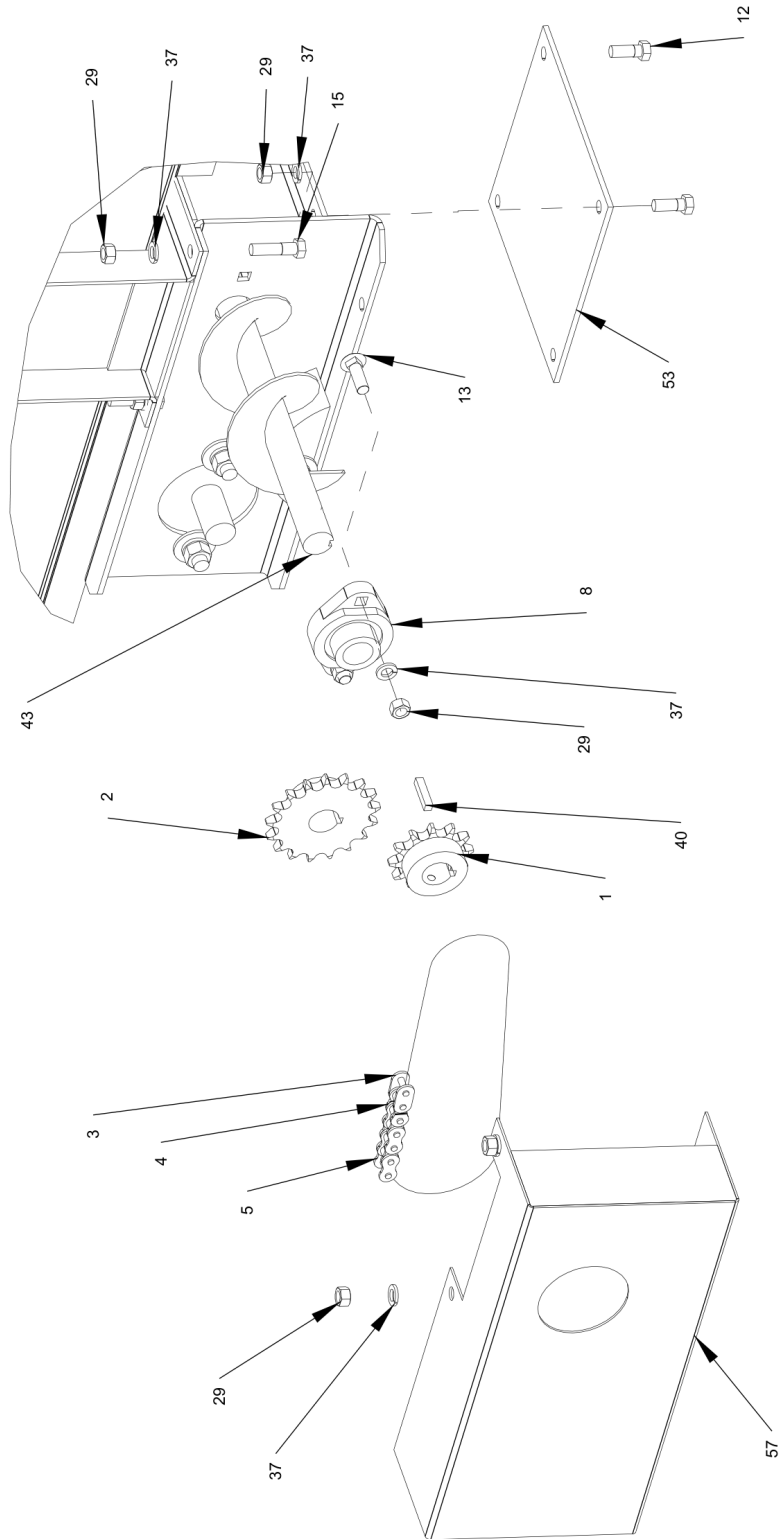
Item	Part No.	Name	Remarks	Qty	Uom
1	4801321	BOLT\FLG\SERR\#10X1\NC		13	EA.
2	4900190	NUT\FLG\SERR\#10\NC		13	EA.
3	5701284	LGHT\TAIL\AMBER-LEFT\4PN-WP\LED		1	EA.
4	5701285	LGHT\TAIL\AMBER-RGHT\4PN-WP\LED		1	EA.
5	7500713	CLAMP\CUSH\HD\1/2		5	EA.
NS	5701283	HARNJUMPER\4SQX4FLAT-WP		2	EA.
CA	5701289	KIT\LIGHT\LED\2-LIGHT\4-PIN:WP;FLAT	(Includes 5701283, 5701284, 5701285)		EA.
CA	5701301	KIT\LIGHT\2-4PIN.LED\60-74-1000	(Includes 5701284, 5701285, 5701296)		EA.

Optional Grain Tank Assembly

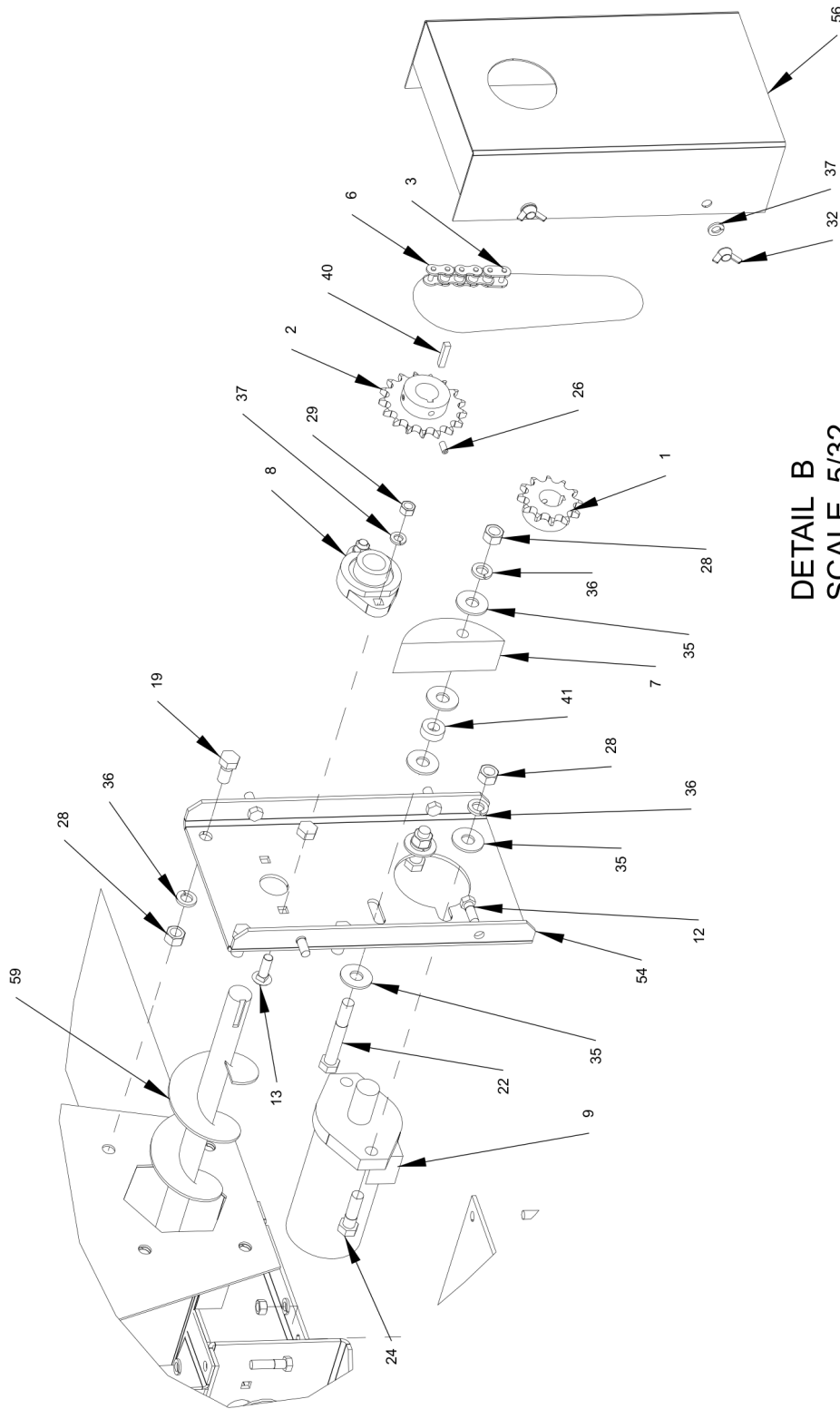
2660/2665 Balebuster Parts Reference



Optional Grain Tank Assembly

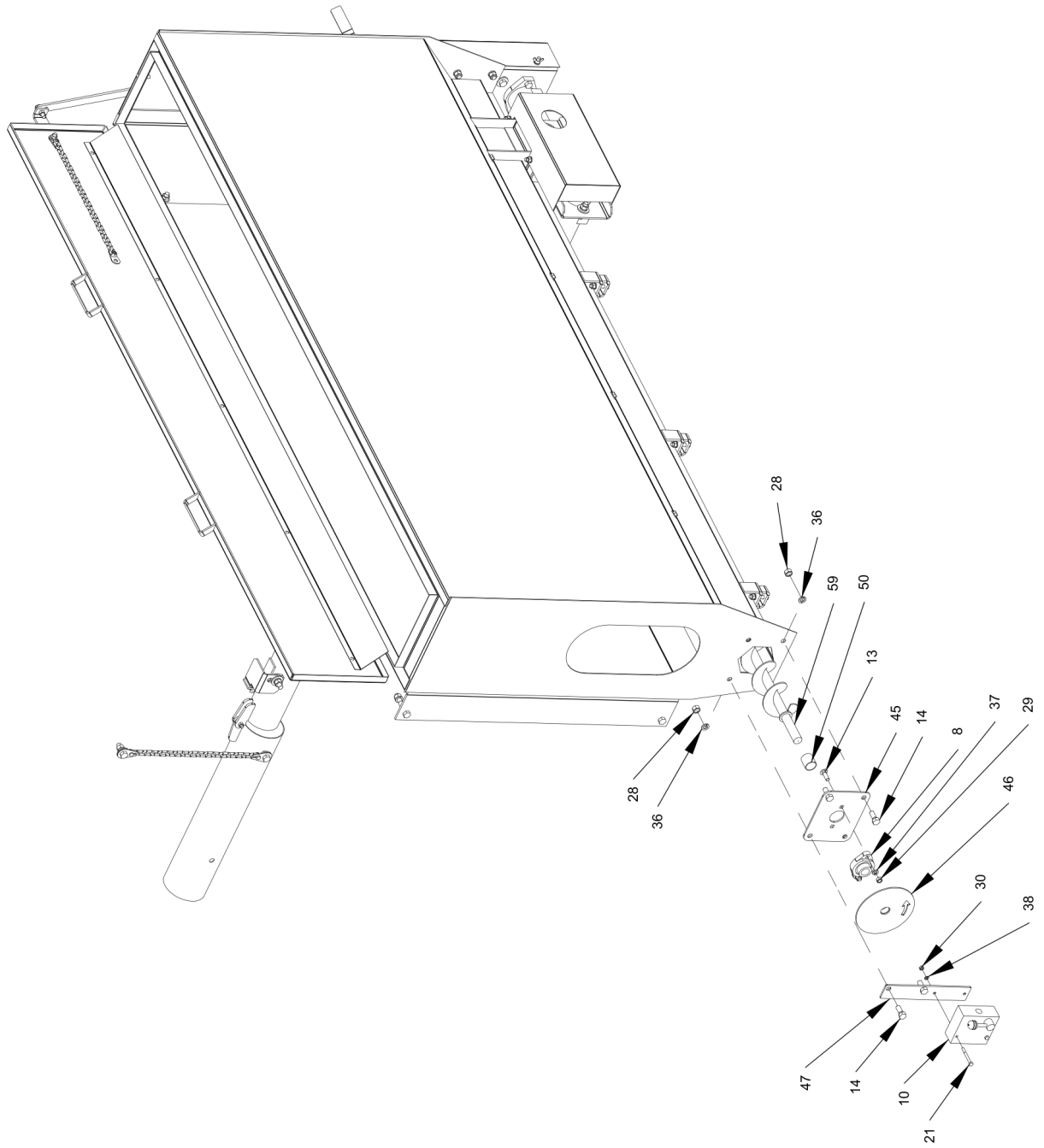


DETAIL A
SCALE 3/16



DETAIL B
SCALE 5/32

Optional Grain Tank Assembly



This page intentionally left blank

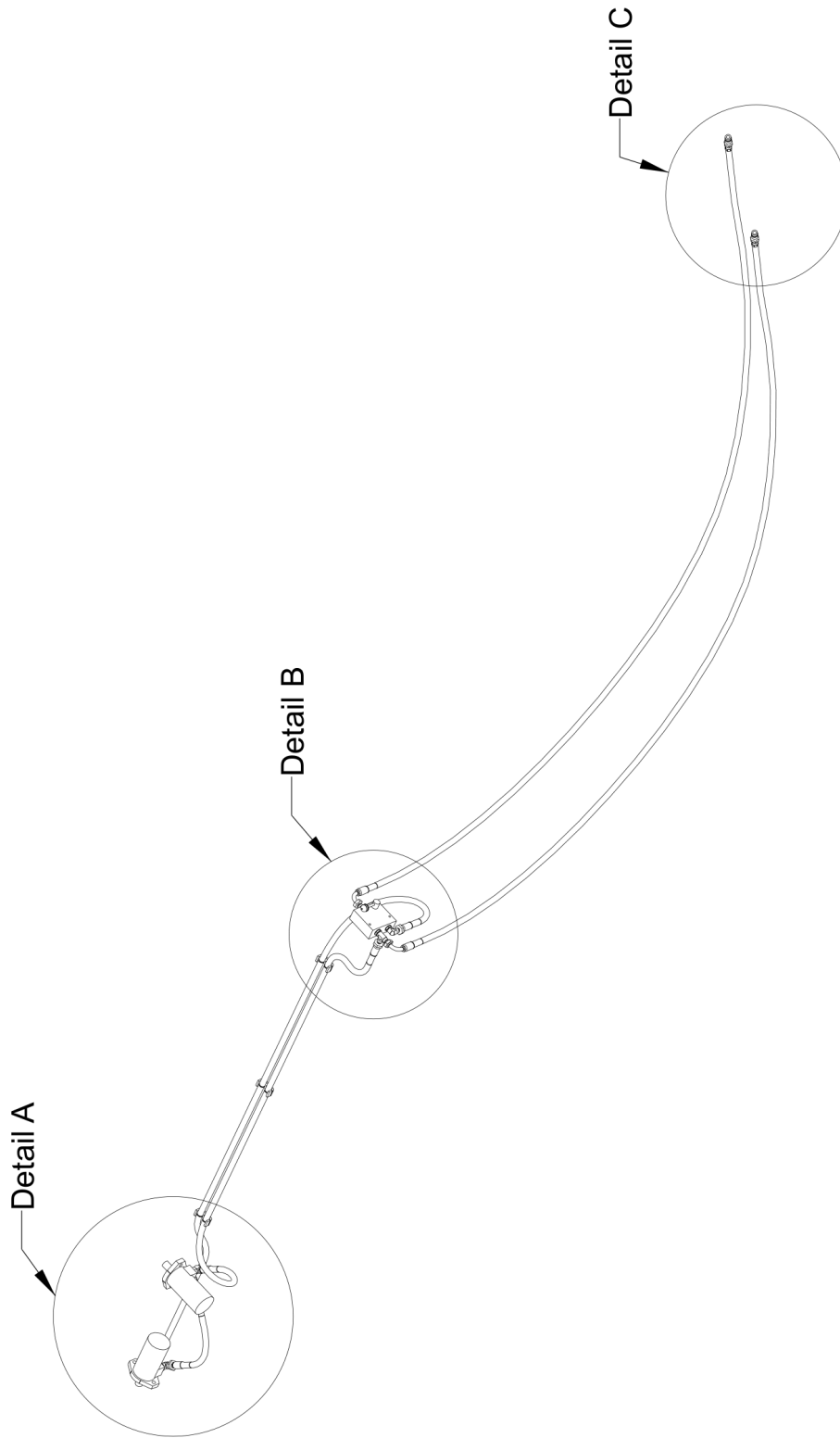
Optional Grain Tank Assembly

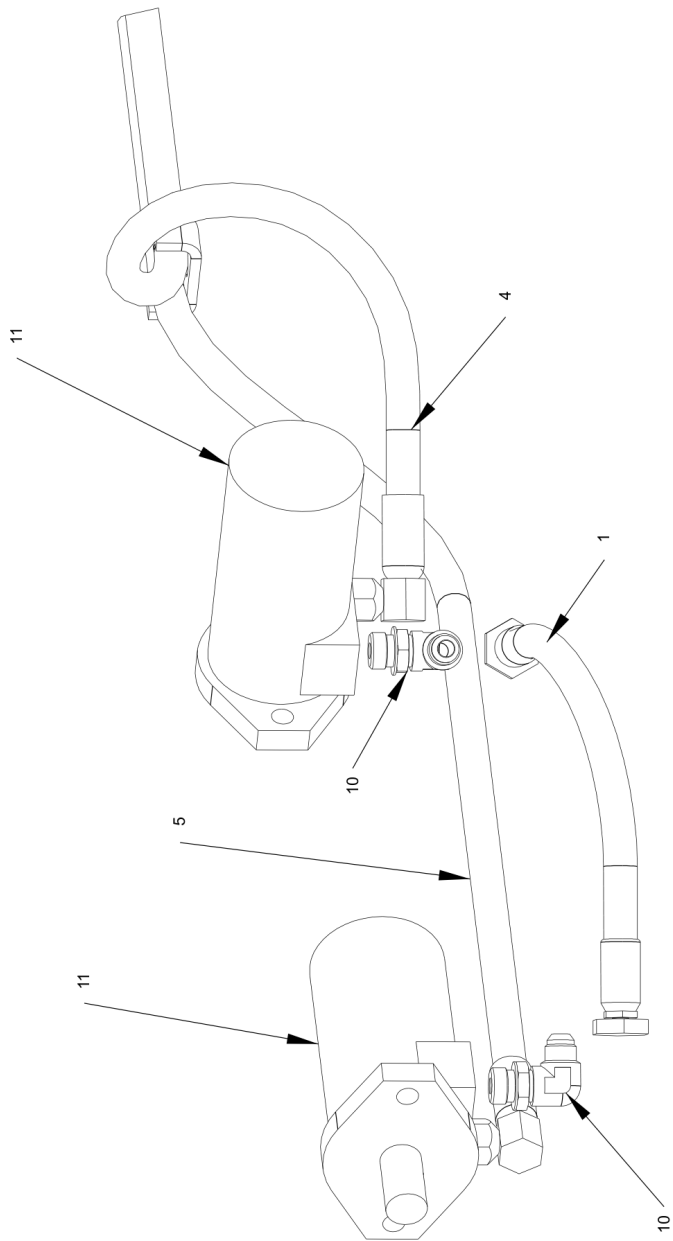
Item	Part No.	Name	Remarks	Qty	Uom
1	1000055	SPKT\50\B\12\1\1\4KW		2	EA.
2	1000060	SPRKT\50\B\17\1\1\4KW\SOFT		2	EA.
3	1100059	CHAIN\50\CL		2	EA.
4	1100060	CHAIN\50\OL		1	EA.
5	1100276	CHAIN\50\41		1	EA.
6	1100277	CHAIN\50\37		1	EA.
7	7501667	BLK\PLSTC\IDLER	IN PLACE OF 2000016	2	EA.
8	2000310	BRG\FLG\CAST\1\2BOLT		3	EA.
9	3900033	MTR\HYD\101-1038\14.1C\7\8FOR		2	EA.
10	4000213	VALVE\CONTROL\FLOW\3\4MOR		1	EA.
11	4700777	CLMP\HOSE\1\2		3	EA.
12	4800003	BOLT\HEX\3\8X1		21	EA.
13	4800012	BOLT\CRG\3\8X1-1\4\NC		6	EA.
14	4800018	BOLT\HEX\1\2X1-1\4		4	EA.
15	4800034	BOLT\HEX\3\8X1-1\2		3	EA.
16	4800068	BOLT\HEX\1\2X3		4	EA.
17	4800081	BOLT\HEX\5\16X1-1\2		1	EA.
18	4800082	BOLT\HEX\1\2X1-1\2		8	EA.
19	4800085	BOLT\HEX\1\2X1		4	EA.
20	4800098	BOLT\HEX\3\8X1-1\4\NC		2	EA.
21	4800101	BOLT\HEX\1\4X2-1\2		2	EA.
22	4800135	BOLT\HEX\1\2X3-1\2		2	EA.
23	4800146	BOLT\HEX\3\8X2		3	EA.
24	4800178	BOLT\HEX\1\2X1-3\4		4	EA.
25	4800198	BOLT\HEX\5\16X3-3\4		2	EA.
26	4800290	SCR\SET\ALN\1\4X1\2\NC		8	EA.
27	4800515	BOLT\HEX\3\8X3-1\4\NC		1	EA.
28	4900001	NUT\HEX\1\2\NC		24	EA.
29	4900002	NUT\HEX\3\8\NC		21	EA.
30	4900009	NUT\HEX\1\4\NC		2	EA.
31	4900023	NUT\TPLCK\3\8\NC		3	EA.
32	4900032	NUT\WING\3\8\NC		4	EA.
33	4900099	NUT\TPLCK\5\16\GR8\NC		3	EA.
34	5000001	WASH\FLAT\3\8		13	EA.
35	5000004	WASH\FLAT\1\2		22	EA.
36	5000006	WASH\LOCK\1\2		24	EA.
37	5000019	WASH\LOCK\3\8		25	EA.
38	5000024	WASH\LOCK\1\4		2	EA.

This page intentionally left blank

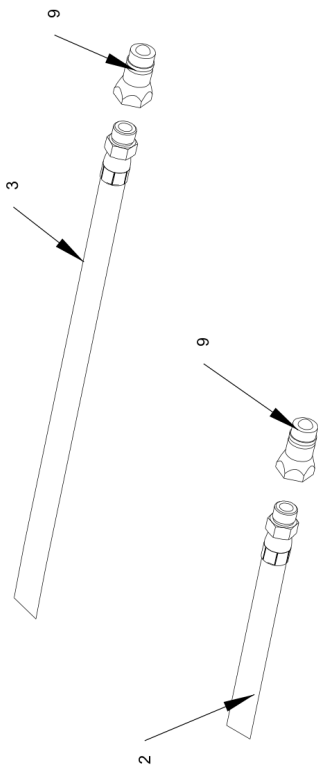
Optional Grain Tank Assembly

Item	Part No.	Name	Remarks	Qty	Uom
39	6100028	2-1/4 COMP SPR.125 X .725		1	EA.
40	6200014	KEY\SQ\1/4X1-1/4		2	EA.
41	8100804	MNT\BSHMTR\HYD		2	EA.
42	8100834	MNT\HPPR\GRAIN		2	EA.
43	8100842	AUG\REAR\ASSY		1	EA.
44	8100868	RD\CONNECTING\LID\HPPR		1	EA.
45	8100898	PLT\MNT\BRNG\AUG		1	EA.
46	8100899	BRKT\INDICATOR\AUG		1	EA.
47	8100906	PLT\MNT\VALVE\FLOW		1	EA.
48	8101166	TUBE\EXT\AUG\HPPR\GRAIN		1	EA.
49	8101170	BRKT\SUPPORT\AUGER\GRAIN TANK		1	EA.
50	8101194	HPPR\GRAIN\SPCR		1	EA.
51	8101517	ASSY\TRANS\AUGER		1	EA.
52	8101518	TANK\GRAIN\2650		1	EA.
53	8101520	PLT\AUG\CLEAN-OUT		1	EA.
54	8101521	PLT\AUG\HPPR		1	EA.
55	8101522	BFFL\GRNHPPR		1	EA.
56	8101523	SHLD\REAR\HPPR\GRAIN		1	EA.
57	8101524	SHLD\REAR\HPPR\GRAIN		1	EA.
58	8101704	HPPR\COVER\90-3/8"		1	EA.
59	8101719	ASSY\SHFT\AUG\HPPR		1	EA.
60	8101722	BRKT\HANDLE\LID\HPPR		1	EA.
61	8101906	ASSY\CHAIN\3/8" BOLT		1	EA.
62	8101910	ASSY\CHAIN\1/2"BOLT		1	EA.
CA	8101519	TANK\FEED\KIT\2650\FT-24			EA.
NS	6500020	DECAL\LOGO\HYBSTR\SNBRS\3		1	EA.
NS	6500532	DECAL\LOGO\STRPNG\BLK+RED-W-BARS		1	EA.
NS	6500412	DECAL\LOGO\FT-24		1	EA.

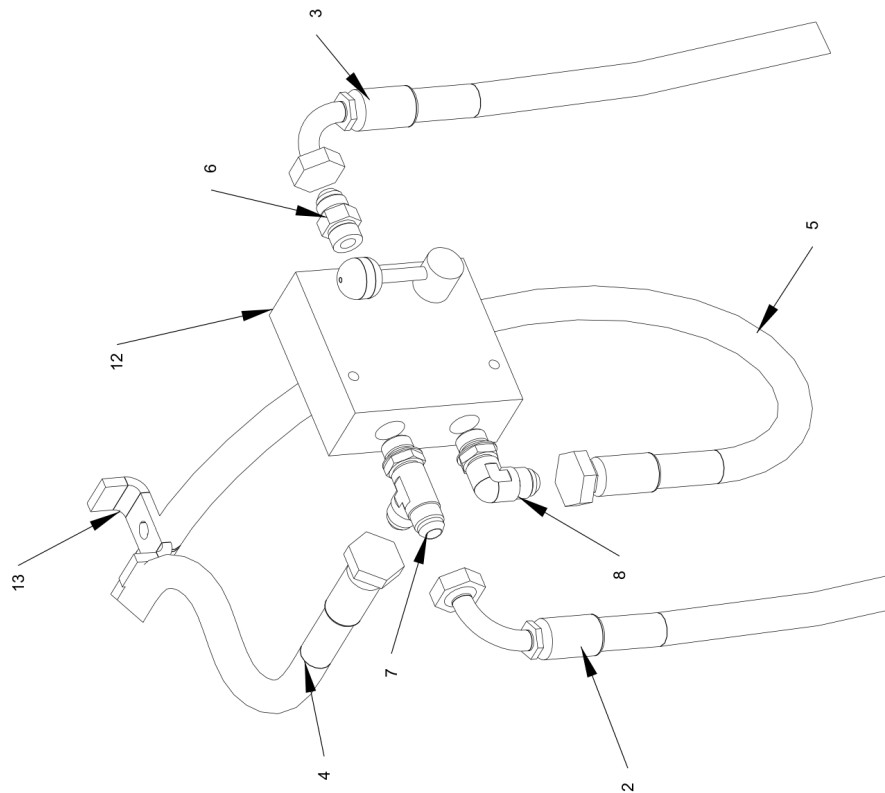




DETAIL A
SCALE 1/4



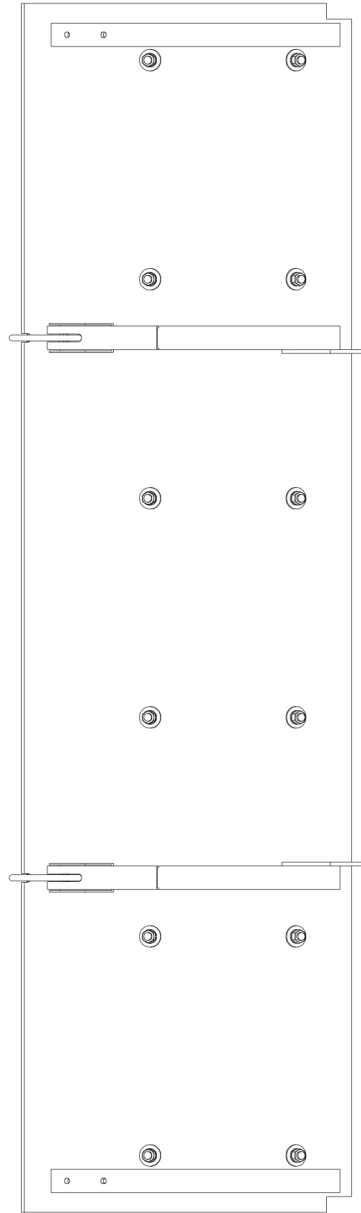
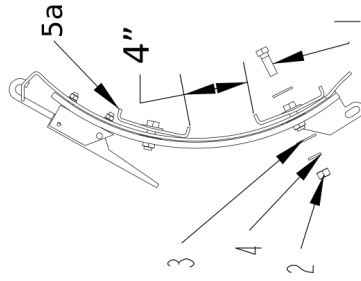
DETAIL C
SCALE 3/16



DETAIL B
SCALE 1/4

Optional Grain Tank Hydraulic Assembly

Item	Part No.	Name	Remarks	Qty	Uom
1	3700823	HOSE\HYD\1\2X17\3\4FJICX3\4FJIC		1	EA.
2	3700824	HOSE\HYD\1\2X140\3\4MORX3\4FJIC90		1	EA.
3	3700825	HOSE\HYD\1\2X148\3\4MORX3\4FJIC90		1	EA.
4	3700826	HOSE\HYD\1\2X82\7\8MOR90X3\4FJIC		1	EA.
5	3700827	HOSE\HYD\1\2X100\7\8MOR90X3\4FJIC		1	EA.
6	3800477	FTG\3\4MORX3\4MJIC\ADPT		1	EA.
7	3800483	FTG\3\4MORX3\4MJICX3\4MJIC\RUN;TEE		1	EA.
8	3800537	FTG\3\4MORX3\4MJIC\90		1	EA.
9	3800694	FTG\3\4FOR\QUICK;CPLR\FEMALE		2	EA.
10	3800696	FTG\7\8MORX3\4MJIC\90		2	EA.
11	3900033	MTR\HYD\101-1038\14.1CI\7\8FOR		2	EA.
	7501038	UNI SEAL KIT 007-009			EA.
12	4000213	VALVE\CONTROL\FLOW\3\4MOR		1	EA.
13	4700777	CLMP\HOSE\1\2		3	EA.



Installation for:

Optional stripper plates for the 2660:

1. Position bars as shown. (Part #8101511)
2. Clamp in place.
3. Drill (6) 9/16" holes per bar. Use the bar as a guide.
4. Attach as shown using listed hardware.

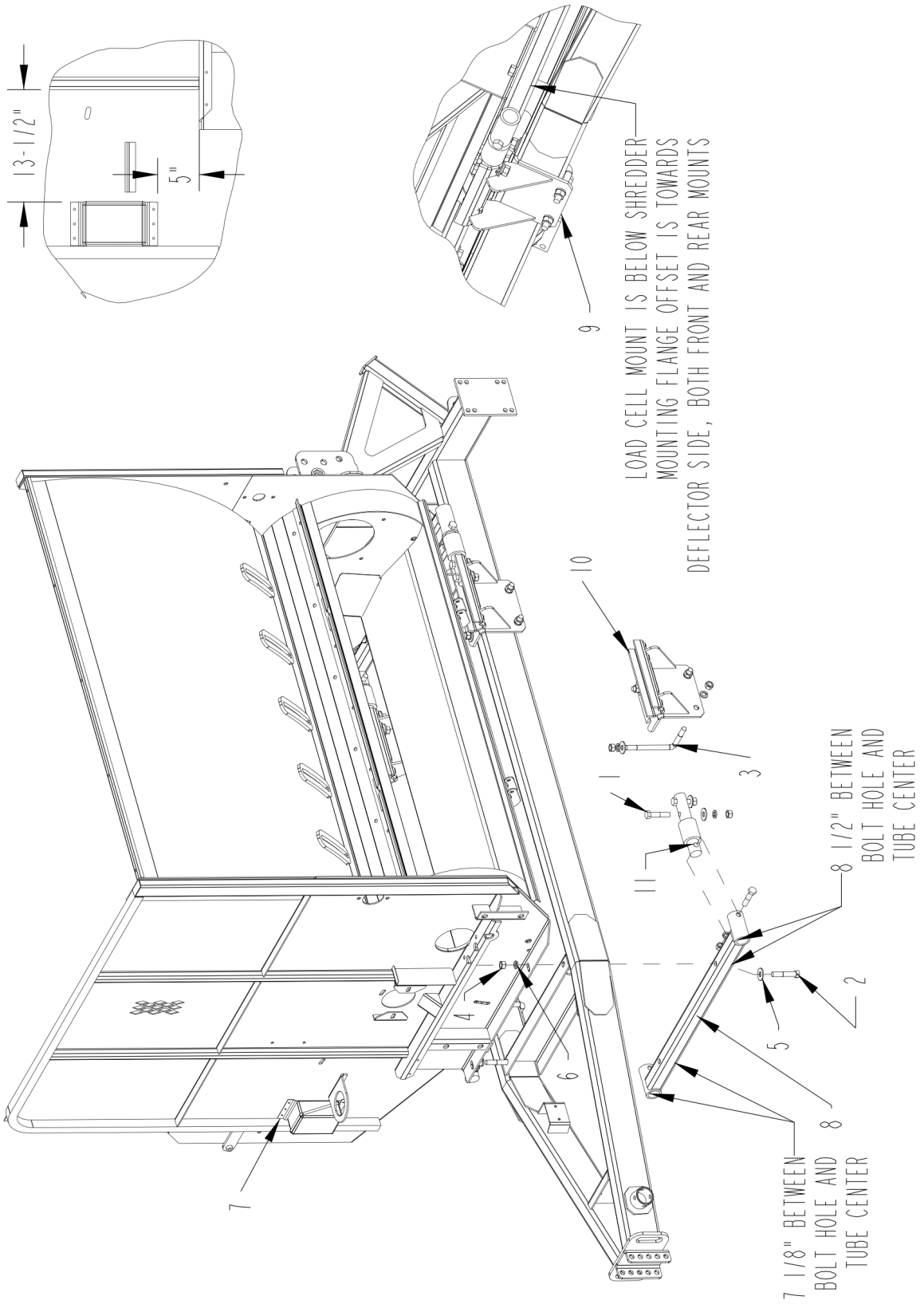
Stripper plates #8101511 are standard on the 2665.

2660 Optional Stripper Bar Installation/2665 Stripper Bar Installation Standard

Item	Part No.	Name	Remarks	Qty	Uom
1	4800018	BOLT\HEX\1/2X1-1/4		6	EA.
2	4900001	NUT\HEX\1/2\NC		6	EA.
3	5000004	WASH\FLAT\1/2		12	EA.
4	5000006	WASH\LOCK\1/2		6	EA.
5	8100793	CHNNL\STRIPPER\SHREADER	(See 2660 Shredder Assembly-Front)		EA.
5A	8101511	CHNNL\STRIPPER\OPTION	(To be bolted to door as needed)	1	EA.
CA	8100973	CHNNL\STRPPR\KIT			EA.

Optional Weigh Scale-Load Cell

2660/2665 Balebuster Parts Reference

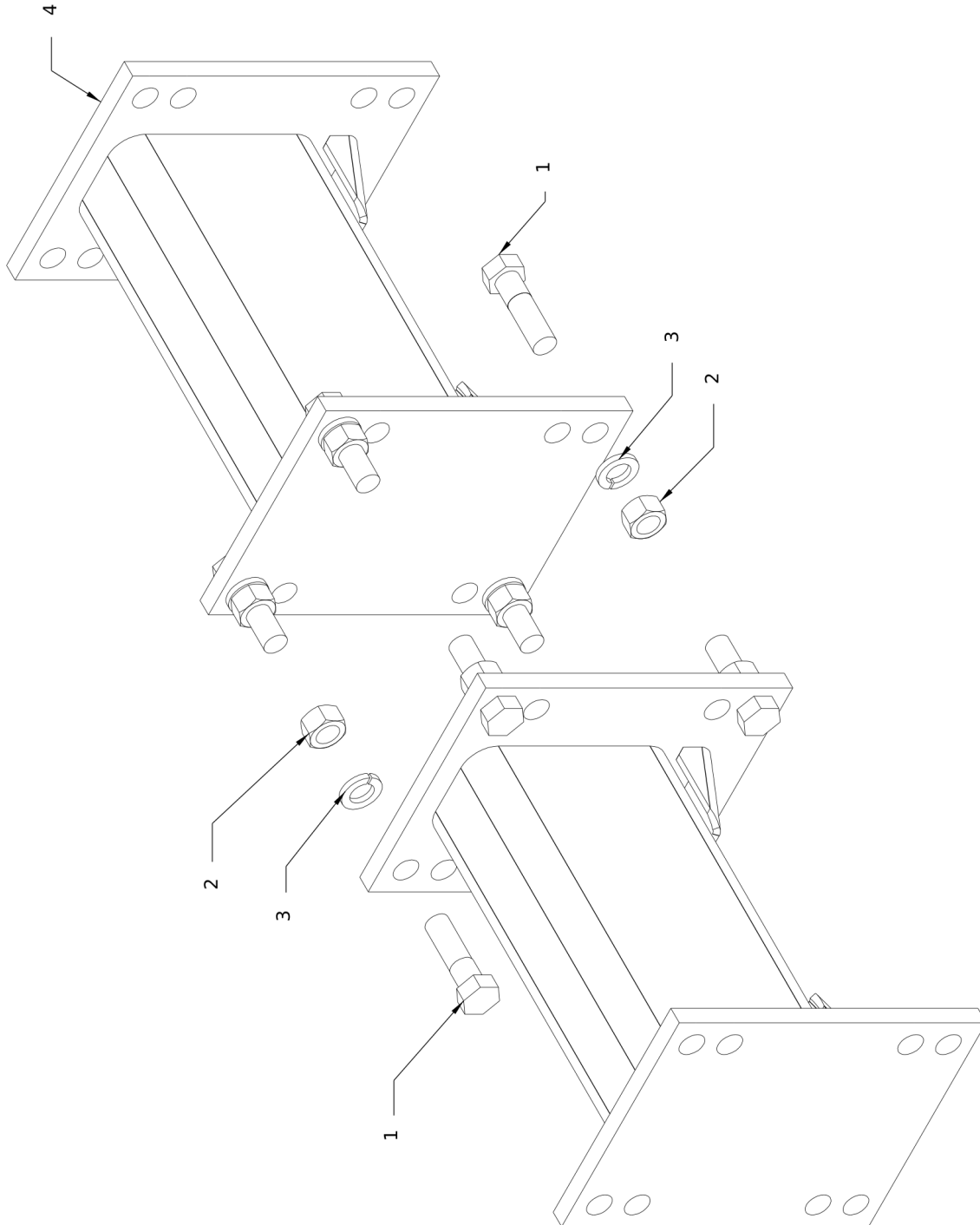


Optional Weigh Scale-Load Cell

Item	Part No.	Name	Remarks	Qty	Uom
1	4800011	BOLT\HEX\3/4X3-1/2		12	EA.
2	4800063	BOLT\HEX\3/4X4		4	EA.
3	4800200	BOLT\L\3/4X5-1/4X8-1/4		8	EA.
4	4900004	NUT\HEX\3/4\NC		32	EA.
5	5000005	WASH\FLAT\3/4		20	EA.
6	5000012	WASH\LOCK\3/4		32	EA.
7	7500978	2620 LOADCELL JUCTION BOX, 2000		1	EA.
8	8100883	MNT\LOADCELL\SHREADER		2	EA.
9	8101034	MNT\RIGHT\LOADCELL\2640		2	EA.
10	8101035	MNT\LEFT\LOADCELL\2640		2	EA.
11	7500939	LOAD\CELL\SCALE>		4	EA.
	7500841	SCALE\LOAD;CELL PACKAGE	(Includes 7500939, 7500978, 7500979, 7501211, 7501212, 7501424 and 7501534)	1	EA.
NS	7501555	KIT\CONN\LOAD;CELL	(4 pin connector repair kit for 7500979 & 7501212)		EA.
CA	8102113	SCALE\LOAD_CELL\KIT\2660-2665>			EA

Optional Axle Extensions

2660/2665 Balebuster Parts Reference



Optional Axle Extensions

Item	Part No.	Name	Remarks	Qty	Uom
1	4800350	BOLT\HEX\5/8X2-1/4		8	EA.
2	4900005	NUT\HEX\5/8\NC		8	EA.
3	5000003	WASH\LOCK\5/8		8	EA.
4	8101267	EXTENSION\AXLE\12"		2	EA.
CA	8101276	EXTENSION\AXLE\KIT			EA.

	DANGER FLYING HAY, ROCKS, AND OTHER OBJECTS THROWN BY MACHINE. STAY CLEAR OF DISCHARGE SIDE OF MACHINE UNLESS OPERATOR HAS STOPPED TRACTOR ENGINE AND MACHINE HAS STOPPED ROTATING. FAILURE TO FOLLOW THESE INSTRUCTIONS MAY RESULT IN SEVERE PERSONAL INJURY OR DEATH.
	PELIGRO LA PAJA, LAS PIEDRAS Y OTRAS COSAS TIRADAS POR LA MAQUINA. NO SE PARE JUNTO AL LADO DISPARADOR DE LA MAQUINA SI EL MOTOR ESTÁ EN MARCHA Y LAS PALETAS ESTÁN EN MOVIMIENTO. NO SEGUIR ESTAS INSTRUCCIONES PUEDE RESULTAR EN HERIDAS GRAVES E INCLUSO LA MUERTE.

1 - 6500034

	DANGER ROTATING FLAILS CAN KILL OR DISMEMBER KEEP CLEAR OF MACHINE UNTIL POWER TAKE-OFF HAS BEEN DISCONNECTED, TRACTOR ENGINE SHUT OFF AND FLAIL ROTATION STOPPED.		PELIGRO LAS PALETAS EN MOVIMIENTO PUEDEN DESMIEMBRAR E INCLUSO MATAR MANTÉNGASE SU DISTANCIA HASTA QUE SE DESCONECTE LA TOMA DE FUERZA, EL MOTOR PARE Y LAS PALETAS DEJEN DE MOVERSE.
--	---	--	--

2 - 6500035

	WARNING FOR YOUR PROTECTION KEEP ALL SHIELDS IN PLACE AND SECURED WHILE MACHINE IS OPERATING. MOVING PARTS WITHIN CAN CAUSE SEVERE PERSONAL INJURY.		ADVERTENCIA PARA ASEGURAR SU PROTECCIÓN, MANTENGA TODOS LOS PROTECTORES EN SU LUGAR Y ASEGURADOS MIENTRAS LA MAQUINA ESTE OPERANDO. LAS PIEZAS MOVILES INTERNAS PUEDEN CAUSAR LESIONES PERSONALES GRAVES.
--	---	--	---

3 - 6500040

	WARNING FOR YOUR PROTECTION AND PROTECTION OF OTHERS, PRACTICE THE FOLLOWING SAFETY RULES: 1. BEFORE OPERATING THIS MACHINE READ THE OPERATOR'S MANUAL SUPPLIED WITH THE MACHINE AND YOUR TRACTOR. 2. CHECK OPERATOR MANUAL TO BE SURE YOUR TRACTOR MEETS THE MINIMUM REQUIREMENTS FOR THIS MACHINE. 3. READ ALL SAFETY RULES ON THIS MACHINE FOR YOUR SAFETY AND CONVIENCE. 4. NEVER ALLOW RIDERS ON THIS IMPLEMENT OF THE TRACTOR. 5. KEEP RIDERS AWAY FROM THIS MACHINE WHILE IN OPERATION. 6. KEEP ALL RIDERS IN PLACE WHILE MACHINE IS OPERATING. 7. KEEP RIDERS FEEL LOOSE CLOTHING, ETC. AWAY FROM POWER DRIVEN PARTS. 8. ALWAYS STOP ALL MACHINE AND ENGINE BEFORE EXCHANGING UNLOADERS, INSPECTING, OR WORKING ON THE MACHINE FOR ANY REASON. ALWAYS PLACE TRANSMISSION IN PARK OR SET PARK BRAKE AND WAIT FOR ALL MOVEMENT TO STOP BEFORE APPROACHING THIS MACHINE.		ADVERTENCIA SIGA LAS REGLAS SIGUIENTES DE SEGURIDAD PARA SU PROTECCIÓN Y LA PROTECCIÓN DE OTROS: 1. LEA LOS MANUALES DEL OPERADOR INCLUIDOS CON ESTA MAQUINA Y SU TRACTOR ANTES DE OPERAR ESTA MAQUINA. 2. PARA ASEGURARSE QUE SU TRACTOR CUMPLE CON LOS REQUISITOS MÍNIMOS PARA ESTA MAQUINA, REVISAR LOS MANUALES DEL OPERADOR, COLOCADOS EN LA MAQUINA. 3. PARA SU SEGURIDAD Y CONVENIENCIA, LEA TODAS LAS REGLAS DE SEGURIDAD EN LA MAQUINA. 4. MANTÉNGASE ALEJADO A LOS ESPERADORES MIENTRAS ESTA MAQUINA ESTE OPERANDO. 5. MANTÉNGA TODOS LOS PROTECTORES EN SU LUGAR MIENTRAS LA MAQUINA ESTE OPERANDO. 6. MANTÉNGA LAS MANOS, PIES, ROPA SUelta, ETC. ALEJADAS DE LAS PARTES MÓVILES DE LA MAQUINA Y DEL MOTOR ANTES DE REALIZAR SERVICIOS DE MANTENIMIENTO, INSPECCIONES O TRABAJOS EN ESTA MAQUINA POR CUALQUIER MOTIVO. ANTES DE APROXIMARSE A ESTA MAQUINA, COLOQUE SIEMPRE LA TRANSMISIÓN EN ESTACIONAMIENTO O ENGANCHE EL PUNTO DE ESTACIONAMIENTO. 8. SIEMPRE DETÉNASE ANTES DE APROXIMARSE A ESTA MAQUINA.
--	---	--	---

4 - 6500041

	WARNING No Riders Serious personal injury could result from riding on the machine.		ADVERTENCIA Pasajeros Prohibidos Podrían resultar lesiones personales graves al viajar en la maquina.
--	---	--	--

5 - 6500043



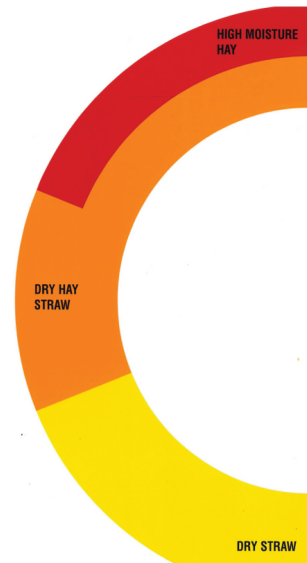
7 - 6500304

	DANGER Rotating Driveline Keep Away! Entanglement can cause serious injuries or death. Do Not Operate Without - • All driveline guards, tractor and equipment shields in place. • Drivelines securely attached at both ends. • Drivelines guards that turn freely on driveline.
--	---

6 - 6500085

	CAUTION 1. ADJUST TRACTOR DRAWBAR SO THAT THE DISTANCE FROM THE END OF THE PTO SHAFT ON THE TRACTOR TO THE CENTER OF THE DRAWBAR HITCH PIN IS 16". 2. ADJUST THE HITCH CLEVIS SO THE MACHINE IS PARALLEL WITH THE GROUND WHEN HITCHED TO TRACTOR. 3. HITCH MACHINE TO TRACTOR WITH A 1" HITCH PIN AND SECURE TO PREVENT LOSS. 4. ADJUST PTO BEARING BRACKET SO THE SHAFT ON THE MACHINE IS LEVEL WITH THE PTO SHAFT ON THE TRACTOR. SEE OWNERS MANUAL FOR MORE INFORMATION.	PRECAUCIÓN 1. AJUSTAR LA BARRA DE TIRO DEL TRACTOR DE MODO QUE LA DISTANCIA DEL EXTREMO DEL EJE DE LA TDF DEL TRACTOR AL CENTRO DEL PASADOR DEL ENGANCHE DE LA BARRA DE TIRO MEDE 16 pulg (406,4 mm). 2. AJUSTAR LA HORQUILLA DEL ENGANCHE DE MODO QUE LA MAQUINA QUEDA PARALELA CON EL SUELO CUANDO ESTA ENGANCERADA AL TRACTOR. 3. ENGANCERAR LA MAQUINA AL TRACTOR CON UN PASADOR DE ENGANCHE DE 1 pulg (25,4 mm) Y FIJARLO PARA EVITAR LA DESCONEXIÓN. 4. AJUSTAR LA ESCUDERÍA DEL CORNETE DE LA TDF DE MODO QUE EL EJE DE LA MAQUINA QUEDA AL MISMO NIVEL CON EL EJE DE LA TDF DEL TRACTOR. VER EL MANUAL DEL OPERADOR PARA MÁS INFORMACIÓN.
--	---	--

8 - 6500322



9 - 6500356

	EXTEND LOADER CYLINDER FULLY. REMOVE THE PINS, AND PLACE THEM IN THE LOWEST HOLE IN THE BRACKET.
--	--

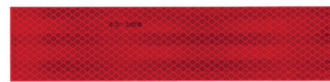
10 - 6500361



11 - 6500362

	10
--	----

12 - 6500417



13 - 6500434



14 - 6500435



15 - 6500482



17 - 6500493 17a - 6500527

	WARNING No Step. Do not step, stand or sit on this surface. May cause injury and/or equipment damage.
--	---

16 - 6500490

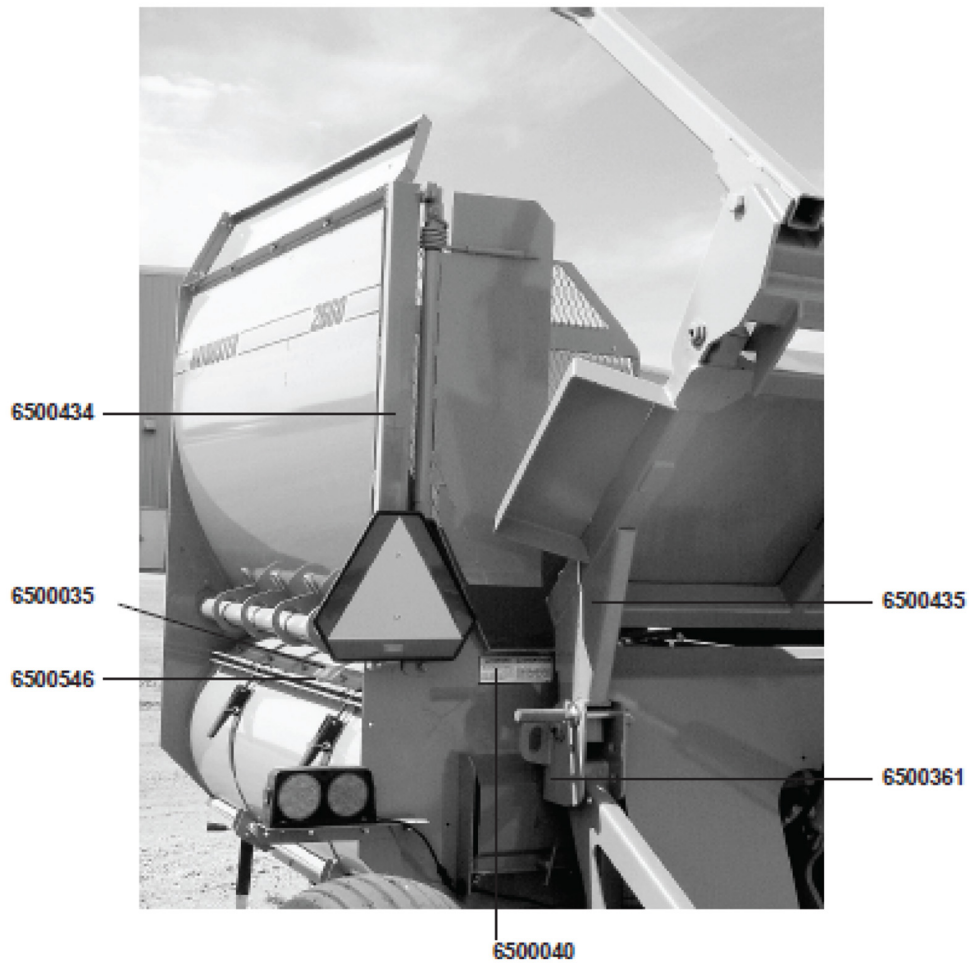
	FLAIL BOLTS 5/8X4-NF GR8 TIGHTEN 156 FT-LBS
--	--

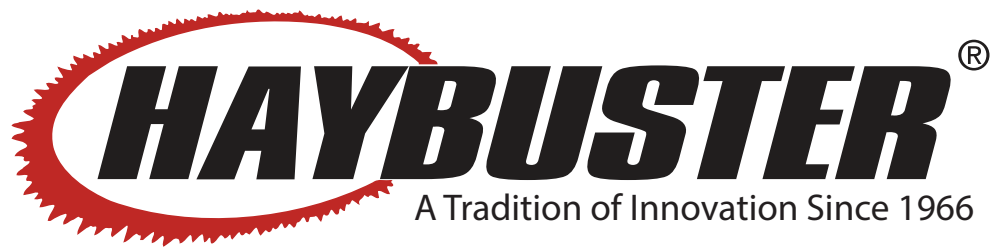
18 - 6500546

2660/2665 Decals

Item	Part No.	Name	Remarks	Qty	Uom
1	6500034	DECAL\DNGR\FLYG;HAY\RACK		2	EA.
2	6500035	DECAL\DNGR\ROTATNG;FLAILS		1	EA.
3	6500040	DECAL\WARN\SHIELD\PROT		1	EA.
4	6500041	DECAL\WARN\PROTECTION		1	EA.
5	6500043	DECAL\WARN\NO;RIDERS		1	EA.
6	6500085	DECAL\DNGR\ROTATNG;DR-LNE		1	EA.
7	6500304	DECAL\LOGO\HYBST\1-3/4W/		1	EA.
8	6500322	DECAL\CAUTION\ADJ.DRAWBAR		1	EA.
9	6500356	DECAL\INDEX\SLUGBAR		1	EA.
10	6500361	DECAL\PIN\LOADER\2650		2	EA.
11	6500362	DECAL\INFO\BALE ROTATION CNRT CLCKWS\ARROW		1	EA.
12	6500417	DECAL\GREASE\10 HRS		5	EA.
13	6500434	DECAL\2X9\RED\REFCT		5	EA.
14	6500435	DECAL\2X9\AMBER\REFCT		5	EA.
15	6500482	DECAL\LOGO\2660W\STRIPE		2	EA.
16	6500490	DECAL\WARN\NO STEP		1	EA.
17	6500493	DECAL\LOGO\2665W\STRIPE		2	EA.
17a	6500527	DECAL\LOGO\SHORTCUT		2	EA.
18	6500546	DECAL\BOLTS\FLAIL\156 FT-LBS		1	EA.
CA	6500481	DECAL\KIT\2660			EA.
CA	6500492	DECAL\KIT\2665			EA.
NS	7500077	Yellow Spray Paint	ORDER 7500980		EA.
NS	7500092	Yellow Paint			EA.
NS	7500091	Yellow Paint			EA.
NS	7500078	Red Spray Paint			EA.
NS	7500105	Red Paint			EA.
NS	7500104	Red Paint			EA.







Delivery Report

Delivery Date	Machine Model	Serial No.	
Dealer Name		Engine Serial No.	
Dealer Address		Invoice No.	
Dealer City	State	Zip	
Dealer Email		Phone	

Customer Name			
Customer Address		Phone	
Customer City	State	Zip	
Customer Email			

The following items are to be checked as they are explained to the owner / operator at the time of delivery

- Explain the delivery packet and present the operators manual(s) to the owner / operator.
- Review and inspect the machine safety signs (decals) and the operator's manual.
- Advise the owner that the dealer is the source to obtain operator training, and information regarding the correct application of the machine to the job, as well as service and warranty information.
- Explain the capabilities and restrictions of the machine as it applies to the owner's application as defined in the operator's manual.
- Explain the operation of the controls and start up and shut down procedures of the engine and power transmission components of the machine.
- Explain rated lift or carrying capacity and loading and unloading procedures of the machine to maintain safety and stability of the machine.
- Explain proper folding, unfolding, and transporting procedures to the owner / operator.
- Explain recommended fueling procedures on engine equipped machines.
- Explain proper loading and unloading of materials from the tub or grinding chamber of the machine.
- Objects thrown by shredding or spinning rotors may represent a hazard to personnel and property in the area. Minimize risks by planning and by keeping personnel and property clear of hazaard area.
- Explain the availability and use of the tub cover to further reduce risks of thrown objects.
- Review maintenance and lubrication procedures with the operator / maintenance person as defined in the operators manual.
- Advise never to use the machine in an environment with explosive or flammable materials present.
- Explain warranty policy and limitations to the owner / operator.



Warning

Misuse of the machine or modification or removal of the guards, safety devices, or control interlocks can cause injury or death.

The above delivery information has been explained to me. I understand the operation and maintenance of this machine. I also acknowledge the warranty conditions and limitations as outlined.	
Owner / Operator Signature	Date
Dealer Representative Signature	Date