

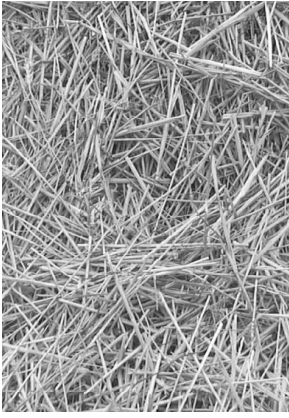
CMF-700TM VERTICAL MIXER

S.N. 700GJ0013 UP TO 700120077

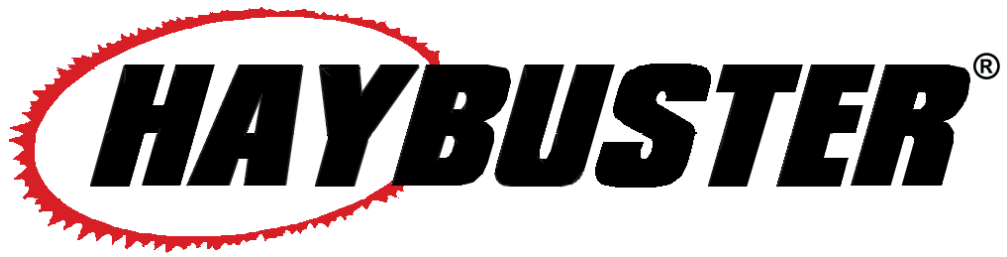
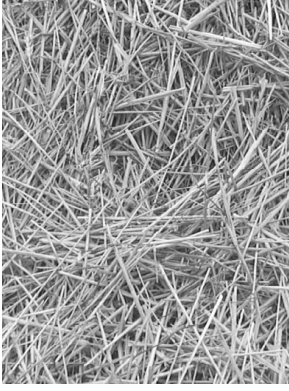
Includes Truck Mount Supplement

**Operating Instructions
and Parts Reference**





HAYBUSTER[®]
A Tradition of Innovation Since 1966



CMF-700TM

VERTICAL

MIXER



S.N. 700GJ0013 UP TO 700120077

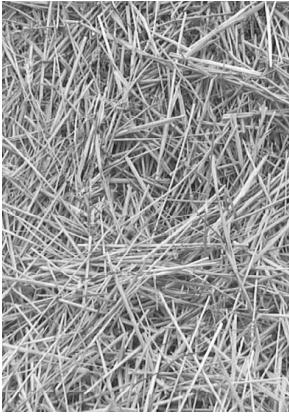
Includes Truck Mount Supplement

Operating Instructions and Parts Reference

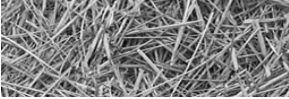
DuraTech Industries International Inc. (DuraTech Industries) has made every effort to assure that this manual completely and accurately describes the operation and maintenance of the *CMF-700TM* as of the date of publication. DuraTech Industries reserves the right to make updates to the machine from time to time. Even in the event of such updates, you should still find this manual to be appropriate for the safe operation and maintenance of your unit.

This manual, as well as materials provided by component suppliers to DuraTech Industries are all considered to be part of the information package. Every operator is required to read and understand these manuals, and they should be located within easy access for periodic review.

 **DURATECH**® &  are registered trademarks of Duratech Industries International, Inc. *CMF-700* is a trademark of Duratech Industries International, Inc.



HAYBUSTER[®]
A Tradition of Innovation Since 1966



Foreword

All personnel must read and understand the following sections before operating the *CMF-700 VERTICAL MIXER*.

Appropriate use of unit\Introduction

Your model CMF-700 is designed to cut, mix and distribute feed rations including baled forage. It is designed for all bale sizes and ration moisture contents.

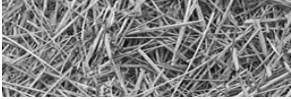


To avoid possible damage to the machine and risk of injury to the operator, consult with a DuraTech Industries International, Inc. (DuraTech Industries) representative before attempting to mix and distribute materials other than livestock forage.

The CMF-700 is used to mix hay and forage with grain and other supplements to feed livestock. The front conveyor with optional left, right or tandem discharge makes distribution of forage mix easier.

Statement of Misuse

This vertical mixer is not to be used for any purpose other than for which it is intended as explained in the operator's manual, advertising material and other pertinent written material prepared by DuraTech Industries. Any machine subject to misuse may cause personal injury or death, and void manufactures warranty.



FOREWORD

Purpose

The purpose of this owner's manual is to explain maintenance requirements and routine adjustments for the most efficient operation of your CMF-700. There is also a trouble shooting section that may help in case of problems in the field. Any information not covered in this manual may be obtained from your dealer.



Special Note: When reference is made as to front, rear, right hand or left hand of this machine, the reference is always made from standing at the rear end of the machine and looking towards the hitch. Always use serial number and model number when referring to parts or problems. Please obtain your serial number and write it below for your future reference.

MODEL: CMF-700 VERTICAL MIXER SERIAL NO _____

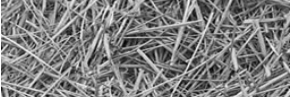
How to use this manual

Manual organization

This manual is organized into the following parts:

- **Part 1:** Operating Manual explains how to set up, use and maintain the CMF-700 VERTICAL MIXER.
 1. Section 1: Safety
 2. Section 2: Dealer Preparation
 3. Section 3: Operation
 4. Section 4: Lubrication
 5. Section 5: Troubleshooting
 6. Section 6: Options
 7. Section 7: Maintenance

- **Part 2:** Parts Reference contains diagrams of each assembly, with the part number of each part. A key on the facing page contains a description of the part and the quantity used.
 1. The **parts reference** section can be found towards the back of this manual behind **Appendix B**.

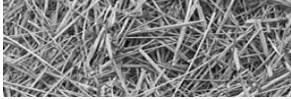


Dealer responsibilities

- Read Section 2, “Dealer Preparation,” and perform the tasks outlined. Also perform a pre-operation inspection as described in Section 3.
- Upon delivery of the unit to the customer, it is your responsibility to conduct a training session on the safe operation of the unit for primary operator(s). You must also conduct a “walk-around” inspection of all safety instructional decals on the machine itself. Decals are illustrated in **Part 2: Parts Reference**.
- Complete and return the Warranty Registration Card. Receipt of this form is required to activate the warranty. **Appendix A** provides details of the warranty.

Operator responsibilities

- Operator is responsible for his safety.
- Operator is also responsible for the safety of others near the machine.
- Review Section 2, “Dealer Preparation,” to verify that the machine has been prepared for use.
- Thoroughly review sections 1 and 3, which explain normal operation of the machine, and section 4, which explains maintenance requirements.
- Note the important safety information in the Forward and Section 1, “Safety”
- Keep copies of all manuals in a readily accessible location for future reference



Part I: Operating instructions 1

Section 1: Safety 2

1.1 Safety-alert symbols 2

1.2 Operator - personal equipment 4

1.3 Machine safety labels 5

1.5 Safety review section 9

1.4 Shielding..... 9

1.6 Towing/road transport 12

Section 2: Dealer Preparation 13

2.1 Pre-delivery inspection..... 13

Section 3: Operation 14

3.1 Pre-starting inspection instructions 15

3.2 Setup and Adjustments 16

3.2.1 Hitch Adjustments 16

3.2.2 Jack 16

3.2.3 P.T.O. Shield 17

3.2.4 Hydraulic Cylinder and Valve..... 17

3.2.5 Tires and Rims 18

3.2.6 Knives 18

3.2.7 Vertical knives..... 18

3.2.8 Free motion automatic clutch 19

3.2.9 Scale Indicator 19

3.2.10 Two-Speed Gearbox (Option)..... 19

3.2.11 Extension Conveyor Spouts (Option) 19

3.3 Hitching the CMF-700 20

3.4 Unhitching the CMF-700 21

3.5 Operation precautions and instructions 22

3.6 Starting the machine 22

3.7 Loading and processing 22

3.8 Unloading 23

3.9 Storing the CMF-700 mixer/feeder 23

3.12 Light Kit 24

3.10 Removing the CMF-700 from storage 24

3.11 Normal shut-down procedure 24

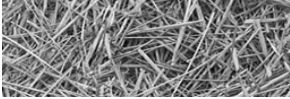


TABLE OF CONTENTS

Section 4: Lubrication.....	25
4.1 Lubrication	25
4.2 General appearance	30
Section 5: Troubleshooting.....	31
Section 6: Options.....	32
6.1 Rear bay door	32
6.2 Magnetic extension spouts	32
6.3 Non-magnetic extension spout	32
6.4 Two-Speed Gearbox	33
Section 7: Maintenance	35
7.1 Welding Procedure	35
Appendix A: Warranty	36
Appendix B: CMF-700 Specifications	37
CMF-700 Truck Mount Operators Manual Supplement..	39
Supplement Section 1: Control Panel in truck cab	40
Supplement Section 2: Loading and processing for the CMF TRUCK MOUNT .	41
Supplement Section 3: Lubrication	41
Supplement Section 4: Hydraulic system and Hydrostatic pump filters	43
Supplement Section 5: Replacement Service parts	44
CMF-700 Truck Mount Specifications.....	45
Sound Pressure Level and Sound Power Level Information	46

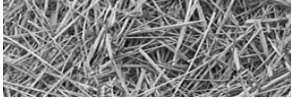


TABLE OF CONTENTS

Part II : Parts Reference.....47

TUB ASSEMBLY (FOR S.N. GJ0013 TO GJ0027)..... 48

TUB ASSEMBLY (FOR S.N. 700HJ0028 AND UP)..... 50

TUB LINER ASSEMBLY (FOR S.N. 700HJ0028 AND UP) 52

MAINFRAME (STANDARD) (FOR S.N. GJ0013 TO GJ0027)..... 54

MAINFRAME WITH 2 SPEED GEARBOX (OPTION)
(FOR S.N. GJ0013 TO GJ0027) 56

MAINFRAME ASSEMBLY (FOR S.N. 700HJ0028 AND UP) 58

DRIVE LINE OPTION - STANDARD - 1-3/4 CV
(FOR S.N. 700HJ0028 AND UP) 60

DRIVE LINE OPTION - 2 SPEED GEARBOX - 1-3/4 CV
(FOR S.N. 700HJ0028 TO 700100062)..... 62

DRIVE LINE OPTION - 2 SPEED GEARBOX - 1-3/4 CV
(FOR S.N. 700100063 AND UP)..... 64

DRIVE LINE OPTION - 2 SPEED GEARBOX - 1-3/8 CV
(FOR S.N. 700HJ0028 TO 700100062)..... 66

DRIVE LINE OPTION - 2 SPEED GEARBOX - 1-3/8 CV
(FOR S.N. 700100063 AND UP)..... 68

DRIVE LINE OPTION - STANDARD - 1-3/8 CV
(FOR S.N. 700HJ0028 AND UP) 70

AUGER ASSEMBLY..... 72

LEFT HAND DISCHARGE CONVEYOR ASSEMBLY
(FOR S.N. UP TO 700HJ0047)..... 74

LEFT HAND DISCHARGE CONVEYOR ASSEMBLY
(FOR S.N. 700100048 AND UP)..... 76

COMPLETE LEFT HAND DISCHARGE CONVEYOR ASSEMBLY
(FOR S.N. UP TO 700HJ0047)..... 78

COMPLETE LEFT HAND DISCHARGE CONVEYOR ASSEMBLY
(FOR S.N. 700100048 AND UP)..... 80

RIGHT HAND DISCHARGE CONVEYOR ASSEMBLY
(FOR S.N. UP TO 700HJ0047)..... 82

RIGHT HAND DISCHARGE CONVEYOR ASSEMBLY
(FOR S.N. 700100048 AND UP)..... 84

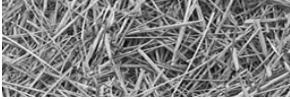


TABLE OF CONTENTS

COMPLETE RIGHT HAND DISCHARGE CONVEYOR ASSEMBLY (FOR S.N. UP TO 700HJ0047).....	86
COMPLETE RIGHT HAND DISCHARGE CONVEYOR ASSEMBLY (FOR S.N. 700100048 AND UP).....	88
DUAL DISCHARGE CONVEYOR ASSEMBLY (OPTION) (FOR S.N. UP TO 700HJ0047).....	90
DUAL DISCHARGE CONVEYOR ASSEMBLY (OPTION) (FOR S.N. 700100048 AND UP).....	92
MAIN CONVEYOR ASSEMBLY-4704586 - SUB ASSEMBLY 1 (USE W/ DUAL & RH DISCHARGE) (FOR S.N. UP TO 700HJ0047)	94
MAIN CONVEYOR ASSEMBLY-4704586 - SUB ASSEMBLY 2 (USE W/ DUAL & RH DISCHARGE) (FOR S.N. UP TO 700HJ0047)	95
MAIN CONVEYOR ASSEMBLY-4704586 PARTS LIST (FOR S.N. UP TO 700HJ0047).....	97
MAIN CONVEYOR ASSEMBLY-4704973 - SUB ASSEMBLY 1 (USE W/ DUAL & RH DISCHARGE) (FOR S.N. 700100048 AND UP)	98
MAIN CONVEYOR ASSEMBLY-4704973 - SUB ASSEMBLY 2 (USE W/ DUAL & RH DISCHARGE) (FOR S.N. 700100048 AND UP)	99
MAIN CONVEYOR ASSEMBLY-4704973 - DETAIL A (USE W/ DUAL & RH DISCHARGE) (FOR S.N. 700100048 AND UP)	100
MAIN CONVEYOR ASSEMBLY-4704973 - PARTS LIST (USE W/ DUAL & RH DISCHARGE) (FOR S.N. 700100048 AND UP)	101
MAIN CONVEYOR ASSEMBLY-4704578 - SUB ASSEMBLY 1 (USE W/LH DISCHARGE) (FOR S.N. UP TO 700HJ0047)	102
MAIN CONVEYOR ASSEMBLY-4704578 - SUB ASSEMBLY 2 (USE W/LH DISCHARGE) (FOR S.N. UP TO 700HJ0047)	103
MAIN CONVEYOR ASSEMBLY-4704578 PARTS LIST (FOR S.N. UP TO 700HJ0047).....	105
MAIN CONVEYOR ASSEMBLY-4704972 - SUB ASSEMBLY 1 (USE W/LH DISCHARGE) (FOR S.N. 700100048 AND UP).....	106
MAIN CONVEYOR ASSEMBLY-4704972 - SUB ASSEMBLY 2 (USE W/LH DISCHARGE) (FOR S.N. 700100048 AND UP).....	107

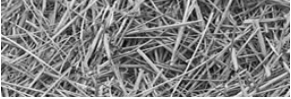


TABLE OF CONTENTS

MAIN CONVEYOR ASSEMBLY-4704972 - DETAIL A (USE W/LH DISCHARGE) (FOR S.N. 700100048 AND UP).....	108
MAIN CONVEYOR ASSEMBLY-4704972 - PARTS LIST (USE W/LH DISCHARGE) (FOR S.N. 700100048 AND UP).....	109
OPTIONAL-LH DOGLEG DISCHARGE CONVEYOR.....	110
OPTIONAL-LH DOGLEG DISCHARGE CONVEYOR DETAILS A & B	112
OPTIONAL-LH DOGLEG DISCHARGE CONVEYOR COMPLETE	114
OPTIONAL-RH DOGLEG DISCHARGE CONVEYOR	116
OPTIONAL-RH DOGLEG DISCHARGE CONVEYOR DETAIL A	118
OPTIONAL-RH DOGLEG DISCHARGE CONVEYOR COMPLETE	120
MAGNETIC CONVEYOR CHUTE ASSEMBLY.....	122
NON-MAGNETIC CONVEYOR CHUTE ASSEMBLY.....	123
NON-MAGNETIC CONVEYOR END GATE ASSEMBLY.....	124
MAGNETIC CONVEYOR END GATE ASSEMBLY.....	125
SINGLE DISCHARGE CONVEYOR HYDRAULICS	126
CONVEYOR CYLINDER HYDRAULICS	127
PRESSURE VALVE HYDRAULICS.....	128
ORBIT MOTOR HYDRAULICS.....	129
DOOR CYLINDER HYDRAULICS.....	130
SINGLE DISCHARGE CONVEYOR HYDRAULICS	131
BASE HYDRAULIC SCHEMATIC	133
BASE HYDRAULICS - DETAIL A	134
BASE HYDRAULICS - DETAIL B	135
BASE HYDRAULICS - DETAIL C	136
BASE HYDRAULICS PARTS LIST.....	137
ORBIT MOTORS 3900025-3900032	138
HYDRAULIC CYLINDER ASSEMBLY.....	140
3100212 2-SPEED GEARBOX ASSEMBLY	142
3100225 - 2-SPEED GEARBOX ASSEMBLY	144
3100207 SINGLE PLANETARY GEARBOX (FOR S.N. UP TO 700HJ0028).....	146
3100208 DOUBLE PLANETARY GEARBOX (FOR S.N. UP TO 700HJ0028).....	147
3100215 SINGLE PLANETARY GEARBOX (FOR S.N. 700HJ0029 AND UP)	148
3100216 DOUBLE PLANETARY GEARBOX (FOR S.N. 700HJ0029 AND UP)	149
HUB ASSEMBLY (FOR S.N. UP TO 700GJ0027).....	150

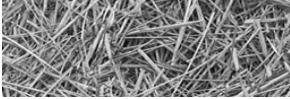


TABLE OF CONTENTS

HUB AND SWIVEL AXLE (S.N. 700HJ0028 AND UP) 152

STANDARD DRIVELINE - 3600530 154

STANDARD DRIVELINE - 3600526 155

STANDARD DRIVELINE - 3600493 (FOR S.N. UP TO 700GJ0027)..... 156

STANDARD DRIVELINE - 3600647 (FOR S.N. 700HJ0028 AND UP) 156

STANDARD DRIVELINE - 3600551 (FOR S.N. UP TO 700GJ0027)..... 157

STANDARD DRIVELINE - 3600648 (FOR S.N. 700HJ0028 AND UP) 157

2-SPEED DRIVELINE - 3600553 158

2-SPEED DRIVELINE - 3600619 159

2-SPEED DRIVELINE - 3600554 (FOR S.N. UP TO 700GJ0027)..... 160

2 SPEED DRIVELINE - 3600649 (FOR S.N. 700HJ0028 AND UP) 160

2-SPEED DRIVELINE - 3600551 (FOR S.N. UP TO 700GJ0027)..... 161

2 SPEED DRIVELINE - 3600648 (FOR S.N. 700HJ0028 AND UP) 161

DECALS 162

DECAL LOCATIONS 164

CMF TAIL LIGHTS WIRING SCHEMATIC 166

TRUCK MOUNT PARTS REFERENCE SUPPLEMENT 167

TRUCK MOUNT FRAME ASSEMBLY - FRONT 168

TRUCK MOUNT FRAME ASSEMBLY - REAR 170

TRUCK MOUNT FRAME ASSEMBLY - DETAIL A..... 172

TRUCK MOUNT TUB ASSEMBLY 174

TRUCK MOUNT - TUB LINER..... 176

TRUCK MOUNT - AUGER ASSEMBLY 178

TRUCK MOUNT MAIN CONVEYOR ASSEMBLY - 4704860 - VIEW 1
(FOR S.N. UP TO 700HJ004TRK)..... 180

TRUCK MOUNT MAIN CONVEYOR ASSEMBLY - 4704860 - DETAIL A
(FOR S.N. UP TO 700HJ004TRK)..... 182

TRUCK MOUNT MAIN CONVEYOR ASSEMBLY - 4704974 - VIEW 1
(FOR S.N. 70010005 AND UP)..... 184

TRUCK MOUNT MAIN CONVEYOR ASSEMBLY - 4704974 - DETAIL A
(FOR S.N. 70010005 AND UP)..... 186

REAR BUMPER ASSEMBLY 188

TRUCK MOUNT DRIVELINE - 3600534 190

TRUCK MOUNT HYDRAULICS 191

HYDRAULIC MOTORS..... 192

SHIFT BLOCK 194

FLUSH/LOOP BLOCK 196

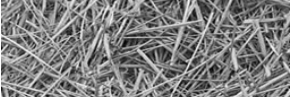


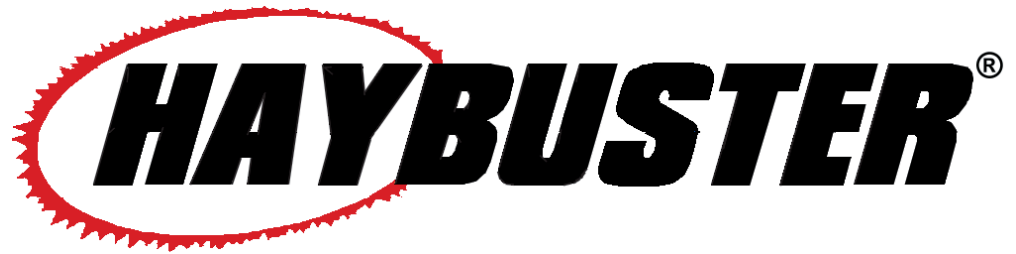
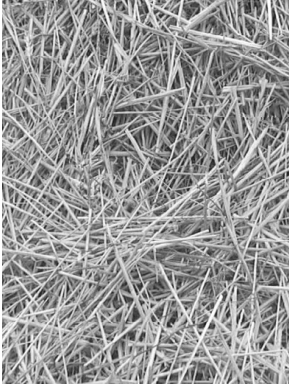
TABLE OF CONTENTS

HYDRAULIC TANK.....	198
HYDRAULIC RADIATOR	200
AUXILIARY VALVE	202
AUXILIARY VALVE	204
DOOR AND CONVEYOR CYLINDERS	206
CONVEYOR MOTORS	208
HYDRO PUMPS.....	210
GEAR PUMP	212
CMF-700 TRUCK MOUNT MAIN WIRING HARNESS	214
CMF-700 TRUCK MOUNT MAIN WIRING SCHEMATIC	215

CMF-700 DOCUMENTATION COMMENT FORM.....	217
--	------------

APPENDIX A FOLDOUTS

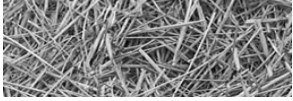
CMF-700 TRUCK MOUNT HYDRAULIC SCHEMATIC	FO-1
---	------



CMF-700TM VERTICAL MIXER

**S.N. 700GJ0013 UP TO 700120077
Includes Truck Mount Supplement**

PART 1: Operating Instructions



Section 1: Safety

The safety of the operator is of great importance to DuraTech Industries. We have provided decals, shield and other safety features to aid you in using your machine safely. In addition, we ask you to be a careful operator who will properly use and service your Haybuster equipment.



WARNING: FAILURE TO COMPLY WITH SAFETY INSTRUCTIONS THAT FOLLOW WITHIN THIS MANUAL COULD RESULT IN SEVERE PERSONAL INJURY OR DEATH. BEFORE ATTEMPTING TO OPERATE THIS MACHINE, CAREFULLY READ ALL INSTRUCTIONS CONTAINED WITHIN THIS MANUAL. ALSO READ THE INSTRUCTION MANUAL PROVIDED WITH YOUR TRACTOR.

THIS MACHINE IS NOT TO BE USED FOR ANY OTHER PURPOSE OTHER THAN THOSE EXPLAINED IN THE OPERATOR'S MANUAL, ADVERTISING LITERATURE OR OTHER DURATECH INDUSTRIES WRITTEN MATERIAL PERTAINING TO THE CMF-700.

1.1 Safety-alert symbols

Decals are illustrated in **Part 2: Parts Reference**.

The safety decals located on your machine contain important and useful information that will help you operate your equipment safely.

To assure that all decals remain in place and in good condition, follow the instructions below:

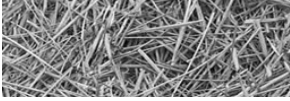
- Keep decals clean. Use soap and water - not mineral spirits, adhesive cleaners and other similar cleaners that will damage the decal.
- Replace all damaged or missing decals. When attaching decals, surface temperature of the machine must be at least 40° F (5° C). The surface must be also be clean and dry.
- When replacing a machine component to which a decal is attached, be sure to also replace the decal.

DuraTech Industries uses industry accepted **ISO/ANSI** standards in labeling its products for safety and operational characteristics.



Safety-Alert Symbol

Read and recognize safety information. Be alert to the potential for personal injury when you see this safety-alert symbol.



DANGER: Indicates an imminently hazardous situation that, if not avoided, will result in death or serious injury. This signal word is to be limited to the most extreme situations, typically for machine components that, for functional purposes, cannot be guarded.

WARNING: Indicates a potentially hazardous situation that, if not avoided, could result in death or serious injury, and includes hazards that are exposed when guards are removed. It may also be used to alert against unsafe practices.

CAUTION: Indicates a potentially hazardous situation that, if not avoided, may result in minor or moderate injury. It may also be used to alert against unsafe practices.

This manual uses the symbols to the right to denote important safety instructions and information.

The **DANGER**, **WARNING** and **CAUTION** symbols are used to denote conditions as stated in the text above. Furthermore, the text dealing with these situations is surrounded by a box with a white background, will begin with **DANGER**, **WARNING**, or **CAUTION**.

The **INFORMATION** symbol is used to denote important information or notes in regards to maintenance and use of the machine. The text for this information is surrounded by a box with a light grey background, and will begin with either **Important** or **Note**.



DANGER:
Signal word - White Lettering/Red Background
Safety Alert Symbol - White Triangle/Red Exclamation Point



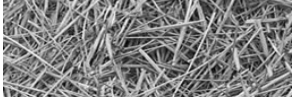
WARNING:
Signal word - Black Lettering/Orange Background
Safety Alert Symbol - Black Triangle/Orange Exclamation Point



CAUTION:
Signal word - Black Lettering/Yellow Background
Safety Alert Symbol - Black Triangle/Yellow Exclamation Point



	<p>1. Yellow warning triangle/black graphical symbol, indicates what the hazard is. Hazard Identification</p>
	<p>2. Red circle-with-slash/black graphical symbol indicates a prohibited action to avoid the hazard. Prohibited Action</p>
	<p>3. Blue mandatory action circles/white graphical symbol - indicates an action to take to avoid the hazard. Mandatory Action</p>



1.2 Operator - personal equipment

THE OPERATOR

Physical Condition

You must be in good physical condition and mental health and not under the influence of any substance (drugs, alcohol) which might impair vision, dexterity or judgment.

Do not operate a **CMF-700 VERTICAL MIXER** when you are fatigued. Be alert - If you get tired while operating your **CMF-700 VERTICAL MIXER**, take a break. Fatigue may result in loss of control. Working with any farm equipment can be strenuous. If you have any condition that might be aggravated by strenuous work, check with your doctor before operating

Proper Clothing



Clothing must be sturdy and snug-fitting, but allow complete freedom of movement. Avoid loosefitting jackets, scarfs, neckties, jewelry, flared or cuffed pants, unconfined long hair or anything that could become entangled with the machine.



Protect your hands with gloves when handling flail and sections. Heavyduty, nonslip gloves improve your grip and protect your hands.



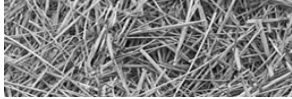
Good footing is most important. Wear sturdy boots with nonslip soles. Steel-toed safety boots are recommended.



To reduce the risk of injury to your eyes never operate a **CMF-700 VERTICAL MIXER** unless wearing goggles or properly fitted safety glasses with adequate top and side protection.




Tractor noise may damage your hearing. Always wear sound barriers (ear plugs or ear muffers) to protect your hearing. Continual and regular users should have their hearing checked regularly.



1.3 Machine safety labels

The safety decals located on your machine contain important information that will help you operate your equipment. Become familiar with the decals and their locations.


 **DANGER:** ROTATING DRIVELINE, CONTACT CAN CAUSE DEATH, KEEP AWAY!

DO NOT OPERATE WITHOUT

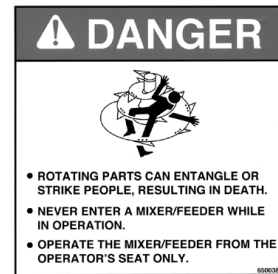
- ALL DRIVELINE GUARDS, TRACTOR AND EQUIPMENT SHIELDS IN PLACE
- DRIVELINES SECURELY ATTACHED AT BOTH ENDS
- DRIVELINE GUARDS THAT TURN FREELY ON DRIVELINE




6500085

 **DANGER**

- ROTATING PARTS CAN ENTANGLE OR STRIKE PEOPLE, RESULTING IN DEATH.
- NEVER ENTER A MIXER/FEEDER WHILE IN OPERATION.
- OPERATE THE MIXER/FEEDER FROM THE OPERATOR'S SEAT ONLY.



6500383

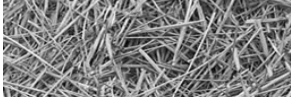
 **WARNING:** HIGH-PRESSURE FLUID HAZARD

To prevent serious injury or death:

- Relieve pressure on system before repairing or adjusting or disconnecting.
- Wear proper hand and eye protection when searching for leaks. Use wood or cardboard instead of hands.
- Keep all components in good repair.



6500220



WARNING: PINCH POINT STAY BACK

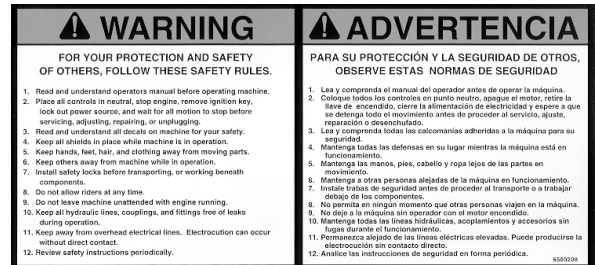


6500339



WARNING: FOR YOUR PROTECTION AND SAFETY OF OTHERS, FOLLOW THESE SAFETY RULES.

1. Read and understand operators manual before operating machine.
2. Place all controls in neutral, stop engine, remove ignition key, lock out power source, and wait for all motion to stop before servicing, adjusting, repairing, or unplugging.
3. Read and understand all decals on machine for your safety.
4. Keep all shields in place while machine is in operation.
5. Keep hands, feet, hair, and clothing away from moving parts.
6. Keep others away from machine while in operation.
7. Install safety locks before transporting, or working beneath components.
8. Do not allow riders at any time.
9. Do not leave machine unattended with engine running.
10. Keep all hydraulic lines, couplings, and fittings free of leaks during operation.
11. Keep away from overhead electrical lines. Electrocutation can occur without direct contact.
12. Review safety instructions periodically.



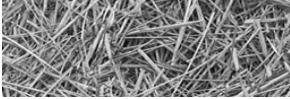
6500208





WARNING: NO RIDERS
SERIOUS INJURY COULD RESULT FROM RIDING ON THE MACHINE.




6500043



 **WARNING:** Risk of eye injury
Eye Protection required


 **WARNING**
Risk of eye injury.
Eye protection required.


6500487

 **WARNING:** Moving parts can crush and cut.
Keep hands clear.


 **WARNING**
Moving parts can crush and cut.
Keep hands clear.

6500488

 **WARNING:** Noise hazard.
Ear protection required.


 **WARNING**
Noise hazard.
Ear protection required.

6500489

 **WARNING:** Noise hazard.
Ear protection required.

 **WARNING**
No Step.
Do not step, stand or sit on this surface.
May cause injury and/or equipment damage.

6500490

 **CAUTION:**

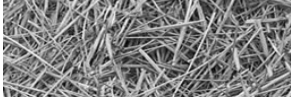
1. ADJUST TRACTOR DRAWBAR SO THAT THE DISTANCE FROM THE END OF THE P.T.O. SHAFT ON THE TRACTOR TO THE CENTER OF THE DRAWBAR HITCH PIN IS 16".
2. ADJUST THE HITCH CLEVIS SO THE MACHINE IS PARALLEL WITH THE GROUND WHEN HITCHED TO TRACTOR.
3. HITCH MACHINE TO TRACTOR WITH A 1" HITCH PIN AND SECURE TO PREVENT LOSS.
4. ADJUST PTO BEARING BRACKET SO THE SHAFT ON THE MACHINE IS LEVEL WITH THE PTO SHAFT ON THE TRACTOR.



CAUTION	PRECAUCIÓN
1. ADJUST TRACTOR DRAWBAR SO THAT THE DISTANCE FROM THE END OF THE PTO SHAFT ON THE TRACTOR TO THE CENTER OF THE DRAWBAR HITCH PIN IS 16".	1. AJUSTAR LA BARRA DE TRACCIÓN DEL TRACTOR DE MODO QUE LA DISTANCIA DEL EXTREMO DEL EJE DE LA TDP DEL TRACTOR AL CENTRO DEL PASADOR DEL ENGANCHE DE LA BARRA DE TRACCIÓN SEA DE 16" (406,4 mm).
2. ADJUST THE HITCH CLEVIS SO THE MACHINE IS PARALLEL WITH THE GROUND WHEN HITCHED TO TRACTOR.	2. AJUSTAR LA HORQUILLA DEL ENGANCHE DE MODO QUE LA MÁQUINA QUESE TRABAJA CON EL SUELO CUANDO ESTÁ ENGANCHADA AL TRACTOR.
3. HITCH MACHINE TO TRACTOR WITH A 1" HITCH PIN AND SECURE TO PREVENT LOSS.	3. ENGANCHAR LA MÁQUINA AL TRACTOR CON UN PASADOR DE ENGANCHE DE 1" (25,4 mm) Y FIJARLO PARA EVITAR LA PÉRDIDA.
4. ADJUST PTO BEARING BRACKET SO THE SHAFT ON THE MACHINE IS LEVEL WITH THE PTO SHAFT ON THE TRACTOR.	4. AJUSTAR LA ESCALERA DEL CUMETEL DE LA TDP DE MODO QUE EL EJE DE LA MÁQUINA QUESE AL MISMO NIVEL CON EL EJE DE LA TDP DEL TRACTOR.

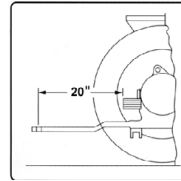
SEE OWNERS MANUAL FOR MORE INFORMATION. VER EL MANUAL DEL OPERADOR PARA MÁS INFORMACIÓN.

6500322



CAUTION:

1. ADJUST TRACTOR DRAWBAR SO THAT THE DISTANCE FROM THE END OF THE P.T.O. SHAFT ON THE TRACTOR TO THE CENTER OF THE DRAWBAR HITCH PIN IS 20".
2. ADJUST THE HITCH CLEVIS SO THE MACHINE IS PARALLEL WITH THE GROUND WHEN HITCHED TO TRACTOR.
3. HITCH MACHINE TO TRACTOR WITH A 1" HITCH PIN AND SECURE TO PREVENT LOSS.
4. ADJUST PTO BEARING BRACKET SO THE SHAFT ON THE MACHINE IS LEVEL WITH THE PTO SHAFT ON THE TRACTOR.



CAUTION

1. ADJUST TRACTOR DRAWBAR SO THAT THE DISTANCE FROM THE END OF THE PTO SHAFT ON THE TRACTOR TO THE CENTER OF THE DRAWBAR HITCH PIN IS 20".
2. ADJUST THE HITCH CLEVIS SO THE MACHINE IS PARALLEL WITH THE GROUND WHEN HITCHED TO TRACTOR.
3. HITCH MACHINE TO TRACTOR WITH A 1" HITCH PIN AND SECURE TO PREVENT LOSS.
4. ADJUST PTO BEARING BRACKET SO THE SHAFT ON THE MACHINE IS LEVEL WITH THE PTO SHAFT ON THE TRACTOR.

SEE OWNERS MANUAL FOR MORE INFORMATION

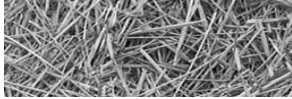
PRECAUCIÓN

1. AJUSTAR LA BARRA DE TIRO DEL TRACTOR DE MODO QUE LA DISTANCIA DEL EXTREMO DEL EJE DE LA TDT DEL TRACTOR AL CENTRO DEL PASAJE DEL ENGANCHE DE LA BARRA DE TIPO MCA 20 sea 20 (508 mm)
2. AJUSTAR LA PORNQUELLA DEL ENGANCHE DE MODO QUE LA MAQUINA QUEDA PARALELA CON EL SUELO CUANDO ESTA ENGANCHADA AL TRACTOR.
3. ENGANCHAR LA MAQUINA AL TRACTOR CON UN PASAJE DE ENGANCHE DE 1 pulg (25.4 mm) Y FIJARLO PARA EVITAR LA DESCONEXION.
4. AJUSTAR LA ESCUDADORA DEL COINETE DE LA TDT DE MODO QUE EL EJE DE LA MAQUINA QUEDA AL MISMO NIVEL CON EL EJE DE LA TDT DEL TRACTOR.

VER EL MANUAL DEL OPERADOR PARA MAS INFORMACION.

6500391

- Replacement decals can be purchased from your Haybuster dealer.



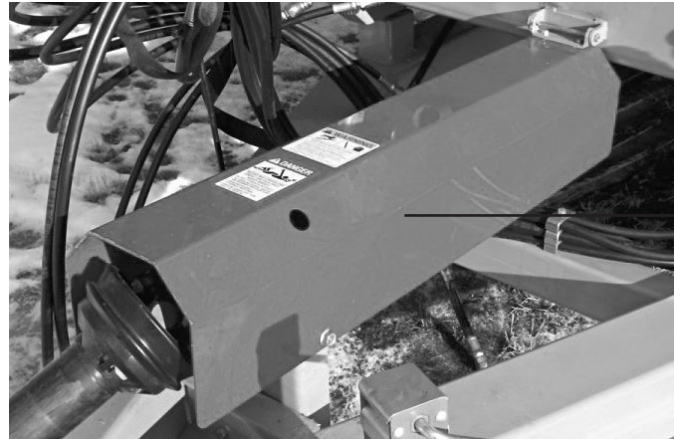
1.4 Shielding

Shields are installed for your protection. Keep them in place, and replace damaged shields.

figure 1.1
PTO driveline shield

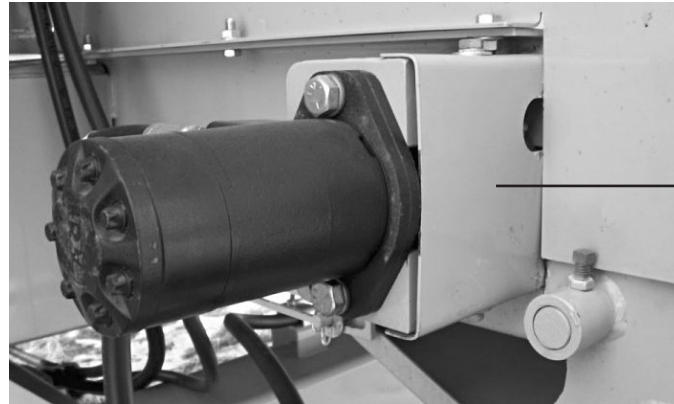


CAUTION! NO STEP! DO NOT STEP OR STAND AT THIS LOCATION



shield

figure 1.2
Orbit motor auger drive shield



shield

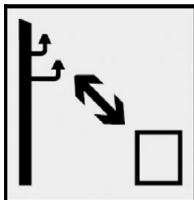
1.5 Safety review section

BEFORE OPERATING

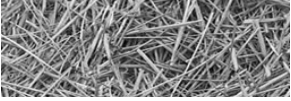
- **Read and follow all instructions contained in:**
 1. This CMF-700 operator's manual
 2. Tractor operator's manual
 3. Decals on the CMF-700



Note: Additional copies of the above mentioned materials can be obtained from your dealer.



Keep sufficient distance away from electrical power lines.
WARNING: Electrocution is possible when running this machine during an electric storm or heavy fog.



- Allow only responsible, properly instructed individuals to operate your machine. Provide proper training and carefully supervise inexperienced operators.
- Use a tractor which meets the tractor requirement contained within this manual. Additional weights may be necessary.
- Make sure all bystanders and other workers are clear before starting the tractor and CMF-700.
- Make no modifications to the machine unless specifically recommended or requested by DuraTech Industries.
- Check periodically for breaks or unusual wear and make any necessary repairs.
- Securely attach to towing unit. Use high strength, appropriately sized hitch pin with a mechanical retainer.
- If required install P.T.O. safety chain, check local regulations regarding safety chain requirements.
- Be sure that there are no tools lying on or in the CMF-700.
- Because it is possible that your CMF-700 may be used in dry areas or the presence of combustibles, special precautions should be taken to prevent fires and fire fighting equipment should be readily available.



NO SMOKING IN THIS AREA



DANGER! NO OPEN FLAMES IN THIS AREA

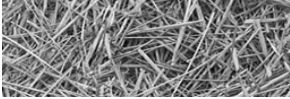
- Do not allow anyone to stand between the tongue or hitch and the towing vehicle when backing up to the CMF-700.

DURING OPERATION

- Be sure the tractor operator is the only person riding on the tractor.
- Never allow riders on the machine at any time.



- Keep all bystanders, pets and livestock clear of work area.
- Keep hands and clothing clear of moving parts.
- Never enter the CMF-700 while in operation. Rotating parts can entangle or strike people, resulting in personal injury or death.
- Operate the CMF-700 from the operator's seat only.
- Power takeoff shafts must be locked in place with protective P.T.O. shields in place.



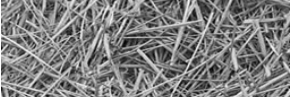
- Do not exceed load capacity of the CMF-700. **(See loading instructions in Section 3.7)**
- Do not clean, lubricate or adjust your CMF-700 while it is moving.
- Periodically clean the equipment to prevent buildup of dry combustible materials.
- Be especially observant of the operating area and terrain – watch for holes, rocks other hidden hazards. Always inspect the area prior to operation.
- Be extra careful when working on inclines.
- Pick the most level route possible when transporting across fields. Avoid the edges of ditches or gullies and steep hillsides.
- Never leave the CMF-700 running unattended.
- As a precaution, always check the hardware on the CMF-700 following every 100 hours of operation. Correct all problems. Follow the maintenance safety procedures.

DURING SERVICE & MAINTENANCE

- Before working on or near the CMF-700 for any reason, including servicing, cleaning, unplugging or inspecting machine, use normal shut down procedures unless instructed differently in this manual.
- Never work on or near the CMF-700 unless engine is shut off, and all power drives and PTO are disengaged. Always follow normal shutdown procedures.
- Check periodically and tighten any loose bolts or connections.
- Where replacement parts are necessary for periodic maintenance and servicing, genuine factory replacement parts must be used to restore your equipment to original specifications. DuraTech Industries will not claim responsibility for use of unapproved parts and/or accessories and other damages as a result of their use. If equipment has been altered in any way from its original design, DuraTech Industries does not accept any liability for injury or warranty.
- If it is necessary to operate the tractor engine indoors for more than a few seconds, be sure to provide enough ventilation to remove the tractor exhaust fumes.
- Hydraulic fluid escaping under pressure can be invisible and have enough force to penetrate the skin. When searching for a suspected leak, use a piece of wood or cardboard rather than your hands. If injured, seek medical attention immediately to prevent serious infection.
- Relieve all pressure in the hydraulic system before disconnecting the hose or performing other work on the system. Make sure all connections are tight and the hose is in good condition before applying pressure to the system.
- Replace all shields and guards after servicing and before moving.

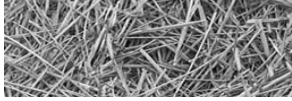


DO NOT PERFORM MAINTENANCE ON THE INTERIOR OF THE TUB DURING WET WEATHER CONDITIONS



1.6 Towing/road transport

- Use good judgment and drive slowly over rough or uneven terrain.
- Avoid loose fill, rocks and holes; they can be dangerous for equipment operation or movement. Allow for unit length when making turns.
- Be sure tractor brakes are properly adjusted and foot pedals are locked together.
- Check your state laws regarding the use of light, slow moving vehicle signs, safety chain and other possible requirements.

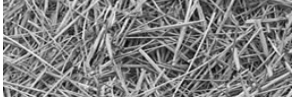


Section 2: Dealer Preparation

2.1 Pre-delivery inspection

Instructions: Before delivering the machine, check the following items carefully and make corrections when necessary. Place an “X” in the box after each item has been checked and found to be acceptable.

- Check machine for missing items or damage in transit.
- Check for loose bolts. Torque to 400-450 ft.-lbs (595-670 kg-m) dry and 360-405 ft.-lbs (536-603 kg-m) lubed.
- Check all hydraulic components for leaks or damage.
- Check lug bolts for tightness.
- Check tires for proper air pressure. Tire pressure should be 85 PSI (586 KPa) cold.
- Check condition of tire rims
- Check machine for proper lubrication.
- Check all shields for proper installation and condition.
- Check condition of all decals.
- Check all phases of operation.
- Check gearbox oil levels.



Section 3: Operation

To insure long life and economical operation, we highly recommend the operator of the CMF-700 be thoroughly instructed in the maintenance and operation of the machine. There is no substitute for a sound preventative maintenance program and well trained operator.

Prior to starting the engine of the tractor, we recommend the operator make a visual inspection of the unit. This can be done as the lubrication is being carried out. Any items that are worn, broken, missing or needing adjustment must be serviced accordingly before operating the CMF-700.

General Operating Conditions

Operating Temperature

- This equipment will operate correctly in its intended ambient, at a minimum between +5°C and +40°C.

Relative Humidity

- The equipment will operate correctly within an environment at 50% RH, +40°C. Higher RH may be allowed at lower temperatures.
- Measures shall be taken by the Purchaser to avoid the harmful effects of occasional condensation.

Altitude

- This equipment will operate correctly up to 1000m above mean sea level.

Transportation and Storage

- This equipment will withstand, or has been protected against, transportation and storage temperatures of -25°C to +55°C and for short periods up to +70°C.
- It has been packaged to prevent damage from the effects of normal humidity, vibration and shock.



3.1 Pre-starting inspection instructions



WARNING: Before inspecting the machine, use the normal shut-down procedure in Section 3.11.

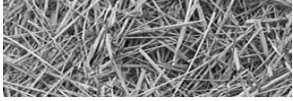
Check the following:

- Hydraulic components for leaks or damage.



Warning: Hydraulic fluid escaping under pressure can be almost invisible and can have sufficient force to penetrate the skin. When searching for suspected leaks, use a piece of wood or cardboard rather than your hands. If injured, seek medical attention immediately to prevent serious infection or reaction.

- Check for loose bolts, worn or broken parts.
- Lug nuts for tightness. Torque to 400-450 ft.-lbs (595-670 kg-m) dry and 360-405 ft.-lbs (536-603 kg-m) lubed.
- Condition of tire rims.
- Tires for proper air pressure. Tire pressure should be 85 PSI (6 bar) cold.
- Installation and condition of shields.
- Installations of slow moving vehicle (SMV) sign if required.
- Condition of decals.
- Gearbox oil levels.



3.2 Setup and Adjustments

3.2.1 Hitch Adjustments

The hitch is adjustable so that the machine is parallel to the ground when attached to the tractor drawbar. This is accomplished by removing the two mounting bolts and reinstalling them with the hitch at the proper height. The distance from the end of the P.T.O. shaft on the tractor to the center of the drawbar hitch pin hole should be 20" (51 cm), and the height from the top of the drawbar to the centerline of the P.T.O, should be 8" (20 cm).

figure 3.1
Hitch adjustments



The hitch pin should be of proper diameter to prevent movement and length to extend through all components of the hitch. The pin should be secured with a hairpin clip or suitable device to prevent the loss of the pin.

3.2.2 Jack

An adjustable jack is provided with the machine to support the hitch when the machine is disconnected from the tractor. The jack must only be used on firm, level ground or similar base to prevent it from sinking.

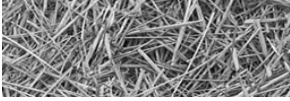


Warning: Never unhook the CMF-700 with material in tub.

When unhooking the machine remove the jack pin and move the jack from the storage location to the hitch position and reinstall the pin. Crank the jack until the hitch is no longer supported by the drawbar of the tractor. The hitch pin now can be removed.



Warning: Never use the jack without reinstalling the jack pin.



When hooking up the machine, install a proper hitch pin and secure it with a hairpin clip or comparable device, crank the jack until the foot of the jack is fully raised. Remove the jack pin and relocate the jack to the storage location. Reinstall the jack pin.

3.2.3 P.T.O. Shield



Warning: Before lifting the P.T.O. shield be sure to follow the normal shut down procedure. Be certain that the tractor is shut off and all rotating components of the machine have come to a complete stop before lifting shield. Loose clothing is discouraged, and long hair should be restrained whenever working on P.T.O. shafts.

To raise the P.T.O. shield, remove the bolts from the front of the shield and lift the shield. If it does not pivot freely look for build up of debris or other obstructions at the pivot point. Do not force the shield, as damage to the shield may occur.

figure 3.2
Raising the P.T.O.
shield



CAUTION! NO STEP! DO NOT STEP OR STAND AT THIS LOCATION



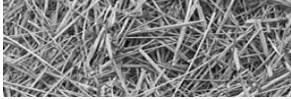
PTO shield bolt

3.2.4 Hydraulic Cylinder and Valve

All cylinder and valve hose connections should be tight and leak free. If the area near a hose connection becomes oily or dirty, repairs should be made to seal the leak. Hoses should be free of cracks or cuts to ensure safe operation. Cylinder seal kits are available from your dealer to repair a leaky cylinder. Pin connections should be free of excessive wear. If pins become worn they should be replaced. Also check yokes and mounts for cracks and wear.



Warning: Hydraulic fluid escaping under pressure can be almost invisible and can have sufficient force to penetrate the skin. When searching for suspected leaks, use a piece of cardboard or wood rather than your hands. If injured seek qualified medical attention immediately to prevent serious infection or reaction.



3.2.5 Tires and Rims

Tires should be inflated to 85 PSI (586 KPa) cold and should be free of cuts or cracks. There should also be adequate tread and no visible cords, wires or tread separation. Tires must also be of proper load rating, speed rating and size.

Rims must be free of cracks and rust pitting. Lug bolts must also be tight. Inspect the area around the lug bolts. Lug nuts need to be torqued to 400-450 ft.-lbs (595-670 kg-m) dry and 360-405 ft.-lbs (536-603 kg-m) lubed. If rust develops this is a sign of loose lug bolts. Check wheel bearings and seals, replace and grease as use requires.

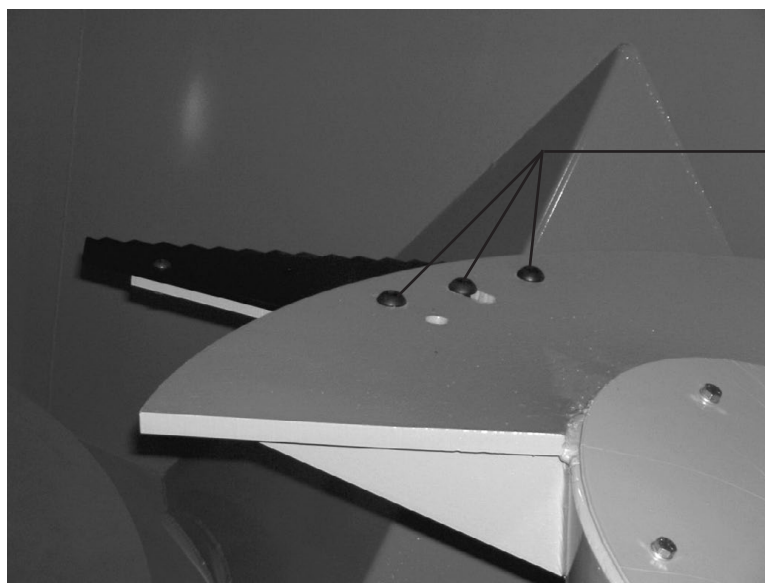
3.2.6 Knives

Your new CMF is setup with seven knives on each auger, the top two knives in each auger have two positions, in or out. When processing tough hay the knives should be in the out position to better attack the long stem hay. Having the knives in the out position increases the horsepower requirements. Alternatively, knives can be removed if the ration does not require much processing and/or over-processing is a possibility. Ingredient condition and rations will determine the optimum layout.

figure 3.3
Knife position
adjustments,
knives in the 'outside'
position



**DANGER! KEEP HANDS AWAY
FROM CUTTING PARTS**



knife position
adjustment bolts

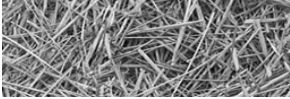
3.2.7 Vertical knives

The purpose of the vertical knives is to create restriction to the flow of material around the tub and provide a shear point for the auger knives. The further into the tub the vertical knives are set the shorter the final stem length will be. The vertical knives also can affect the horsepower demand, which may be important depending on tractor size. Start using your CMF with the knives at neutral or one hole in and adjust as necessary.

vertical knife adjuster



figure 3.4
Vertical knife
adjustments, shown
with knife in the fully
engaged position



3.2.8 Free motion automatic clutch

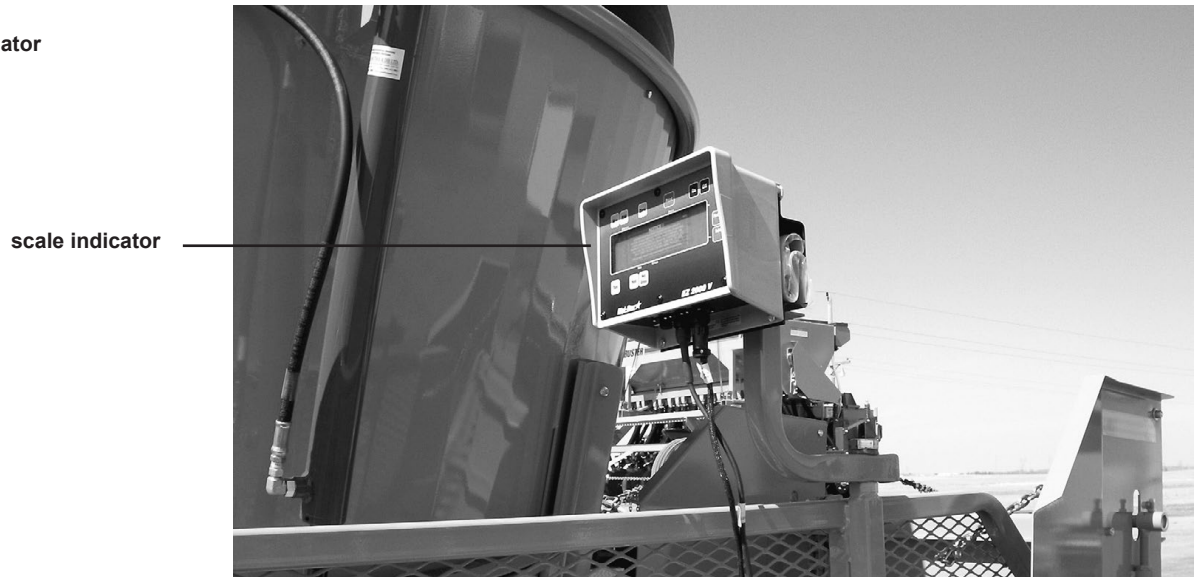
Torque protection is built into the PTO driveline with two free motion automatic clutches. These clutches are located on each driveline immediately before each gearbox. When overload occurs the clutch disengages and does not reengage until the driveline speed is reduced to near zero. The clutch makes a loud click when it disengages.



3.2.9 Scale Indicator

The indicator for the four-point scale should be mounted on the indicator mount located on top of the main conveyor. The mount can be mounted in the left or right side of the conveyor. The indicator is powered by a 12 volt battery located under the tub on the left side of the frame. **SEE OPERATOR'S MANUAL FOR THE DIGISTAR EZ-2000 SCALE INDICATOR FOR OPERATING INSTRUCTIONS.**

figure 3.5
EZ-2000 scale indicator

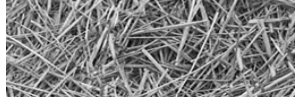


3.2.10 Two-Speed Gearbox (Option)

The two-speed gearbox is available on the CMF-700 for operators who want more control of their mixing speeds, want to reduce overall horsepower requirements, or prefer to turn off mixer while transporting a loaded mixer. The two-speed gearbox has two speeds, low and high. Pictures in **Section 6.5**, show lever in two positions in both gear selections.

3.2.11 Extension Conveyor Spouts (Option)

Spouts are available with or without magnets. Spouts are adjustable in three hole positions on sides. Point spout down further when running the conveyor extensions at higher angles to avoid material build up on the end of the conveyor. When running conveyor at lower angles, direct spouts so that the magnets are positioned further into the flow of material. Pictures of available spouts can be found in **Sections 6.2 and 6.3**.



3.3 Hitching the CMF-700



Warning: Do not operate the CMF-700 unless the tractor complies with the following requirements:

- Tractor has a minimum of 135 horsepower. (without two-speed option)
- Tractor has rollover protective structure and seatbelts.
- Tractor's hydraulic system has at least (2) two-way valves, and a minimum flow of 8 GPM @ 1500 psi.
- To assure adequate braking and steering control while in transport, the tractor must have a weight greater than or equal to $\frac{2}{3}$ weight of the CMF-700 and any mix it will transport at speeds more than 10 MPH (16 kph). ((Max CMF 17,900 lbs. + max load 21,500 lbs) x (0.67) = 26,398 lbs.) ((Max CMF 8,119 kg + max load 9,752 kg) x (0.67) = 11,974 kg)
- 1000 rpm P.T.O.

To hitch the CMF-700 to the tractor, perform the following steps:

1. Adjust the tractor drawbar so that the distance from the end of the P.T.O. shaft on the tractor to the center of the drawbar hitch pin hole should be 20" (51 cm) when using a 1-3/4", 20 splined P.T.O. When using a 1-3/8", 21 splined P.T.O., the draw hitch pin hole should be 16" (41 cm) and the height for the top of the centerline of the P.T.O. should be 8" (20 cm). Refer to figures 3.6.1 and 3.6.2

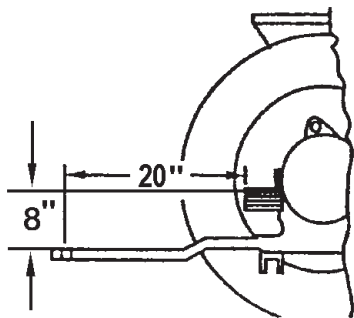


figure 3.6.1
Safe P.T.O. distance
1-3/4", 20 splined P.T.O.

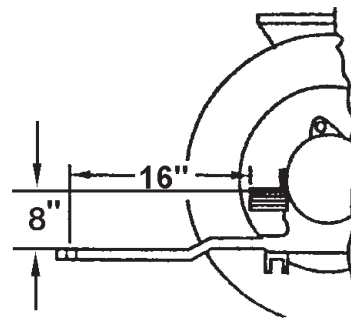
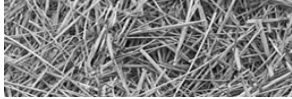


figure 3.6.2
Safe P.T.O. distance
1-3/8", 21 splined P.T.O.

- 2a. Hitch the CMF-700 to the tractor drawbar. Adjust the hitch so the machine is parallel with the ground.
- 2b. If the CMF-700 is equipped with a two-speed gearbox, adjust the hitch to minimize the P.T.O. shaft angle.
3. The hitch pin should be sized to prevent excessive movement, and should extend through all components of the hitch. The pin should be secured with a hairpin clip or suitable device to prevent the loss of the pin.
4. Raise the jack. Pull the lock pin and store in transport position.
5. Attach the P.T.O. shaft to the tractor P.T.O. shaft. Depress coupling and slide the coupling onto the splined shaft. Make sure the spring loaded safety catch is properly seated.



6. This machine is set up to operate on 1000 rpm only!
7. If required, install the safety chain. Check local regulations regarding safety chain requirements. Refer to figure 3.7

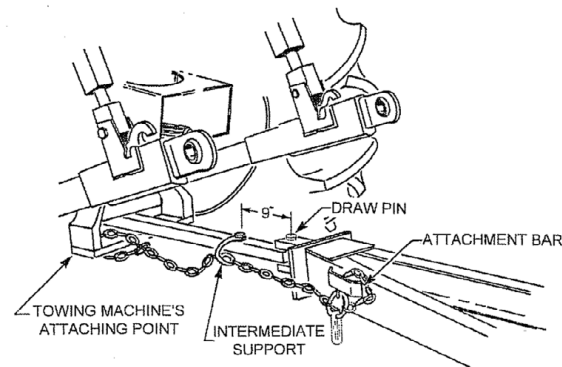


figure 3.7
Safety chain installation

8. Connect the two hydraulic hoses from the hydraulic door cylinder to one set of hydraulic couplers on the tractor. Connect the two hydraulic hoses from the discharge conveyor to the second set of hydraulic couplers on the tractor. Connect the two hydraulic hoses from the extension conveyor to the third set of hydraulic couplers on the tractor.
9. If equipped with a rear door and/or second extension conveyor, connect the two hydraulic hoses from each to the fourth and/or fifth hydraulic couplers on the tractor.

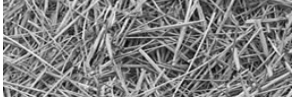
3.4 Unhitching the CMF-700

To unhitch the CMF-700, perform the following steps:



Warning: Never unhook the CMF-700 with material in tub.

1. Follow normal shut-down procedure.
2. Lower jack and secure. Raise the tongue off the tractor draw bar.
3. Place wheel chocks under wheels to keep from rolling.
4. Detach the P.T.O. shaft from the tractor.
5. Cycle the hydraulic control levers to release any pressure in the hydraulic hoses.
6. Detach the hydraulic hoses.
7. Remove the safety chain, if installed.
8. Remove the hitch pin.



3.5 Operation precautions and instructions

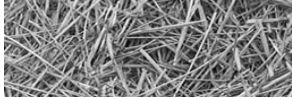
- Make sure there are no bystanders in the way.
- Before loading, run the mixer empty and check all operations.
- Do not overload the mixer. Maximum load is 21,500 lbs. (9,752 kg) Maximum load is determined by weight, not volume.
- Be sure all shields are in place before operation.
- Use common sense when operating.
- Never attempt to climb on the CMF while the tractor is running.

3.6 Starting the machine

1. Park machine on a hard level surface keeping the driveline as straight as possible.
2. Close the mixer door.
3. If the scale indicator is not at zero, re-zero indicator per the scale indicator manufacturer's instructions.
4. If equipped with two-speed gearbox option, select mixing gear desired.
5. Engage the tractor PTO and increase engine RPM to desired mixing speed.

3.7 Loading and processing

1. Load baled products and materials that require processing first. The center core of round bales will be the toughest to process. Allow enough processing time to adequately process roughage.
2. Set vertical knives per adjustment section.
3. Do not over process as processing continues through the mixing stage.
4. Load silage and/or other high moisture products next.
5. Load dry ingredients.
6. Load liquid supplements last.
7. Allow three to four minutes of mixing time after last ingredient.
8. ALL PROCESSING AND MIXING TIMES WILL VARY.
9. Do not overload the CMF, maximum capacity is 21,500 lbs. (9,752 kg) Maximum load is determined by weight, not volume.



3.8 Unloading

To unload the CMF-700, perform the following steps:

1. If possible, move the mixer to the unloading site while finishing the mixing stage to avoid the need for loaded PTO start-up.
2. Align CMF with bunk and lower the conveyor extension to desired angle (if equipped).
3. Engage the chain conveyor; chain speed is controlled using the auxiliary valve flow control on the tractor.
4. If the augers are not already engaged, engage the PTO.
5. Open the tub door and proceed along the bunk. Engine speeds around 1500 rpm are usually adequate when the tub is full, however engine should be run at rated speed to clean out the tub and provide even feed flow when the tub is near empty. If equipped with two-speed gearbox, turn off mixer and shift to high speed and re-engage to achieve maximum clean out RPM. Most new tractors have P.T.O. brakes which will require the tractor to be turned off before the two- speed can be shifted.

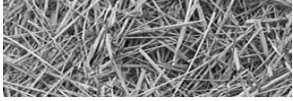
3.9 Storing the CMF-700 mixer/feeder



Warning: When preparing machine for storage, use normal shut-down procedure.

To prepare the CMF-700 for storage, perform the following steps:

1. Clean all mud, dirt, grease and other foreign material from the exterior and interior of the machine. Wash the complete machine. To inhibit rusting repaint places where bare metal is exposed.
2. Place the jackstand in the down and in locked position. Place wheel chocks under wheels if needed to keep machine from rolling. If possible, store the machine in a dry, protected place. (If it is necessary to store the machine outside, cover it with waterproof canvas, plastic, or other suitable protective material.)
3. Coat exposed lift cylinder rods with grease. Oil chains on conveyors. Lubricate thoroughly according to lubrication instructions. Repack wheel bearings.
4. Check the machine for any worn or broken parts. By ordering parts now, you will avoid delays when it is time to remove the machine from storage. When ordering parts always specify machine serial number and the part number of the replacement part. Part numbers can be found in the parts section of this manual.



3.10 Removing the CMF-700 from storage

To remove the CMF-700 from storage, perform the following steps:

1. Remove all protective coverings.
2. Remove blockings from under the CMF-700. Check tire pressure.
3. Lubricate machine in accordance with lubrication instructions found in this manual.
4. Check the conveyor chain tension.
5. Check all hydraulic hoses for deterioration and, if necessary, replace. Tighten any loose bolts, nuts and hydraulic fittings.
6. Follow pre-starting inspection instructions.

3.11 Normal shut-down procedure



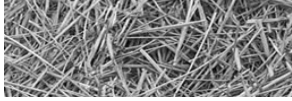
Warning: For your safety and the safety of others, you must use the following normal shut-down procedure before leaving the tractor controls unattended for any reason, including servicing, cleaning, or inspecting the CMF-700. A variation of the following procedure may be used if so instructed within this manual or your tractor manual or if an extreme emergency requires it.

1. Disengage P.T.O.
2. Place transmission in park or set park brake.
3. Shut off machine and remove key.
4. Wait for all movement to stop.
5. Engage tractor park brake, turnoff and remove key engine prior to entering the tub and/or making any adjustments to CMF.

3.12 Light Kit

figure 3.8
light kit for the CMF-700





Section 4: Lubrication

The operator should make a check of all grease fittings on the unit before beginning to operate it so as to become familiar with their location and correct service schedule.



Warning: Use normal shut-down procedure (Section 3.11) before lubricating the machine.

4.1 Lubrication

Use only a high quality, #2 multi-purpose grease when lubricating the unit. Make sure all fittings and the nozzle of the grease applicator are clean before applying the grease. If grease fittings are missing, replace them immediately.

Lubricate with grease every fifty (50) hours of operating time.

1. P.T.O. universal joints – 8 places
 - 1a. As many as seven (8) pumps of grease are required to purge all cross and bearing lube point with fresh grease.

2. Telescoping shafts – 2 places
 - 2a. Telescoping members require enough grease to maintain a smooth sliding action. When telescoping members become contaminated with dirty grease, they should be inspected and cleaned to insure smooth operation.

 - 2b. Shield components should be lubed and inspected to insure all components are in working condition or are replaced if damaged. A properly maintained shield will inhibit dirt from contaminating telescoping members.

3. P.T.O stand bearing – 1
4. Conveyor bearings - 2
5. Extension conveyor bearings – 2 each
6. Automatic clutches – Two places – 1 pump only. *Be careful **not** to over grease.*

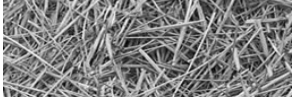
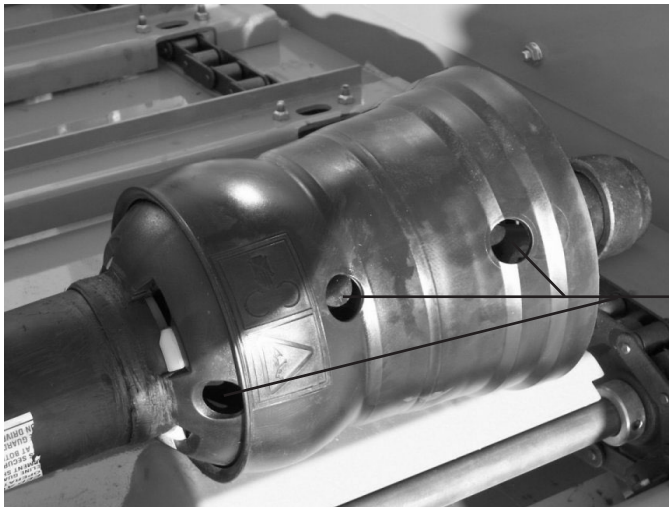


figure 4.1
P.T.O. Universal joint
(1 of 8)



**P.T.O. universal joint
lubrication zerk**

figure 4.2
P.T.O. Universal joint
(2, 3, & 4 of 8)



**P.T.O. universal joint
lubrication zerks**

figure 4.3
P.T.O. Universal joint
(5 of 8), and P.T.O stand
bearing (1 of 1)



**P.T.O. universal joint
lubrication zerk**

**P.T.O stand bearing
lubrication zerks**

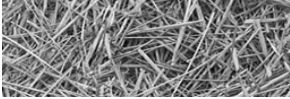


figure 4.4
P.T.O. Universal joint
(6 of 8), and automatic clutch

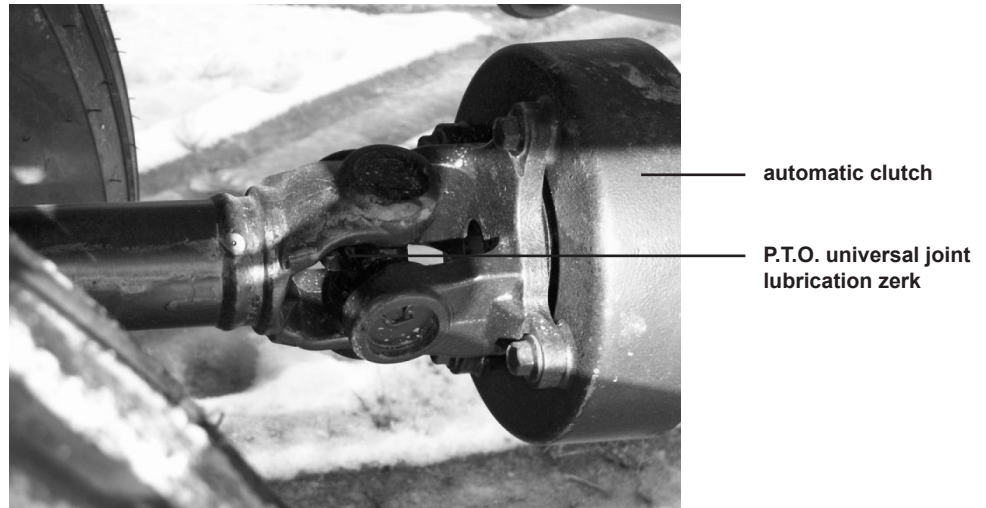


figure 4.5
P.T.O. Universal joint
(7 of 8)

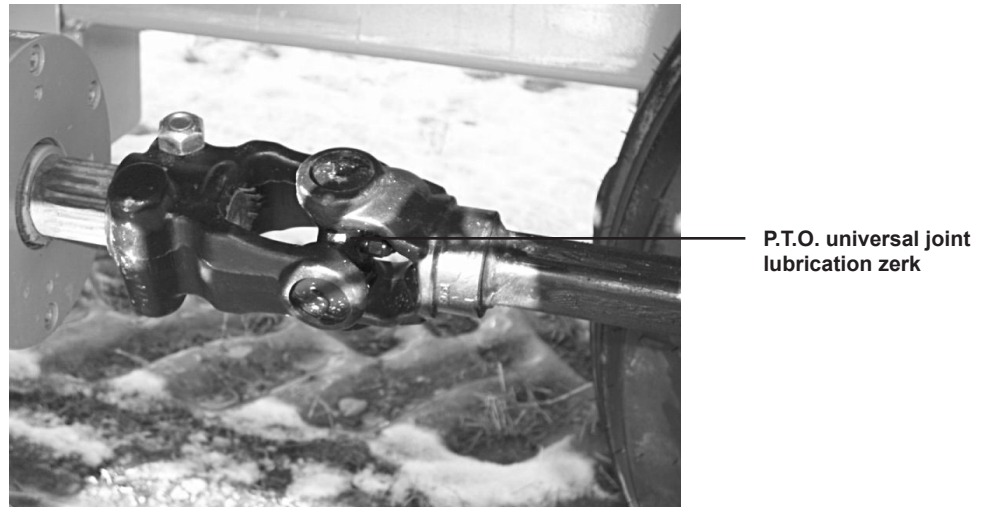
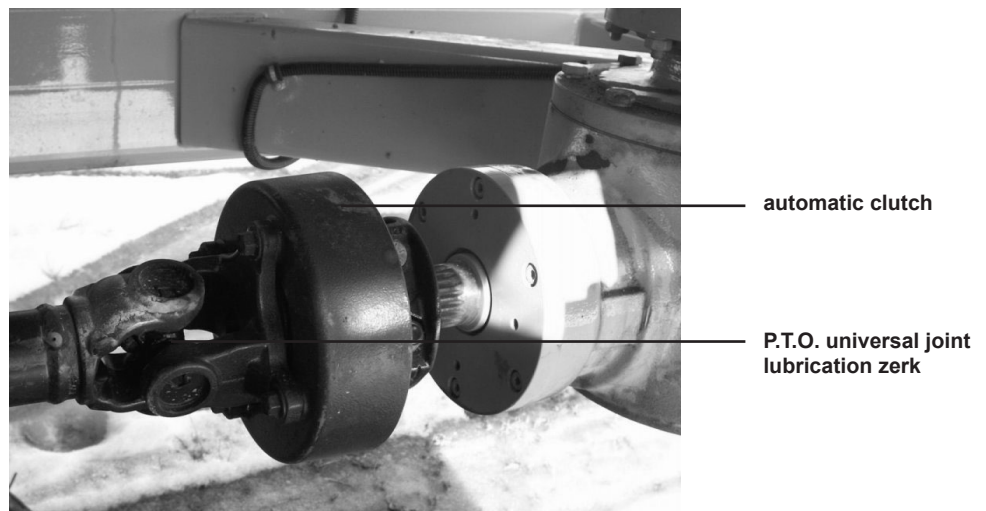


figure 4.6
P.T.O. Universal joint
(8 of 8), and automatic clutch



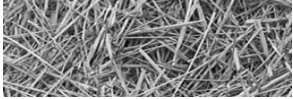
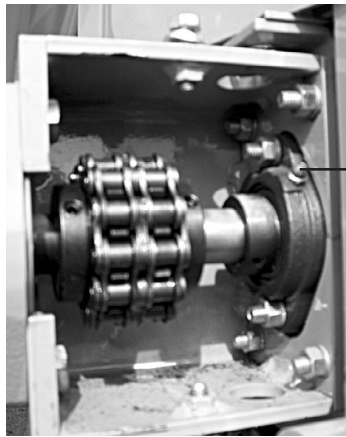
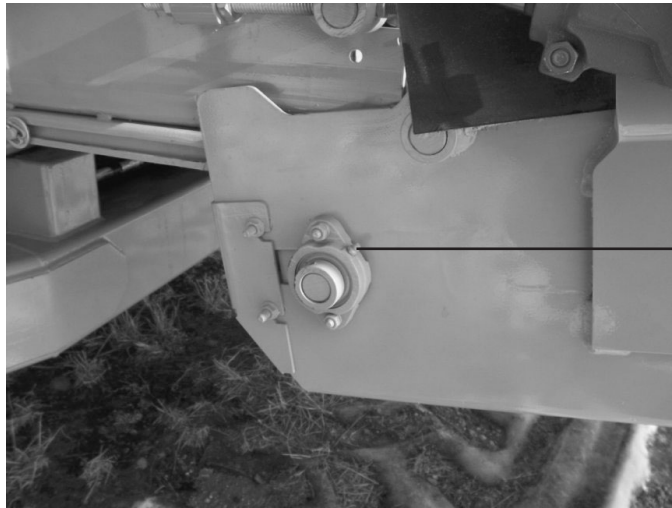


figure 4.7
Conveyor bearings
lubrication point (1 of 2)



conveyor bearings
lubrication zerk

figure 4.8
Extension conveyor bearings
lubrication point (1 of 4)

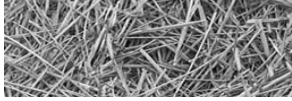


extension conveyor bearings
lubrication zerk

figure 4.9
Telescoping P.T.O. shaft



telescoping shaft



4.1 Lubrication cont.

Wheel bearings: repack annually

Gearbox: Grease 20-30 pumps every 250 hours (each gearbox), located on the bottom of the tub in front of the left tires.

Chains: Oil conveyor chains every 15 hours.

When to change oil in gearboxes:

- After the first 50-100 hours of operation, drain initial oil, preferably when box is warm. There after oil should be changed every 1500 hours or 12 months, whichever comes first. If machine usage is severe or more than 10 loads per day, it is advisable to change the oil every 1000 hours or 6 months. Inspect and wash oil reservoir breather cap as needed. Air dry before reinstalling. **Fill each gearbox with approximately 5 ½ gallons (21 L) of EP150 or 80w-90 GL-5 weight Gear Lube. RR-USA recommends using synthetic oil in their gearbox.** Monitor the oil level in the reservoir daily. Oil level should be in the middle of the sight gauge. The working temperature must not exceed (90 degrees C) 194 degrees F max. Proper lubrication is essential for efficient running and long life of the unit as a whole. It is also important to select the correct type of oil to ensure the long life of the gear reducer.



Do not dispose of gearbox oil in the municipal waste stream

Procedure for changing oil in gearboxes (see chart 4.1 on the following page):

1. Remove magnetic drain plug from the bottom of the right angle gearbox and clean the magnet if it has any metal on it. Return plug to the gearbox before filling.
2. Disconnect the lube lines from the top of the gearboxes at the tee fitting. Disconnect the other lube lines from the bottom of the gearboxes at the other tee.
3. To fill, connect (-8)3/4" MJIC fitting to hose connected to the right angle box and place overflow hose in a pan. Pump oil into the gearbox until it runs out of the overflow hose. Reconnect hoses to the correct tee fittings. Repeat for rear gearbox. The tee fitting to the right angle will need to be capped after the front gearbox is filled.
4. Fill reservoir and continue to monitor reservoir levels during operation so that oil remains half-way up in sight gauge or higher, allow for more expansion in warmer climates.
5. Two-speed gearbox should be half full of oil so that oil is present in sight gauge. Follow same maintenance schedule and use the same oils as recommended above for vertical gearboxes.
6. Any brand of 80w-90 gear oil with a GL-5 rating may also be used; **RR_USA recommends use of synthetic oils.**

Recommendation: Prior to starting each day it is advisable to check the oil level of gearboxes at the sight gauge.

Contact information for:

ConocoPhillips Lubricants: Telephone: 1-800-255-9556 (Technical Hotline)
Email: conocolubricants@conophillips.com

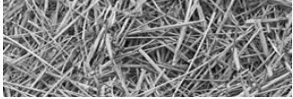
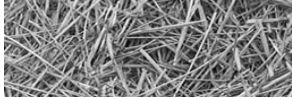


chart 4.1
lubrication chart for reduction gears

Ambient Temperature	-4 F - +41 F -20 C - +5 C	-41 F - +104F +5 C - +40 C	+86 F - +149 F +30 C - ++65 C	+104 F- +149 F +40 C - +65 C
Viscosity				
ISO VG	100	150	220	320
E/50 C	7.3	10.8 -12.5	15 -18	22 - 26
AGIP	BLASIA 100	BLASIA 150	BLASIA 220	BLASIA 320
BP-MACH	ENERGOL	ENERGOL	ENERGOL	ENERGOL
	GR-HP100	GR-HP150	GR-HP220	GR-HP320
CASTROL	ALPHA SP 100	ALPHA SP 150	ALPHA SP 220	ALPHA SP 320
CHEVRON	NL GEAR	NL GEAR	NL GEAR	NL GEAR
	COMPOUND	COMPOUND	COMPOUND	COMPOUND
	100	150	220	320
ELF	REDUCTELF SP 100	REDUCTELF SP 150	REDUCTELF SP 220	REDUCTELF SP 320
ESSO	SPARTAN EP 100	SPARTAN EP 150	SPARTAN EP 220	SPARTAN EP
				320
FINA	GIRAN 100	GIRAN 150	GIRAN 220	GIRAN 320
IP	MELLANA 100	MELLANA 150	MELLANA 220	MELLANA 320
MOBIL	----	MOBILGEAR 629	MOBILGEAR 630	MOBILGEAR 632
SHELL	OMALA EP 100	OMALA EP 150	OMALA EP 220	OMALA EP 320
TOTAL	CARTER EP 100	CARTER EP 150	CARTER EP 220	CARTER EP 320

4.2 General appearance

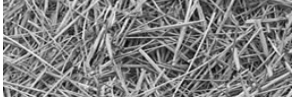
Clean all mud, dirt, grease and other foreign material from the exterior of the machine. Wash the entire machine. Repaint places where bare metal is exposed.



Section 5: Troubleshooting

chart 5.1
Troubleshooting chart

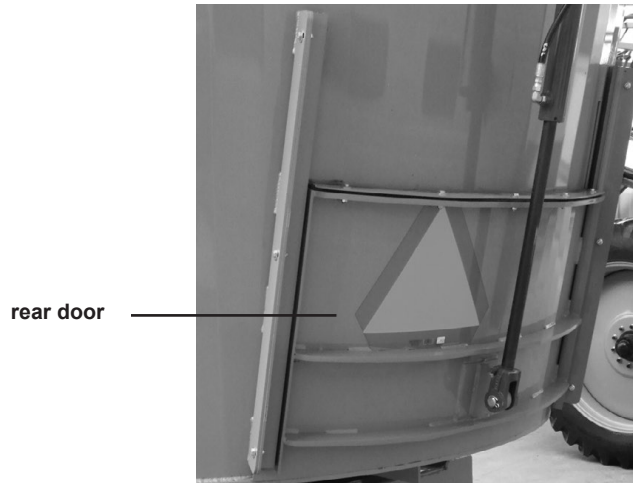
Problem	Cause	Remedy
1. Spillage over tub	1. Vertical knives are in too far.	1. Pull knives out one notch at a time until material stops spilling.
	2. Auger speed is too fast.	2. Slow engine speed
	3. Tub is overfilled	3. Wait longer while processing first bale, before adding more hay or other ingredients. Allow more time to process bulky materials. 4. Park on level ground.
2. Augers stopped turning	1. Automatic clutch disengaged because of shock loading	1. Disengage tractor PTO. Wait till driveshaft stops and reengage PTO. Clutch automatically reengages when driveline slows to near zero rpm. May need to shift gearbox to low.
	2. Verify two-speed is engaged	2. Check lever position on two-speed gearbox, Forward -high speed Middle -neutral Back -low speed
3. Conveyor does not move	1. Conveyor plugged	1. Look for obstruction
	2. Chains too tight	2. Reduce chain tension
	3. Hoses uncoupled.	3. Make sure hoses are coupled properly.
4. Conveyor plugged/spillage at transition to extension	1. Extension conveyor running at too steep of an incline	1. Run extension conveyor at lowest height possible to reach the necessary bunk height.
5. Ration over processed	1. Processing continues through mixing stage	1. Add secondary ingredients that don't require processing to the batch sooner.
	2. Too many knives	2. Take knives out.
	3. Vertical knives in too far	3. Pull vertical knives out further,
	4. Auger speed too fast	4. Reduce tractor engine rpm
6. Ration under processed	1. Not enough knives on the augers	1. Add knives
	2. Knives are dull	2. Replace knives
	3. Auger speed not fast enough	3. Increase auger speed, careful not to cause spillage.
	4. Vertical knives not in far enough	4. Push vertical knives in one notch.
7. Scale does not power up	1. Battery not charged	1. Charge the battery/replace if necessary.
	2. Loose battery connection	2. Tighten/clean connections at battery post.
	3. Battery power cable damaged	3. Repair/replace cable.
(Consult scale manufacturer's manual for all other information)	For 24 hour Tech service, Go to digi-star.com or call 1-800-225-7695	
8. Door is loose/does not seal	1. Door clamps out of adjustment	1. Readjust door clamps



Section 6: Options

6.1 Rear bay door

figure 6.1
Optional rear door



6.2 Magnetic extension spouts

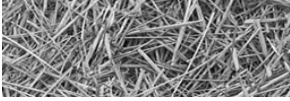
figure 6.2
Magnetic extension spout



6.3 Non-magnetic extension spout

figure 6.3
Non-magnetic extension spout





6.4 Two-Speed Gearbox

figure 6.4
Two speed gearbox in
low speed position

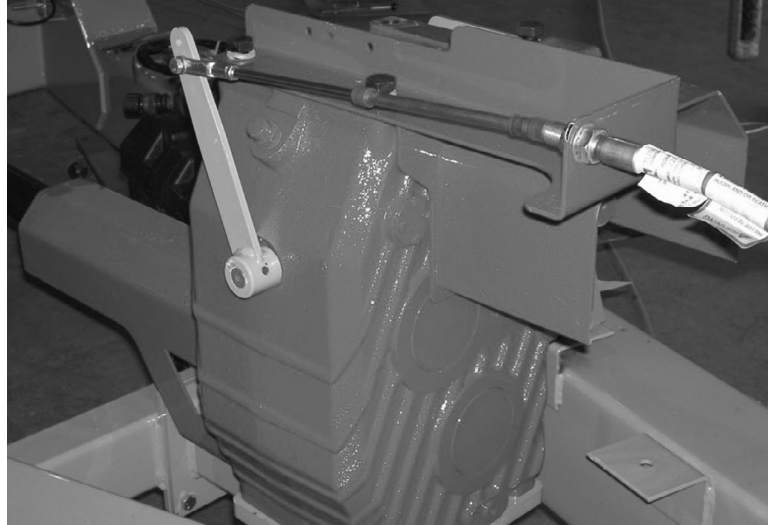
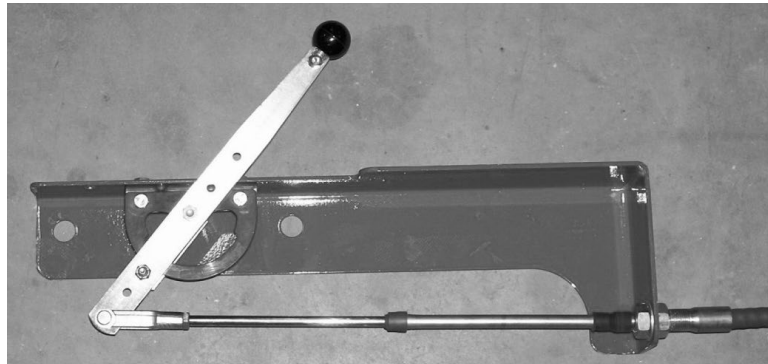


figure 6.5
Handle for two speed
gearbox in low position



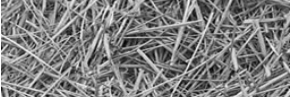


figure 6.6
Two speed gearbox in
high position

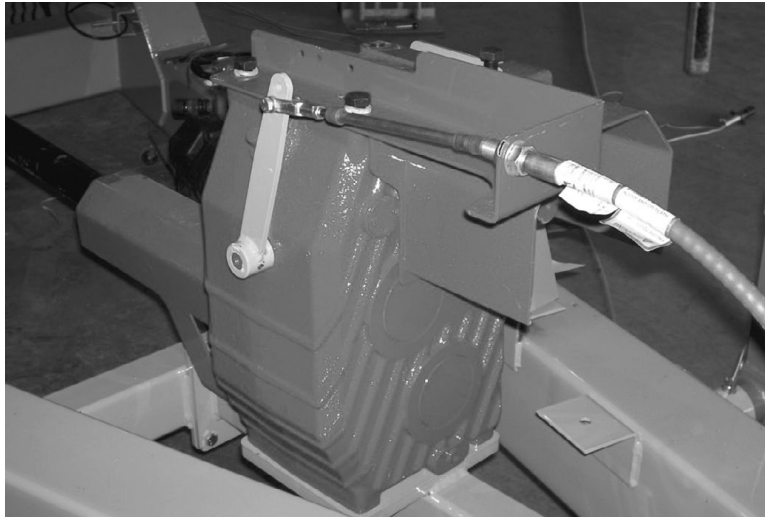


figure 6.7
Handle for two speed gearbox
in high position





Section 7: Maintenance

7.1 Welding Procedure

CMF-700 welding procedures for machines with a weight scale

Precautions are required for welding on machines with electronic components. Electronic components including but not limited to: electronic scales.

Proper welding procedures are necessary with in order to avoid damage to the components, their sensors, and associated components.

When possible, remove the parts to be welded from the machine.

If not possible to remove the parts, follow the following procedure:



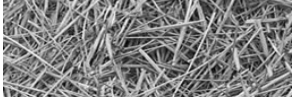
Note: Do not ground the welder to electrical components listed above, sensors, or wiring. Improper grounding can also damage bearings of hydraulic components. Clamp the ground cable from the welder to the part that will be welded. Place the clamp as close as possible to the weld. This will help reduce the possibility of damage.

1. Unhitch the CMF-700 from the tractor.
2. Disconnect the connectors from the electronic scale. Move the connectors to a position that will not allow the connectors to accidentally move back and make contact with any of the pins.
3. Connect the welding ground cable directly to the part that will be welded. Place the ground cable as close as possible to the weld in order to reduce the possibility of welding current damage to bearings, hydraulic components, and electrical components.



Note: If the electrical/electronic components are used as a ground for the welder, or electrical/electronic components are located between the welder ground and the weld, current flow from the welder could damage the components.

4. Protect the wiring harnesses and hydraulic lines from welding debris and spatter.
5. Use standard techniques to weld the materials.



Appendix A: Warranty

DuraTech Industries International Inc., warrants to the original purchaser for one year from purchase date that this product will be free from defects in material workmanship when used as intended and under normal maintenance and operating conditions. This warranty is limited to the replacement of any defective part or parts if DuraTech Industries is notified within thirty (30) days of failure.

This warranty shall become void if in DuraTech Industries International, Inc.'s, judgment the machine has been subject to misuse, negligence, alterations, damaged by accident or lack of required maintenance, or if the product has been used for a purpose for which it was not designed.

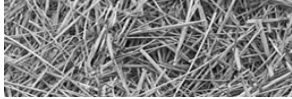
All claims for warranty must be made through the dealer which originally sold the product and all warranty adjustments must be made through same.

This warranty does not apply to tires or bearings or any other trade accessories not manufactured by DuraTech Industries International Inc.'s. Buyer must rely solely on the existing warranty, if any, of these respective manufactures.

DuraTech Industries International Inc., shall **not** be held liable for damages of any kind, direct, contingent, or consequential to property under this warranty. DuraTech Industries International Inc., cannot be held liable for any damages resulting from causes beyond its control. DuraTech Industries International Inc., shall **not** be held liable under this warranty for loss of crops, or rental costs or any expense or loss for labor or supplies.

DuraTech Industries International Inc., reserves the right to make changes in material and/or design of this product at any time without notice.

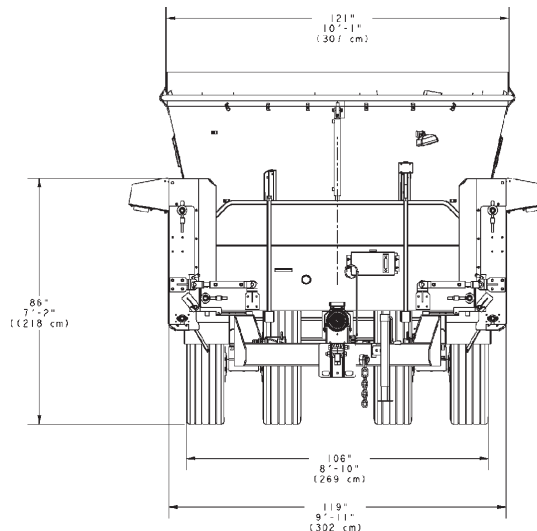
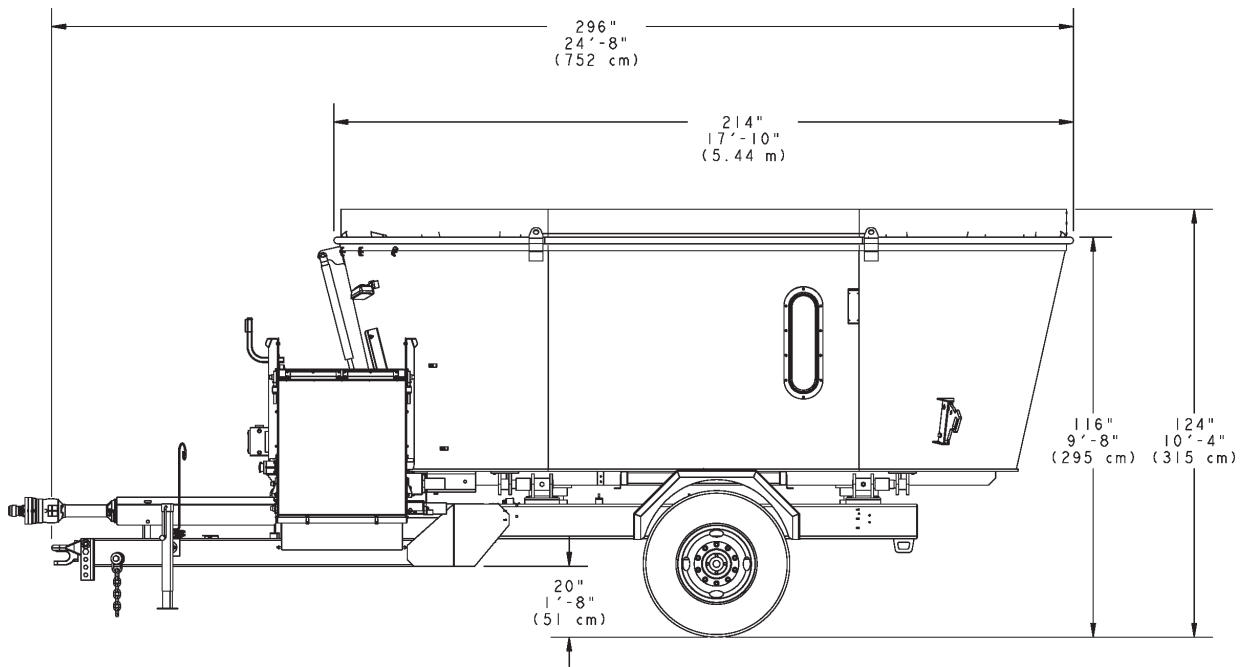
All other warranties made with respect to this product, either expressed or implied, are hereby disclaimed by DuraTech Industries International.

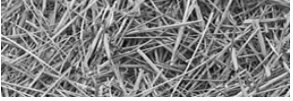


Appendix B: CMF-700 Specifications

General specifications

Max. Weight	17,000 LBS (7,711 kg)
Overall length, including trailer	296" (752 cm)
Overall width	121" (307 cm)
Tractor P.T.O speed ... (1-3/8" 21 spline)	1000
Minimum horsepower required	135
Mixing capacity, cu. ft.	705/830 (20/24 cu. m)
Max. Gross Weight	39,400 LBS (17,871 kg)
Tires – size	315/80R22.5 20 PLY
Loading height with extensions	124" (315 cm)
Loading height without extensions	116" (295 cm)



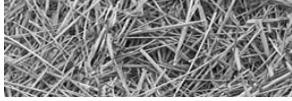


CMF-700 VERTICAL MIXER

S.N. 700HJ0002TRK AND UP

Truck Mount Supplement

Operating Instructions



CMF-700 Truck Mount Operators Manual Supplement

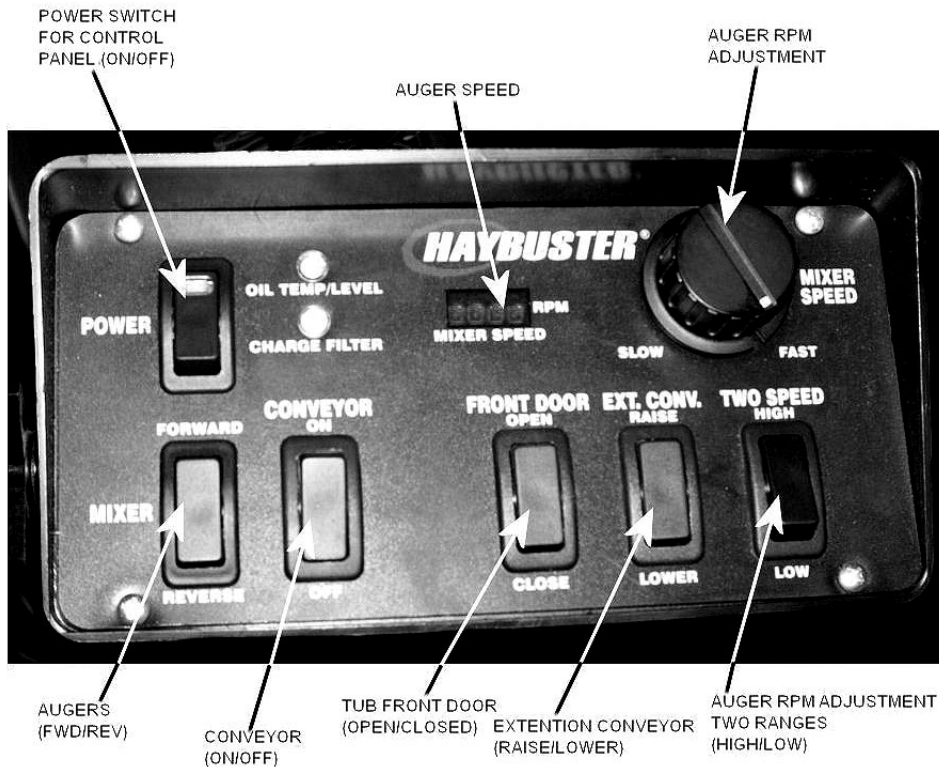
This is a supplement to the CMF-700 Operator Manual and Parts book. The main part of this book applies to this CMF-700 Truck Mount except where described in this attached supplement.

Before Starting the CMF-700 Truck Mount review all:

- Safety Recommendations - See **Section 1** of this operator's manual
- Pre-Operation – See **Section 3** of this operator's manual
- CMF-700 truck mount operators manual supplement



Supplement Section 1: Control Panel in truck cab



CONTROL PANEL

The control panel is located inside the truck cab. Controls on the control panel include; power switch for the control panel, auger speed display, auger rpm adjustment slow/fast,

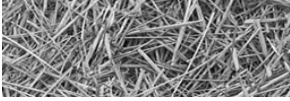
augers forward/reverse, conveyor on/off, tub front door open/closed, extension conveyor raise/lower, auger rpm adjustment high/low.

The **mixer forward/reverse** switch when in the forward position it stays on but when switched to reverse it is momentary so the switch needs to be held to make the augers run in reverse direction.

The **mixer rpm adjustment high/low** has two ranges. The high range is to be used for clean out only.

If either **oil temp/level** or **charge filter lights** are on, turn off the auger fwd/reverse button immediately.

- The controller will de-stroke the hydrostatic pumps until the fault is repaired



Supplement Section 2:

Loading and processing for the CMF TRUCK MOUNT

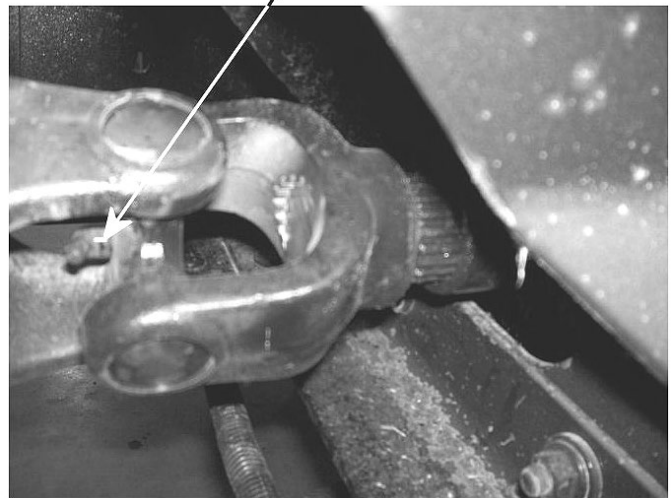
1. The truck engine should be running from **1,700 – 2,000 RPM**.
2. Two speed should be set to low (High is only for cleanout!)
3. Adjust mixer speed accordingly, 15-25 RPM depending on commodities and mixing time. Slower RPM speed reduces spillage and overprocessing. Higher RPM speeds processing time but increases the chances of spillage and overprocessing.
4. The baled products and materials that require processing first. The center core of round bales will be the toughest to process. Allow enough processing time to adequately process roughage.
5. Set vertical knives per adjustment section. (See section 3.2.7)
6. Do not over process as processing continues through the mixing stage.
7. Load silage and/or other high moisture products next.
8. Load dry ingredients.
9. Load liquid supplements last.
10. Allow three to four minutes of mixing time after the last ingredient.
11. ALL PROCESSING AND MIXINIG TIMES WILL VARY.
12. Do not overload the CMF, maximum capacity is 21,500 lbs (9,751 kg).

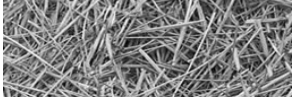
Supplement Section 3: Lubrication

Use only a high quality, #2 multi-grease when lubricating the unit. Make sure all fittings and the nozzle of the greaseapplicator are clean before applying the grease. If fittings are missing, replace them immediately. Lubricate with grease every fifty (50) hours of operating time.

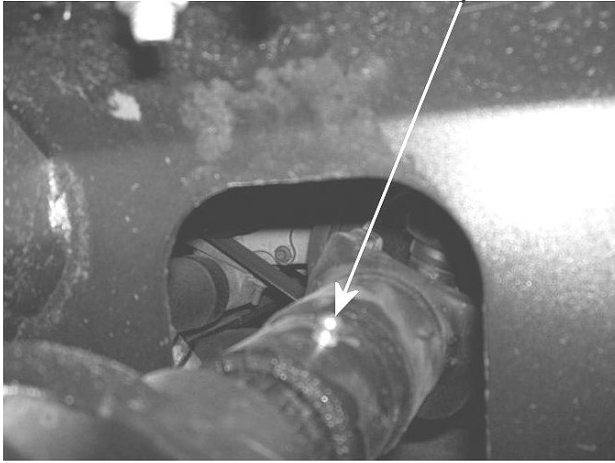
1. P.T.O. universal joints – (3) places
2. Conveyor bearings – (2)
3. Extension conveyor bearing – (2)
4. Extension conveyor pin (inside) – (2)

P.T.O. UNIVERSAL JOINT LUBRICATION ZERK

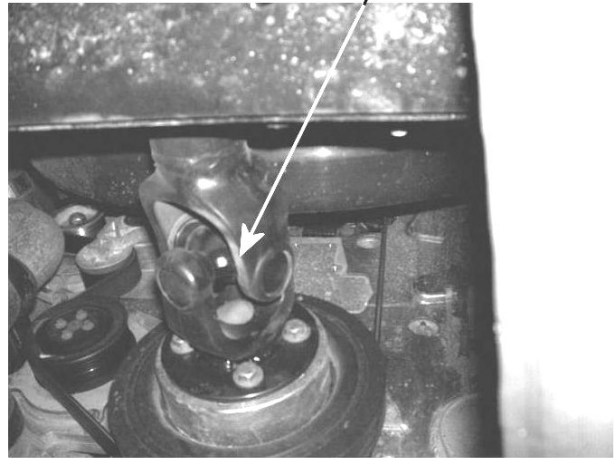




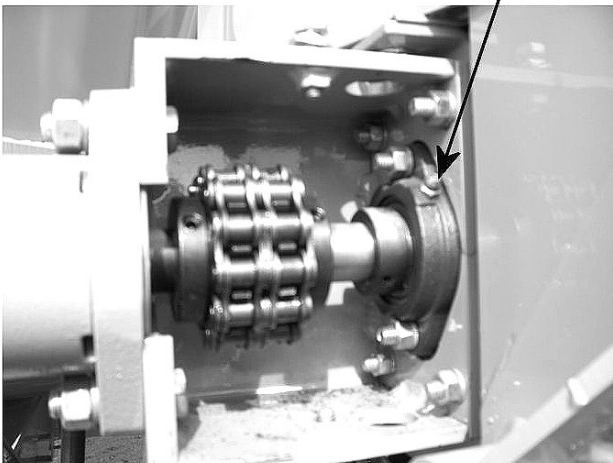
**P.T.O. LUBRICATION
ZERK**



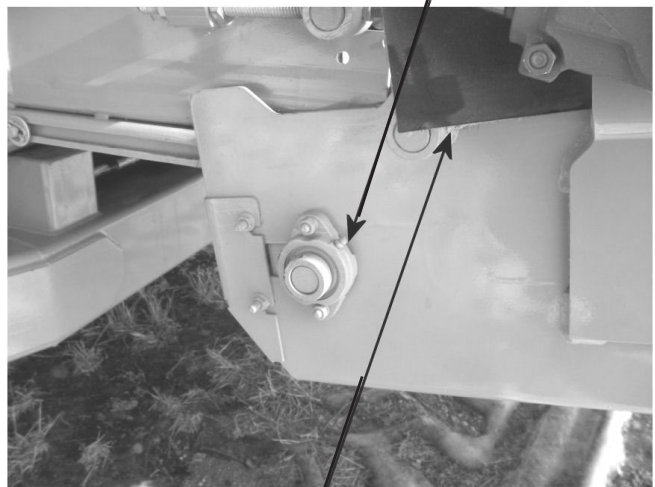
**P.T.O. UNIVERSAL JOINT
LUBRICATION ZERK**



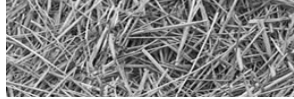
**CONVEYOR BEARING
LUBRICATION ZERK**



**EXTENSION CONVEYOR BEARING
LUBRICATION ZERK**



**EXTENSION CONVEYOR
PIN INSIDE**



Supplement Section 4: Hydraulic system and Hydrostatic pump filters



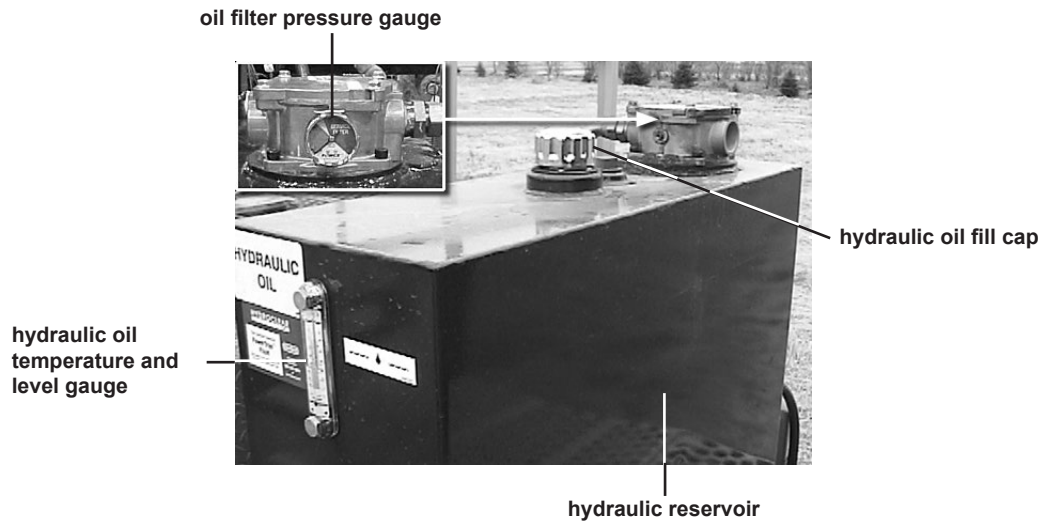
Caution: Lack of proper hydraulic oil level in the reservoir tank will cause system to heat under continuous running. Check the hydraulic oil level daily and replace as necessary.



Note: Keep hydraulic radiator clean!

Change hydraulic oil and filters every 1000 hours of operation. Change the in-tank oil filter if the oil filter pressure gauge indicates a plugged filter and change the charge pump filters if monitor in the cab of truck indicates it.

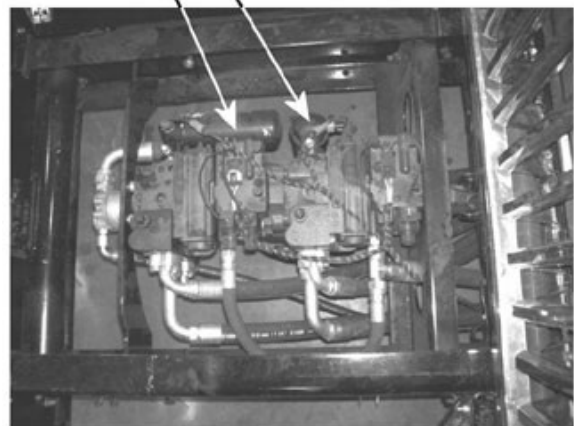
Check the hydraulic oil regularly, and if the oil has a burnt smell or milky appearance, change it immediately.



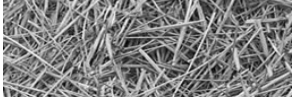
DuraTech Industries recommends using Cenex Qwicklift HTB if your machine has a Qwicklift decal on the hydraulic tank. Other acceptable fluids include Mobil 423, Farmland Super HTB, Conoco Hydroclear Power Tran Fluid or other similar fluids. If the hydraulic tank does not have this decal, then all of the above fluids are acceptable.



HYDROSTATIC CHARGE PUMP FILTERS



location of of hydrostatic charge pump filters

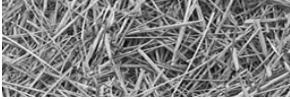


Supplement Section 5: Replacement Service parts

Replacement Service Parts for Eaton Tandem Hydrostatic Pump



Duratech Part #	Duratech Description	Eaton Part #
4200144	SEAL\KIT\PUMP\COMPLETE\HYDRO\CMF700_TRUCK	990710-000
4200145	SEAL\KIT\PUMP\SHAFT_ONLY\HYDRO\CMF700_TRCK	990709-000
4200146	VALVE\RELIEF\CHARGE\LOW\HYDRO\CMF_TRUCK	103072-035
4200147	VALVE\RELIEF\HIGH_PRESS\HYDRO\CMFTRUCK	110700-650
4200148	VALVE\PRESSURE\OVERRIDE\HYDRO\CMFTRUCKS	4994730-600
4200149	COIL\CNTRL\PUMP\ASSY\12VDC	114241-012
4200150	TUBE\COIL\CNTRL\PUMP\ASSY	111501-000
4400128	LTR\ELMT\HYD\PUMPS\CMF_TRUCK	104508-055



CMF-700 Truck Mount Specifications

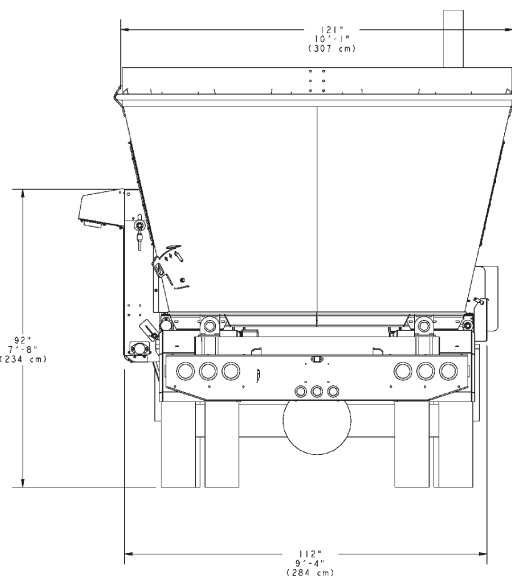
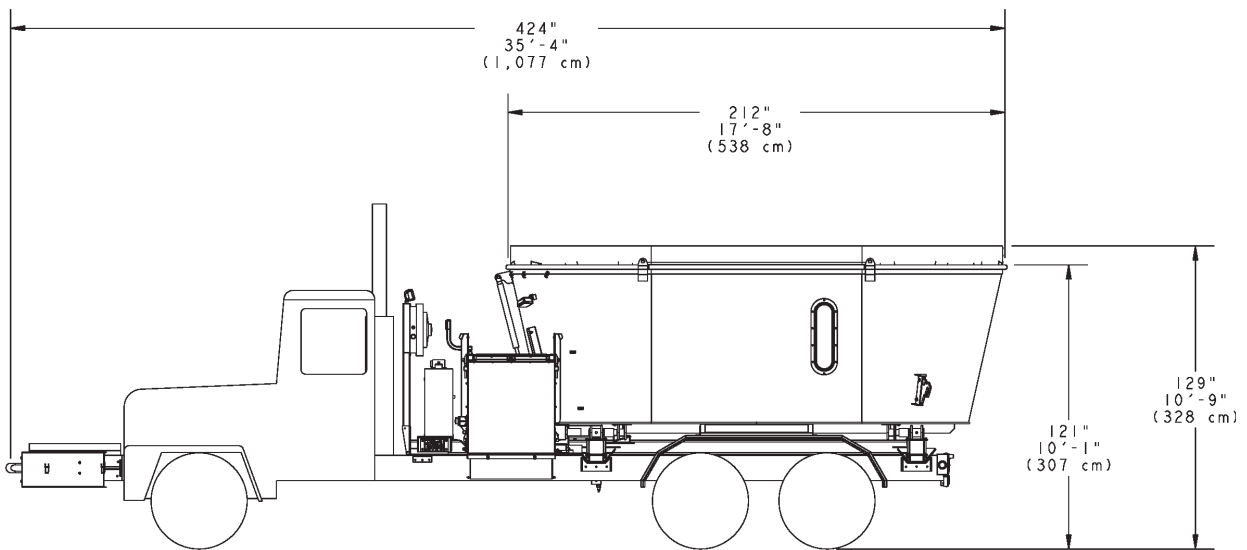
Overall length.....424” (1,077 cm)

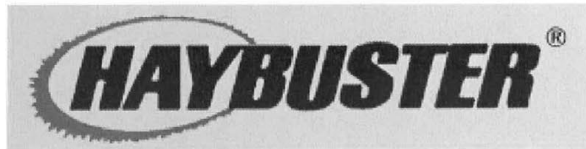
Overall width.....121” (307 cm)

Mixing capacity, cu. ft.....705/803 (20/24 cu. m)

Loading height with extensions.....129” (328 cm)

Loading height without extensions121” (307 cm)

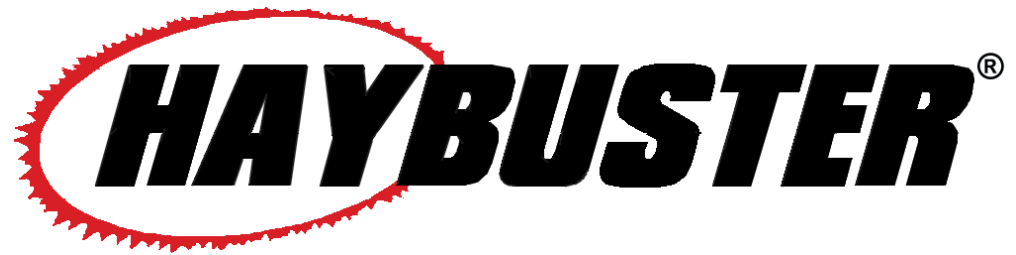




Sound Pressure Level and Sound Power Level Information

The Duratech Industries International, Incorporated Model CMF-700 Sound Pressure and Sound Power Levels per EN ISO 11202 are as follows:

Model No: CMF-700	Serial No: 7000100050	Year of Construction: 2011	
		Operating	Idle
L_{pAm} (Operator Position)		93 dB (A)	75 dB (A)
L_{pAm} (Bystander Position)		101 dB (A)	75 dB (A)
Peak C-weighted instantaneous SPL in the Operator's position L_{pcPeak}		98 dB (c)	---
Sound power emitted where the equivalent continuous A-weighted SPL exceeds 80 dB (A).		9.3 Bel	---
The average difference between the extraneous noise level and the sound intensity level at each measuring point is:		$L_{pAm} \Delta = 17 \text{ dB (A)}$	
Ambient Correction Factor K3A calculated according to EN ISO 11204 Appendix A.		4 dB(A)	
Measurements were made at a height of 1.5 m and 1 m from the Operator Position and all four sides of the equipment.			
<p>The figures quoted are emission levels and are not necessarily safe working levels. While there is a correlation between the emission and exposure levels this cannot be used reliably to determine whether or not further precautions are required.</p> <p>Factors that influence the actual level of exposure of the workforce include characteristics of the work room, the other sources of noise, etc. such as the number of machines and other adjacent processes. Also, the permissible level of exposure can vary from country to country.</p> <p>This information, however, will enable the user of the machine to make a better evaluation of the hazard and risk.</p>			
	Duratech International Industries, Incorporated 3780 Hwy 281 SE Jamestown, ND 58401 USA		



CMF-700TM

VERTICAL

MIXER

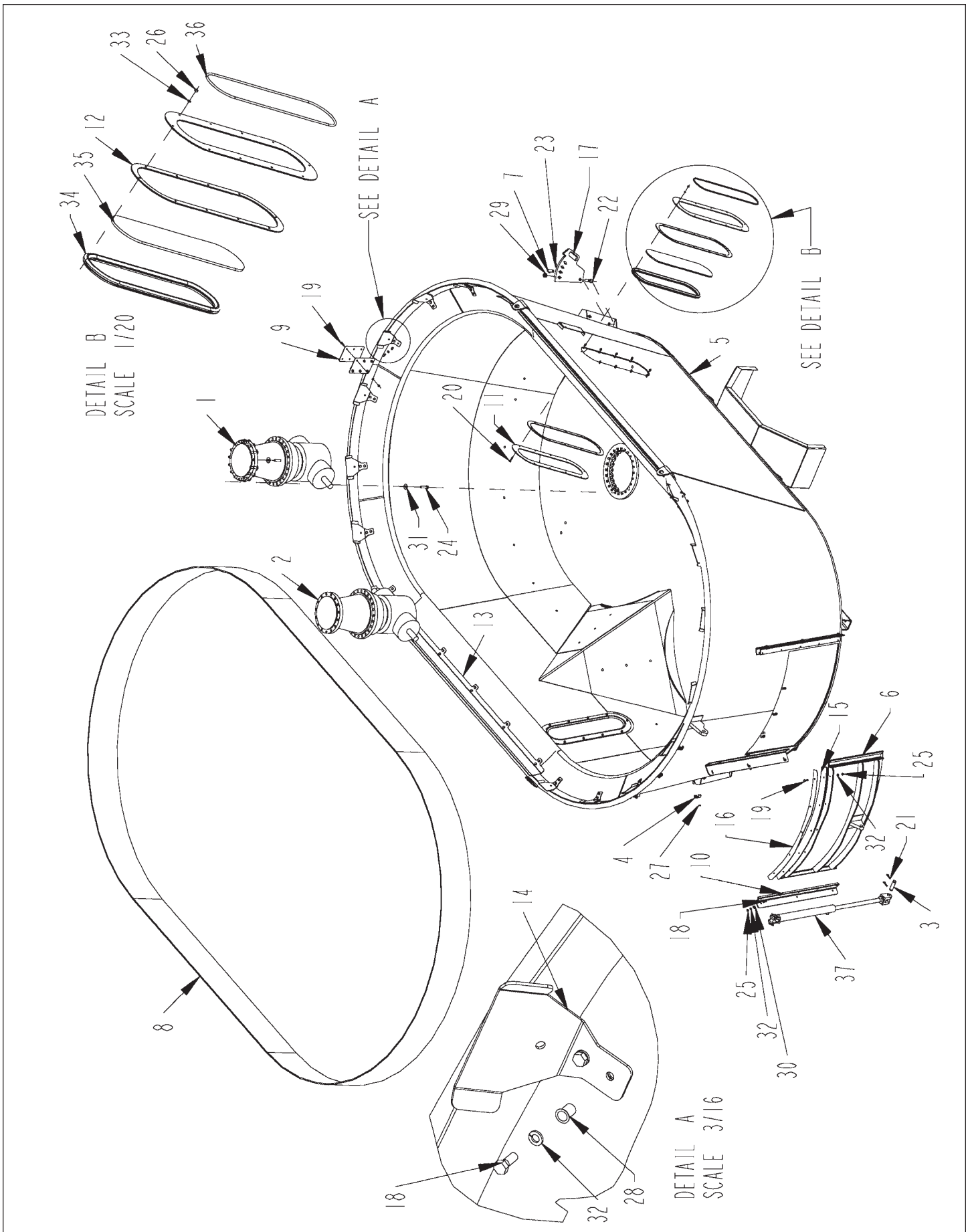
S.N. 700GJ0013 UP TO 700120077

Includes Truck Mount Supplement

Part 2:

Parts Reference

TUB ASSEMBLY (FOR S.N. GJ0013 TO GJ0027)



TUB ASSEMBLY (FOR S.N. GJ0013 TO GJ0027)

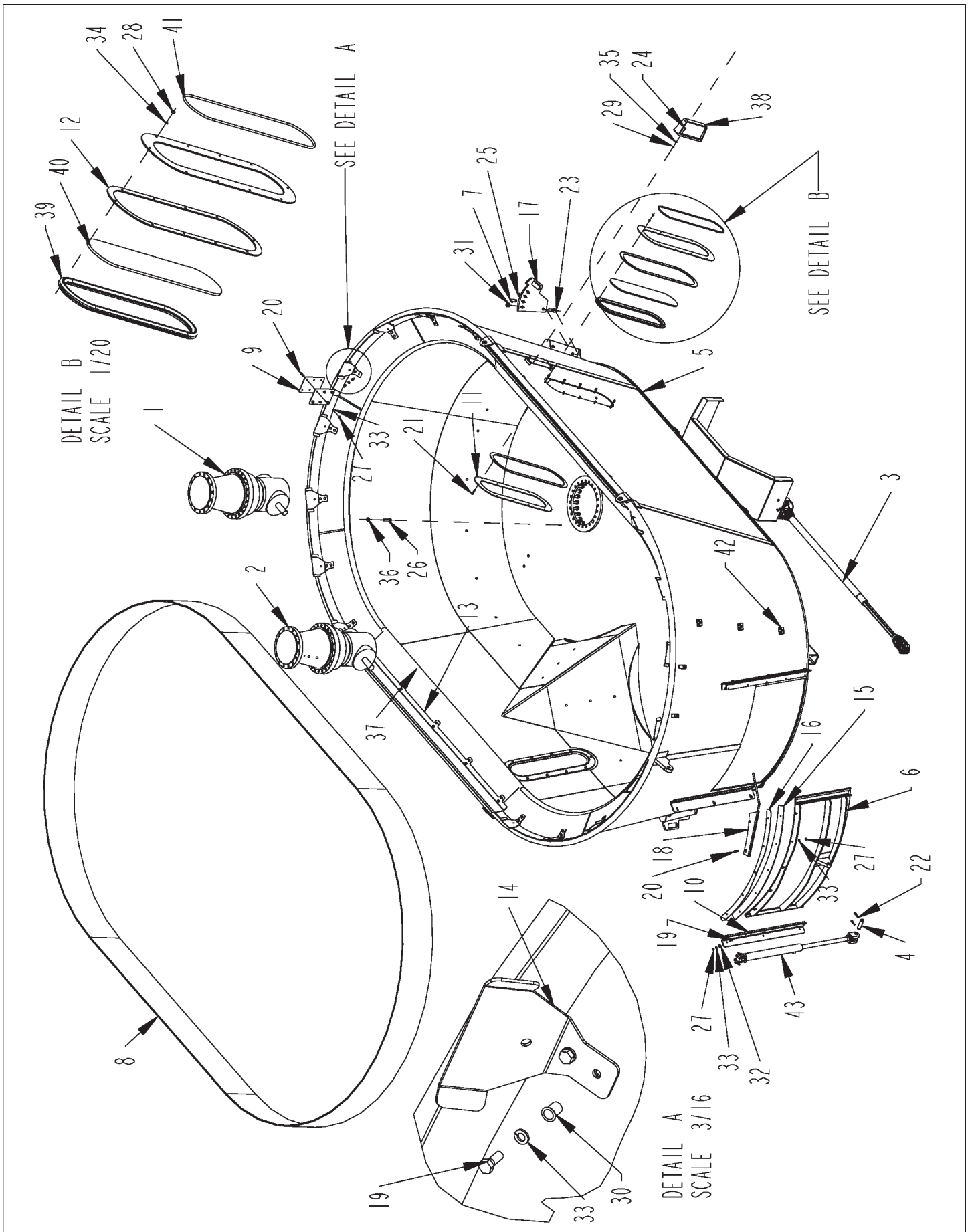
ITEM	PART	QTY.	PART DESCRIPTION
1	3100207	1	GRBX\PLANETARY\SNGL\1750
2	3100208	1	GRBX\PLANETARY\DBL\1750
3	4100030	2	PIN 1" X 3-1/2" HYD. CYL.
4	4700776	6	CLMP\HOSE\3/8
5	4704160	1	TUB\ASSY\CNVYR
6	4704161	1	DOOR\CNVYR\ASSY
7	4704181	2	PIN\LOCK\3/4X2-1/2
8	4704312	1	BELT\12"\EXT\TMR
9	4704340	2	PL\CLMP\EXT\TUB
10	4704359	2	BRKT\DOOR\ASSY
11	4704372	4	PL\COVER\WNDW\CMF
12	4704373	4	PL\SPACER\COVER\WNDW\CMF
13	4704536	2	CLAMP\SIDE\BELT\TUB
14	4704537	16	CLAMP\END\BELT\TUB
15	4704538	1	BELT\DOOR\CMF700
16	4704556	1	SHWIPER\DOOR\700
17	4704567	2	KNIFE\VERT
18	4800003	64	BOLT\HEX\3/8X1
19	4800034	11	BOLT\HEX\3/8X1-1/2
20	4800081	20	BOLT\HEX\5/16X1-1/2
21	4800107	4	PIN\HAIR\1/8(#9)
22	4800115	2	BOLT\HEX\3/4X2-1/2
23	4800456	2	PIN\RLLD\3/16X1-1/8
24	4800948	76	BOLT\HEX\M16XM60
25	4900002	17	NUT\HEX\3/8\NC
26	4900003	20	NUT\HEX\5/16\NC
27	4900076	6	NUT\FLG\SERR\3/8\NC
28	4900082	52	NUT\INSERT\3/8\027X.150GR
29	4900139	2	NUT\TPLCK\3/4\GR8\NC
30	5000001	6	WASH\FLAT\3/8
31	5000002	76	WASH\FLAT\5/8
32	5000019	69	WASH\LOCK\3/8
33	5000022	21	WASH\LOCK\5/16
34	7501138	2	WEATHERSTRIP\2PC\1/4X3/8X69
35	7501139	2	WNDW\POLYCARB\8X30X3/8
36	7501223	2	WITHRTRP\1/4X3/8\LOCK
37	4100241	1	CYL\HYD\2"X24"1-1/4"ROD

4704162 TUB\ASSY\CNVYR

NOT SHOWN

3600551 PTO\242-23429\35E\W\CLTCH

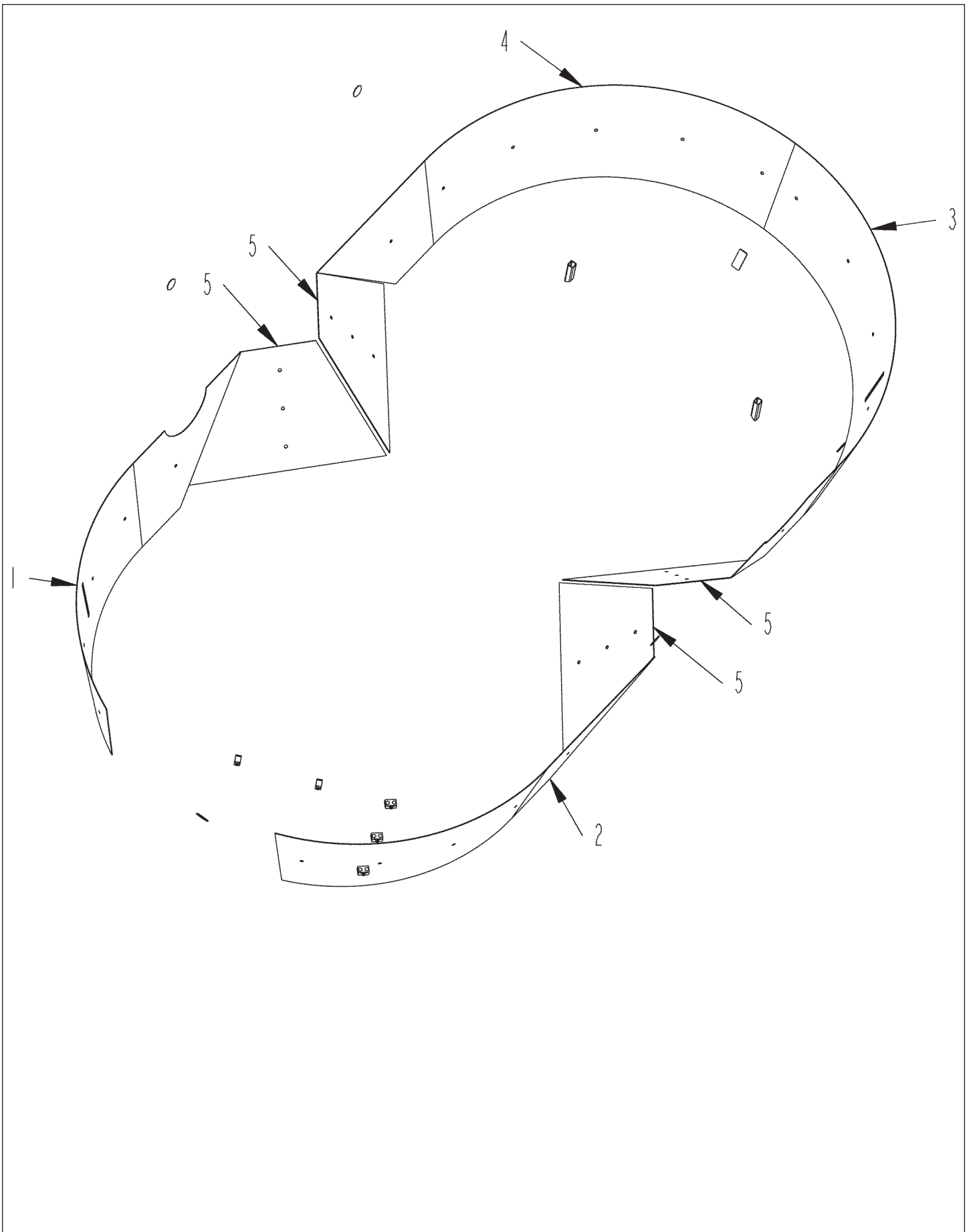
TUB ASSEMBLY (FOR S.N. 700HJ0028 AND UP)



TUB ASSEMBLY (FOR S.N. 700HJ0028 AND UP)

ITEM	PART	QTY.	PART DESCRIPTION
1	3100215	1	GRBX\PLANETARY\SNGL\1750
2	3100216	1	GRBX\PLANETARY\DBL\1750
3	3600648	1	PTO\242-24190\35E\W\CLUTCH
4	4100030	2	PIN 1" X 3-1/2" HYD. CYL.
5	4704160	1	TUB\WELD\CMF700
6	4704161	1	DOOR\CNVYR\ASSY
7	4704181	2	PIN\LOCK\3/4X2-1/2
8	4704312	1	BELT\12"\EXT\TMR
9	4704340	2	PL\CLMP\EXT\TUB
10	4704359	2	BRKT\DOOR\ASSY
11	4704372	4	PL\COVER\WNDW\CMF
12	4704373	4	PL\SPACER\COVER\WNDW\CMF
13	4704536	2	CLAMP\SIDE\BELT\TUB
14	4704537	16	CLAMP\END\BELT\TUB
15	4704538	1	BELT\DOOR\CMF700
16	4704556	1	SH\WIPER\DOOR\700
17	4704567	2	KNIFE\VERT
18	4705153	1	INDICATOR\HEIGHT\DOOR
19	4800003	58	BOLT\HEX\3/8X1
20	4800034	11	BOLT\HEX\3/8X1-1/2
21	4800081	20	BOLT\HEX\5/16X1-1/2
22	4800107	4	PIN\HAIR\1/8(#9)
23	4800115	2	BOLT\HEX\3/4X2-1/2
24	4800277	8	BOLT\HEX\1/4X1
25	4800456	2	PIN\RLLD\3/16X1-1/8
26	4800948	48	BOLT\HEX\M16XM60
27	4900002	17	NUT\HEX\3/8\NC
28	4900003	20	NUT\HEX\5/16\NC
29	4900009	8	NUT\HEX\1/4\NC
30	4900082	52	NUT\INSERT\3/8\027X.150GR
31	4900139	2	NUT\TPLCK\3/4\GR8\NC
32	5000001	6	WASH\FLAT\3/8
33	5000019	69	WASH\LOCK\3/8
34	5000022	21	WASH\LOCK\5/16
35	5000024	8	WASH\LOCK\1/4
36	5000114	46	WASH\FLAT\5/8\EXTRTHK\GR8
37	5700715	1	KIT\LIGHT
38	5700716	1	KIT\LIGHT
39	7501138	2	WEATHERSTRIP\2PC\1/4X3/8X69
40	7501139	2	WNDW\POLYCARB\8X30X3/8
41	7501223	2	WITHRTRP\1/4X3/8\LOCK
42	7501336	5	CLMP\HOSE\CUSH\3/8
43	4100241	1	CYL\HYD\2"X24"1-1/4"ROD
	5700714		KIT\LIGHT\CMF (INCLUDES #36, #37 AND 5700713)
	4704162		TUB\ASSY\CNVYR\CMF 700\TRLR

TUB LINER ASSEMBLY (FOR S.N. 700HJ0028 AND UP)

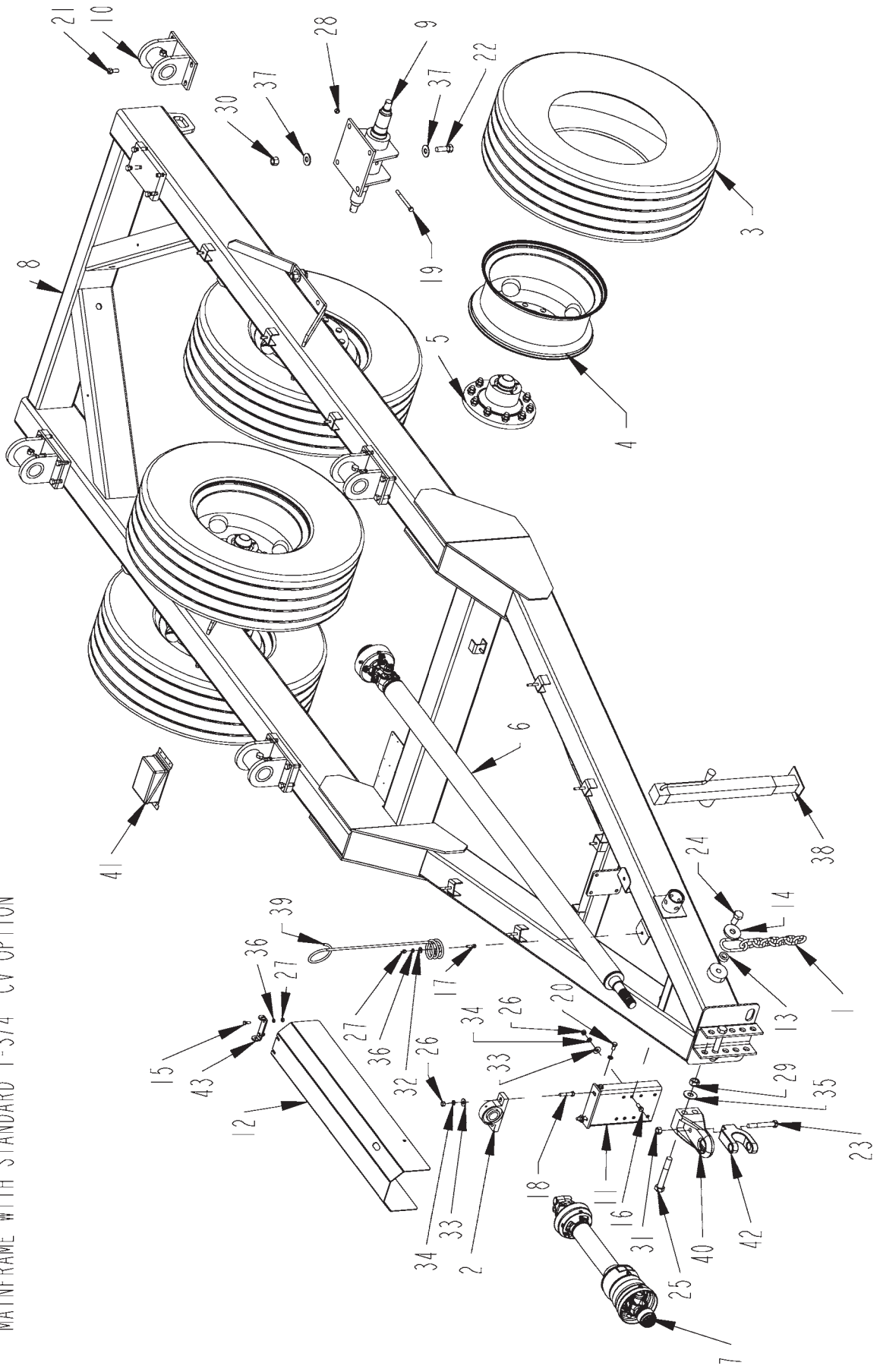


TUB LINER ASSEMBLY (FOR S.N. 700HJ0028 AND UP)

ITEM	PART	QTY.	PART DESCRIPTION
1	4704599	1	LINER\FRNT\RGHT\CMF700
2	4704600	1	LINER\FRNT\LFT\CMF700
3	4704851	1	LINER\REAR\LFT\CMF700
4	4704852	1	LINER\REAR\RGHT\CMF700
5	4704853	4	LINER\ANGLES\CMF700

MAINFRAME (STANDARD) (FOR S.N. GJ0013 TO GJ0027)

MAINFRAME WITH STANDARD 1-3/4" CV OPTION



MAINFRAME (STANDARD) (FOR S.N. GJ0013 TO GJ0027)

ITEM	PART	QTY.	PART DESCRIPTION
1	1100255	1	CHAIN\SAFETY\AG\1/2"\40K_CAP
2	2000514	1	BRG\PB\1-3/4\2BOLT\MALLEABLE
3	2600049	4	TIRE\315\80R22.5\20PLY\KUMHO
4	2600646	4	WHL\10-BOLT\22.5X9
5	2900145	4	HUB\ASSY\10-BOLT\11.25"BC
6	3600493	1	PTO\252-22641\44E
7	3600530	1	PTO\251-23026\44E\1-3/4CV
8	4703985	1	FRAME\TUB
9	4703986	2	MNT\AXLE
10	4703989	4	MNT\LOADCELL\FRAME
11	4704173	1	MNT\BRG\D/S
12	4704177	1	PL\SHIELD\D/S
13	4704337	1	BUSHING\MNT\CHAIN\SAFETY
14	4704338	1	WASHER\CHAIN\SAFETY
15	4800003	2	BOLT\HEX\3/8X1
16	4800018	4	BOLT\HEX\1/2X1-1/4
17	4800034	1	BOLT\HEX\3/8X1-1/2
18	4800070	2	BOLT\HEX\1/2X2-1/2
19	4800077	2	BOLT\HEX\1/2X5-1/2
20	4800085	2	BOLT\HEX\1/2X1
21	4800106	16	BOLT\HEX\5/8X1-1/2
22	4800470	8	BOLT\HEX\7/8X2-1/2\NC
23	4800492	1	BOLT\HEX\3/4X5-1/2\GR8\NC
24	4800547	1	BOLT\HEX\1X2\NC
25	4800919	2	BOLT\HEX\1X6-1/2\GR5\NC
26	4900001	6	NUT\HEX\1/2\NC
27	4900002	3	NUT\HEX\3/8\NC
28	4900014	2	NUT\TPLCK\1/2\NC
29	4900015	2	NUT\NYLCK\1\NC
30	4900136	8	NUT\NYLCK\7/8\NC
31	4900139	1	NUT\TPLCK\3/4\GR8\NC
32	5000001	1	WASH\FLAT\3/8
33	5000004	8	WASH\FLAT\1/2
34	5000006	8	WASH\LOCK\1/2
35	5000014	2	WASH\FLAT\1
36	5000019	3	WASH\LOCK\3/8
37	5000098	16	WASH\FLAT\7/8
38	5800627	1	JACK\5000LB\SWIVEL-STYLE
39	7500170	1	HOSE MINDER
40	7500641	1	HITCH\BASE\#3\PP\1"PIN
41	7500978	1	2620 LOADCELL JUNCTION BOX, 2000
42	7501216	1	HITCH\CLEVIS\PP\1.25"PIN
43	8101076	1	MNT\SHLD\DRV

DRIVELINES (NOT SHOWN)

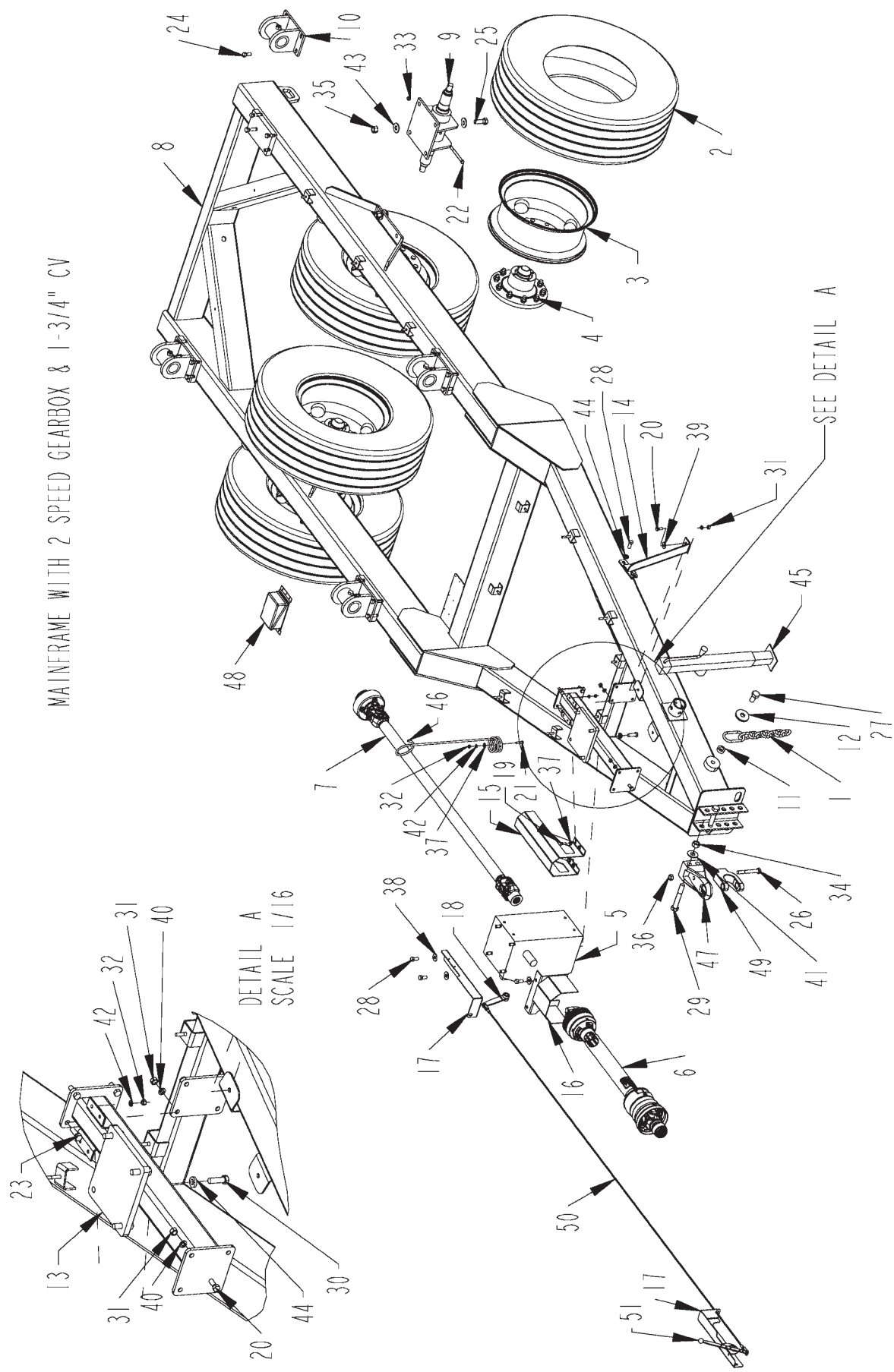
3600551 PTO\242-23429\35E\W\CLTCH\12K FREE MTN

OPTIONAL DRIVELINE (NOT SHOWN)

3600526 PTO\251-22660\44E\1-3/8CV

**MAINFRAME WITH 2 SPEED GEARBOX (OPTION)
(FOR S.N. GJ0013 TO GJ0027)**

MAINFRAME WITH 2 SPEED GEARBOX & 1-3/4" CV



DETAIL A
SCALE 1/16

SEE DETAIL A

**MAINFRAME WITH 2 SPEED GEARBOX (OPTION)
(FOR S.N. GJ0013 TO GJ0027)**

ITEM	PART	QTY.	PART DESCRIPTION
1	1100255	1	CHAIN\SAFETY\AG\1/2"40K_CAP
2	2600049	4	TIRE\315\80R22.5\20PLY\KUMHO
3	2600646	4	WHL\10-BOLT\22.5X9
4	2900145	4	HUB\ASSY\10-BOLT\11.25"BC
5	3100212	1	GRB\2SPD\1.8:1\RRUSA
6	3600553	1	PTO\251-23460\44E\1-3/4CV
7	3600554	1	PTO\252-23461\44E
8	4703985	1	FRAME\TUB
9	4703986	2	MNT\AXLE
10	4703989	4	MNT\LOADCELL\FRAME
11	4704337	1	BUSHING\MNT\CHAIN\SAFETY
12	4704338	1	WASHER\CHAIN\SAFETY
13	4704543	1	BRKT\2-SPD\GRBX
14	4704544	1	BRKT\SIDE\2-SPD\GRBX
15	4704545	1	SHLD\DRVLN\2SPD\GRBX
16	4704546	1	SHLD\DRVLN\2SPD\GRBX\FRNT
17	4704552	2	BRKT\CBL\SHFT\2SPD\CMF
18	4704553	1	LNK\2SPD\CMF
19	4800003	4	BOLT\HEX\3/8X1
20	4800018	5	BOLT\HEX\1/2X1-1/4
21	4800034	1	BOLT\HEX\3/8X1-1/2
22	4800077	2	BOLT\HEX\1/2X5-1/2
23	4800082	4	BOLT\HEX\1/2X1-1/2
24	4800106	16	BOLT\HEX\5/8X1-1/2
25	4800470	8	BOLT\HEX\7/8X2-1/2\NC
26	4800492	1	BOLT\HEX\3/4X5-1/2\GR8\NC
27	4800547	1	BOLT\HEX\1X2\NC
28	4800565	5	BOLT\HEX\M16XM35
29	4800919	2	BOLT\HEX\1X6-1/2\GR5\NC
30	4800944	4	BOLT\HEX\M16XM50
31	4900001	9	NUT\HEX\1/2\NC
32	4900002	5	NUT\HEX\3/8\NC
33	4900014	2	NUT\TPLCK\1/2\NC
34	4900015	2	NUT\NYLCK\1\NC
35	4900136	8	NUT\NYLCK\7/8\NC
36	4900139	1	NUT\TPLCK\3/4\GR8\NC
37	5000001	5	WASH\FLAT\3/8
38	5000002	3	WASH\FLAT\5/8
39	5000004	1	WASH\FLAT\1/2
40	5000006	9	WASH\LOCK\1/2
41	5000014	2	WASH\FLAT\1
42	5000019	5	WASH\LOCK\3/8
43	5000098	16	WASH\FLAT\7/8
44	5000114	6	WASH\FLAT\5/8\EXTRTHK\GR8
45	5800627	1	JACK\5000LB\SWIVEL-STYLE
46	7500170	1	HOSE MINDER
47	7500641	1	HITCH\BASE\#3\PP\1"PIN
48	7500978	1	2620 LOADCELL JUCTION BOX, 2000
49	7501216	1	HITCH\CLEVIS\PP\1.25"PIN
50	7501226	1	CABLE\PUSH_PULL\11FT
51	7501228	1	LEVER\ASSY\2SPD\CMF

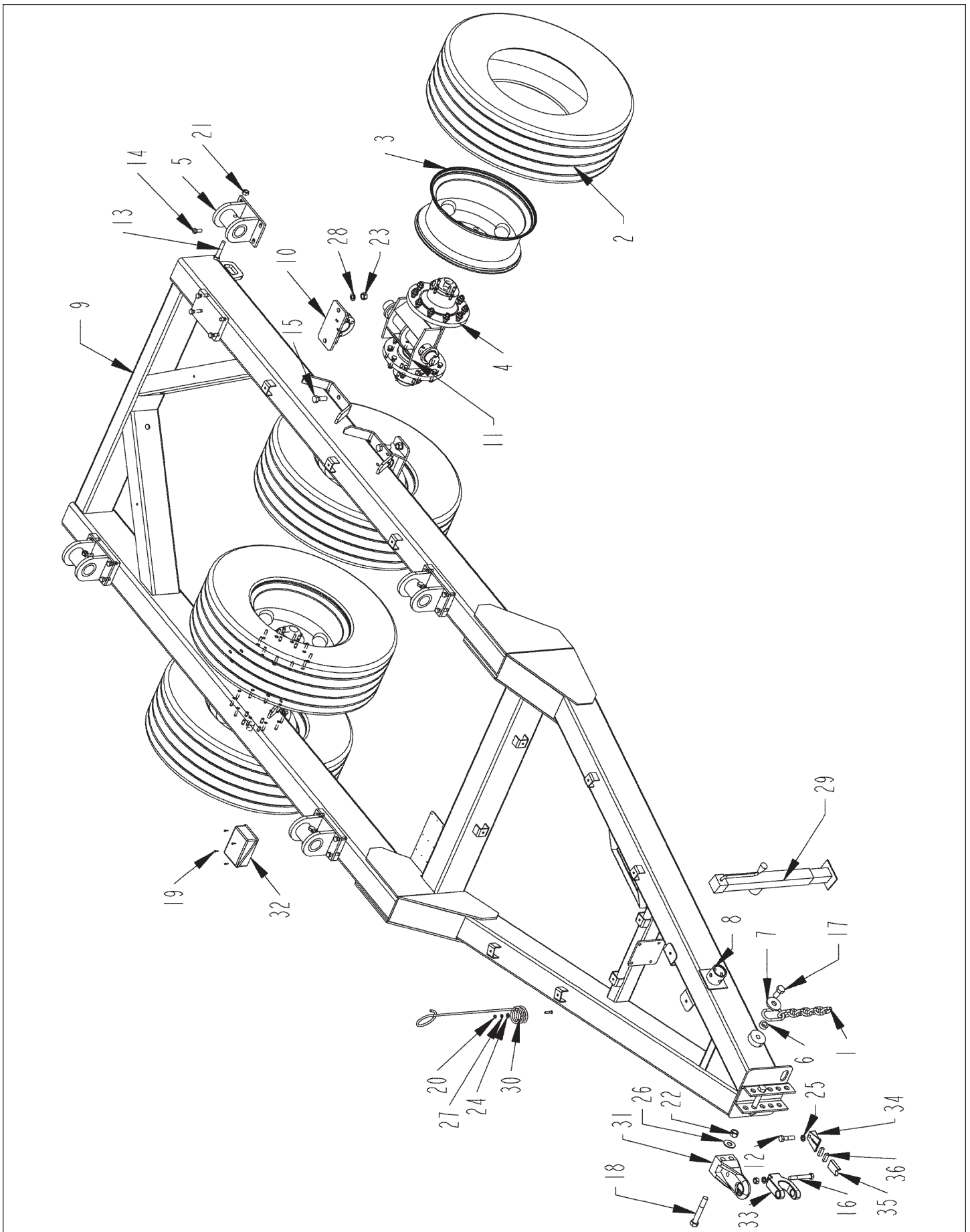
DRIVELINE (NOT SHOWN)

3600551 PTO\242-23429\35E\W\CLTCH

OPTIONAL DRIVELINE (NOT SHOWN)

3600619 PTO\251-23910\44E\1-3/8CV_2SPD_

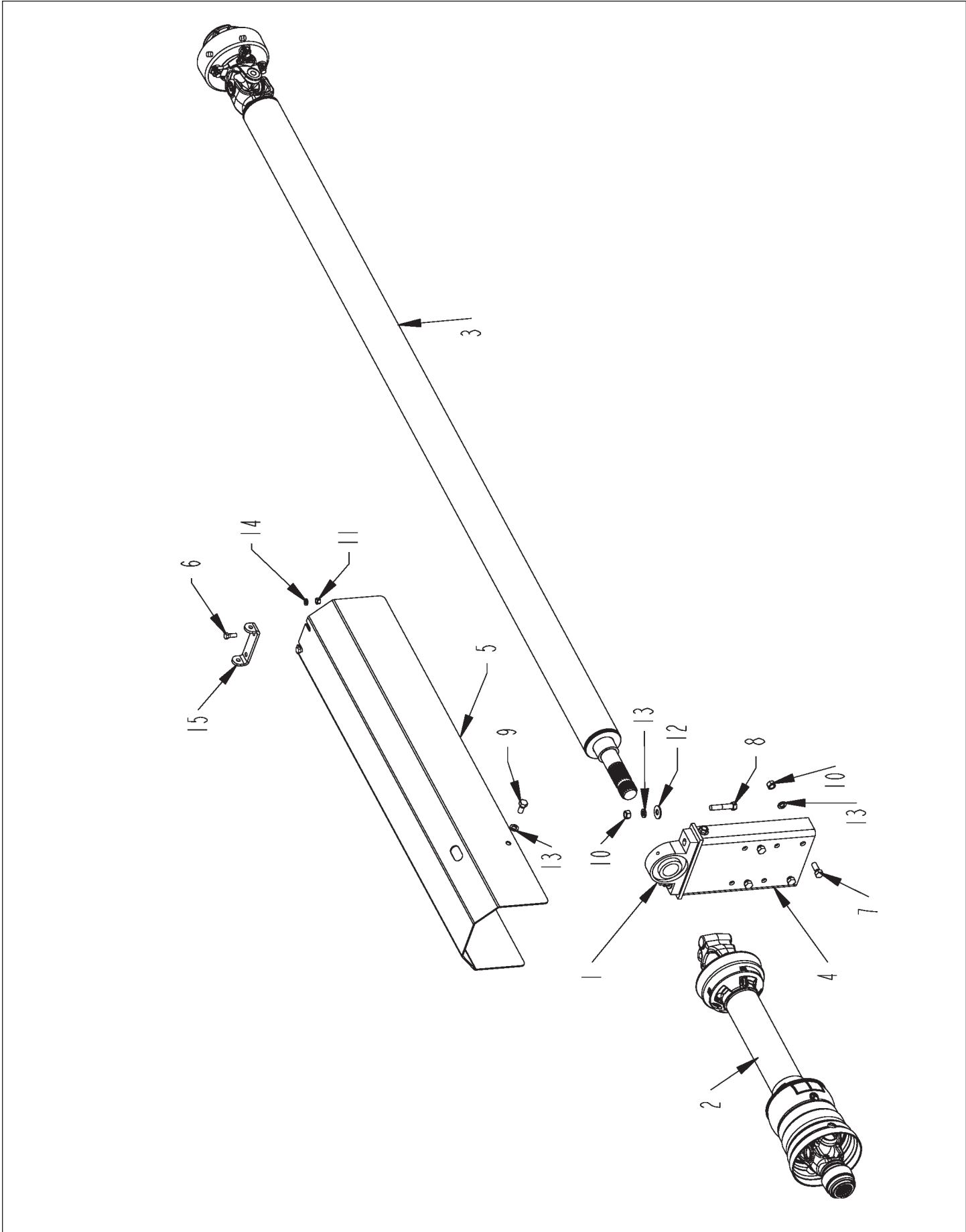
MAINFRAME ASSEMBLY (FOR S.N. 700HJ0028 AND UP)



MAINFRAME ASSEMBLY (FOR S.N. 700HJ0028 AND UP)

ITEM	PART	QTY.	PART DESCRIPTION
1	1100255	1	CHAIN\SAFETY\AG\1/2"\40K_CAP
2	2600049	4	TIRE\315\80R22.5\20PLY\KUMHO
3	2600646	4	WHL\10-BOLT\22.5X9
4	2900154	4	HUB\ASSY\10-BOLT\11.25"BC
5	4703989	4	MNT\LOADCELL\FRAME
6	4704337	1	BUSHING\MNT\CHAIN\SAFETY
7	4704338	1	WASHER\CHAIN\SAFETY
8	4704542	1	TUBE\FEMALE\JACK\7K\3/4"PIN
9	4704875	1	FRAME\TUB
10	4704878	4	CUP\BRG\AXLE\CMF\ASSY
11	4704893	2	AXLE\ASSY\CMF700
12	4800017	1	BOLT\HEX\3/4X3
13	4800063	4	BOLT\HEX\3/4X4
14	4800106	16	BOLT\HEX\5/8X1-1/2
15	4800470	8	BOLT\HEX\7/8X2-1/2\NC
16	4800492	1	BOLT\HEX\3/4X5-1/2\GR8\NC
17	4800547	1	BOLT\HEX\1X2\NC
18	4800919	2	BOLT\HEX\1X6-1/2\GR5\NC
19	4801231	4	SCR\HEX\#8-18X3/4"\SELF-DRILLING
20	4900002	1	NUT\HEX\3/8\NC
21	4900004	5	NUT\HEX\3/4\NC
22	4900015	2	NUT\NYLCK\1\NC
23	4900022	8	NUT\HEX\7/8\NC
24	5000001	1	WASH\FLAT\3/8
25	5000012	2	WASH\LOCK\3/4
26	5000014	2	WASH\FLAT\1
27	5000019	1	WASH\LOCK\3/8
28	5000106	8	WASH\LOCK\7/8
29	5800627	1	JACK\5000LB\SWIVEL-STYLE
30	7500170	1	HOSE MINDER
31	7500641	1	HITCH\BASE\#3\PP\1"PIN
32	7500978	1	2620 LOADCELL JUNCTION BOX, 2000
33	7501216	1	HITCH\CLEVIS\PP\1.25"PIN
34	7501425	1	PL\TOP\HITCH\PERFECT\CTD
35	7501426	1	BLOCK\HITCH\PERFECT
36	7501427	2	CUSHION\NEOPRENE\HITCH\PERFECT
	4705165		HITCH\OPTION\BLOCK\CTD (INCLUDES #34, #35, & #36)
	4705168		HITCH\OPTION\CLEVIS\1.25" PIN (INCLUDES #16, #21, #25 & #33)
NOT SHOWN			
	5700226	1	ENCL\BATT\PLSTC\GRP27
	5700227	1	BATT\12VDC\GRP24
	5700275	2	TERM\BATT\UNIV\MARINE\
	7501326		LOADCELL\2.5"DBND\21'CABLE

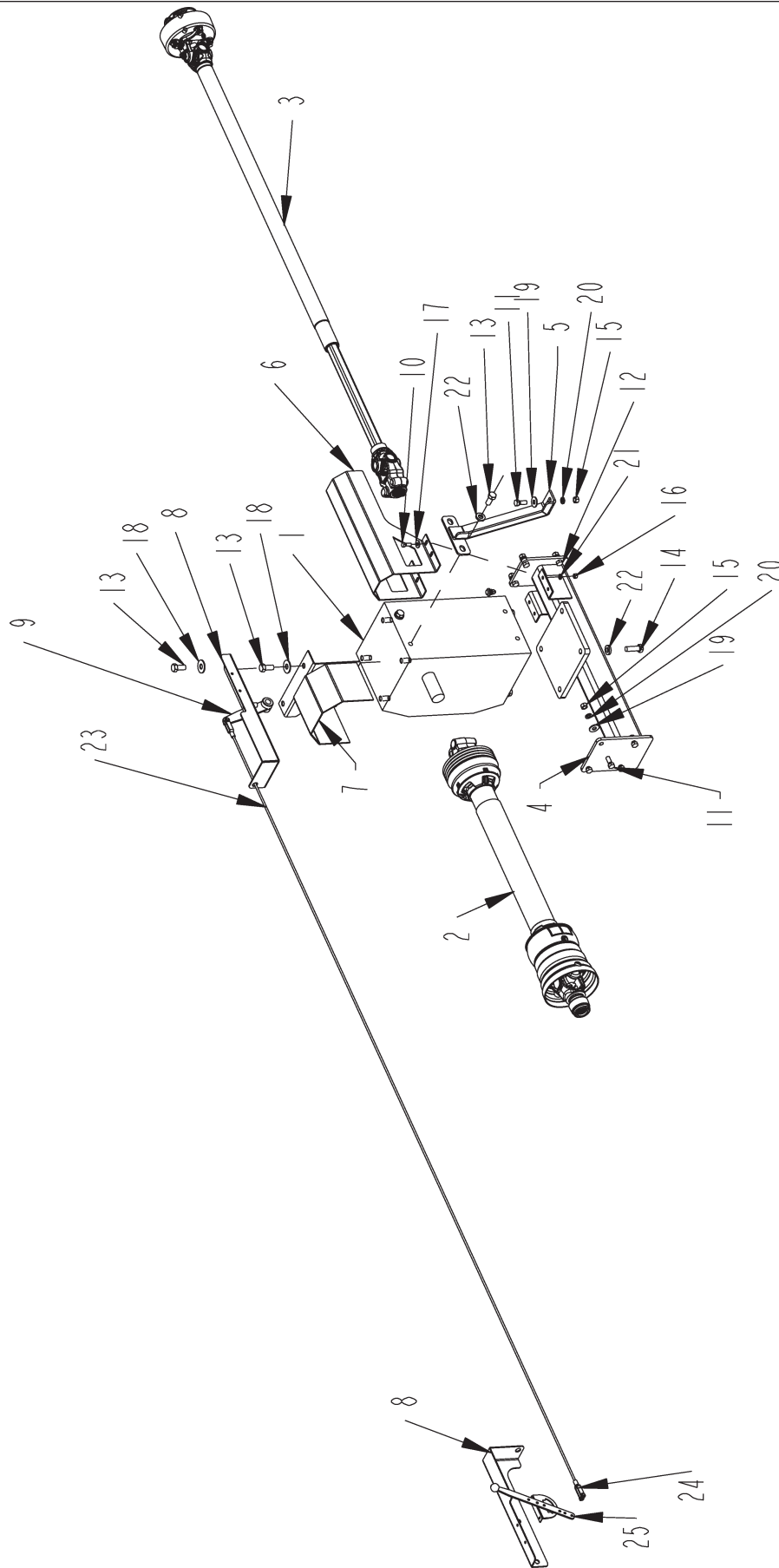
**DRIVE LINE OPTION - STANDARD - 1-3/4 CV
(FOR S.N. 700HJ0028 AND UP)**



**DRIVE LINE OPTION - STANDARD - 1-3/4 CV
(FOR S.N. 700HJ0028 AND UP)**

ITEM	PART	QTY.	PART DESCRIPTION
1	2000514	1	BRG\PB\1-3/4\2BOLT\MALLEABLE
2	3600530	1	PTO\251-23026\44E\1-3/4CV
3	3600647	1	PTO\94-24186\44E\21K_CLTCH
4	4704173	1	MNT\BRG\D/S
5	4704177	1	PL\SHIELD\D/S
6	4800003	2	BOLT\HEX\3/8X1
7	4800018	4	BOLT\HEX\1/2X1-1/4
8	4800070	2	BOLT\HEX\1/2X2-1/2
9	4800085	2	BOLT\HEX\1/2X1
10	4900001	6	NUT\HEX\1/2\NC
11	4900002	2	NUT\HEX\3/8\NC
12	5000004	4	WASH\FLAT\1/2
13	5000006	8	WASH\LOCK\1/2
14	5000019	2	WASH\LOCK\3/8
15	8101076	1	MNT\SHLD\DRV
	4704889		OPTION\DRVLN\STND\1-3/4CV\CM

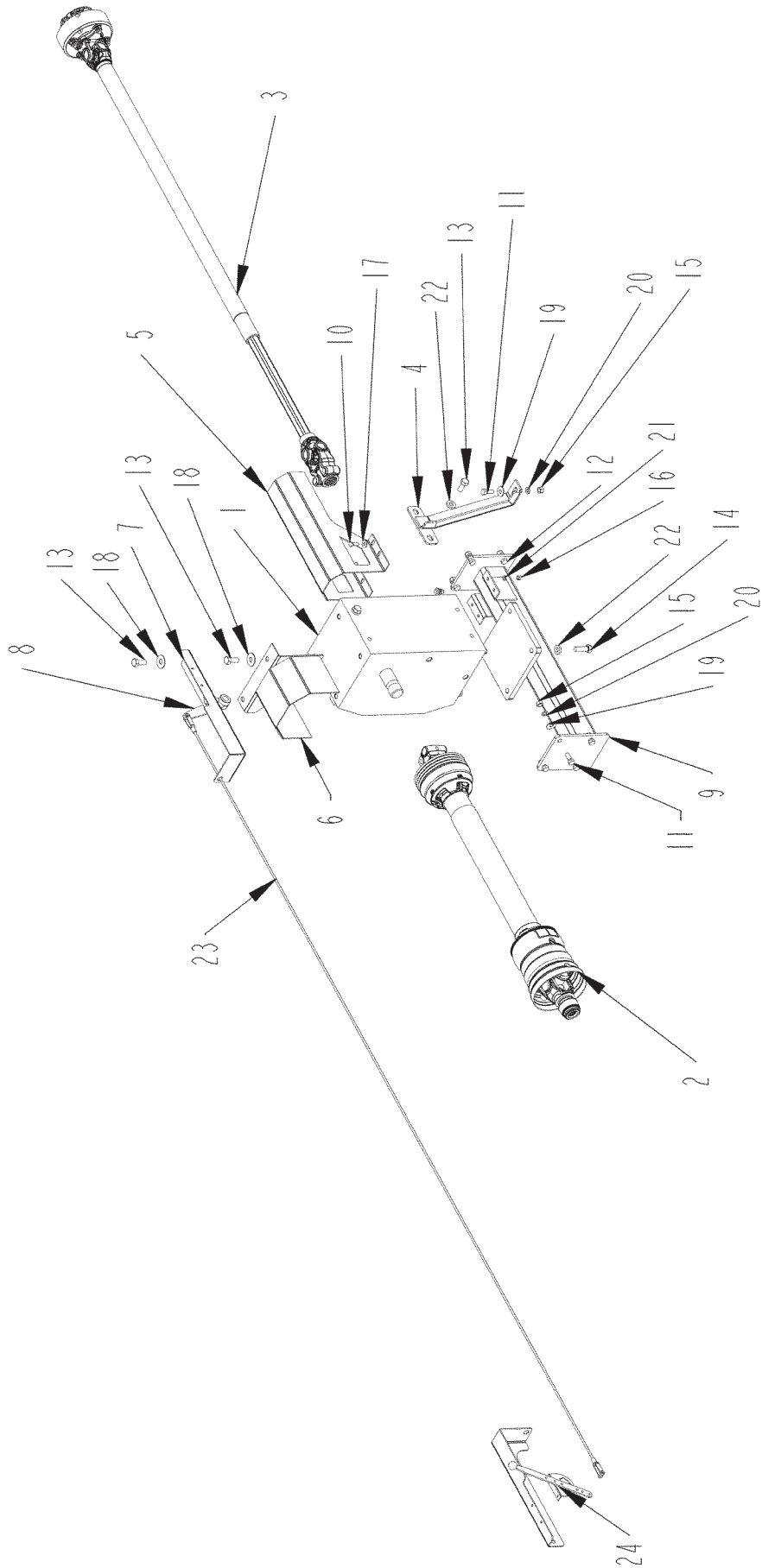
**DRIVE LINE OPTION - 2 SPEED GEARBOX - 1-3/4 CV
(FOR S.N. 700HJ0028 TO 700100062)**



**DRIVE LINE OPTION - 2 SPEED GEARBOX - 1-3/4 CV
(FOR S.N. 700HJ0028 TO 700100062)**

ITEM	PART	QTY.	PART DESCRIPTION
1	3100212	1	GRBX\2SPD\1.8:1\RRUSA
2	3600553	1	PTO\251-23460\44E\1-3/4CV
3	3600649	1	PTO\252-24191\44E\W\CLUTCH
4	4704543	1	BRKT\2-SPD\GRBX
5	4704544	1	BRKT\SIDE\2-SPD\GRBX
6	4704545	1	SHLD\DRVLN\2SPD\GRBX
7	4704546	1	SHLD\DRVLN\2SPD\GRBX\FRNT
8	4704552	2	BRKT\CBL\SHFT\2SPD\CMF
9	4704553	1	LNK\2SPD\CMF
10	4800003	4	BOLT\HEX\3/8X1
11	4800018	5	BOLT\HEX\1/2X1-1/4
12	4800082	4	BOLT\HEX\1/2X1-1/2
13	4800565	5	BOLT\HEX\M16XM35
14	4800944	4	BOLT\HEX\M16XM50
15	4900001	9	NUT\HEX\1/2\NC
16	4900002	4	NUT\HEX\3/8\NC
17	5000001	4	WASH\FLAT\3/8
18	5000002	3	WASH\FLAT\5/8
19	5000004	5	WASH\FLAT\1/2
20	5000006	9	WASH\LOCK\1/2
21	5000019	4	WASH\LOCK\3/8
22	5000114	6	WASH\FLAT\5/8\EXTRTHK\GR8
23	7501226	1	CABLE\PUSH_PULL\11FT
24	7501227	2	CLEVIS\5/16" PIN\P&PCABLE
25	7501228	1	LEVER\ASSY\2SPD\CMF
	4704890		OPTION\DRVLN\2SPD\1-3/4CV\CMF

**DRIVE LINE OPTION - 2 SPEED GEARBOX - 1-3/4 CV
(FOR S.N. 700100063 AND UP)**



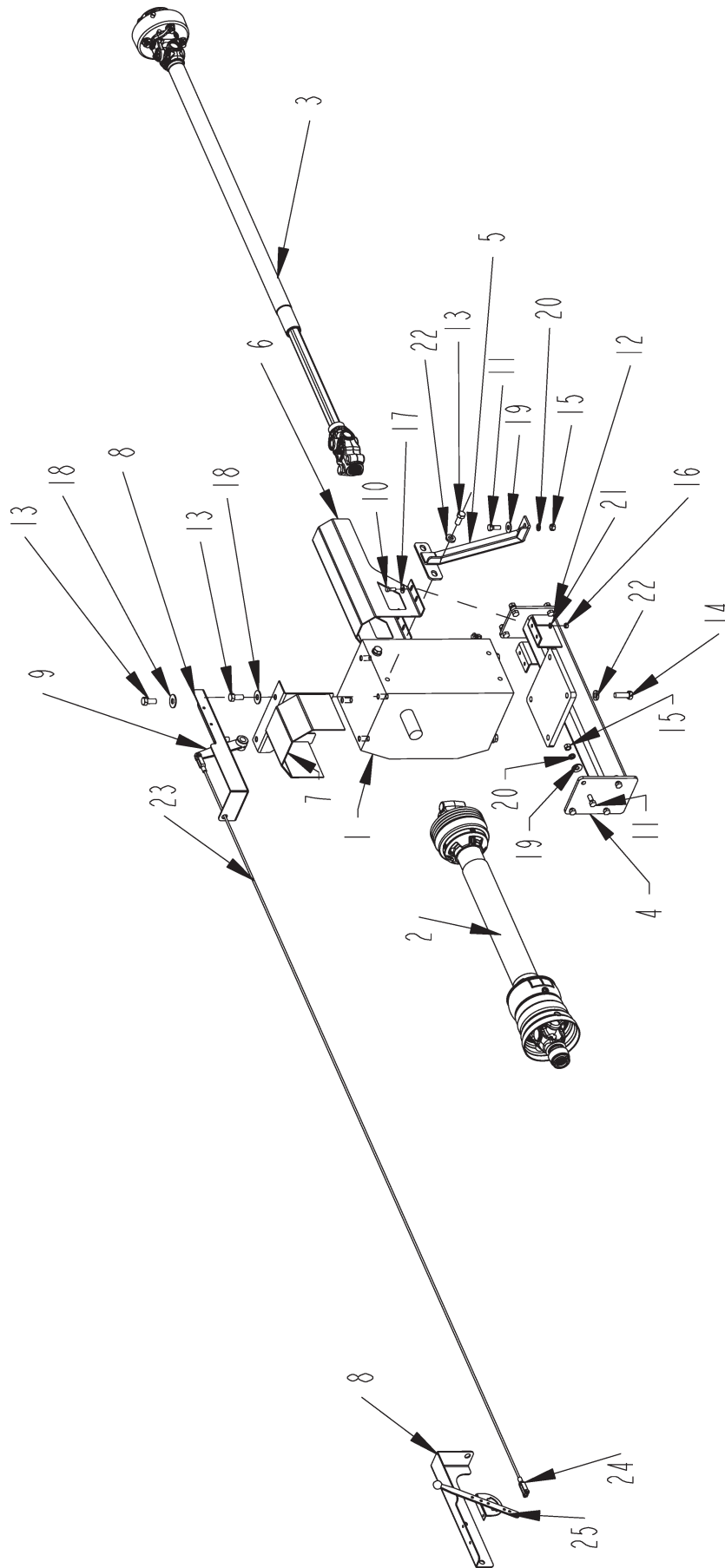
**DRIVE LINE OPTION - 2 SPEED GEARBOX - 1-3/4 CV
(FOR S.N. 700100063 AND UP)**

ITEM	PART	QTY.	PART DESCRIPTION
1	3100225	1	GRBX\2SPD\1.84:1\B&P6078
2	3600553	1	PTO\251-23460\44E\1-3/4CV
3	3600649	1	PTO\252-24191\44E\W\CLUTCH
4	4704544	1	BRKT\SIDE\2-SPD\GRBX
5	4704545	1	SHLD\DRVLN\2SPD\GRBX
6	4704546	1	SHLD\DRVLN\2SPD\GRBX\FRNT
7	4704552	2	BRKT\CBL\SHFT\2SPD\CMF
8	4704553	1	LNK\2SPD\CMF
9	4705158	1	BRKT\2-SPD\GRBX
10	4800003	4	BOLT\HEX\3/8X1
11	4800018	5	BOLT\HEX\1/2X1-1/4
12	4800082	4	BOLT\HEX\1/2X1-1/2
13	4800565	5	BOLT\HEX\M16XM35
14	4800944	4	BOLT\HEX\M16XM50
15	4900001	9	NUT\HEX\1/2\NC
16	4900002	4	NUT\HEX\3/8\NC
17	5000001	4	WASH\FLAT\3/8
18	5000002	3	WASH\FLAT\5/8
19	5000004	5	WASH\FLAT\1/2
20	5000006	9	WASH\LOCK\1/2
21	5000019	4	WASH\LOCK\3/8
22	5000114	6	WASH\FLAT\5/8\EXTRTHK\GR8
23	7501226	1	CABLE\PUSH_PULL\11FT
24	7501228	1	LEVER\CNTRL\2SPD\CMF

4705159

DRVLN\2SPD\1-3/4CV\700

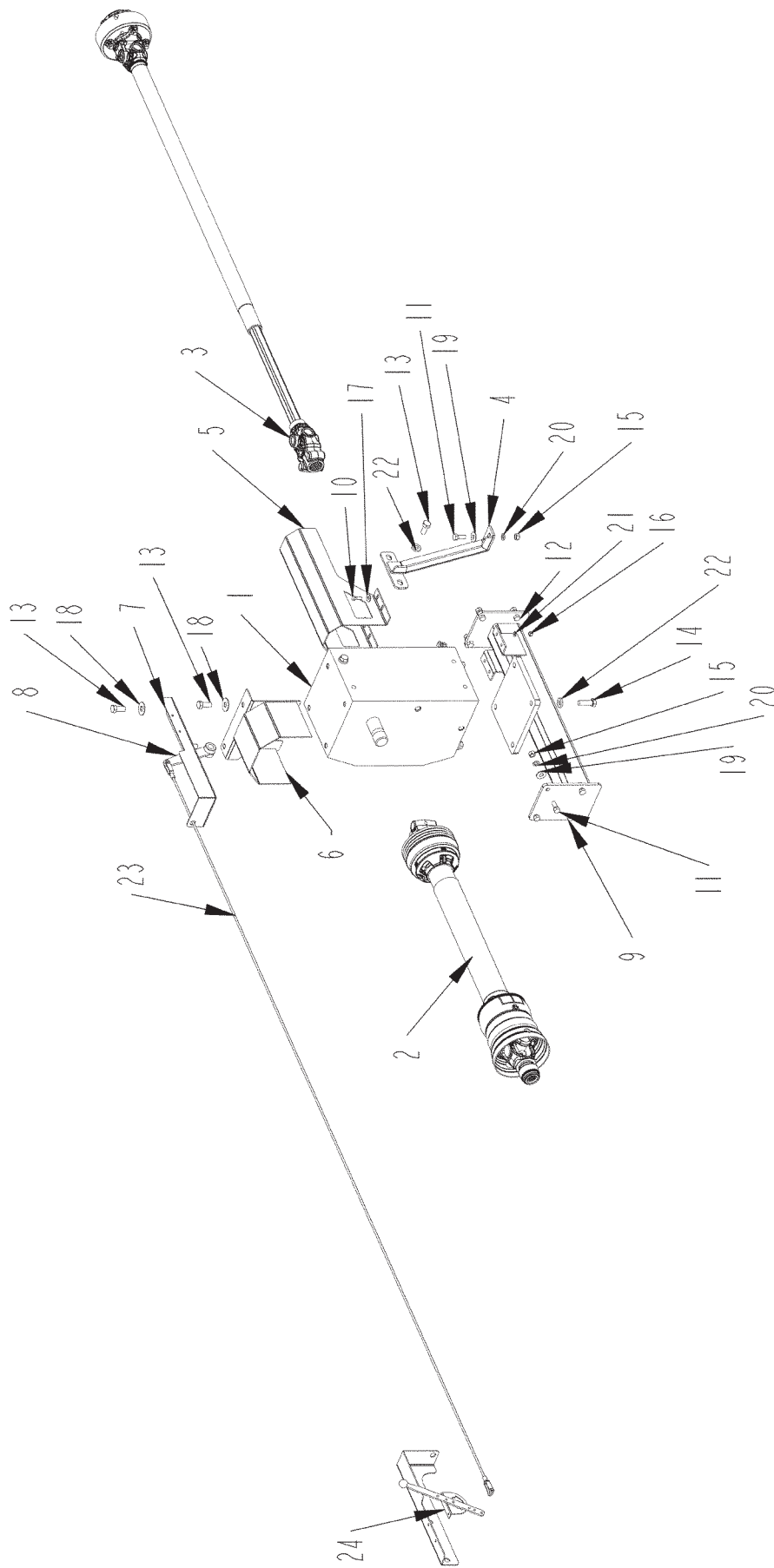
**DRIVE LINE OPTION - 2 SPEED GEARBOX - 1-3/8 CV
(FOR S.N. 700HJ0028 TO 700100062)**



**DRIVE LINE OPTION - 2 SPEED GEARBOX - 1-3/8 CV
(FOR S.N. 700HJ0028 TO 700100062)**

ITEM	PART	QTY.	PART DESCRIPTION
1	3100212	1	GRBX\2SPD\1.8:1\RRUSA
2	3600619	1	PTO\251-23910\44E\1-3/8CV
3	3600649	1	PTO\252-24191\44E\W\CLUTCH
4	4704543	1	BRKT\2-SPD\GRBX
5	4704544	1	BRKT\SIDE\2-SPD\GRBX
6	4704545	1	SHLD\DRVLN\2SPD\GRBX
7	4704546	1	SHLD\DRVLN\2SPD\GRBX\FRNT
8	4704552	2	BRKT\CBL\SHFT\2SPD\CMF
9	4704553	1	LNK\2SPD\CMF
10	4800003	4	BOLT\HEX\3/8X1
11	4800018	5	BOLT\HEX\1/2X1-1/4
12	4800082	4	BOLT\HEX\1/2X1-1/2
13	4800565	5	BOLT\HEX\M16XM35
14	4800944	4	BOLT\HEX\M16XM50
15	4900001	9	NUT\HEX\1/2\NC
16	4900002	4	NUT\HEX\3/8\NC
17	5000001	4	WASH\FLAT\3/8
18	5000002	3	WASH\FLAT\5/8
19	5000004	5	WASH\FLAT\1/2
20	5000006	9	WASH\LOCK\1/2
21	5000019	4	WASH\LOCK\3/8
22	5000114	6	WASH\FLAT\5/8\EXTRTHK\GR8
23	7501226	1	CABLE\PUSH_PULL\11FT
24	7501227	2	CLEVIS\5/16" PIN\P&PCABLE
25	7501228	1	LEVER\ASSY\2SPD\CMF
	4704891		OPTION\DRVLN\2SPD\1-3/8CV\CMF

**DRIVE LINE OPTION - 2 SPEED GEARBOX - 1-3/8 CV
(FOR S.N. 700100063 AND UP)**



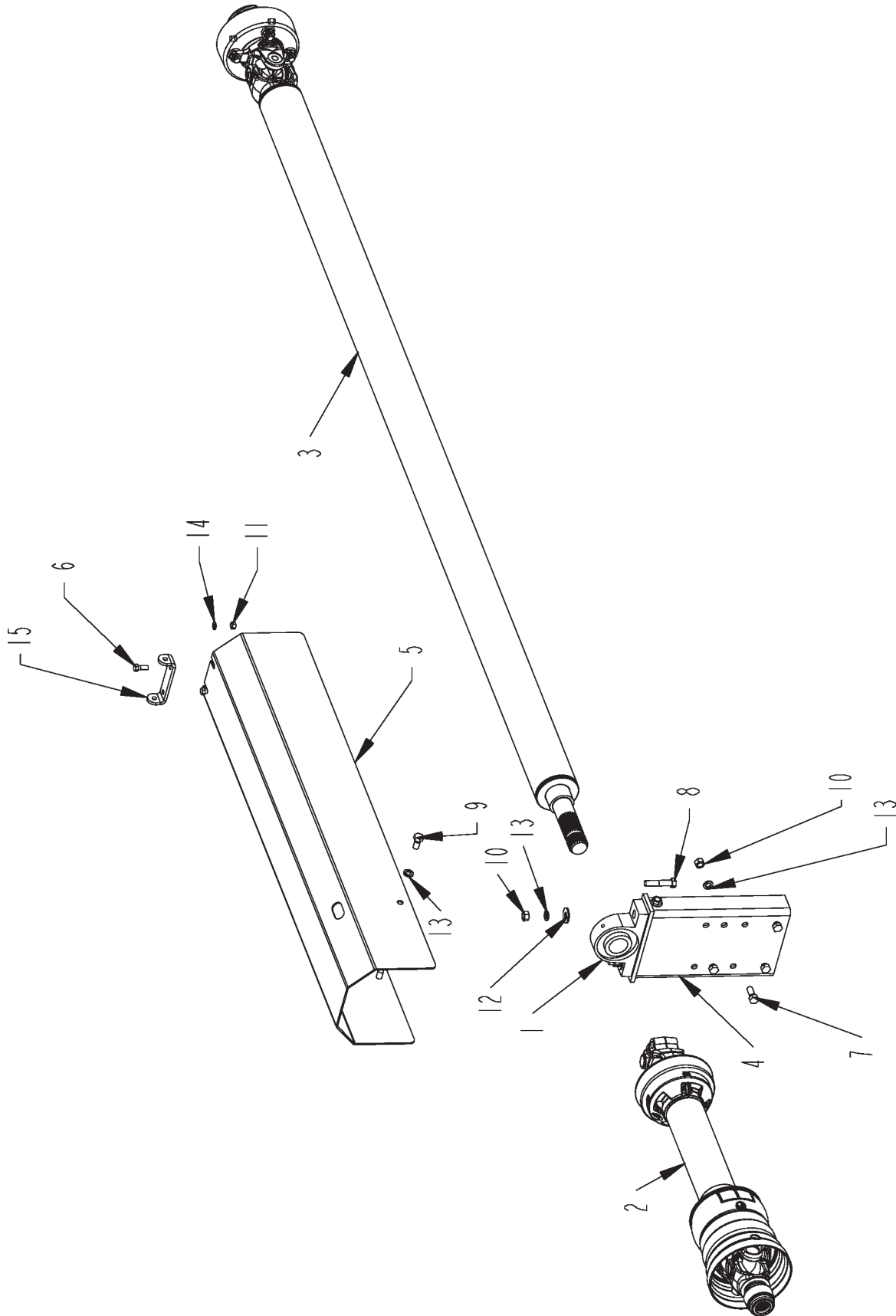
**DRIVE LINE OPTION - 2 SPEED GEARBOX - 1-3/8 CV
(FOR S.N. 700100063 AND UP)**

ITEM	PART	QTY.	PART DESCRIPTION
1	3100225	1	GRBX\2SPD\1.84:1\B&P6078
2	3600619	1	PTO\251-23910\44E\1-3/8CV
3	3600649	1	PTO\252-24191\44E\W\CLUTCH
4	4704544	1	BRKT\SIDE\2-SPD\GRBX
5	4704545	1	SHLD\DRVLN\2SPD\GRBX
6	4704546	1	SHLD\DRVLN\2SPD\GRBX\FRNT
7	4704552	2	BRKT\CBL\SHFT\2SPD\CMF
8	4704553	1	LNK\2SPD\CMF
9	4705158	1	BRKT\2-SPD\GRBX
10	4800003	4	BOLT\HEX\3/8X1
11	4800018	5	BOLT\HEX\1/2X1-1/4
12	4800082	4	BOLT\HEX\1/2X1-1/2
13	4800565	5	BOLT\HEX\M16XM35
14	4800944	4	BOLT\HEX\M16XM50
15	4900001	9	NUT\HEX\1/2\NC
16	4900002	4	NUT\HEX\3/8\NC
17	5000001	4	WASH\FLAT\3/8
18	5000002	3	WASH\FLAT\5/8
19	5000004	5	WASH\FLAT\1/2
20	5000006	9	WASH\LOCK\1/2
21	5000019	4	WASH\LOCK\3/8
22	5000114	6	WASH\FLAT\5/8\EXTRTHK\GR8
23	7501226	1	CABLE\PUSH_PULL\11FT
24	7501228	1	LEVER\ASSY\2SPD\CMF

4705160

DRVLN\2SPD\1-3/8CV\700

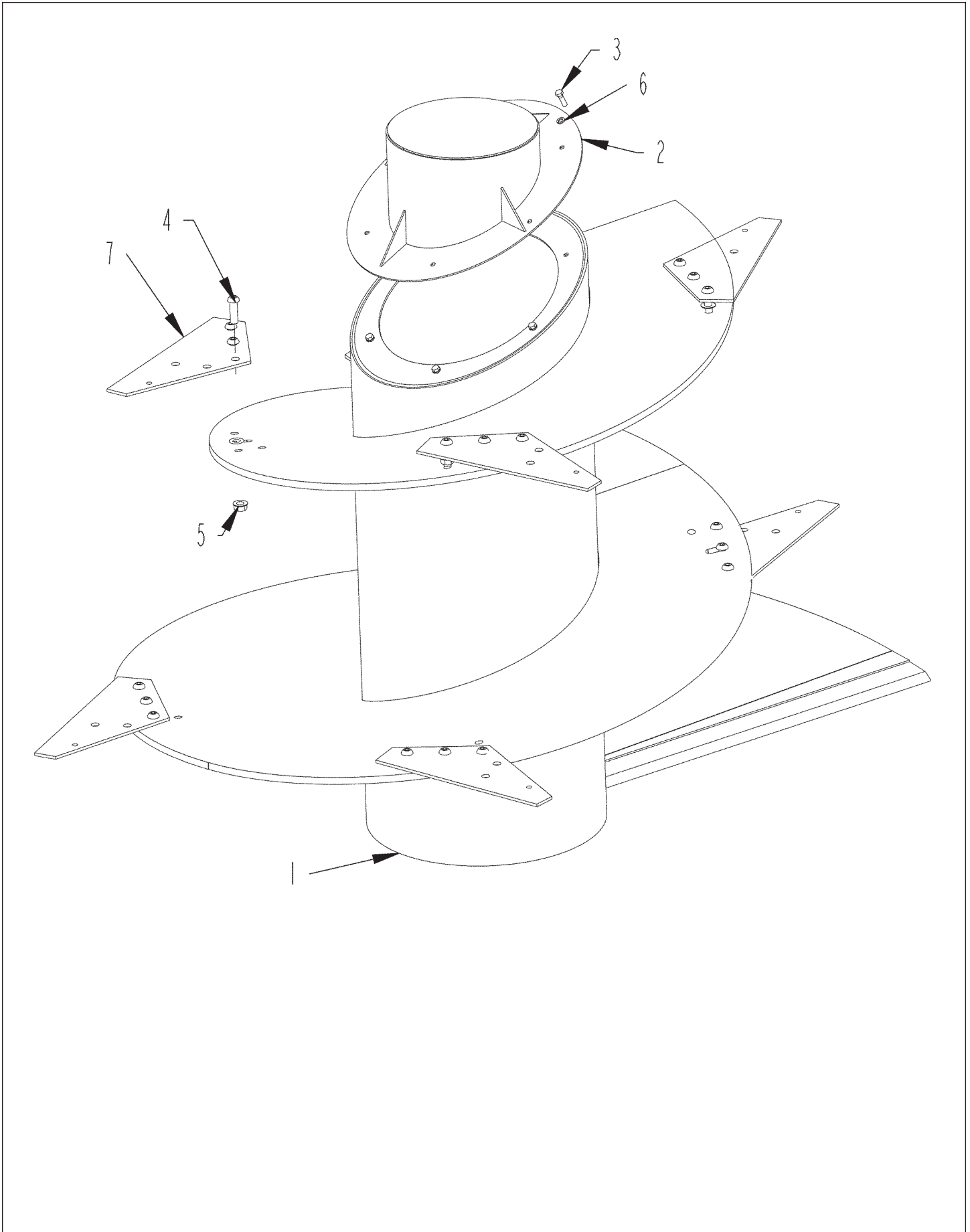
**DRIVE LINE OPTION - STANDARD - 1-3/8 CV
(FOR S.N. 700HJ0028 AND UP)**



**DRIVE LINE OPTION - STANDARD - 1-3/8 CV
(FOR S.N. 700HJ0028 AND UP)**

ITEM	PART	QTY.	PART DESCRIPTION
1	2000514	1	BRG\PB\1-3/4\2BOLT\MALLEABLE
2	3600526	1	PTO\251-22660\1-3/8CV
3	3600647	1	PTO\94-24186\44E\21K_CLTCH
4	4704173	1	MNT\BRG\D/S
5	4704177	1	PL\SHIELD\D/S
6	4800003	2	BOLT\HEX\3/8X1
7	4800018	4	BOLT\HEX\1/2X1-1/4
8	4800070	2	BOLT\HEX\1/2X2-1/2
9	4800085	2	BOLT\HEX\1/2X1
10	4900001	6	NUT\HEX\1/2\NC
11	4900002	2	NUT\HEX\3/8\NC
12	5000004	4	WASH\FLAT\1/2
13	5000006	8	WASH\LOCK\1/2
14	5000019	2	WASH\LOCK\3/8
15	8101076	1	MNT\SHLD\DRV
	4704892		OPTION\DRVLN\STND\1-3/8CV\CMF700

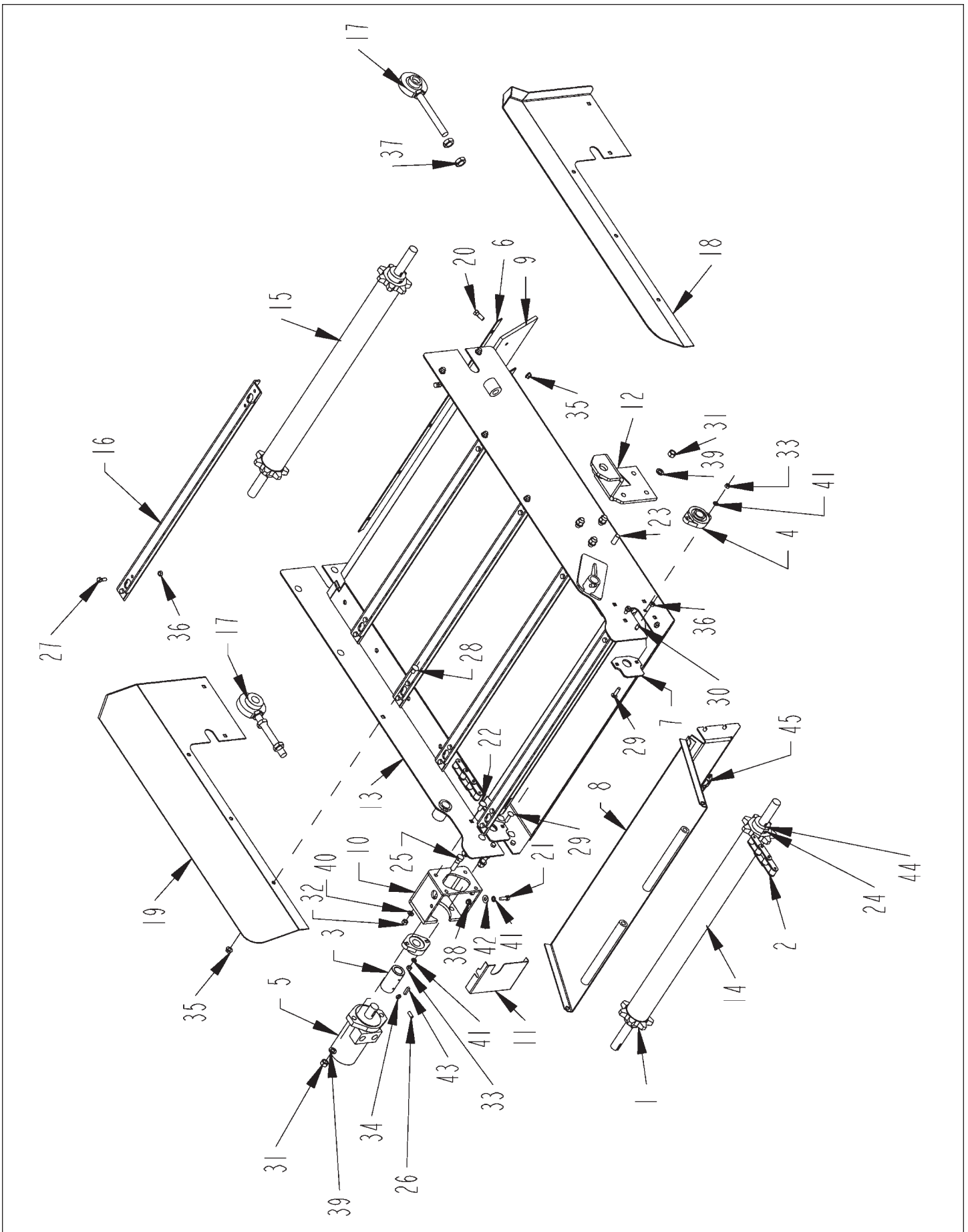
AUGER ASSEMBLY



AUGER ASSEMBLY

ITEM	PART	QTY.	PART DESCRIPTION
1	4704313	1	AUGER\WELD\CMF700
2	4704884	1	COVER\AUGER
3	4800098	6	BOLT\HEX\3/8X1-1/4\NC
4	4801290	21	SCR\BUT\ALN\5/8X1-3/4\NC
5	4900002	6	NUT\HEX\3/8\NC
6	4900110	21	NUT\FLG\SERR\5/8\NC
7	5000019	6	WASH\LOCK\3/8
8	7501161	7	BLADE\CMF\STANDARD
	4704315		AUGER\ASSY\CMF700

**LEFT HAND DISCHARGE CONVEYOR ASSEMBLY
(FOR S.N. UP TO 700HJ0047)**



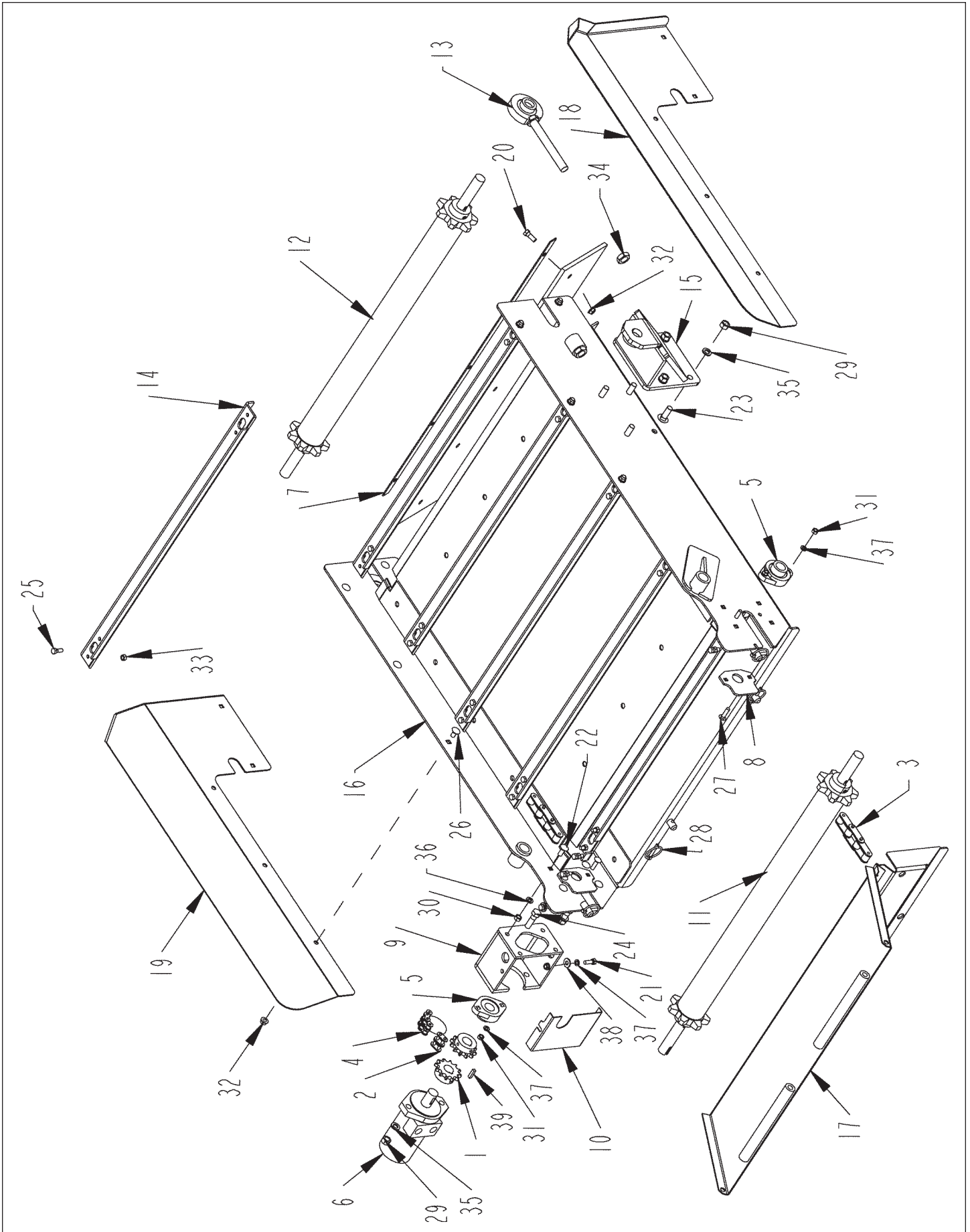
**LEFT HAND DISCHARGE CONVEYOR ASSEMBLY
(FOR S.N. UP TO 700HJ0047)**

ITEM	PART	QTY.	PART DESCRIPTION
1	1000089	4	SPKT\662\7\1\1/4KW\DR
2	1100150	2	CHAIN\620CA\53\W\ATTCH
3	1400586	1	COUPLER\SHAFT\1" ID\3" LONG
4	2000310	2	BRG\FLG\CAST\1\2BOLT
5	3900025	1	MOTOR\HYD\17.9\H\AMNT\7/8FOR\1SHFT
6	4704325	1	FLAT\WIPER\CNVYR
7	4704327	2	GUARD\CNVYR
8	4704328	1	PAN\TRANS\CNVYR
9	4704391	1	BELT\DEFL\EXT\CNVYR
10	4704558	1	MNT\MTR\CNVYR\CMF
11	4704559	1	SHLD\CPLR\CNVYR
12	4704561	1	BRKT\CYL\CNVYR\CMFWELD
13	4704562	1	CNVYR\EXTWELD
14	4704576	1	SHAFT\ASSY\CNVYR\CMF
15	4704581	1	IDLER\ASSY\CNVYR\CMF
16	4704584	9	SLAT\CHAIN\EXT\CNVYR
17	4704585	2	BRG\ASSY\CNVYR\CMF
18	4704590	1	EXT\SIDE\CNVYR\RH
19	4704591	1	EXT\SIDE\CNVYR\LH
20	4800003	5	BOLT\HEX\3/8X1
21	4800013	2	BOLT\HEX\5/16X1
22	4800053	4	BOLT\CRG\3/8X1\NC
23	4800061	4	BOLT\CRG\1/2X1-1/2\NC
24	4800143	8	SCR\SET\ALN\3/8X3/8\NC
25	4800178	2	BOLT\HEX\1/2X1-3/4
26	4800318	2	SCR\SET\ALN\5/16X3/4\NC
27	4800393	36	BOLT\HEX\5/16X7/8\GR8
28	4800394	8	BOLT\CRG\3/8X3/4\NC
29	4800474	4	BOLT\CRG\5/16X1-1/4\NC
30	4800643	4	BOLT\HEX\5/16X3/4
31	4900001	6	NUT\HEX\1/2\NC
32	4900002	4	NUT\HEX\3/8\NC
33	4900003	4	NUT\HEX\5/16\NC
34	4900033	2	NUT\JAM\5/16\NC
35	4900076	13	NUT\FLG\SERR\3/8\NC
36	4900099	40	NUT\TPLCK\5/16\GR8\NC
37	4900104	6	NUT\JAM\3/4\NC
38	4900108	2	NUT\FLG\SERR\5/16\NC
39	5000006	6	WASH\LOCK\1/2
40	5000019	4	WASH\LOCK\3/8
41	5000022	6	WASH\LOCK\5/16
42	5000023	2	WASH\FLAT\5/16
43	6200010	1	KEY\SQ\1/4X1
44	6200014	4	KEY\SQ\1/4X1-1/4
45	7501218	2	LATCH\DRAW\200LB

4704335

SIDE\LH\CNVYR\ASSY (COMPLETE)

**LEFT HAND DISCHARGE CONVEYOR ASSEMBLY
(FOR S.N. 700100048 AND UP)**



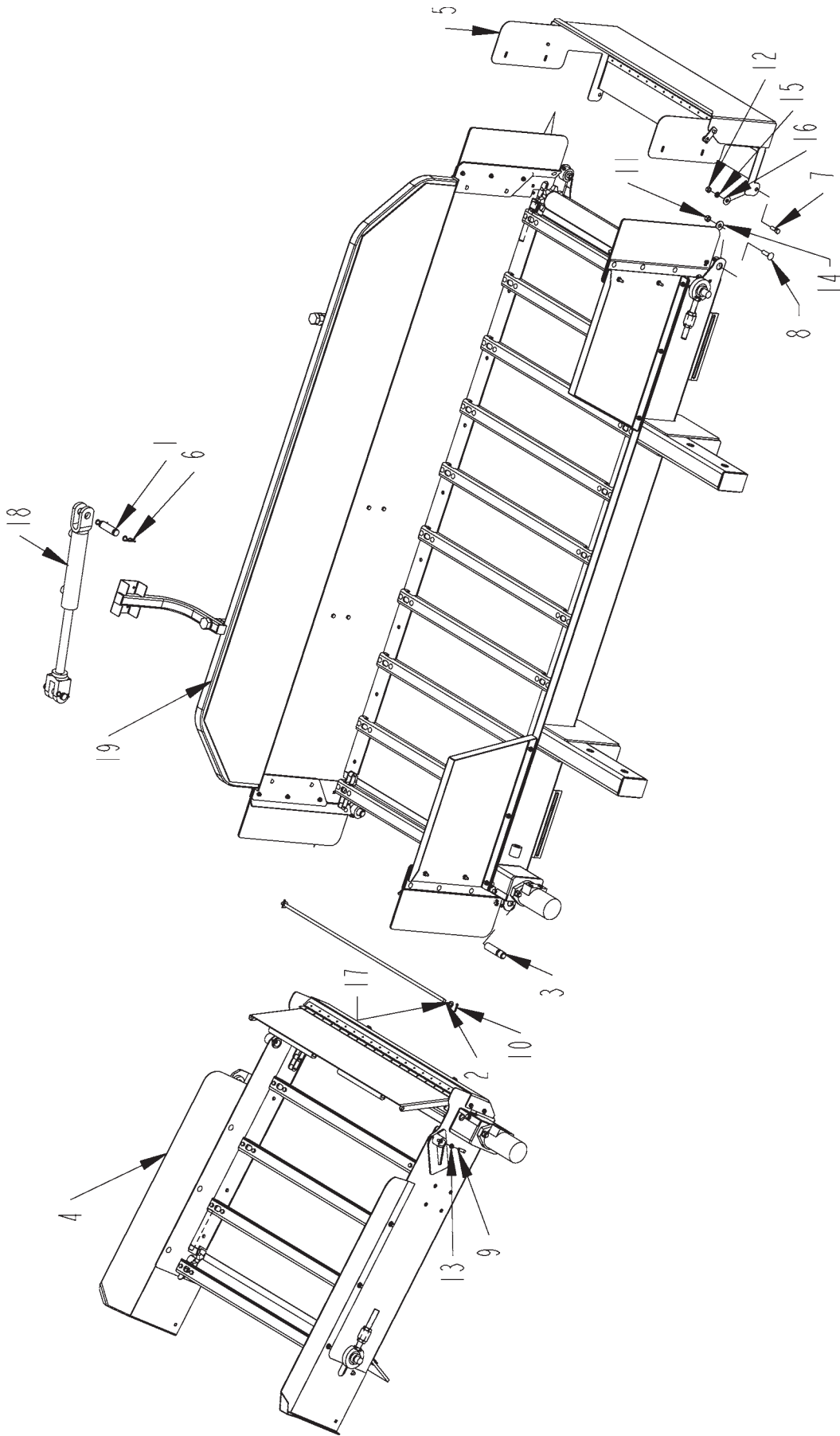
**LEFT HAND DISCHARGE CONVEYOR ASSEMBLY
(FOR S.N. 700100048 AND UP)**

ITEM	PART	QTY.	PART DESCRIPTION
1	1000055	2	SPKT\50\B\12\1\1/4KW
2	1100099	1	CHAIN\50DBL\CL
3	1100150	2	CHAIN\620CA\53\W\ATTCH
4	1100271	1	CHAIN\50DBL\11
5	2000310	2	BRG\FLG\CAST\1\2BOLT
6	3900025	1	MOTOR\HYD\17.9\H
7	4704325	1	FLAT\WIPER\CNVYR
8	4704327	2	GUARD\CNVYR
9	4704558	1	MNT\MTR\CNVYR\CMF
10	4704559	1	SHLD\CPLR\CNVYR
11	4704576	1	SHAFT\ASSY\CNVYR\CMF
12	4704581	1	IDLER\ASSY\CNVYR\CMF
13	4704583	2	MNT\BRG\CNVYR\CMF
14	4704584	9	SLAT\CHAIN\EXT\CNVYR
15	4704971	1	BRKT\CYL\EXT\CNVYR\CMF
16	4704992	1	CNVYR\EXT\WELD\CMF
17	4704993	1	PAN\TRANS\CNVYR
18	4704994	1	EXT\SIDE\CNVYR\RH
19	4704995	1	EXT\SIDE\CNVYR\LH
20	4800003	5	BOLT\HEX\3/8X1
21	4800013	2	BOLT\HEX\5/16X1
22	4800053	4	BOLT\CRG\3/8X1\NC
23	4800061	4	BOLT\CRG\1/2X1-1/2\NC
24	4800178	2	BOLT\HEX\1/2X1-3/4
25	4800393	36	BOLT\HEX\5/16X7/8\GR8
26	4800394	8	BOLT\CRG\3/8X3/4\NC
27	4800474	4	BOLT\CRG\5/16X1-1/4\NC
28	4801236	4	PIN\LYNCH\1/4X1-9/16\ZN_PLT
29	4900001	6	NUT\HEX\1/2\NC
30	4900002	4	NUT\HEX\3/8\NC
31	4900003	4	NUT\HEX\5/16\NC
32	4900076	13	NUT\FLG\SERR\3/8\NC
33	4900099	36	NUT\TPLCK\5/16\GR8\NC
34	4900104	6	NUT\JAM\3/4\NC
35	5000006	6	WASH\LOCK\1/2
36	5000019	4	WASH\LOCK\3/8
37	5000022	6	WASH\LOCK\5/16
38	5000023	2	WASH\FLAT\5/16
39	6200010	1	KEY\SQ\1/4X1

4704976

SIDE\LH\CNVYR\ASSY

**COMPLETE LEFT HAND DISCHARGE CONVEYOR ASSEMBLY
(FOR S.N. UP TO 700HJ0047)**



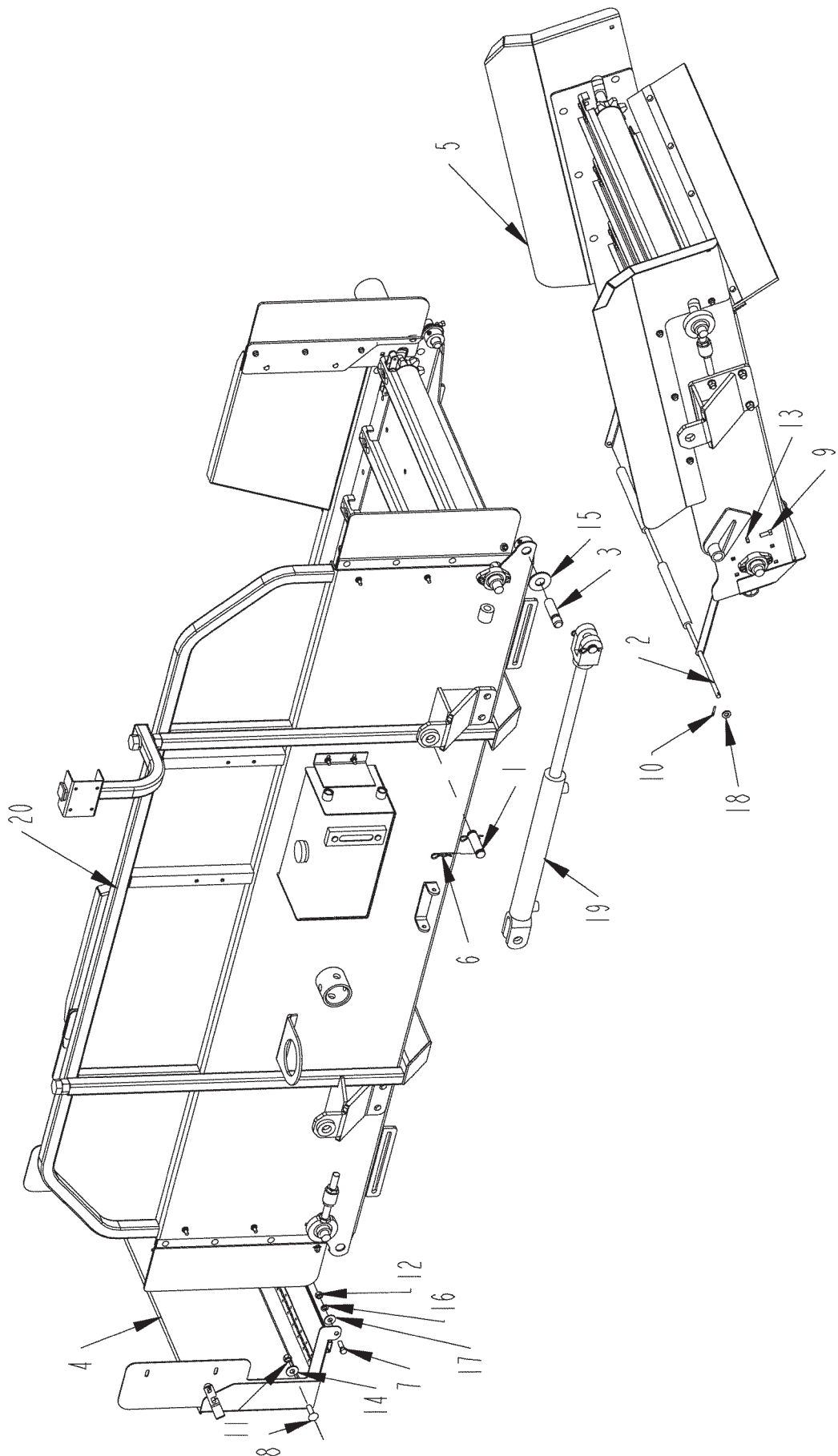
**COMPLETE LEFT HAND DISCHARGE CONVEYOR ASSEMBLY
(FOR S.N. UP TO 700HJ0047)**

ITEM	PART	QTY.	PART DESCRIPTION
1	4100030	2	PIN 1" X 3-1/2" HYD. CYL.
2	4704329	1	ROD\TRANS\CNVYR
3	4704330	2	PIN\SIDE\CNVYR
4	4704335	1	SIDE\LH\CNVYR\ASSY
5	4704593	1	GATE\END\CNVYR\ASSY
6	4800107	4	PIN\HAIR\1/8(#9)
7	4800160	2	BOLT\HEX\7/16X1-1/4
8	4800201	2	BOLT\CRG\1/2X1-3/4\NC\GR5
9	4800307	2	SCR\SET\SQ\3/8X1\NC
10	4800531	2	PIN\COT\3/16X3/4
11	4900014	2	NUT\TPLCK\1/2\NC
12	4900025	2	NUT\HEX\7/16\NC
13	4900026	2	NUT\JAM\3/8\NC
14	5000004	2	WASH\FLAT\1/2
15	5000015	2	WASH\LOCK\7/16
16	5000016	2	WASH\FLAT\7/16
17	5000123	2	WASH\FLAT\7/16\EXTRTHK\GR8
18	4100226	1	CYL\HYD\2X8\1-1/4RD\WELDE
19	4704578	1	CNVYR\ASSY\MAIN\CMF

4704588

CNVYR\ASSY\MAIN\CMF

**COMPLETE LEFT HAND DISCHARGE CONVEYOR ASSEMBLY
(FOR S.N. 700100048 AND UP)**



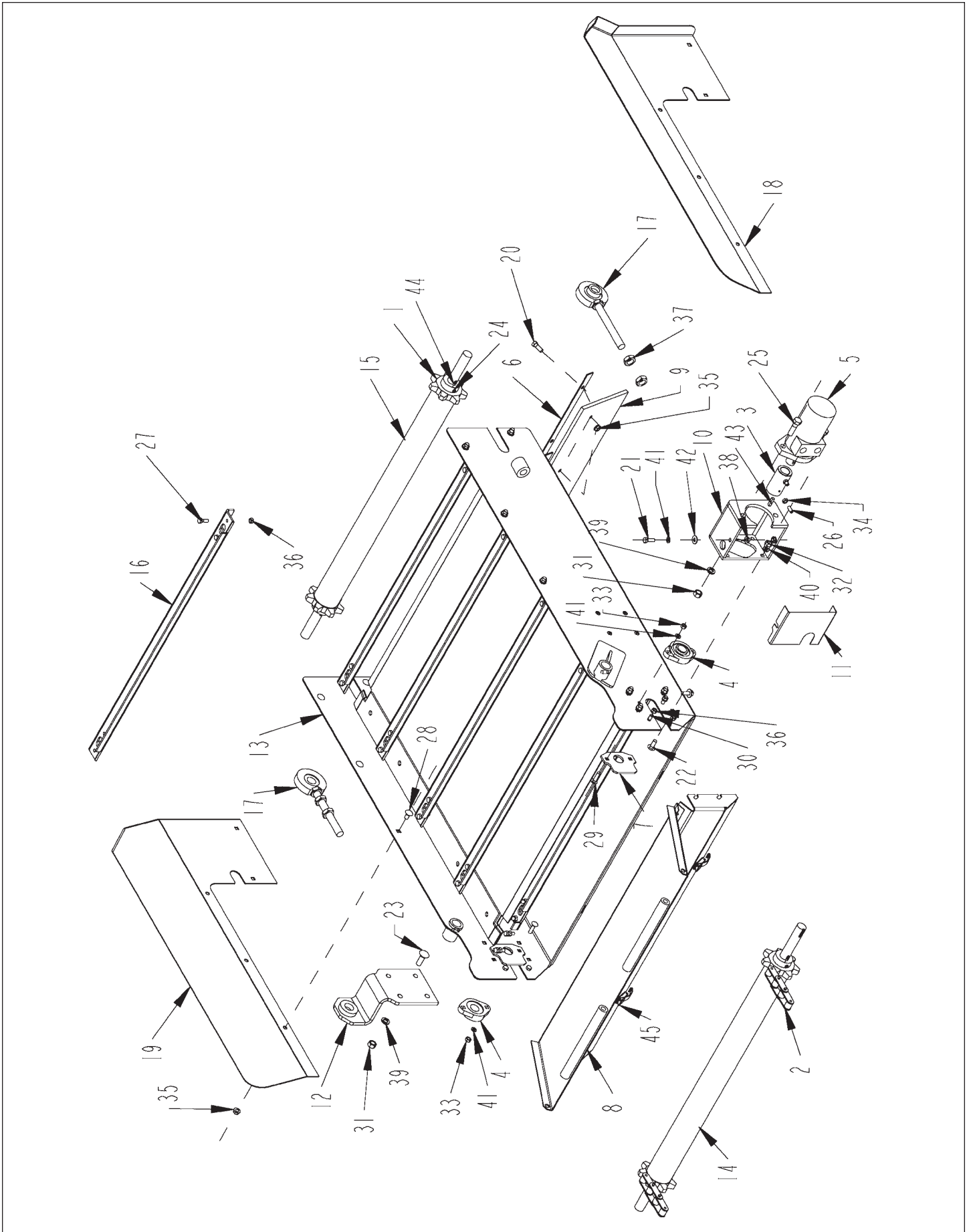
**COMPLETE LEFT HAND DISCHARGE CONVEYOR ASSEMBLY
(FOR S.N. 700100048 AND UP)**

ITEM	PART	QTY.	PART DESCRIPTION
1	4100030	2	PIN 1" X 3-1/2" HYD. CYL.
2	4704329	1	ROD\TRANS\CNVYR
3	4704330	2	PIN\SIDE\CNVYR
4	4704593	1	GATE\END\CNVYR\ASSY
5	4704976	1	SIDE\LH\CNVYR\ASSY
6	4800107	4	PIN\HAIR\1/8(#9)
7	4800160	2	BOLT\HEX\7/16X1-1/4
8	4800201	2	BOLT\CRG\1/2X1-3/4\NC\GR5
9	4800307	2	SCR\SET\SQ\3/8X1\NC
10	4800531	2	PIN\COT\3/16X3/4
11	4900014	2	NUT\TPLCK\1/2\NC
12	4900025	2	NUT\HEX\7/16\NC
13	4900026	2	NUT\JAM\3/8\NC
14	5000004	2	WASH\FLAT\1/2
15	5000014	2	WASH\FLAT\1
16	5000015	2	WASH\LOCK\7/16
17	5000016	2	WASH\FLAT\7/16
18	5000123	2	WASH\FLAT\7/16\EXTRTHK\GR8
19	4100284	1	CYL\HYD\2X16\1-1/4RD\WELDE
20	4704972	1	CNVYR\ASSY\MAIN\CMF\LH

4704978

CMF\CNVYR\W\LH_EXT

**RIGHT HAND DISCHARGE CONVEYOR ASSEMBLY
(FOR S.N. UP TO 700HJ0047)**



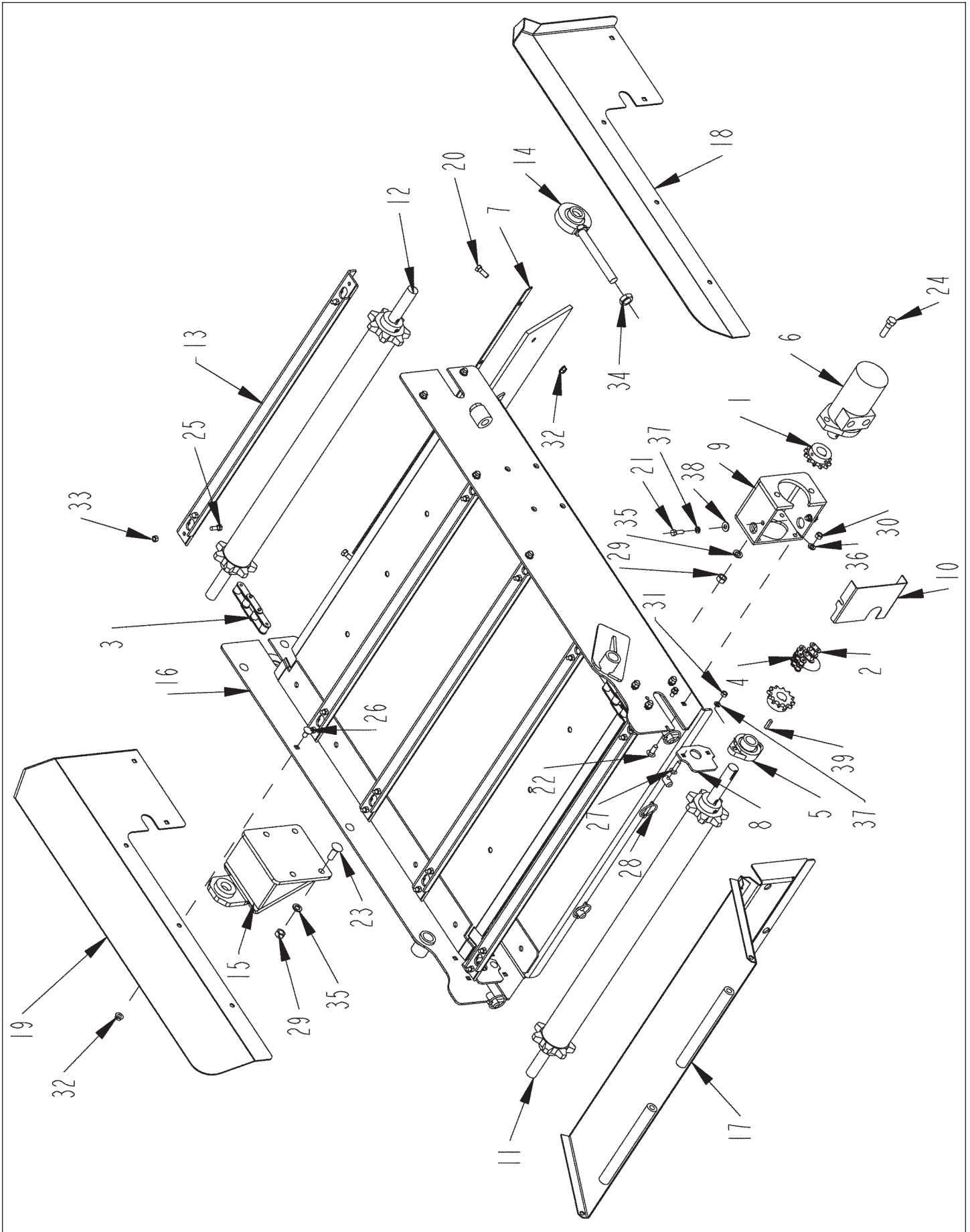
**RIGHT HAND DISCHARGE CONVEYOR ASSEMBLY
(FOR S.N. UP TO 700HJ0047)**

ITEM	PART	QTY.	PART DESCRIPTION
1	1000089	4	SPKT\662\7\1\1/4KW\DR
2	1100150	2	CHAIN\620CA\53\W\ATTCH
3	1400586	1	COUPLER\SHAFT\1" ID\3" LONG
4	2000310	2	BRG\FLG\CAST\1\2BOLT
5	3900025	1	MOTOR\HYD\17.9\H\AMNT\7/8FOR\1SHFT
6	4704325	1	FLAT\WIPER\CNVYR
7	4704327	2	GUARD\CNVYR
8	4704328	1	PAN\TRANS\CNVYR
9	4704391	1	BELT\DEFL\EXT\CNVYR
10	4704558	1	MNT\MTR\CNVYR\CMF
11	4704559	1	SHLD\CPLR\CNVYR
12	4704561	1	BRKT\CYL\CNVYR\CMFWELD
13	4704562	1	CNVYR\EXTWELD
14	4704576	1	SHAFT\ASSY\CNVYR\CMF
15	4704581	1	IDLER\ASSY\CNVYR\CMF
16	4704584	9	SLAT\CHAIN\EXT\CNVYR
17	4704585	2	BRG\ASSY\CNVYR\CMF
18	4704590	1	EXT\SIDE\CNVYR\RH
19	4704591	1	EXT\SIDE\CNVYR\LH
20	4800003	5	BOLT\HEX\3/8X1
21	4800013	2	BOLT\HEX\5/16X1
22	4800053	4	BOLT\CRG\3/8X1\NC
23	4800061	4	BOLT\CRG\1/2X1-1/2\NC
24	4800143	8	SCR\SET\ALN\3/8X3/8\NC
25	4800178	2	BOLT\HEX\1/2X1-3/4
26	4800318	2	SCR\SET\ALN\5/16X3/4\NC
27	4800393	36	BOLT\HEX\5/16X7/8\GR8
28	4800394	8	BOLT\CRG\3/8X3/4\NC
29	4800474	4	BOLT\CRG\5/16X1-1/4\NC
30	4800643	4	BOLT\HEX\5/16X3/4
31	4900001	6	NUT\HEX\1/2\NC
32	4900002	4	NUT\HEX\3/8\NC
33	4900003	4	NUT\HEX\5/16\NC
34	4900033	2	NUT\JAM\5/16\NC
35	4900076	13	NUT\FLG\SERR\3/8\NC
36	4900099	40	NUT\TPLCK\5/16\GR8\NC
37	4900104	6	NUT\JAM\3/4\NC
38	4900108	2	NUT\FLG\SERR\5/16\NC
39	5000006	6	WASH\LOCK\1/2
40	5000019	4	WASH\LOCK\3/8
41	5000022	6	WASH\LOCK\5/16
42	5000023	2	WASH\FLAT\5/16
43	6200010	1	KEY\SQ\1/4X1
44	6200014	4	KEY\SQ\1/4X1-1/4
45	7501218	2	LATCH\DRAW\200LB

4704321

SIDE\RH\CNVYR\ASSY (COMPLETE)

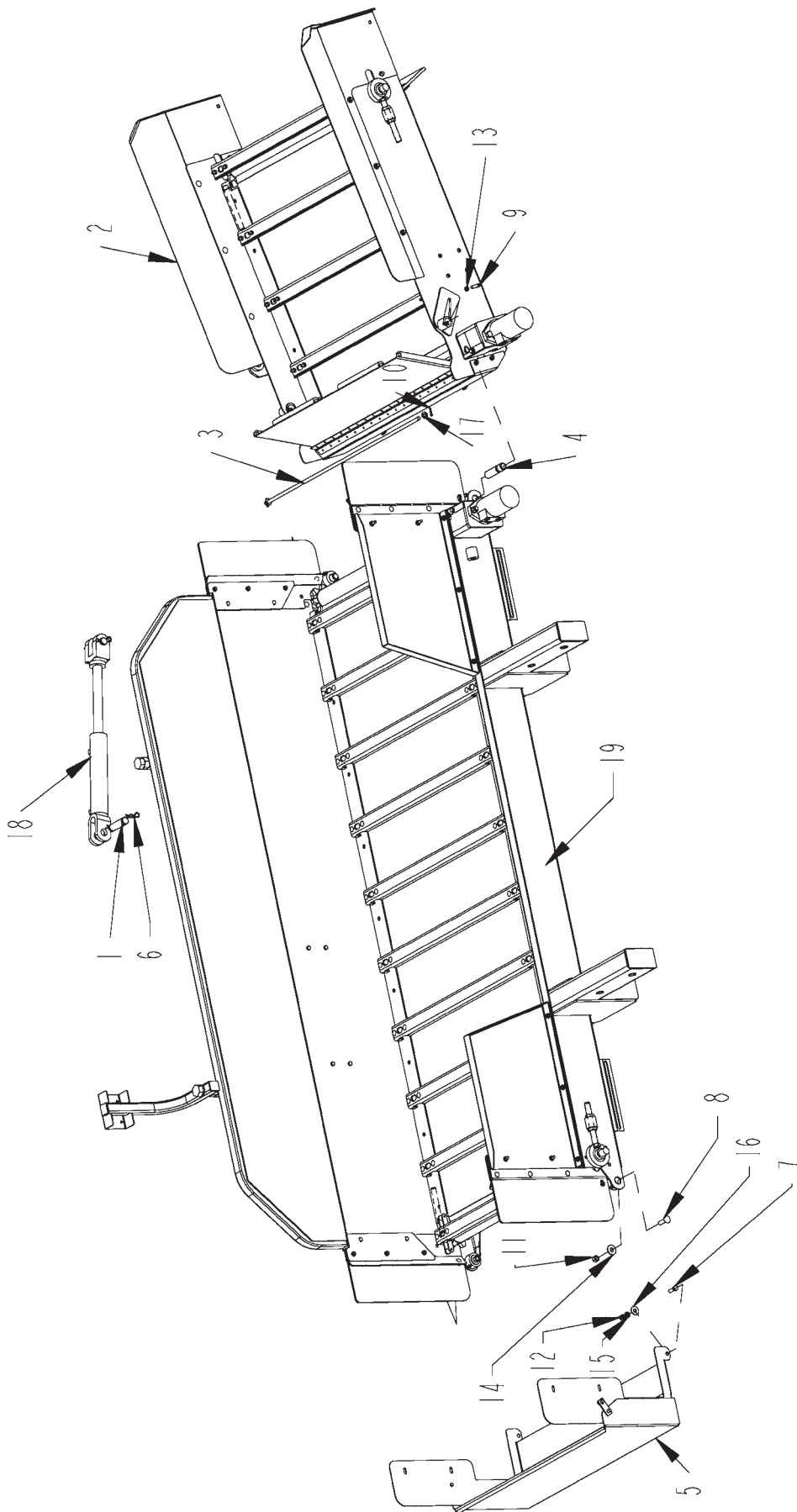
**RIGHT HAND DISCHARGE CONVEYOR ASSEMBLY
(FOR S.N. 700100048 AND UP)**



**RIGHT HAND DISCHARGE CONVEYOR ASSEMBLY
(FOR S.N. 700100048 AND UP)**

ITEM	PART	QTY.	PART DESCRIPTION
1	1000055	2	SPKT\50\B\12\1\1/4KW
2	1100099	1	CHAIN\50DBL\CL
3	1100150	2	CHAIN\620CA\53\W\ATTCH
4	1100271	1	CHAIN\50DBL\11
5	2000310	2	BRG\FLG\CAST\1\2BOLT
6	3900025	1	MOTOR\HYD\17.9\H
7	4704325	1	FLAT\WIPER\CNVYR
8	4704327	2	GUARD\CNVYR
9	4704558	1	MNT\MTR\CNVYR\CMF
10	4704559	1	SHLD\CPLR\CNVYR
11	4704576	1	SHAFT\ASSY\CNVYR\CMF
12	4704581	1	IDLER\ASSY\CNVYR\CMF
13	4704584	9	SLAT\CHAIN\EXT\CNVYR
14	4704585	2	BRG\ASSY\CNVYR\CMF
15	4704971	1	BRKT\CYL\EXT\CNVYR\CMF
16	4704992	1	CNVYR\EXT\WELD\CMF
17	4704993	1	PAN\TRANS\CNVYR
18	4704994	1	EXT\SIDE\CNVYR\RH
19	4704995	1	EXT\SIDE\CNVYR\LH
20	4800003	5	BOLT\HEX\3/8X1
21	4800013	2	BOLT\HEX\5/16X1
22	4800053	4	BOLT\CRG\3/8X1\NC
23	4800061	4	BOLT\CRG\1/2X1-1/2\NC
24	4800178	2	BOLT\HEX\1/2X1-3/4
25	4800393	36	BOLT\HEX\5/16X7/8\GR8
26	4800394	8	BOLT\CRG\3/8X3/4\NC
27	4800474	4	BOLT\CRG\5/16X1-1/4\NC
28	4801236	4	PIN\LYNCH\1/4X1-9/16\ZN_PLT
29	4900001	6	NUT\HEX\1/2\NC
30	4900002	4	NUT\HEX\3/8\NC
31	4900003	4	NUT\HEX\5/16\NC
32	4900076	13	NUT\FLG\SERR\3/8\NC
33	4900099	36	NUT\TPLCK\5/16\GR8\NC
34	4900104	6	NUT\JAM\3/4\NC
35	5000006	6	WASH\LOCK\1/2
36	5000019	4	WASH\LOCK\3/8
37	5000022	6	WASH\LOCK\5/16
38	5000023	2	WASH\FLAT\5/16
39	6200010	1	KEY\SQ\1/4X1
	4704975		SIDE\RH\CNVYR\ASSY

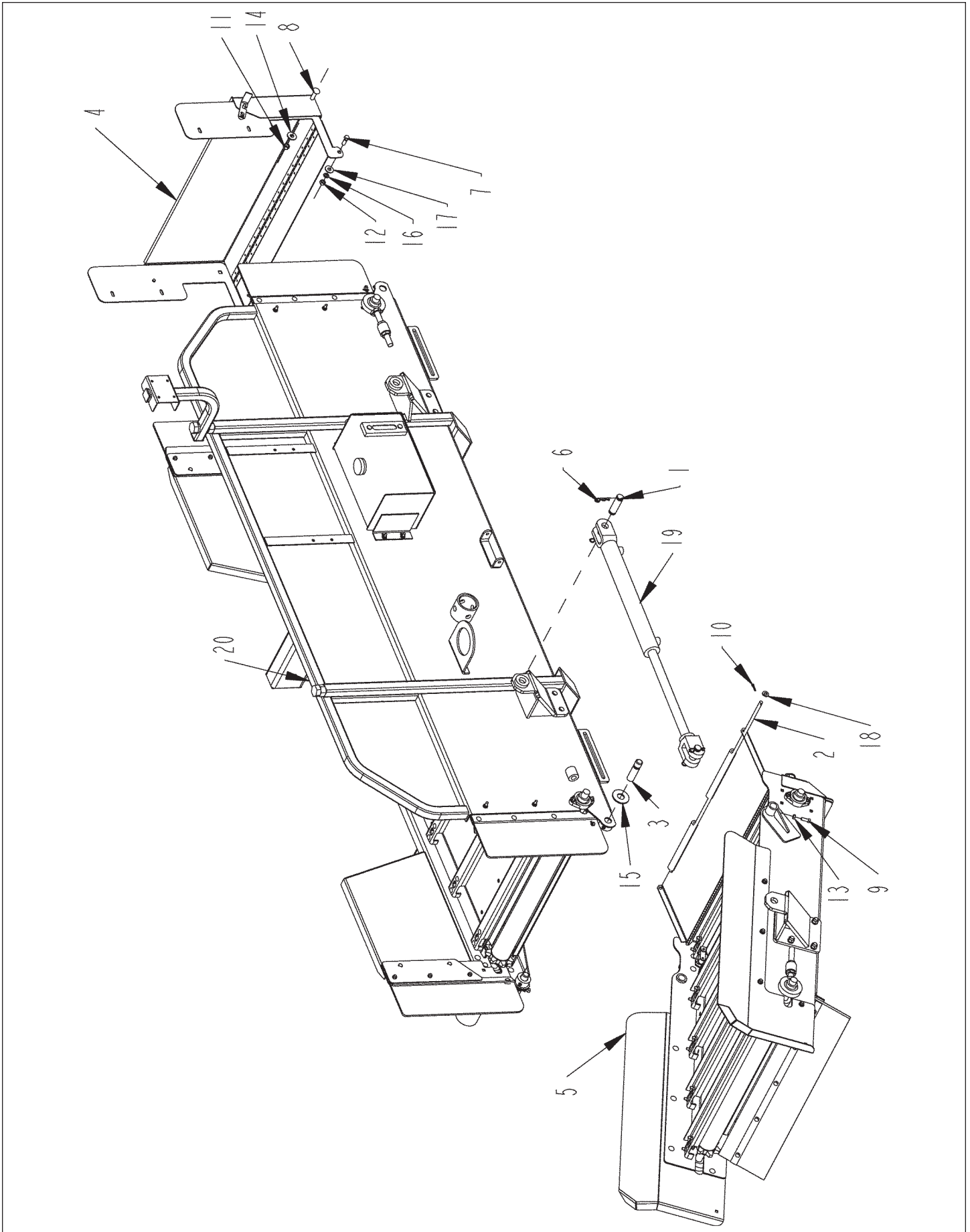
**COMPLETE RIGHT HAND DISCHARGE CONVEYOR ASSEMBLY
(FOR S.N. UP TO 700HJ0047)**



**COMPLETE RIGHT HAND DISCHARGE CONVEYOR ASSEMBLY
(FOR S.N. UP TO 700HJ0047)**

ITEM	PART	QTY.	PART DESCRIPTION
1	4100030	2	PIN 1" X 3-1/2" HYD. CYL.
2	4704321	1	SIDE\RH\CNVYR\ASSY
3	4704329	1	ROD\TRANS\CNVYR
4	4704330	2	PIN\SIDE\CNVYR
5	4704593	1	GATE\END\CNVYR\ASSY
6	4800107	4	PIN\HAIR\1/8(#9)
7	4800160	2	BOLT\HEX\7/16X1-1/4
8	4800201	2	BOLT\CRG\1/2X1-3/4\NC\GR5
9	4800307	2	SCR\SET\SQ\3/8X1\NC
10	4800531	2	PIN\COT\3/16X3/4
11	4900014	2	NUT\TPLCK\1/2\NC
12	4900025	2	NUT\HEX\7/16\NC
13	4900026	2	NUT\JAM\3/8\NC
14	5000004	2	WASH\FLAT\1/2
15	5000015	2	WASH\LOCK\7/16
16	5000016	2	WASH\FLAT\7/16
17	5000123	2	WASH\FLAT\7/16\EXTRTHK\GR8
18	4100226	1	CYL\HYD\2X8\1-1/4RD\WELDE
19	4704586	1	CNVYR\ASSY\MAIN\CMF
	4704587		CNVYR\CMF\RH_DISCH

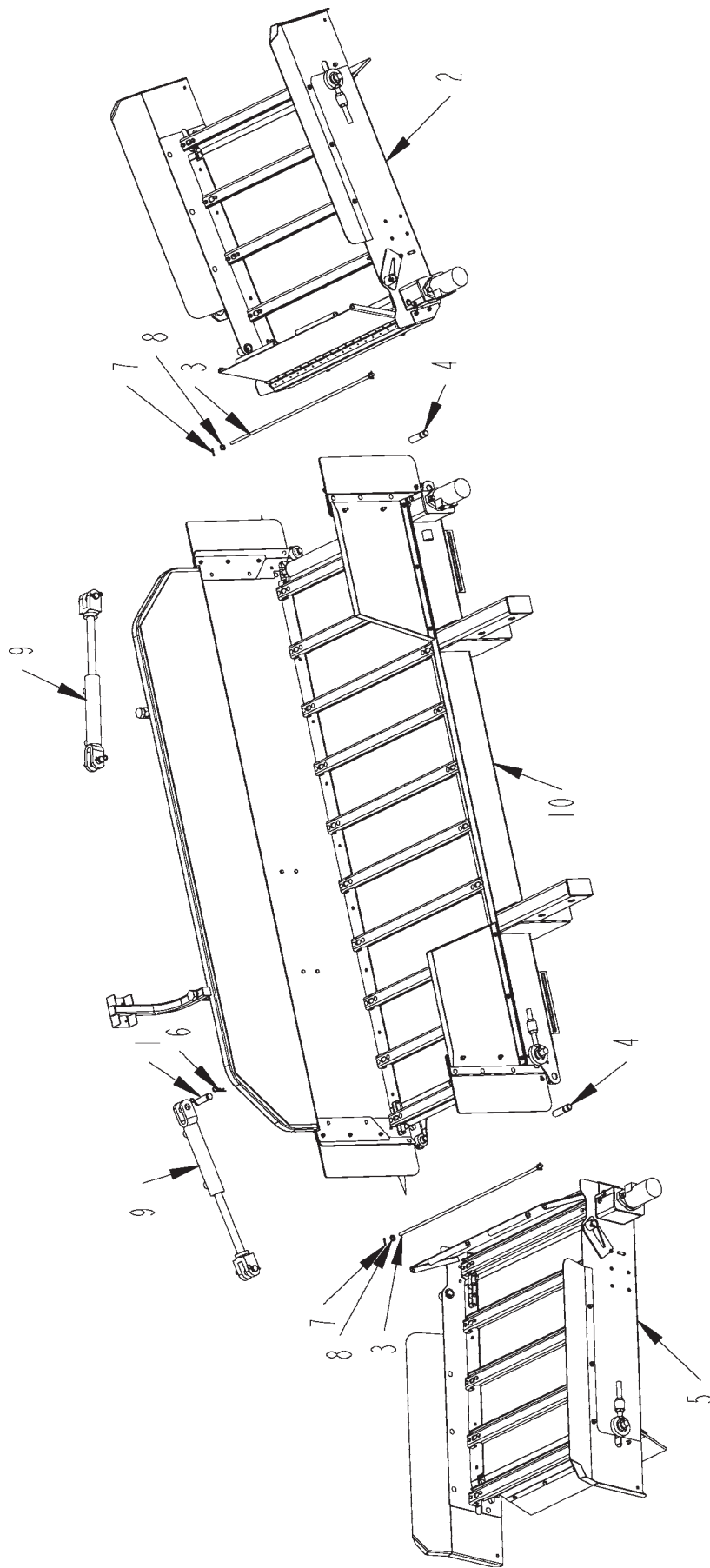
**COMPLETE RIGHT HAND DISCHARGE CONVEYOR ASSEMBLY
(FOR S.N. 700100048 AND UP)**



**COMPLETE RIGHT HAND DISCHARGE CONVEYOR ASSEMBLY
(FOR S.N. 700100048 AND UP)**

ITEM	PART	QTY.	PART DESCRIPTION
1	4100030	2	PIN 1" X 3-1/2" HYD. CYL.
2	4704329	1	ROD\TRANS\CNVYR
3	4704330	2	PIN\SIDE\CNVYR
4	4704593	1	GATE\END\CNVYR\ASSY
5	4704975	1	SIDE\RH\CNVYR\ASSY
6	4800107	4	PIN\HAIR\1/8(#9)
7	4800160	2	BOLT\HEX\7/16X1-1/4
8	4800201	2	BOLT\CRG\1/2X1-3/4\NC\GR5
9	4800307	2	SCR\SET\SQ\3/8X1\NC
10	4800531	2	PIN\COT\3/16X3/4
11	4900014	2	NUT\TPLCK\1/2\NC
12	4900025	2	NUT\HEX\7/16\NC
13	4900026	2	NUT\JAM\3/8\NC
14	5000004	2	WASH\FLAT\1/2
15	5000014	2	WASH\FLAT\1
16	5000015	2	WASH\LOCK\7/16
17	5000016	2	WASH\FLAT\7/16
18	5000123	2	WASH\FLAT\7/16\EXTRTHK\GR8
19	4100284	1	CYL\HYD\2X16\1-1/4RD\WELDE
20	4704973	1	CNVYR\ASSY\MAIN\CMF\RH
	4704977		CNVYR\ASSY\W\RH_EXT

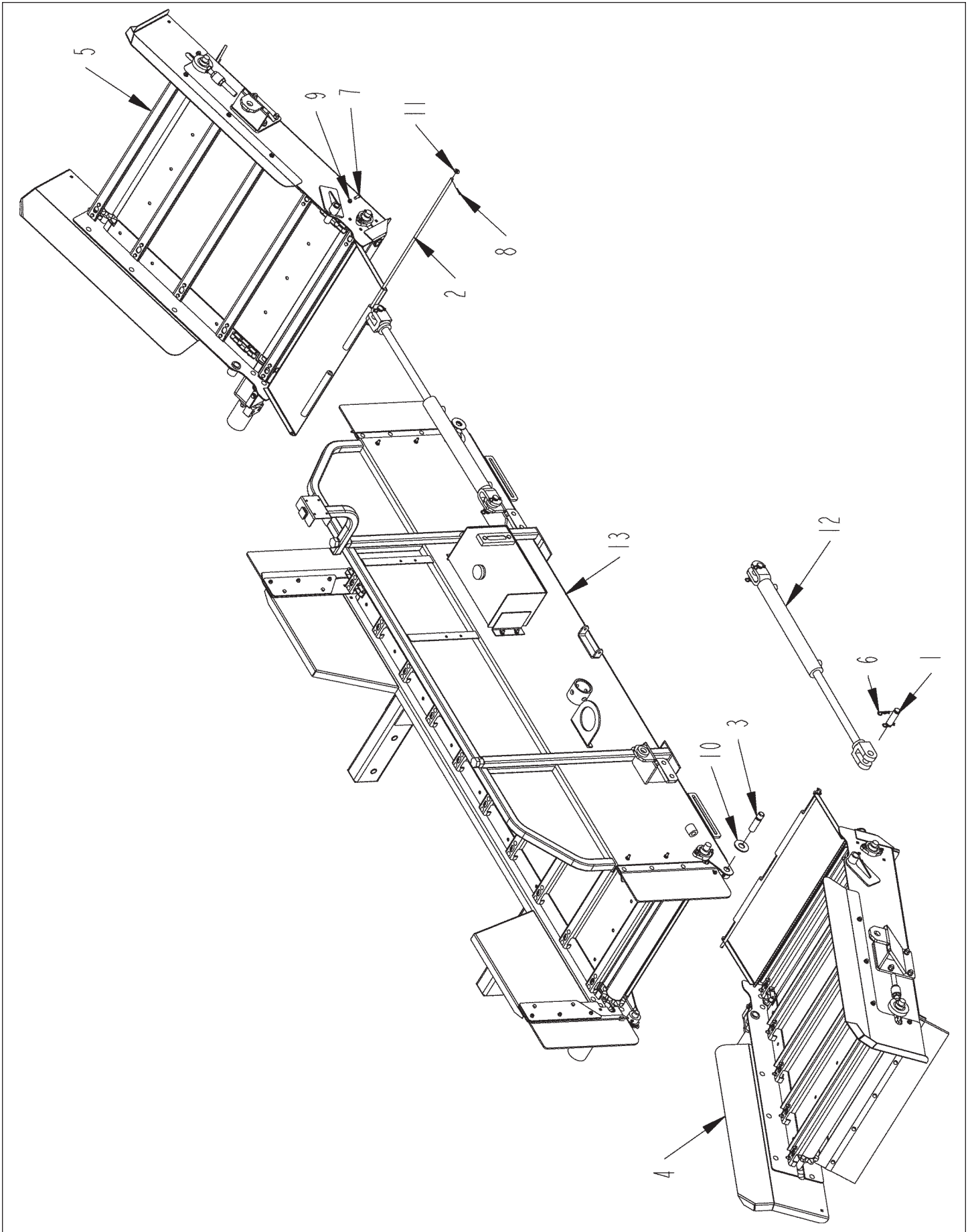
**DUAL DISCHARGE CONVEYOR ASSEMBLY (OPTION)
(FOR S.N. UP TO 700HJ0047)**



**DUAL DISCHARGE CONVEYOR ASSEMBLY (OPTION)
(FOR S.N. UP TO 700HJ0047)**

ITEM	PART	QTY.	PART DESCRIPTION
1	4100030	4	PIN 1" X 3-1/2" HYD. CYL.
2	4704321	1	SIDE\RH\CNVYR\ASSY
3	4704329	2	ROD\TRANS\CNVYR
4	4704330	4	PIN\SIDE\CNVYR
5	4704335	1	SIDE\LH\CNVYR\ASSY
6	4800107	8	PIN\HAIR\1/8(#9)
7	4800531	4	PIN\COT\3/16X3/4
8	5000123	4	WASH\FLAT\7/16\EXTRTHK\GR8
9	4100226	2	CYL\HYD\2X8\1-1/4RD\WELDE
10	4704586	1	CNVYR\ASSY\MAIN\CMF
	4704589		CNVYR\CMF\DUAL

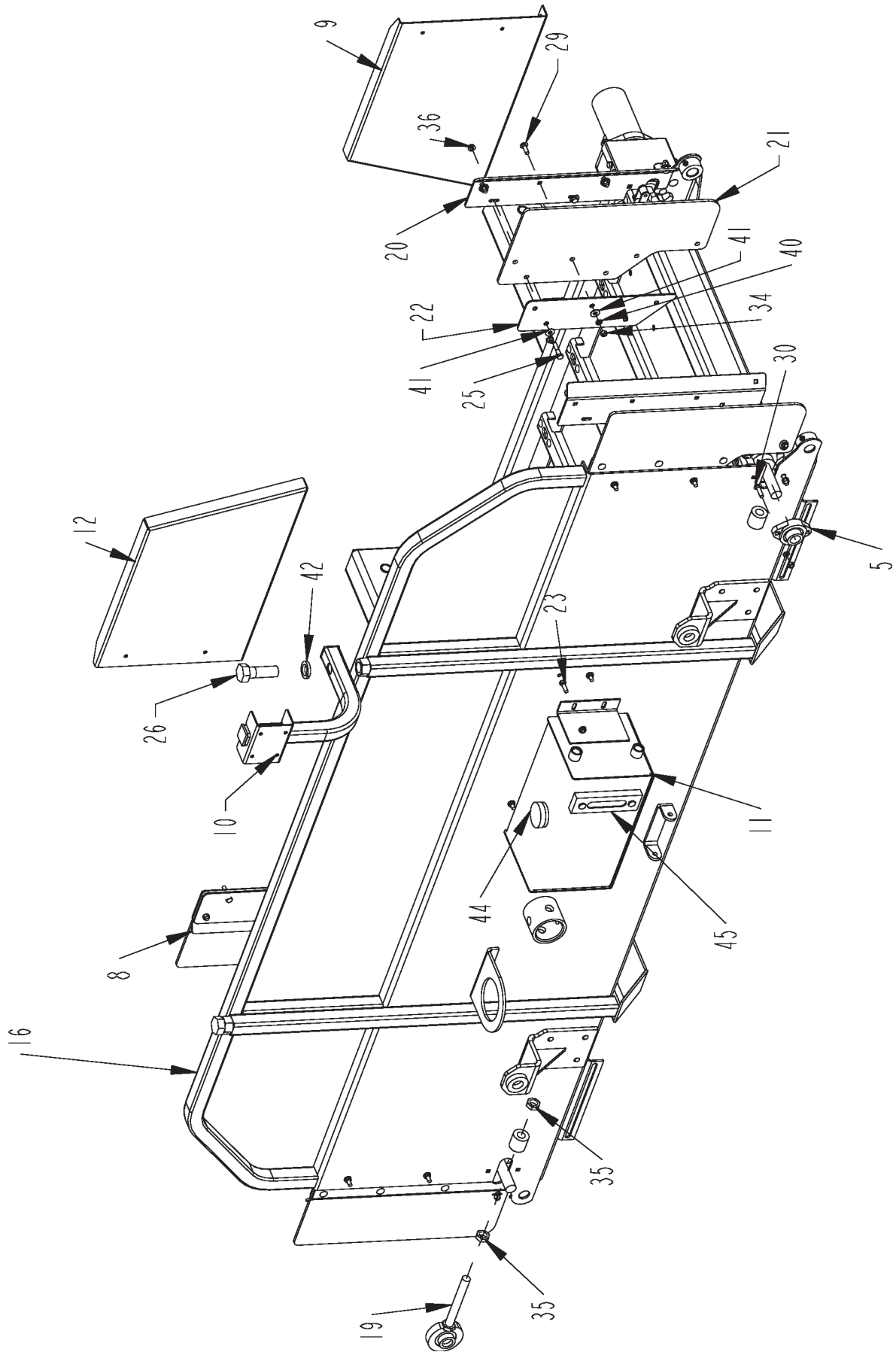
**DUAL DISCHARGE CONVEYOR ASSEMBLY (OPTION)
(FOR S.N. 700100048 AND UP)**



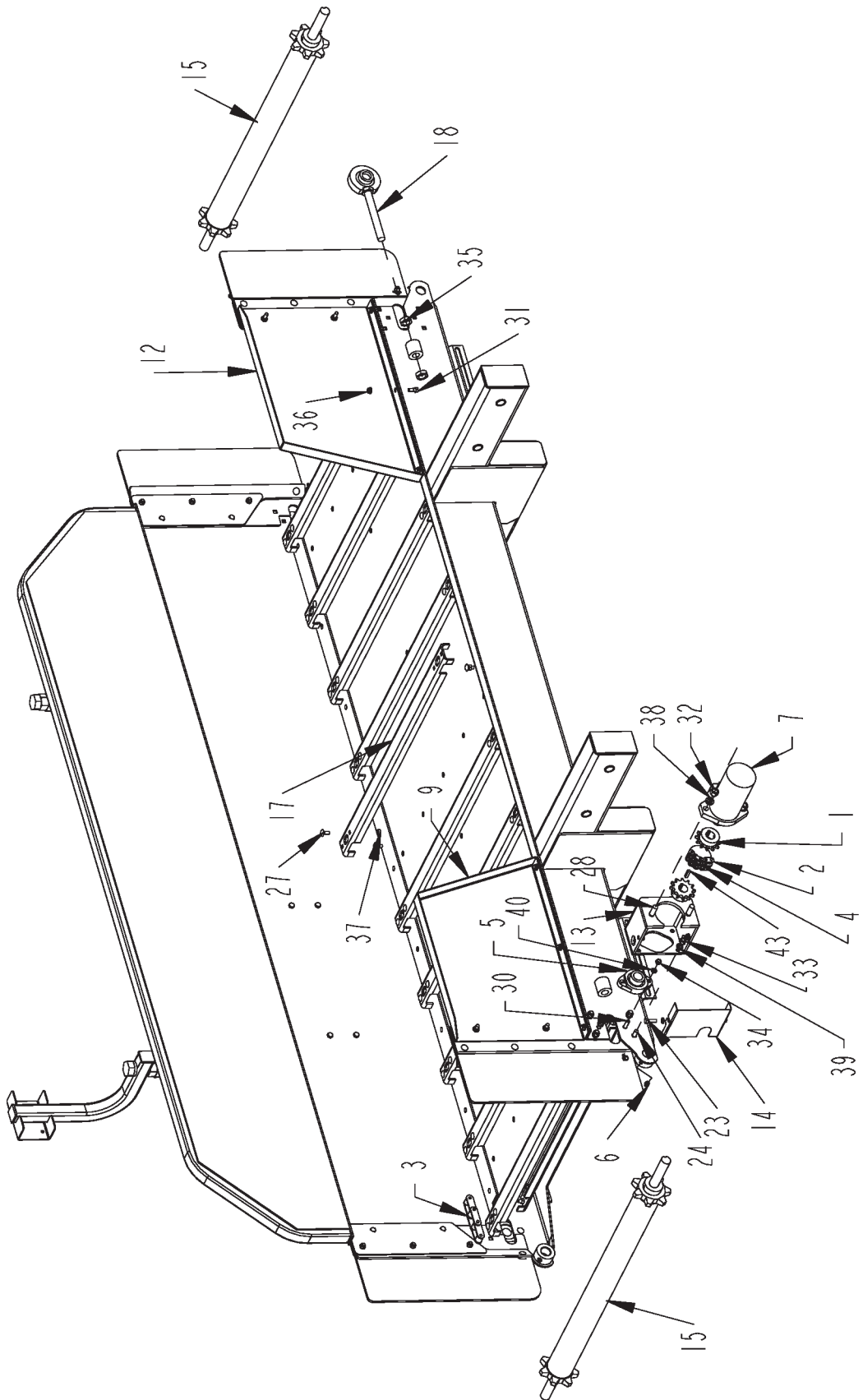
**DUAL DISCHARGE CONVEYOR ASSEMBLY (OPTION)
(FOR S.N. 700100048 AND UP)**

ITEM	PART	QTY.	PART DESCRIPTION
1	4100030	4	PIN 1" X 3-1/2" HYD. CYL.
2	4704329	2	ROD\TRANS\CNVYR
3	4704330	4	PIN\SIDE\CNVYR
4	4704975	1	SIDE\RH\CNVYR\ASSY
5	4704976	1	SIDE\LH\CNVYR\ASSY
6	4800107	8	PIN\HAIR\1/8(#9)
7	4800307	4	SCR\SET\SQ\3/8X1\NC
8	4800531	4	PIN\COT\3/16X3/4
9	4900026	4	NUT\JAM\3/8\NC
10	5000014	4	WASH\FLAT\1
11	5000123	4	WASH\FLAT\7/16\EXTRTHK\GR8
12	4100284	2	CYL\HYD\2X16\1-1/4RD\WELDE
13	4704973	1	CNVYR\ASSY\MAIN\CMF\RH
	4704979		CMF\CNVYR\DUAL_EXT

**MAIN CONVEYOR ASSEMBLY-4704586 - SUB ASSEMBLY 1
(USE W/ DUAL & RH DISCHARGE)
(FOR S.N. UP TO 700HJ0047)**



**MAIN CONVEYOR ASSEMBLY-4704586 - SUB ASSEMBLY 2
 (USE W/ DUAL & RH DISCHARGE)
 (FOR S.N. UP TO 700HJ0047)**





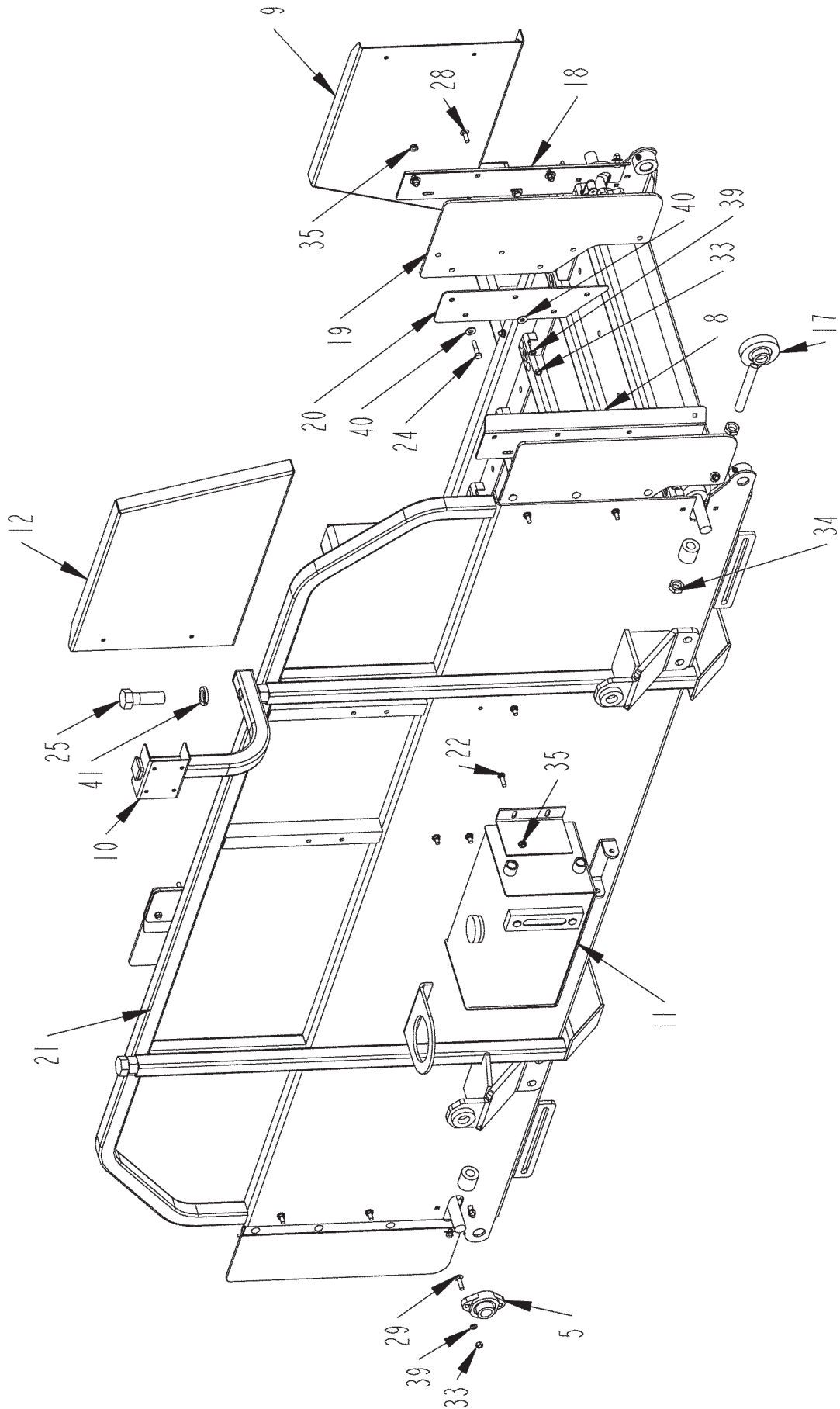
**MAIN CONVEYOR ASSEMBLY-4704586 PARTS LIST
(FOR S.N. UP TO 700HJ0047)**

ITEM	PART	QTY.	PART DESCRIPTION
1	1000055	2	SPKT\50\B\12\1\1/4KW
2	1100099	1	CHAIN\50DBL\CL
3	1100256	2	CHAIN\620CA\120\W\ATTCH
4	1100271	1	CHAIN\50DBL\11
5	2000310	2	BRG\FLG\CAST\1\2BOLT
6	3800043	4	FTG\LUB\1/8MPXZRK\SHORT
7	3900032	1	MOTOR\HYD\22.6\HAMNT\7/8FOR\1SHFT
8	4704375	2	SH\DEFL\MAIN\CNVYR\RH
9	4704378	1	EXT\MAIN\CNVYR\LH
10	4704388	1	BRKT\IND\SCALE
11	4704506	1	TANK\HYD\ASSY\CMF
12	4704519	1	EXT\MAIN\CNVYR\RH
13	4704558	1	MNT\MTR\CNVYR\CMF
14	4704559	1	SHLD\CPLR\CNVYR
15	4704576	2	SHAFT\ASSY\CNVYR\CMF
16	4704577	1	CNVYR\ASSY\TMR
17	4704580	20	SLAT\CHAIN\CNVYR\CMF
18	4704583	2	MNT\BRG\CNVYR\CMF
19	4704585	2	BRG\ASSY\CNVYR\CMF
20	4704592	2	SH\DEFL\MAIN\CNVYR\LH
21	4704598	4	BELT\GUIDE\MATL\HINGE
22	4704859	4	DBLR\BELT\GUIDE\MATL\HINGE
23	4800013	6	BOLT\HEX\5/16X1
24	4800053	4	BOLT\CRG\3/8X1\NC
25	4800081	8	BOLT\HEX\5/16X1-1/2
26	4800140	2	BOLT\HEX\1X3\NC
27	4800153	80	BOLT\CRG\5/16X3/4\NC
28	4800178	2	BOLT\HEX\1/2X1-3/4
29	4800473	16	BOLT\CRG\5/16X1\NC
30	4800474	4	BOLT\CRG\5/16X1-1/4\NC
31	4800643	6	BOLT\HEX\5/16X3/4
32	4900001	2	NUT\HEX\1/2\NC
33	4900002	4	NUT\HEX\3/8\NC
34	4900003	20	NUT\HEX\5/16\NC
35	4900104	6	NUT\JAM\3/4\NC
36	4900108	20	NUT\FLG\SERR\5/16\NC
37	4900142	78	NUT\TPLCK\5/16\NC
38	5000006	2	WASH\LOCK\1/2
39	5000019	4	WASH\LOCK\3/8
40	5000022	22	WASH\LOCK\5/16
41	5000023	24	WASH\FLAT\5/16
42	5000053	1	WASH\LOCK\1
43	6200010	1	KEY\SQ\1/4X1
44	7500275	1	CAP\VENTED\TANK\OIL
45	7501242	1	GAUGE\LEVEL\5\M12\NOTHERMOMETER

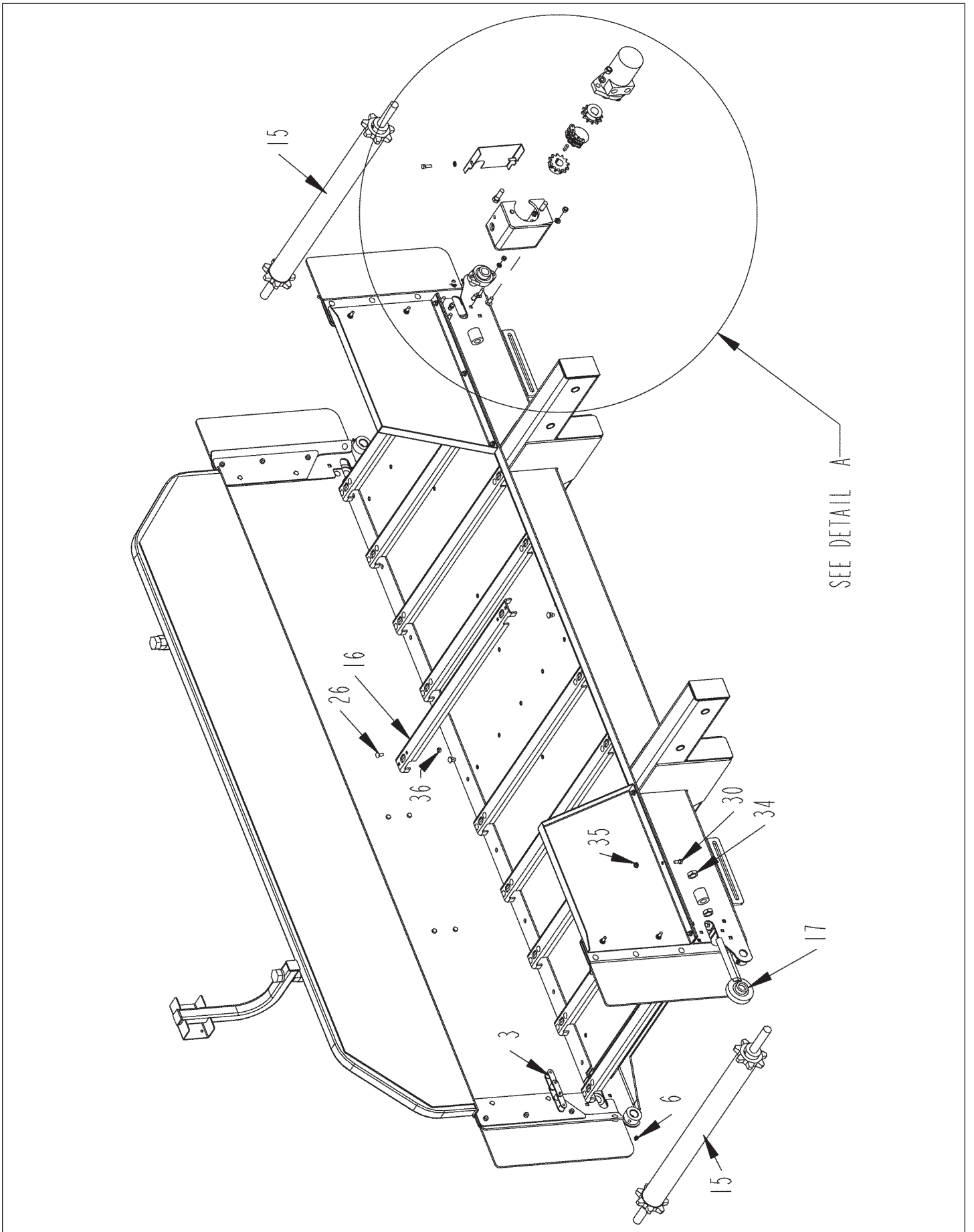
4704586

CNVYR\ASSY\MAIN\CMF

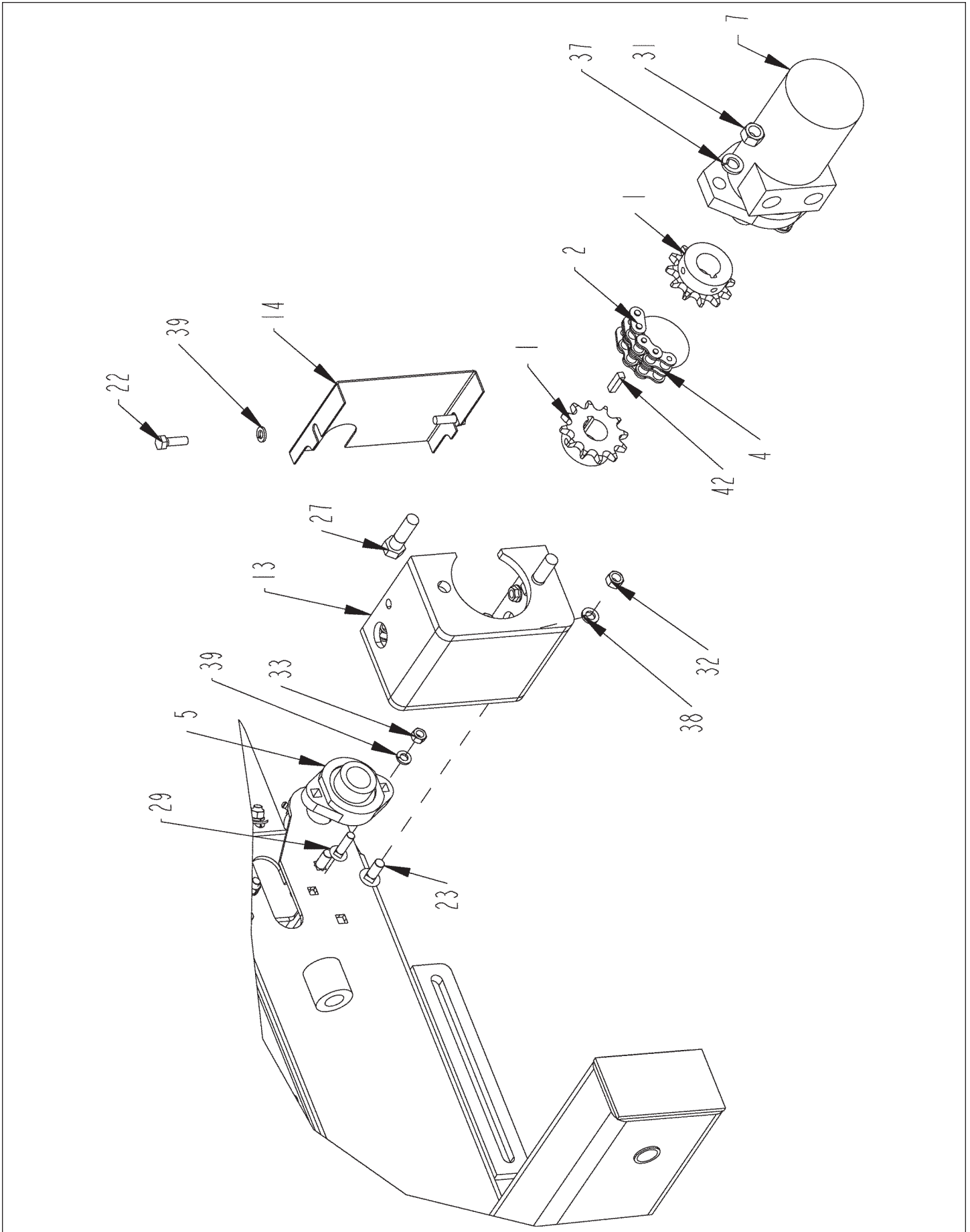
**MAIN CONVEYOR ASSEMBLY-4704973 - SUB ASSEMBLY 1
(USE W/ DUAL & RH DISCHARGE)
(FOR S.N. 700100048 AND UP)**



**MAIN CONVEYOR ASSEMBLY-4704973 - SUB ASSEMBLY 2
(USE W/ DUAL & RH DISCHARGE)
(FOR S.N. 700100048 AND UP)**



MAIN CONVEYOR ASSEMBLY-4704973 - DETAIL A
(USE W/ DUAL & RH DISCHARGE)
(FOR S.N. 700100048 AND UP)



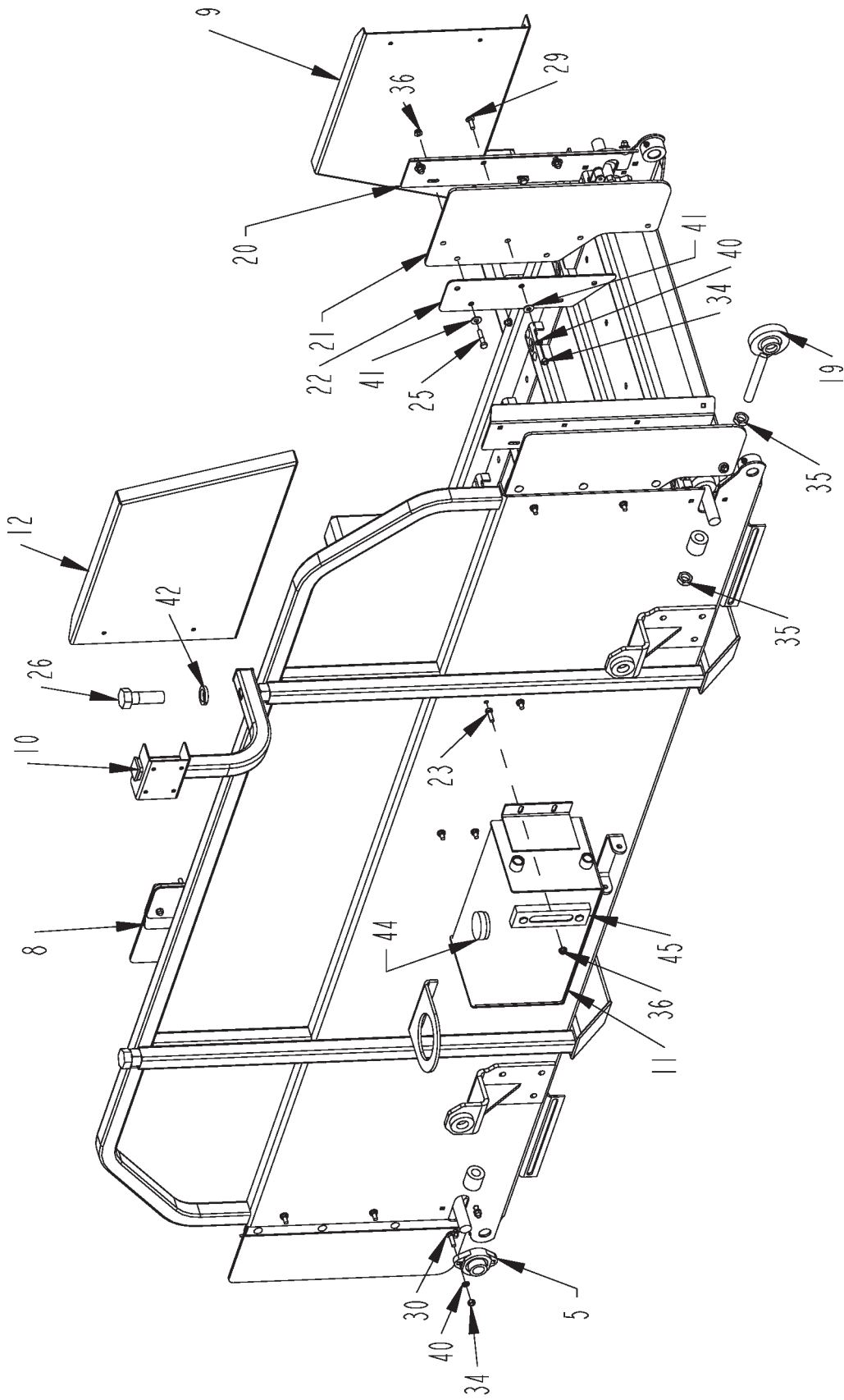
**MAIN CONVEYOR ASSEMBLY-4704973 - PARTS LIST
(USE W/ DUAL & RH DISCHARGE)
(FOR S.N. 700100048 AND UP)**

ITEM	PART	QTY.	PART DESCRIPTION
1	1000055	2	SPKT\50\B\12\1\1/4KW
2	1100099	1	CHAIN\50DBL\CL
3	1100256	2	CHAIN\620CA\120\W\ATTCH
4	1100271	1	CHAIN\50DBL\11
5	2000310	2	BRG\FLG\CAST\1\2BOLT
6	3800043	4	FTG\LUB\1/8MPXZRK\SHORT
7	3900032	1	MOTOR\HYD\22.6\HAMNT\7/8FOR\1SHFT
8	4704375	2	SH\DEFL\MAIN\CNVYR\RH
9	4704378	1	EXT\MAIN\CNVYR\LH
10	4704388	1	BRKT\IND\SCALE
11	4704506	1	TANK\HYD\ASSY\CMF
12	4704519	1	EXT\MAIN\CNVYR\RH
13	4704558	1	MNT\MTR\CNVYR\CMF
14	4704559	1	SHLD\CPLR\CNVYR
15	4704576	2	SHAFT\ASSY\CNVYR\CMF
16	4704580	20	SLAT\CHAIN\CNVYR\CMF
17	4704585	2	BRG\ASSY\CNVYR\CMF
18	4704592	2	SH\DEFL\MAIN\CNVYR\LH
19	4704598	4	BELT\GUIDE\MATL\HINGE
20	4704859	4	DBLR\BELT\GUIDE\MATL\HINGE
21	4704970	1	CNVYR\MAIN\WELD\CMF
22	4800013	6	BOLT\HEX\5/16X1
23	4800053	4	BOLT\CRG\3/8X1\NC
24	4800081	8	BOLT\HEX\5/16X1-1/2
25	4800140	2	BOLT\HEX\1X3\NC
26	4800153	80	BOLT\CRG\5/16X3/4\NC
27	4800178	2	BOLT\HEX\1/2X1-3/4
28	4800473	16	BOLT\CRG\5/16X1\NC
29	4800474	4	BOLT\CRG\5/16X1-1/4\NC
30	4800643	6	BOLT\HEX\5/16X3/4
31	4900001	2	NUT\HEX\1/2\NC
32	4900002	4	NUT\HEX\3/8\NC
33	4900003	20	NUT\HEX\5/16\NC
34	4900104	6	NUT\JAM\3/4\NC
35	4900108	24	NUT\FLG\SERR\5/16\NC
36	4900142	80	NUT\TPLCK\5/16\NC
37	5000006	2	WASH\LOCK\1/2
38	5000019	4	WASH\LOCK\3/8
39	5000022	22	WASH\LOCK\5/16
40	5000023	24	WASH\FLAT\5/16
41	5000053	1	WASH\LOCK\1
42	6200010	1	KEY\SQ\1/4X1

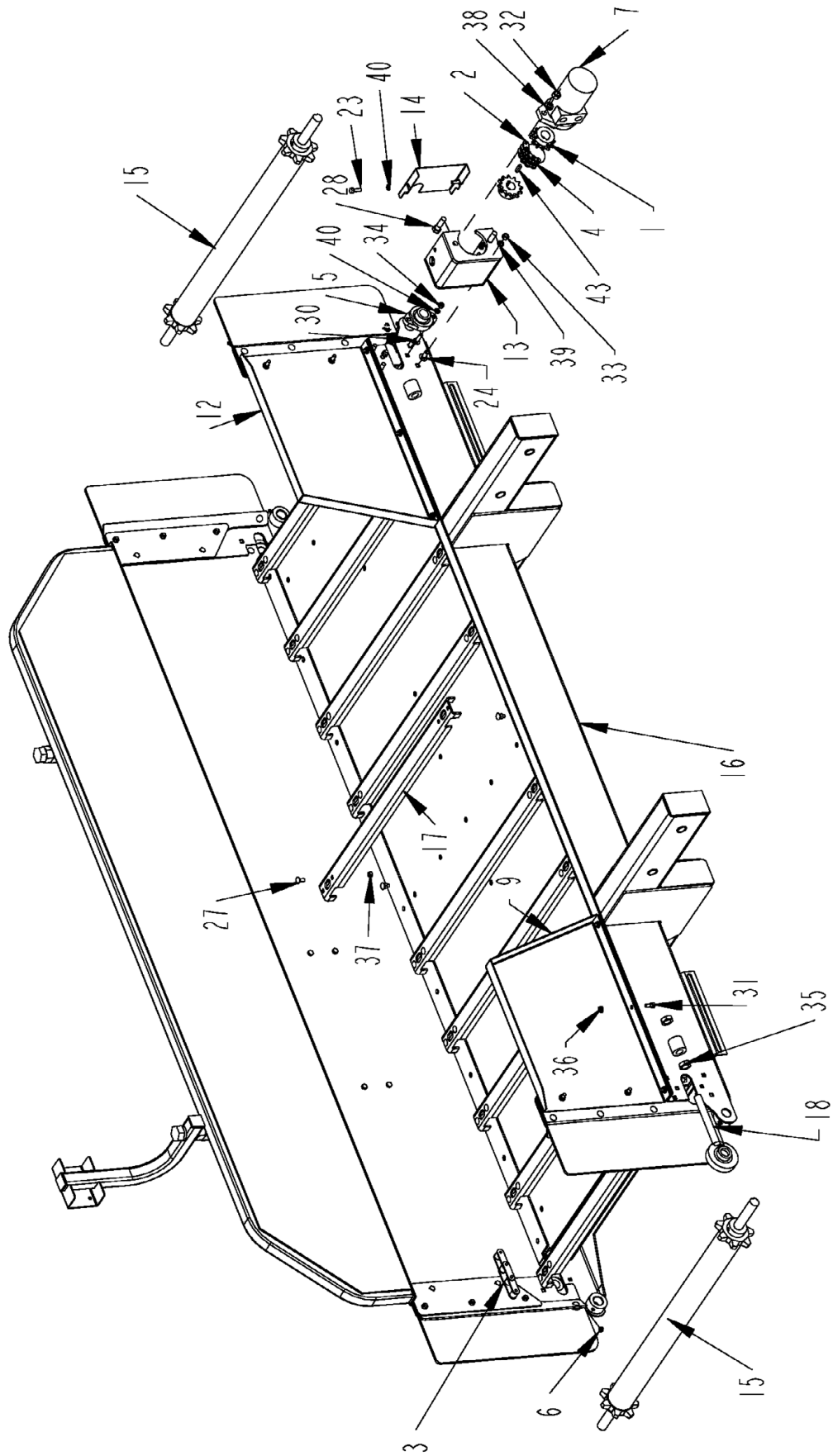
4704973

CNVYR\ASSY\MAIN\CMF\RH

**MAIN CONVEYOR ASSEMBLY-4704578 - SUB ASSEMBLY 1
(USE W/LH DISCHARGE)(FOR S.N. UP TO 700HJ0047)**



**MAIN CONVEYOR ASSEMBLY-4704578 - SUB ASSEMBLY 2
(USE W/LH DISCHARGE)(FOR S.N. UP TO 700HJ0047)**





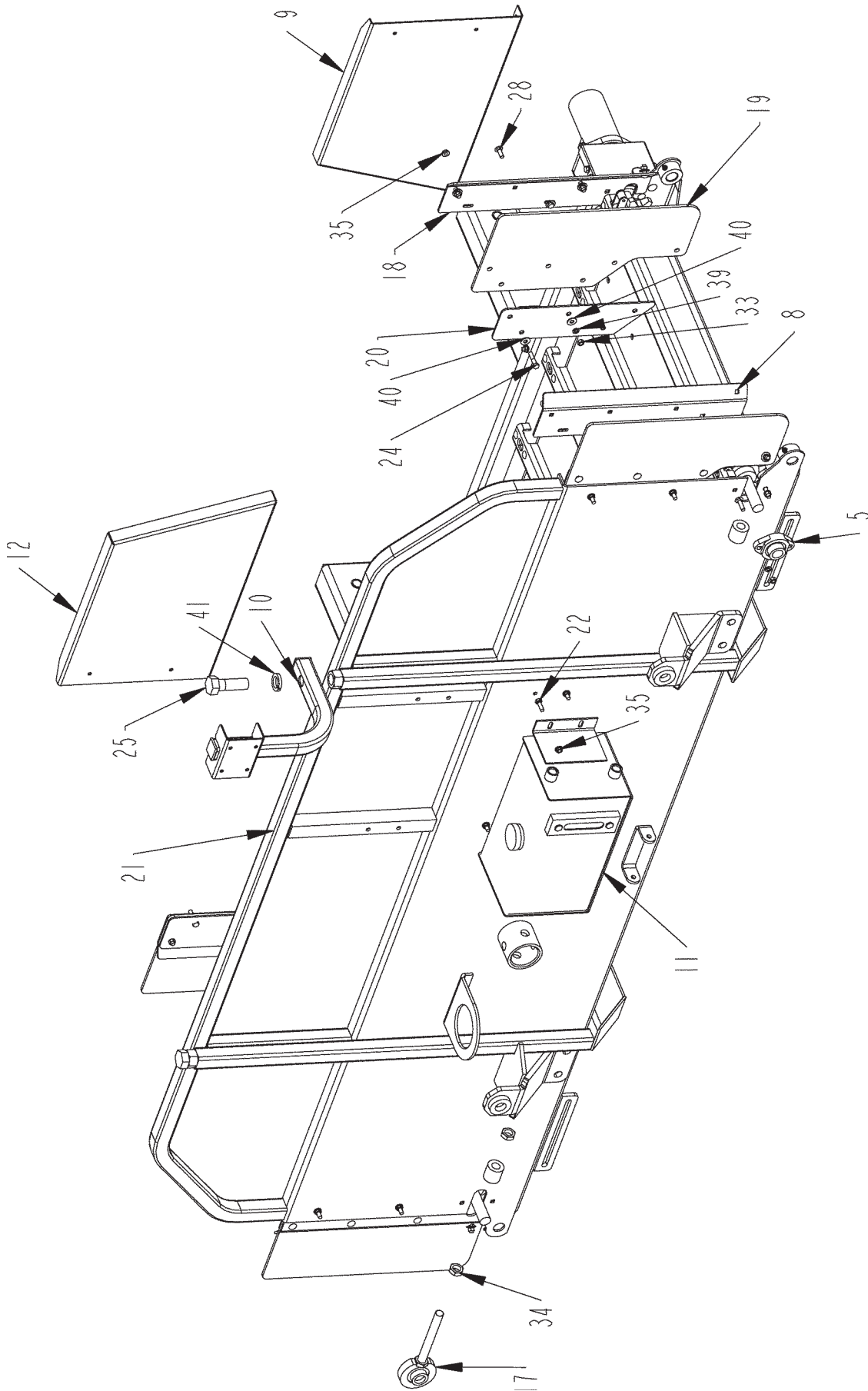
**MAIN CONVEYOR ASSEMBLY-4704578 PARTS LIST
(FOR S.N. UP TO 700HJ0047)**

ITEM	PART	QTY.	PART DESCRIPTION
1	1000055	2	SPKT\50\B\12\1\1/4KW
2	1100099	1	CHAIN\50DBL\CL
3	1100256	2	CHAIN\620CA\120\W\ATTCH
4	1100271	1	CHAIN\50DBL\11
5	2000310	2	BRG\FLG\CAST\1\2BOLT
6	3800043	4	FTG\LUB\1/8MPXZRK\SHORT
7	3900032	1	MOTOR\HYD\22.6\HAMNT\7/8FOR\1SHFT
8	4704375	2	SH\DEFL\MAIN\CNVYR\RH
9	4704378	1	EXT\MAIN\CNVYR\LH
10	4704388	1	BRKT\IND\SCALE
11	4704506	1	TANK\HYD\ASSY\CMF
12	4704519	1	EXT\MAIN\CNVYR\RH
13	4704558	1	MNT\MTR\CNVYR\CMF
14	4704559	1	SHLD\CPLR\CNVYR
15	4704576	2	SHAFT\ASSY\CNVYR\CMF
16	4704577	1	CNVYR\ASSY\TMR
17	4704580	20	SLAT\CHAIN\CNVYR\CMF
18	4704583	2	MNT\BRG\CNVYR\CMF
19	4704585	2	BRG\ASSY\CNVYR\CMF
20	4704592	2	SH\DEFL\MAIN\CNVYR\LH
21	4704598	4	BELT\GUIDE\MATL\HINGE
22	4704859	4	DBLR\BELT\GUIDE\MATL\HINGE
23	4800013	6	BOLT\HEX\5/16X1
24	4800053	4	BOLT\CRG\3/8X1\NC
25	4800081	8	BOLT\HEX\5/16X1-1/2
26	4800140	2	BOLT\HEX\1X3\NC
27	4800153	80	BOLT\CRG\5/16X3/4\NC
28	4800178	2	BOLT\HEX\1/2X1-3/4
29	4800473	16	BOLT\CRG\5/16X1\NC
30	4800474	4	BOLT\CRG\5/16X1-1/4\NC
31	4800643	6	BOLT\HEX\5/16X3/4
32	4900001	2	NUT\HEX\1/2\NC
33	4900002	4	NUT\HEX\3/8\NC
34	4900003	20	NUT\HEX\5/16\NC
35	4900104	6	NUT\JAM\3/4\NC
36	4900108	20	NUT\FLG\SERR\5/16\NC
37	4900142	78	NUT\TPLCK\5/16\NC
38	5000006	2	WASH\LOCK\1/2
39	5000019	4	WASH\LOCK\3/8
40	5000022	22	WASH\LOCK\5/16
41	5000023	24	WASH\FLAT\5/16
42	5000053	1	WASH\LOCK\1
43	6200010	1	KEY\SQ\1/4X1
44	7500275	1	CAP\VENTED\TANK\OIL
45	7501242	1	GAUGE\LEVEL\5\M12\NOTHERMOMETER

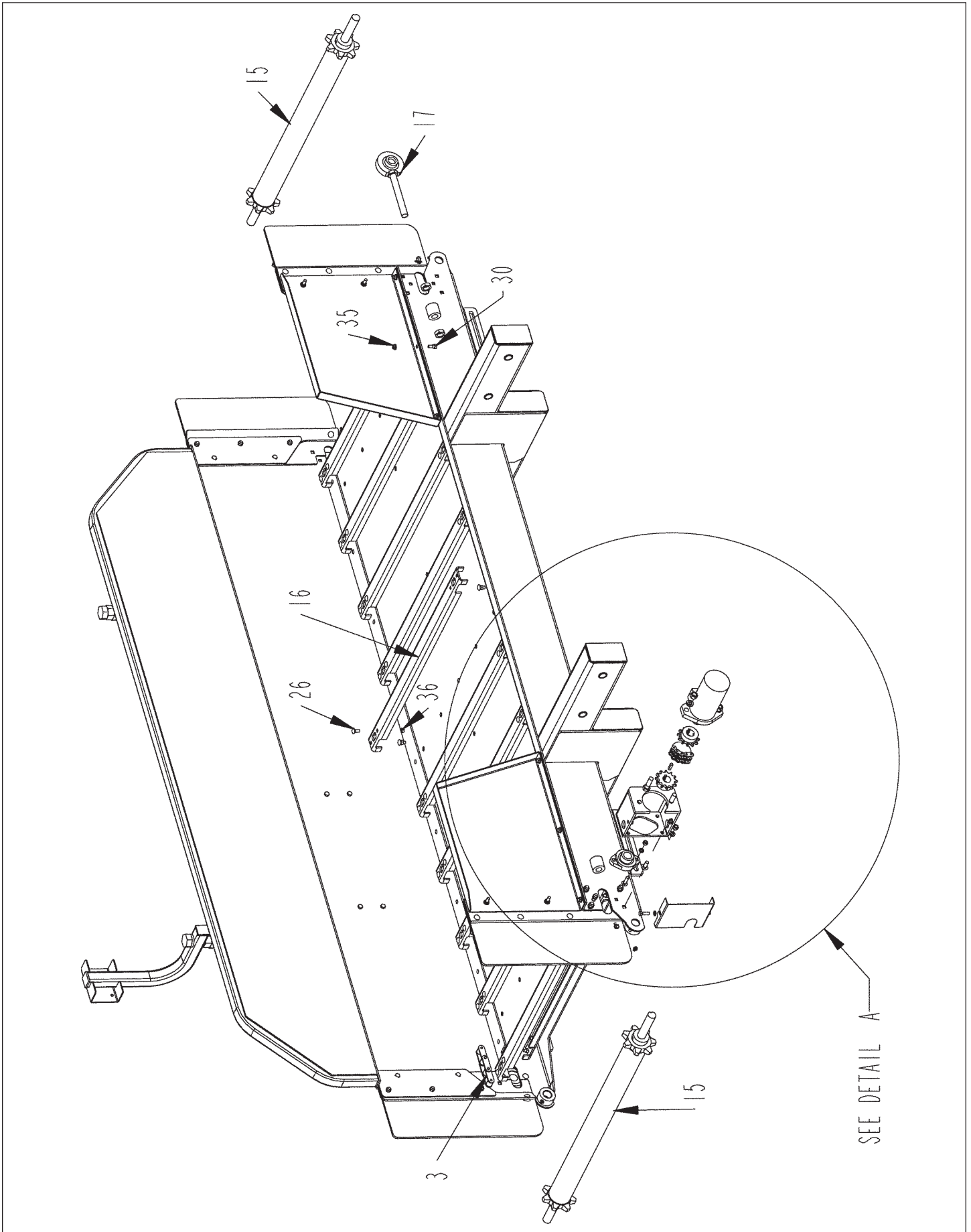
4704578

CNVYR\ASSY\MAIN\CMF

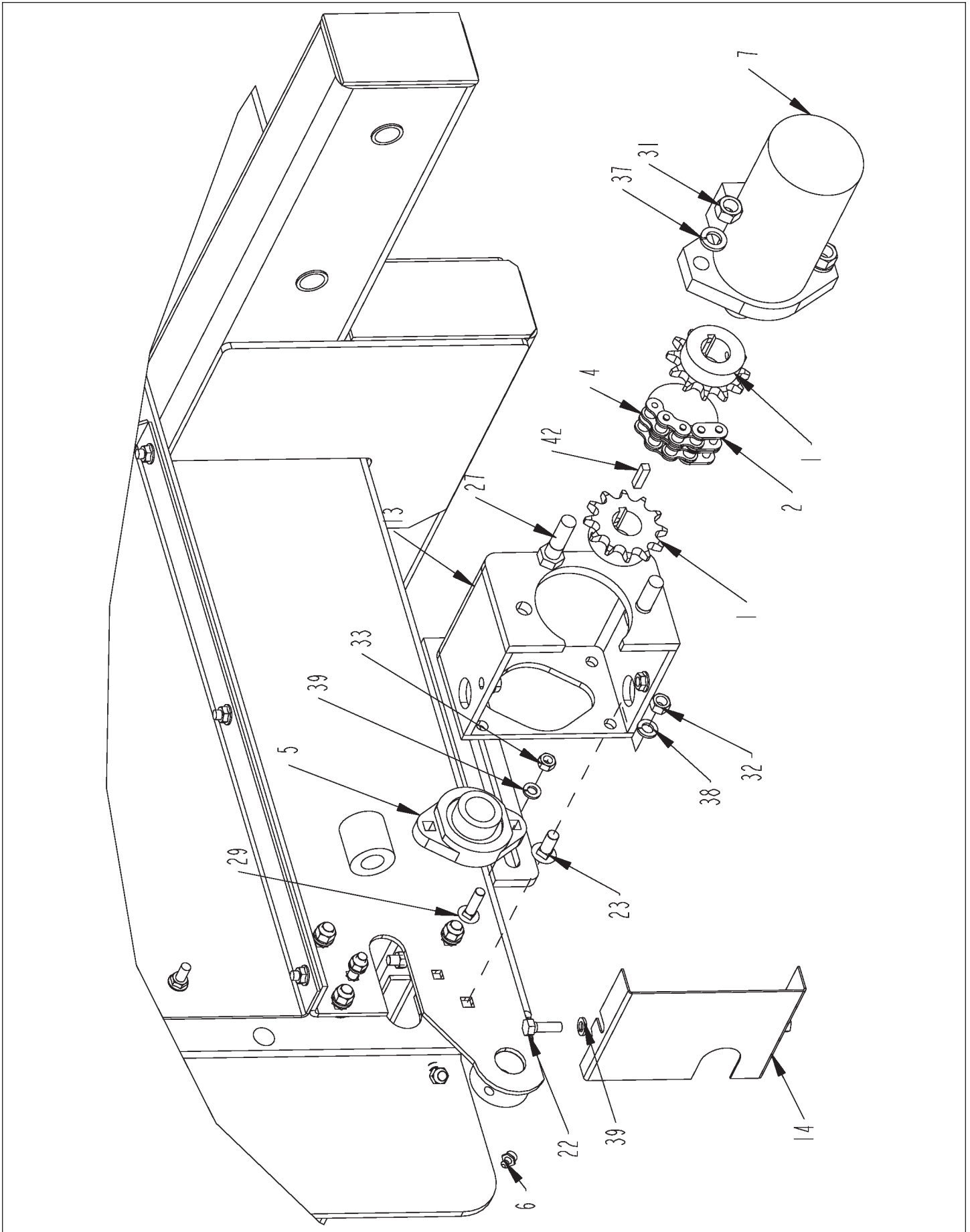
**MAIN CONVEYOR ASSEMBLY-4704972 - SUB ASSEMBLY 1
(USE W/LH DISCHARGE)(FOR S.N. 700100048 AND UP)**



**MAIN CONVEYOR ASSEMBLY-4704972 - SUB ASSEMBLY 2
(USE W/LH DISCHARGE)(FOR S.N. 700100048 AND UP)**



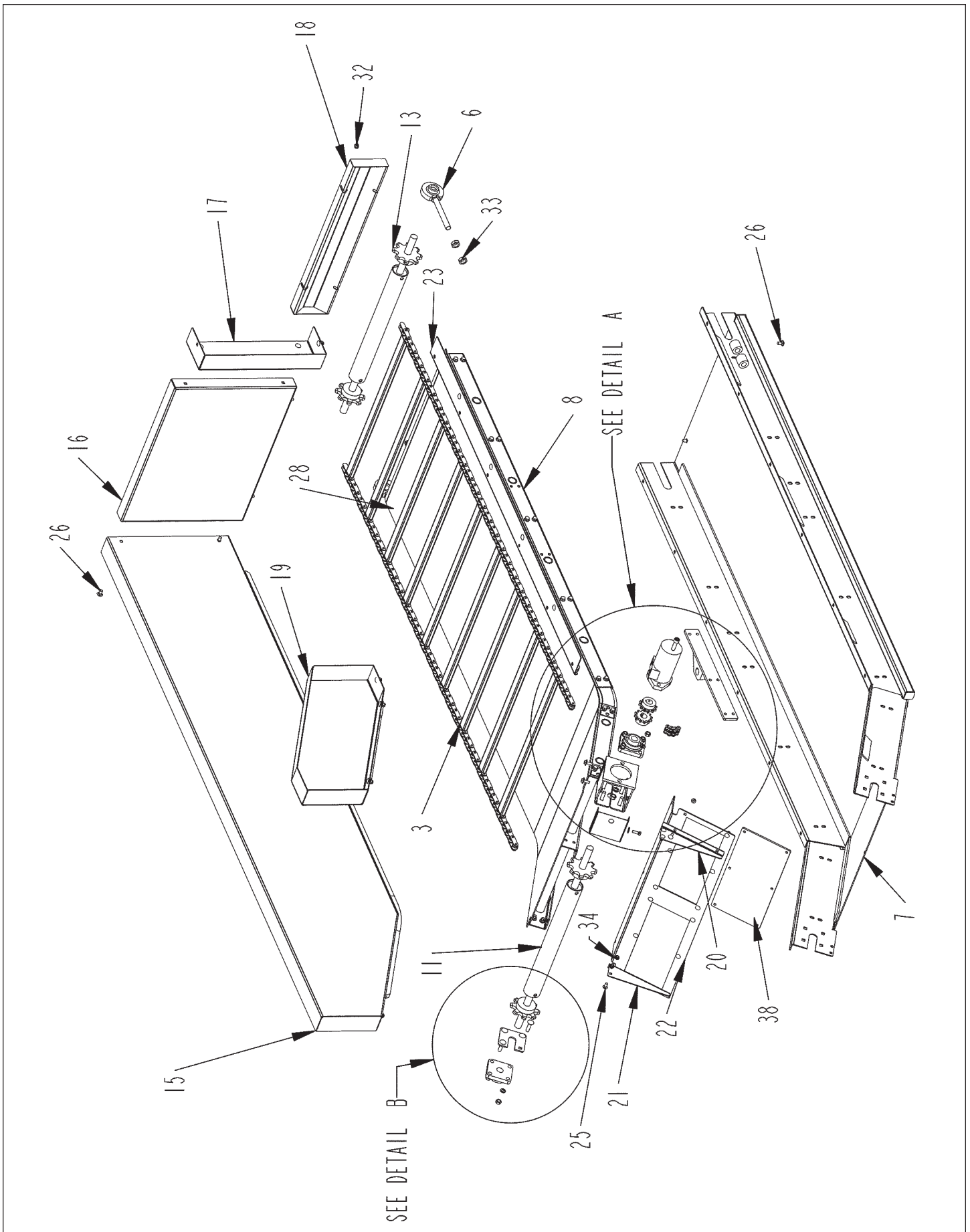
**MAIN CONVEYOR ASSEMBLY-4704972 - DETAIL A
(USE W/LH DISCHARGE)(FOR S.N. 700100048 AND UP)**



**MAIN CONVEYOR ASSEMBLY-4704972 - PARTS LIST
(USE W/LH DISCHARGE)(FOR S.N. 700100048 AND UP)**

ITEM	PART	QTY.	PART DESCRIPTION
1	1000055	2	SPKT\50\B\12\1\1/4KW
2	1100099	1	CHAIN\50DBL\CL
3	1100256	2	CHAIN\620CA\120\W\ATTCH
4	1100271	1	CHAIN\50DBL\11
5	2000310	2	BRG\FLG\CAST\1\2BOLT
6	3800043	4	FTG\LUB\1/8MPXZRK\SHORT
7	3900032	1	MOTOR\HYD\22.6\HAMNT\7/8FOR\1SHFT
8	4704375	2	SH\DEFL\MAIN\CNVYR\RH
9	4704378	1	EXT\MAIN\CNVYR\LH
10	4704388	1	BRKT\IND\SCALE
11	4704506	1	TANK\HYD\ASSY\CMF
12	4704519	1	EXT\MAIN\CNVYR\RH
13	4704558	1	MNT\MTR\CNVYR\CMF
14	4704559	1	SHLD\CPLR\CNVYR
15	4704576	2	SHAFT\ASSY\CNVYR\CMF
16	4704580	20	SLAT\CHAIN\CNVYR\CMF
17	4704585	2	BRG\ASSY\CNVYR\CMF
18	4704592	2	SH\DEFL\MAIN\CNVYR\LH
19	4704598	4	BELT\GUIDE\MATL\HINGE
20	4704859	4	DBLR\BELT\GUIDE\MATL\HINGE
21	4704970	1	CNVYR\MAIN\WELD\CMF
22	4800013	6	BOLT\HEX\5/16X1
23	4800053	4	BOLT\CRG\3/8X1\NC
24	4800081	8	BOLT\HEX\5/16X1-1/2
25	4800140	2	BOLT\HEX\1X3\NC
26	4800153	80	BOLT\CRG\5/16X3/4\NC
27	4800178	2	BOLT\HEX\1/2X1-3/4
28	4800473	16	BOLT\CRG\5/16X1\NC
29	4800474	4	BOLT\CRG\5/16X1-1/4\NC
30	4800643	6	BOLT\HEX\5/16X3/4
31	4900001	2	NUT\HEX\1/2\NC
32	4900002	4	NUT\HEX\3/8\NC
33	4900003	20	NUT\HEX\5/16\NC
34	4900104	6	NUT\JAM\3/4\NC
35	4900108	24	NUT\FLG\SERR\5/16\NC
36	4900142	80	NUT\TPLCK\5/16\NC
37	5000006	2	WASH\LOCK\1/2
38	5000019	4	WASH\LOCK\3/8
39	5000022	22	WASH\LOCK\5/16
40	5000023	24	WASH\FLAT\5/16
41	5000053	1	WASH\LOCK\1
42	6200010	1	KEY\SQ\1/4X1
	4704972		CNVYR\ASSY\MAIN\CMF\LH

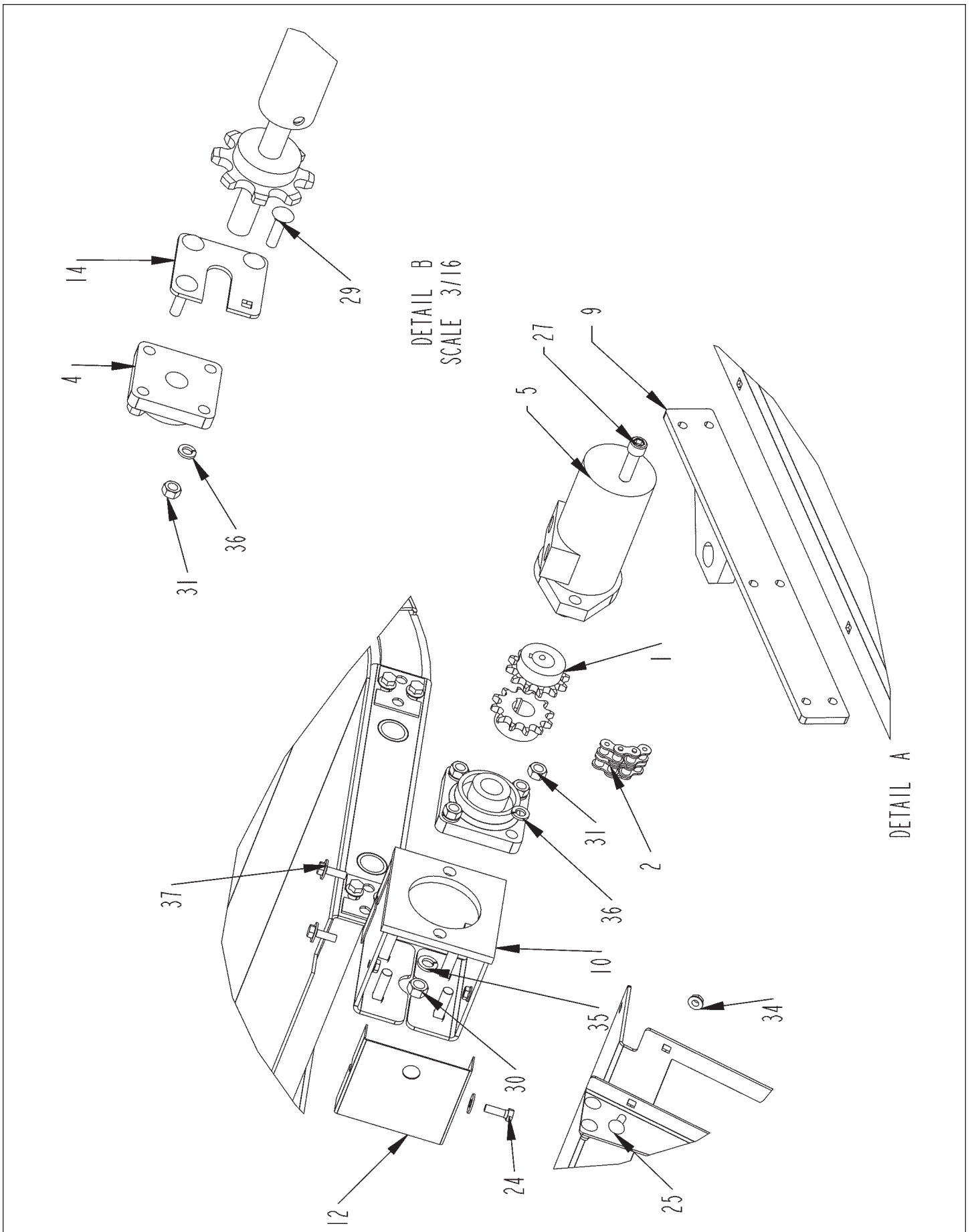
OPTIONAL-LH DOGLEG DISCHARGE CONVEYOR



OPTIONAL-LH DOGLEG DISCHARGE CONVEYOR

ITEM	PART	QTY.	PART DESCRIPTION
1	1000055	2	SPKT\50\B\12\1\1/4KW
2	1100271	1	CHAIN\50DBL\11
3	1100303	1	CHAIN\ASSY\2062H\140P\23\29" C-C
4	2000323	2	BRG\FLG\1\4BOLT
5	3900032	1	MOTOR\HYD\22.6\H
6	4704585	2	BRG\ASSY\CNVYR\CMF
7	4705179	1	WELD\FRM\DOG\CNVYR
8	4705181	1	DECK\DOG\CNVYR
9	4705184	1	MNT\CYL\DOG\CNVYR
10	4705188	1	MNT\MTR\CNVYR\DOG
11	4705191	1	SHAFT\ASSY\CNVYR\DOGCMF
12	4705192	2	COVER\CPLR\CHAIN\CNVYR
13	4705193	1	IDLER\ASSY\CNVYR\CMF
14	4705194	1	PL\BRG\SHIM
15	4705195	1	PANEL\FRNT\DOG\LH\CNVYR
16	4705197	1	PANEL\END\DOG\CNVYR
17	4705198	1	PANEL\BACK\RIGHT\DOG\LH\CNVYR
18	4705199	1	COVER\CNVYR\DOGLEG
19	4705200	1	PANEL\BACK\LEFT\DOG\LH\CNVYR
20	4705351	1	SH\SIDE\L\RAMP\FRM\DOG
21	4705352	1	SH\SIDE\R\RAMP\FRM\DOG
22	4705353	1	SH\RAMP\FRM\DOG
23	4705527	1	SEAL\CHAIN\CNVYR\DOGLEG
24	4800013	4	BOLT\HEX\5/16X1
25	4800153	16	BOLT\CRG\5/16X3/4\NC
26	4800394	24	BOLT\CRG\3/8X3/4\NC
27	4800434	2	SCR\CAP\ALN\1/2X1-3/4\NC
28	4800913	30	BOLT\FLG\SERR\3/8X1\NC
29	4800947	8	BOLT\CRG\7/16X2\NC
30	4900001	2	NUT\HEX\1/2\NC
31	4900025	8	NUT\HEX\7/16\NC
32	4900076	52	NUT\FLG\SERR\3/8\NC
33	4900104	6	NUT\JAM\3/4\NC
34	4900108	20	NUT\FLG\SERR\5/16\NC
35	5000006	2	WASH\LOCK\1/2
36	5000015	8	WASH\LOCK\7/16
37	5000023	4	WASH\FLAT\5/16
38	7501271	2	MAG\PL\14X6X1-1/2
	4705182		TBL\LEFT\DOG\CNVYR\CMF

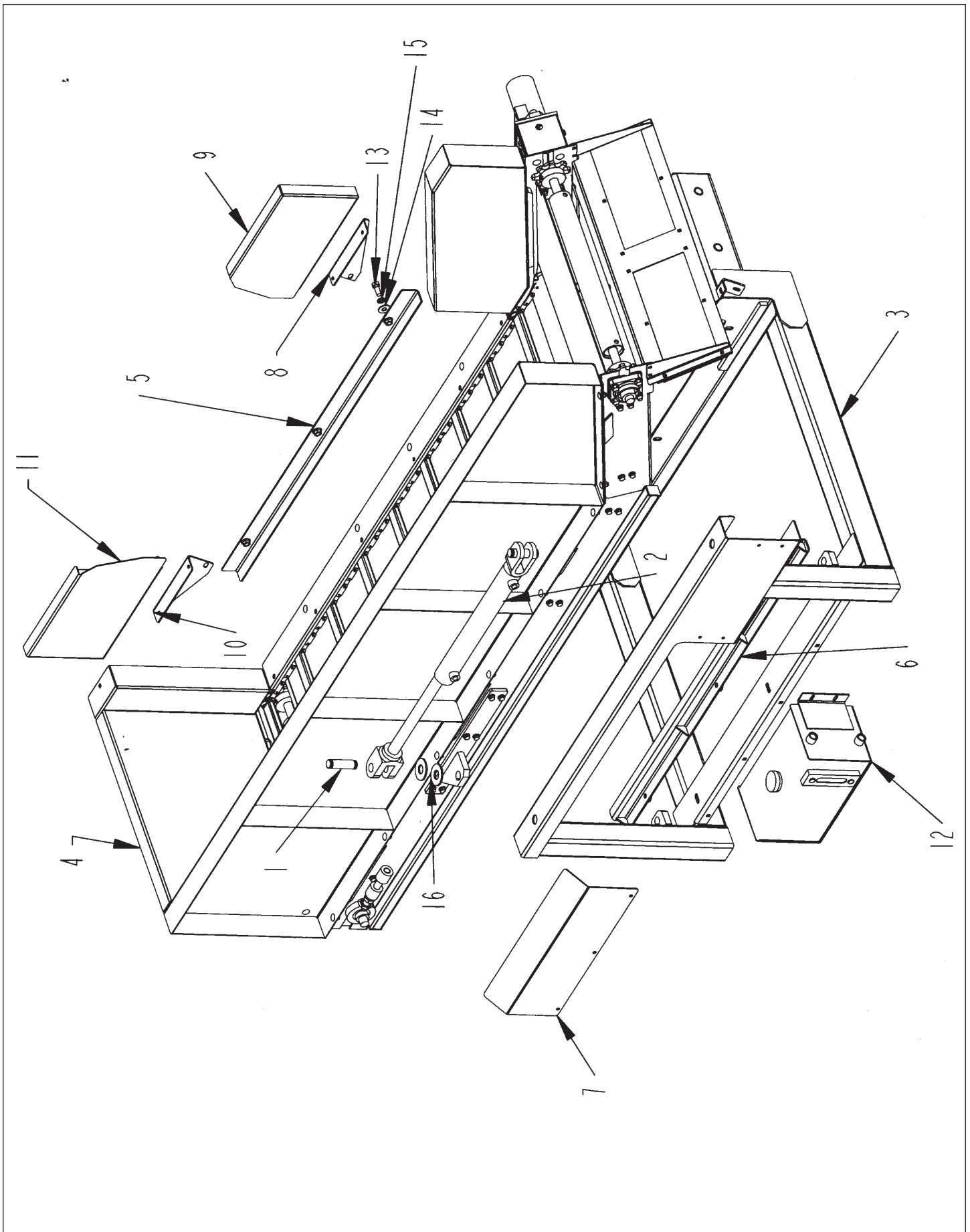
OPTIONAL-LH DOGLEG DISCHARGE CONVEYOR DETAILS A & B



OPTIONAL-LH DOGLEG DISCHARGE CONVEYOR DETAILS A & B

ITEM	PART	QTY.	PART DESCRIPTION
1	1000055	2	SPKT\50\B\12\1\1/4KW
2	1100271	1	CHAIN\50DBL\11
3	1100303	1	CHAIN\ASSY\2062H\140P\23\29" C-C
4	2000323	2	BRG\FLG\1\4BOLT
5	3900032	1	MOTOR\HYD\22.6\H
6	4704585	2	BRG\ASSY\CNVYR\CMF
7	4705179	1	WELD\FRM\DOG\CNVYR
8	4705181	1	DECK\DOG\CNVYR
9	4705184	1	MNT\CYL\DOG\CNVYR
10	4705188	1	MNT\MTR\CNVYR\DOG
11	4705191	1	SHAFT\ASSY\CNVYR\DOGCMF
12	4705192	2	COVER\CPLR\CHAIN\CNVYR
13	4705193	1	IDLER\ASSY\CNVYR\CMF
14	4705194	1	PL\BRG\SHIM
15	4705195	1	PANEL\FRNT\DOG\LH\CNVYR
16	4705197	1	PANEL\END\DOG\CNVYR
17	4705198	1	PANEL\BACK\RIGHT\DOG\LH\CNVYR
18	4705199	1	COVER\CNVYR\DOGLEG
19	4705200	1	PANEL\BACK\LEFT\DOG\LH\CNVYR
20	4705351	1	SH\SIDE\L\RAMP\FRM\DOG
21	4705352	1	SH\SIDE\R\RAMP\FRM\DOG
22	4705353	1	SH\RAMP\FRM\DOG
23	4705527	1	SEAL\CHAIN\CNVYR\DOGLEG
24	4800013	4	BOLT\HEX\5/16X1
25	4800153	16	BOLT\CRG\5/16X3/4\NC
26	4800394	24	BOLT\CRG\3/8X3/4\NC
27	4800434	2	SCR\CAP\ALN\1/2X1-3/4\NC
28	4800913	30	BOLT\FLG\SERR\3/8X1\NC
29	4800947	8	BOLT\CRG\7/16X2\NC
30	4900001	2	NUT\HEX\1/2\NC
31	4900025	8	NUT\HEX\7/16\NC
32	4900076	52	NUT\FLG\SERR\3/8\NC
33	4900104	6	NUT\JAM\3/4\NC
34	4900108	20	NUT\FLG\SERR\5/16\NC
35	5000006	2	WASH\LOCK\1/2
36	5000015	8	WASH\LOCK\7/16
37	5000023	4	WASH\FLAT\5/16
38	7501271	2	MAG\PL\14X6X1-1/2
	4705182		TBL\LEFT\DOG\CNVYR\CMF

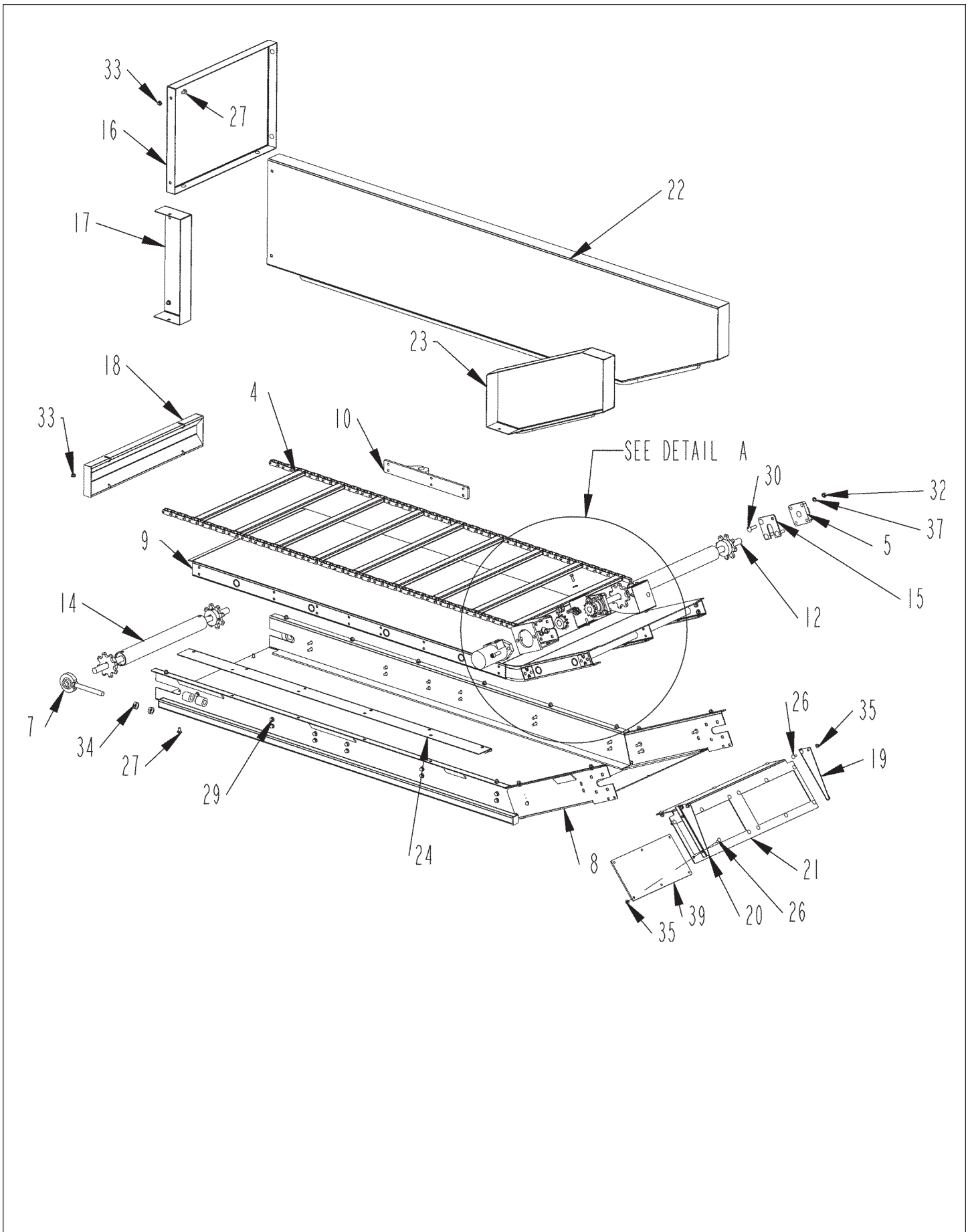
OPTIONAL-LH DOGLEG DISCHARGE CONVEYOR COMPLETE



OPTIONAL-LH DOGLEG DISCHARGE CONVEYOR COMPLETE

ITEM	PART	QTY.	PART DESCRIPTION
1	4100030	2	PIN 1" X 3-1/2" HYD. CYL.
2	4100284	1	CYL\HYD\2X16\1-1/4RD\WELDE
3	4705178	1	FRM\DOGLEG\CNVYR\CMF
4	4705182	1	TBL\LH\DOG\CNVYR\CMF
5	4705183	1	PL\PRESS\DOG\CNVYR
6	4705185	1	CLAMP\DOGLEG\CNVYR
7	4705390	1	COVER\ROD\CYL
8	4705393	1	BRKT\PANEL\LEFT\DOG\CNVYR
9	4705394	1	PANEL\LEFT\DOG\CNVYR
10	4705395	1	BRKT\PANEL\RIGHT\DOG\CNVYR
11	4705396	1	PANEL\RIGHT\DOG\CNVYR
12	4705510	1	TANK\LUBE\ASSY\CMF
13	4800018	3	BOLT\HEX\1/2X1-1/4
14	5000004	6	WASH\FLAT\1/2
15	5000006	5	WASH\LOCK\1/2
16	5000014	2	WASH\FLAT\1
	4705177		CMF\CNVYR\DOGLEG\LEFT\ASSY

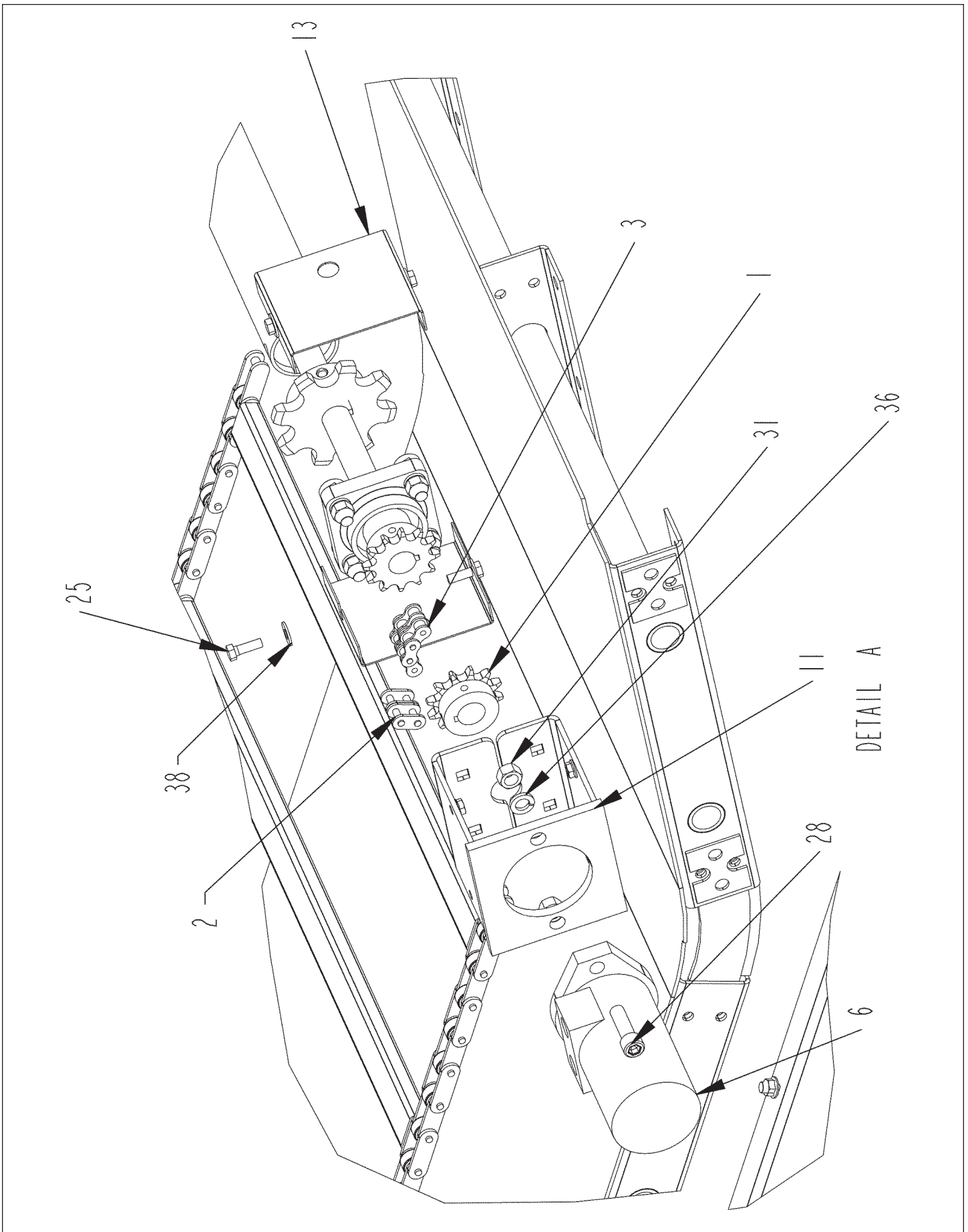
OPTIONAL-RH DOGLEG DISCHARGE CONVEYOR



OPTIONAL-RH DOGLEG DISCHARGE CONVEYOR

ITEM	PART	QTY.	PART DESCRIPTION
1	1000055	2	SPKT\50\B\12\1\1/4KW
2	1100099	1	CHAIN\50DBL\CL
3	1100271	1	CHAIN\50DBL\11
4	1100303	1	CHAIN\ASSY\2062H\140P\23\29" C-C
5	2000323	2	BRG\FLG\1\4BOLT
6	3900032	1	MOTOR\HYD\22.6\H
7	4704585	2	BRG\ASSY\CNVYR\CMF
8	4705179	1	WELD\FRM\DOG\CNVYR
9	4705181	1	DECK\DOG\CNVYR
10	4705184	1	MNT\CYL\DOG\CNVYR
11	4705188	1	MNT\MTR\CNVYR\DOG
12	4705191	1	SHAFT\ASSY\CNVYR\DOGCMF
13	4705192	2	COVER\CPLR\CHAIN\CNVYR
14	4705193	1	IDLER\ASSY\CNVYR\CMF
15	4705194	1	PL\BRG\SHIM
16	4705197	1	PANEL\END\DOG\CNVYR
17	4705198	1	PANEL\BACK\RIGHT\DOG\LH\CNVYR
18	4705199	1	COVER\CNVYR\DOGLEG
19	4705351	1	SH\SIDE\L\RAMP\FRM\DOG
20	4705352	1	SH\SIDE\R\RAMP\FRM\DOG
21	4705353	1	SH\RAMP\FRM\DOG
22	4705524	1	PANEL\FRNT\DOG\RH\CNVYR
23	4705525	1	PANEL\BACK\RIGHT\DOG\RH\CNVYR
24	4705527	1	SEAL\CHAIN\CNVYR\DOGLEG
25	4800013	4	BOLT\HEX\5/16X1
26	4800153	16	BOLT\CRG\5/16X3/4\NC
27	4800394	23	BOLT\CRG\3/8X3/4\NC
28	4800434	2	SCR\CAP\ALN\1/2X1-3/4\NC
29	4800913	32	BOLT\FLG\SERR\3/8X1\NC
30	4800947	8	BOLT\CRG\7/16X2\NC
31	4900001	2	NUT\HEX\1/2\NC
32	4900025	8	NUT\HEX\7/16\NC
33	4900076	55	NUT\FLG\SERR\3/8\NC
34	4900104	6	NUT\JAM\3/4\NC
35	4900108	20	NUT\FLG\SERR\5/16\NC
36	5000006	2	WASH\LOCK\1/2
37	5000015	8	WASH\LOCK\7/16
38	5000023	4	WASH\FLAT\5/16
39	7501271	2	MAG\PL\14X6X1-1/2
	4705523		TBL\RIGHT\DOG\CNVYR\CMF

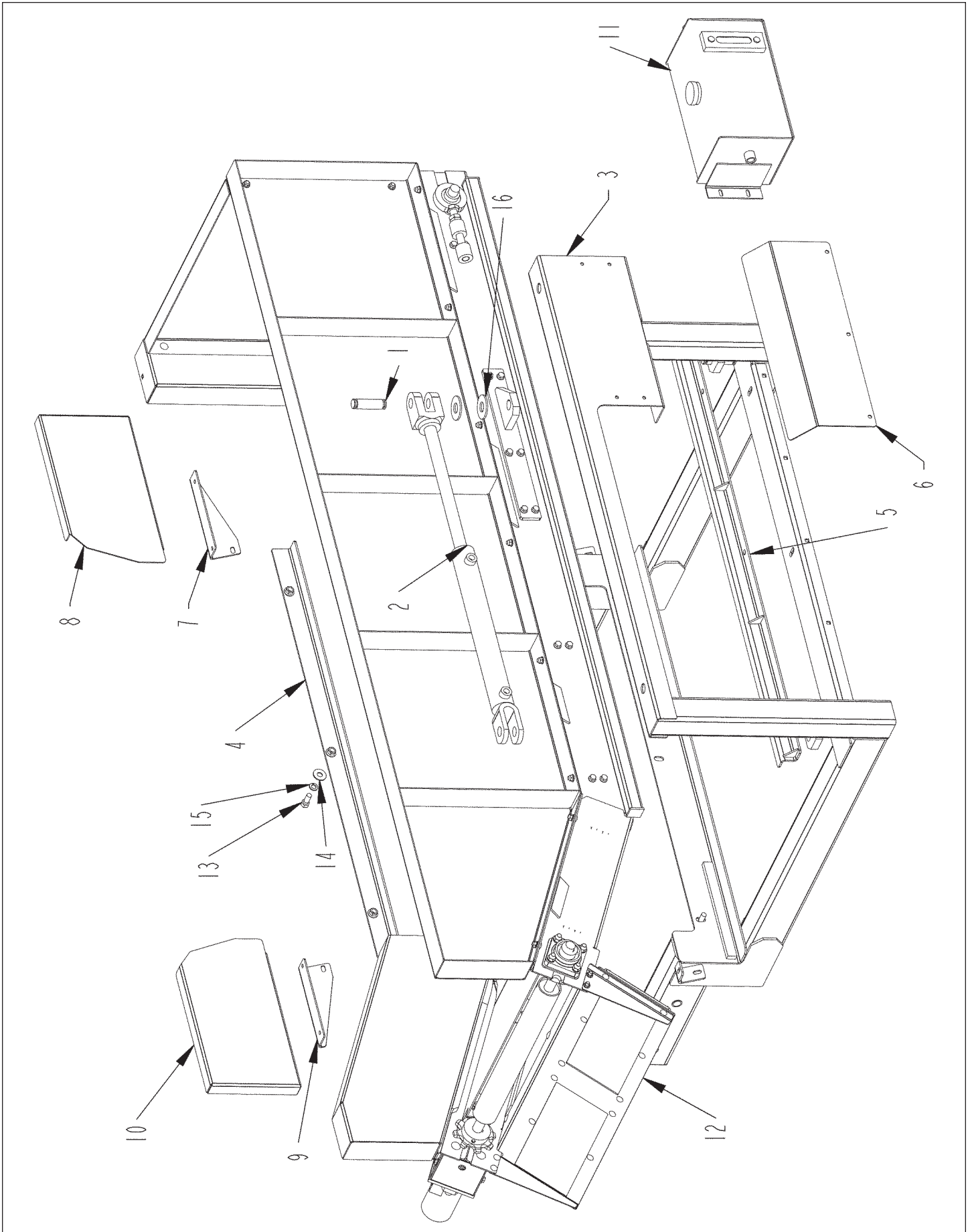
OPTIONAL-RH DOGGLE DISCHARGE CONVEYOR DETAIL A



OPTIONAL-RH DOGLEG DISCHARGE CONVEYOR DETAIL A

ITEM	PART	QTY.	PART DESCRIPTION
1	1000055	2	SPKT\50\B\12\1\1/4KW
2	1100099	1	CHAIN\50DBL\CL
3	1100271	1	CHAIN\50DBL\11
4	1100303	1	CHAIN\ASSY\2062H\140P\23\29" C-C
5	2000323	2	BRG\FLG\1\4BOLT
6	3900032	1	MOTOR\HYD\22.6\H
7	4704585	2	BRG\ASSY\CNVYR\CMF
8	4705179	1	WELD\FRM\DOG\CNVYR
9	4705181	1	DECK\DOG\CNVYR
10	4705184	1	MNT\CYL\DOG\CNVYR
11	4705188	1	MNT\MTR\CNVYR\DOG
12	4705191	1	SHAFT\ASSY\CNVYR\DOGCMF
13	4705192	2	COVER\CPLR\CHAIN\CNVYR
14	4705193	1	IDLER\ASSY\CNVYR\CMF
15	4705194	1	PL\BRG\SHIM
16	4705197	1	PANEL\END\DOG\CNVYR
17	4705198	1	PANEL\BACK\RIGHT\DOG\LH\CNVYR
18	4705199	1	COVER\CNVYR\DOGLEG
19	4705351	1	SH\SIDE\L\RAMP\FRM\DOG
20	4705352	1	SH\SIDE\R\RAMP\FRM\DOG
21	4705353	1	SH\RAMP\FRM\DOG
22	4705524	1	PANEL\FRNT\DOG\RH\CNVYR
23	4705525	1	PANEL\BACK\RIGHT\DOG\RH\CNVYR
24	4705527	1	SEAL\CHAIN\CNVYR\DOGLEG
25	4800013	4	BOLT\HEX\5/16X1
26	4800153	16	BOLT\CRG\5/16X3/4\NC
27	4800394	23	BOLT\CRG\3/8X3/4\NC
28	4800434	2	SCR\CAP\ALN\1/2X1-3/4\NC
29	4800913	32	BOLT\FLG\SERR\3/8X1\NC
30	4800947	8	BOLT\CRG\7/16X2\NC
31	4900001	2	NUT\HEX\1/2\NC
32	4900025	8	NUT\HEX\7/16\NC
33	4900076	55	NUT\FLG\SERR\3/8\NC
34	4900104	6	NUT\JAM\3/4\NC
35	4900108	20	NUT\FLG\SERR\5/16\NC
36	5000006	2	WASH\LOCK\1/2
37	5000015	8	WASH\LOCK\7/16
38	5000023	4	WASH\FLAT\5/16
39	7501271	2	MAG\PL\14X6X1-1/2
	4705523		TBL\RIGHT\DOG\CNVYR\CMF

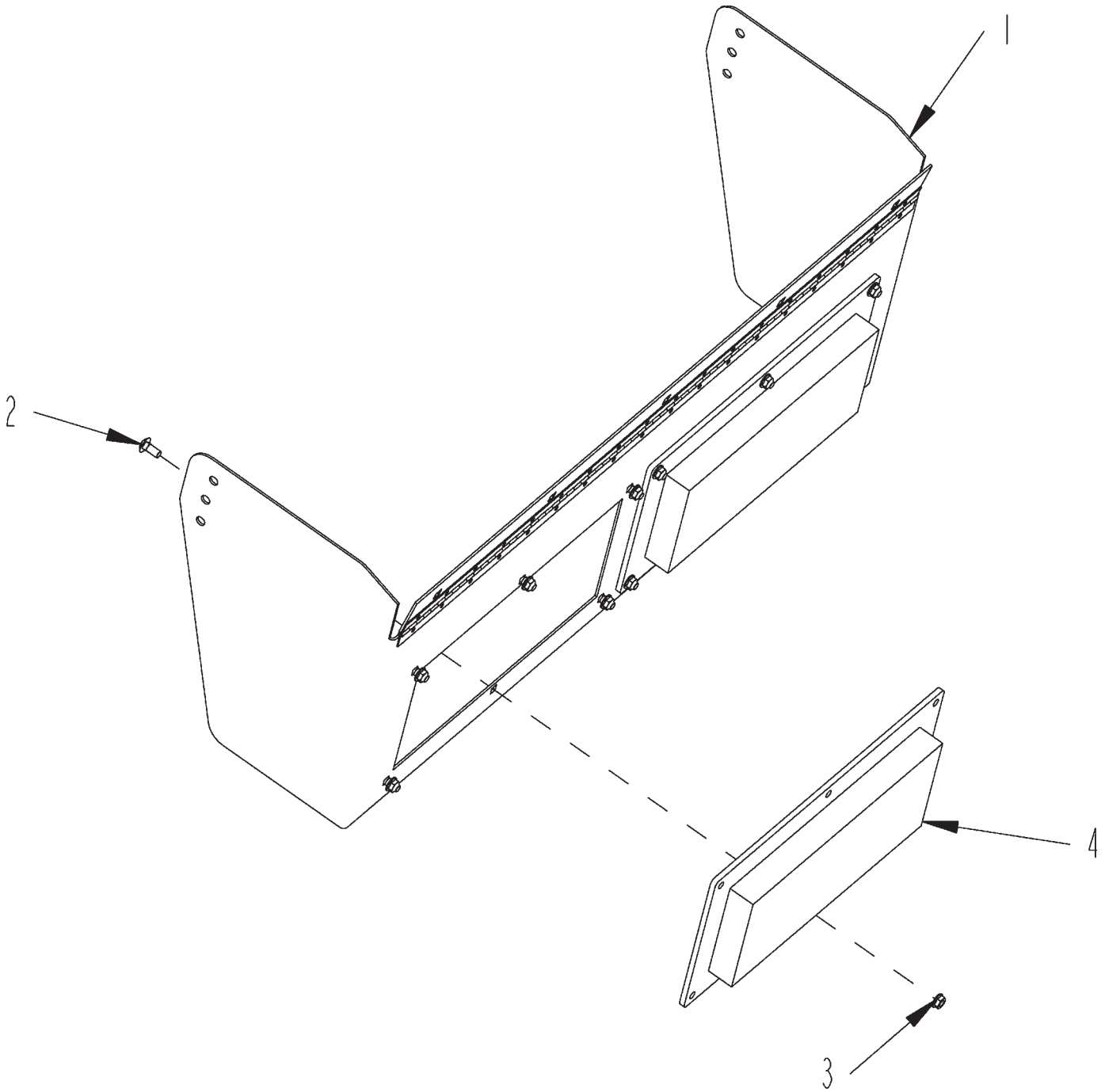
OPTIONAL-RH DOGLEG DISCHARGE CONVEYOR COMPLETE



OPTIONAL-RH DOGLEG DISCHARGE CONVEYOR COMPLETE

ITEM	PART	QTY.	PART DESCRIPTION
1	4100030	2	PIN 1" X 3-1/2" HYD. CYL.
2	4100284	1	CYL\HYD\2X16\1-1/4RD\WELDE
3	4705178	1	FRM\DOGLEG\CNVYR\CMF
4	4705183	1	PL\PRESS\DOG\CNVYR
5	4705185	1	CLAMP\DOGLEG\CNVYR
6	4705390	1	COVER\ROD\CYL
7	4705393	1	BRKT\PANEL\LEFT\DOG\CNVYR
8	4705394	1	PANEL\LEFT\DOG\CNVYR
9	4705395	1	BRKT\PANEL\RIGHT\DOG\CNVYR
10	4705396	1	PANEL\RIGHT\DOG\CNVYR
11	4705510	1	TANK\LUBE\ASSY\CMF
12	4705523	1	TBL\RH\DOG\CNVYR\CMF
13	4800018	3	BOLT\HEX\1/2X1-1/4
14	5000004	6	WASH\FLAT\1/2
15	5000006	5	WASH\LOCK\1/2
16	5000014	2	WASH\FLAT\1
	4705526		CMF\CNVYR\DOGLEG\RIGHT\ASSY

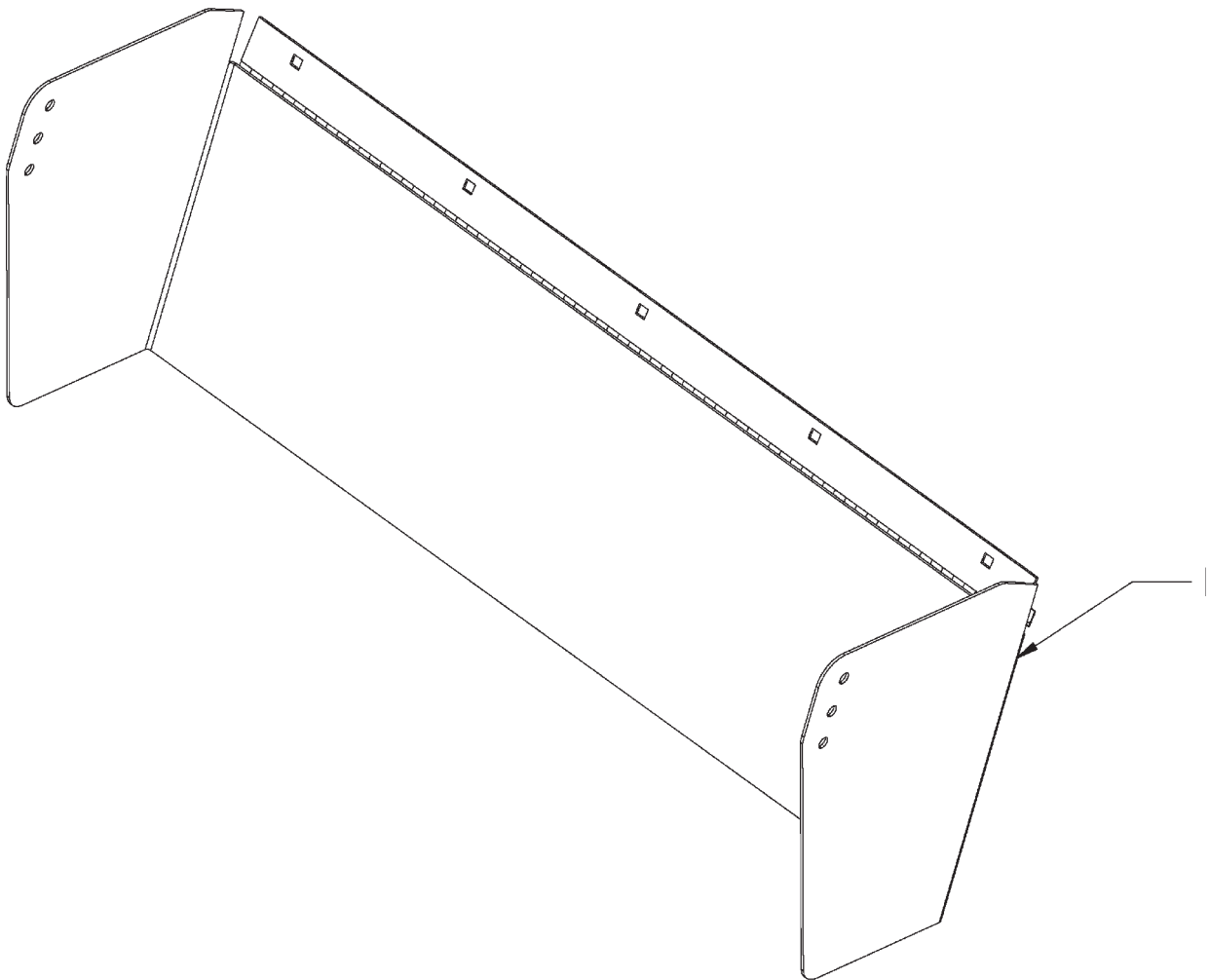
MAGNETIC CONVEYOR CHUTE ASSEMBLY



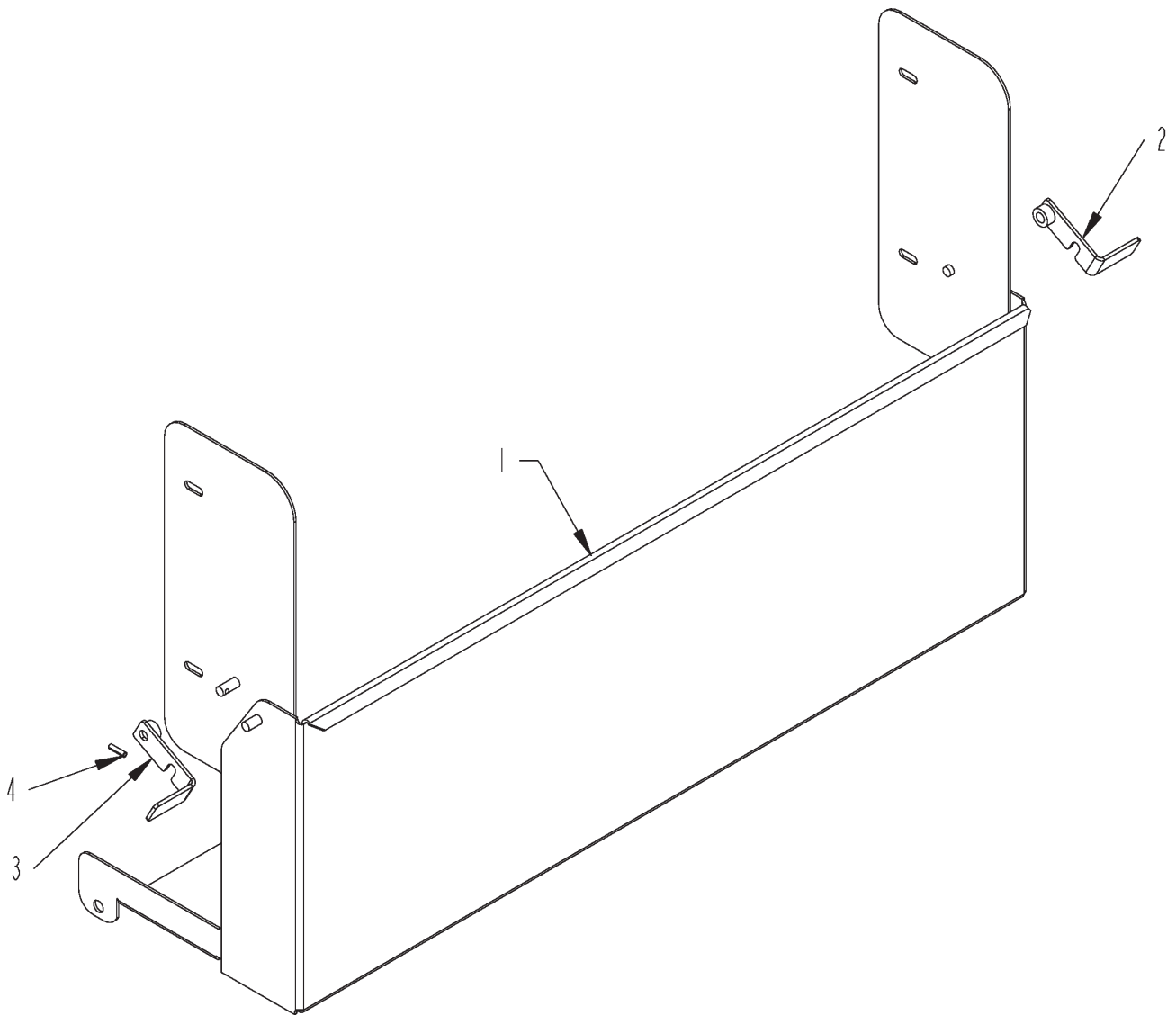
ITEM	PART NO.	QTY.	DESCRIPTION
1	4704357	1	CHUTE\MAG\CNVYR\WELD
2	4800153	12	BOLT\CRG\5/16X3/4\NC
3	4900108	12	NUT\FLG\SERR\5/16\NC
4	7501271	2	MAG\PL\14X6X1-1/2
	4704355		KIT\MAG\CNVYR\CMF

NON-MAGNETIC CONVEYOR CHUTE ASSEMBLY

ITEM	PART NO.	QTY.	DESCRIPTION
1	4704535	1	CHUTE\NON-MAG\CNVYR\WELD\EXTENSION CNVYR

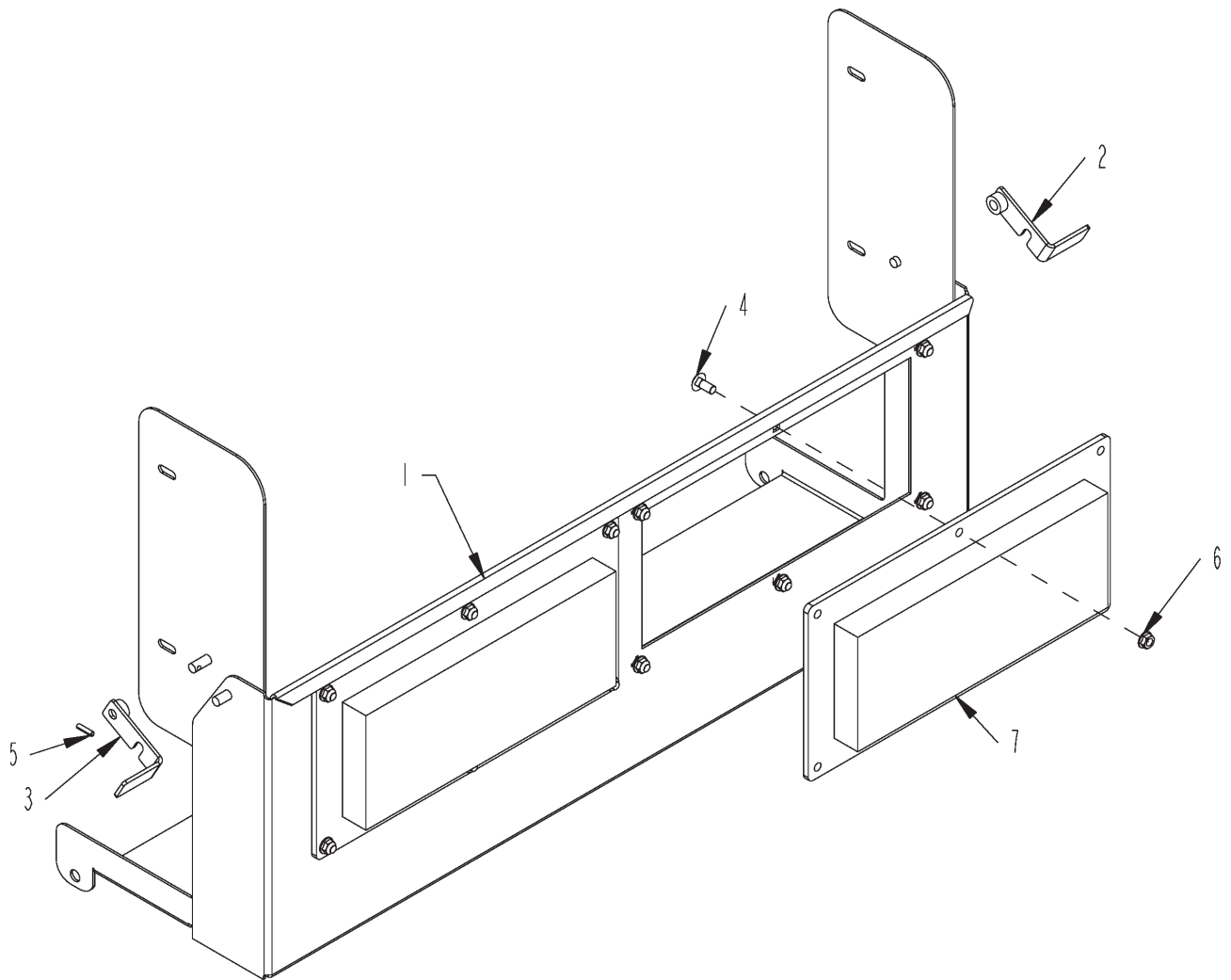


NON-MAGNETIC CONVEYOR END GATE ASSEMBLY



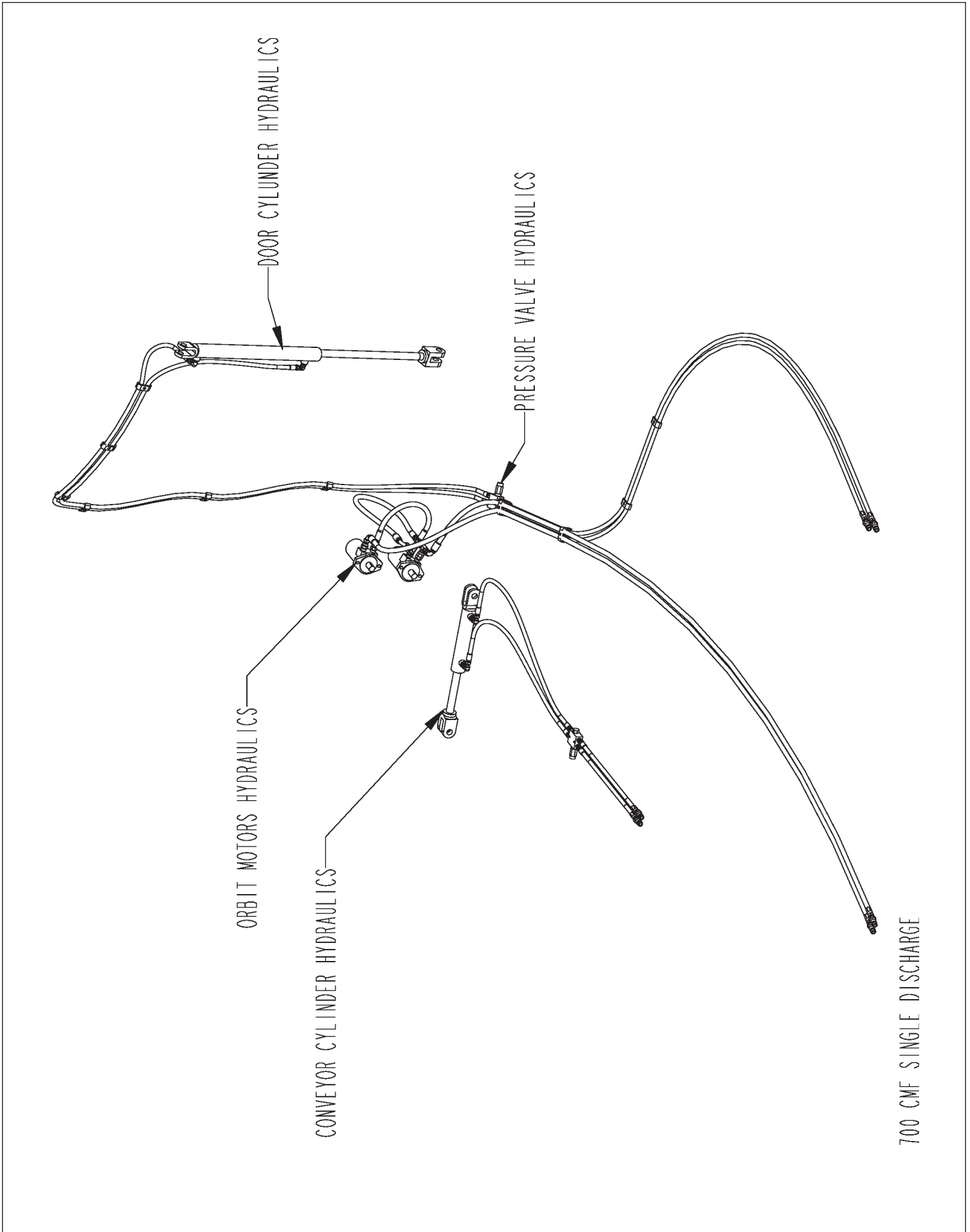
ITEM	PART NO.	QTY.	DESCRIPTION
1	4704563	1	GATE\END\CNVYR
2	4704594	1	LATCH\GATE\END\CNVYR\L
3	4704595	1	LATCH\GATE\END\CNVYR\R
4	4800313	2	PIN\RLLD\3/16X3/4
	4704593		GATE\END\CNVYR\ASSY

MAGNETIC CONVEYOR END GATE ASSEMBLY

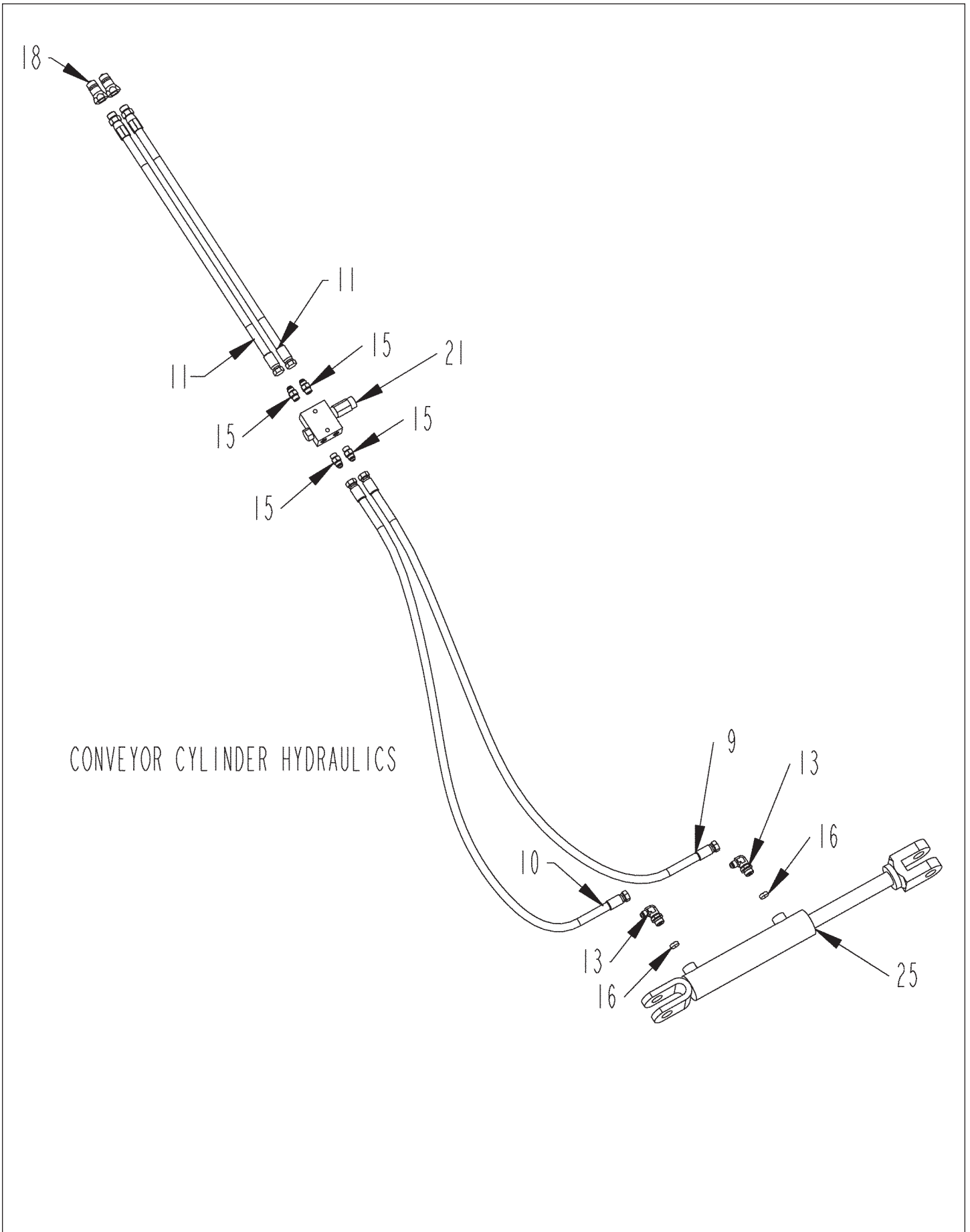


ITEM	PART NO.	QTY.	DESCRIPTION
1	4704565	1	MAG\END\GATE\CNVYR
2	4704594	1	LATCH\GATE\END\CNVYR\L
3	4704595	1	LATCH\GATE\END\CNVYR\R
4	4800153	12	BOLT\CRG\5/16X3/4\NC
5	4800313	2	PIN\RLLD\3/16X3/4
6	4900108	12	NUT\FLG\SERR\5/16\NC
7	7501271	2	MAG\PL\14X6X1-1/2
	4704566		GATE\END\MAG\CNVYR\ASSY

SINGLE DISCHARGE CONVEYOR HYDRAULICS

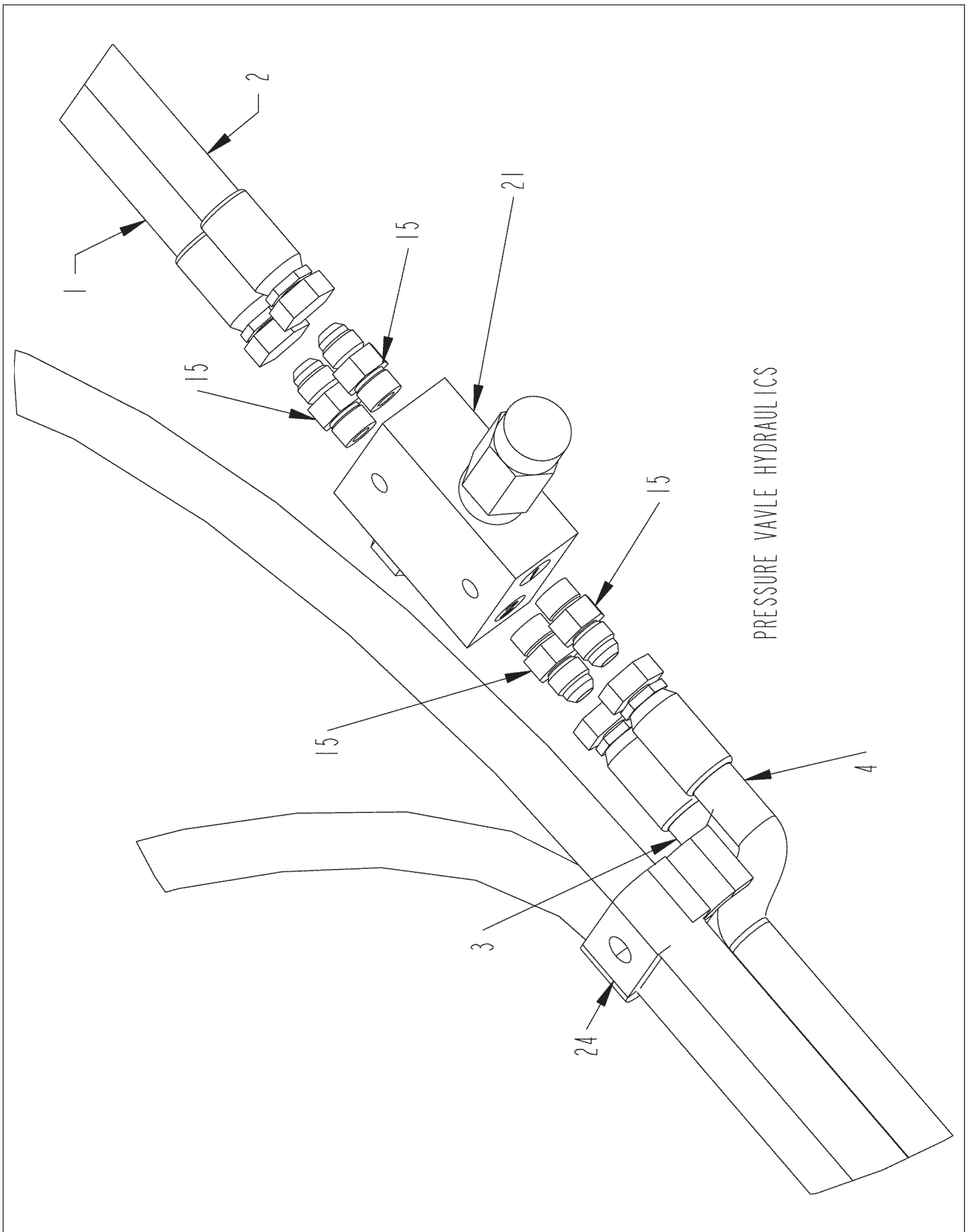


CONVEYOR CYLINDER HYDRAULICS

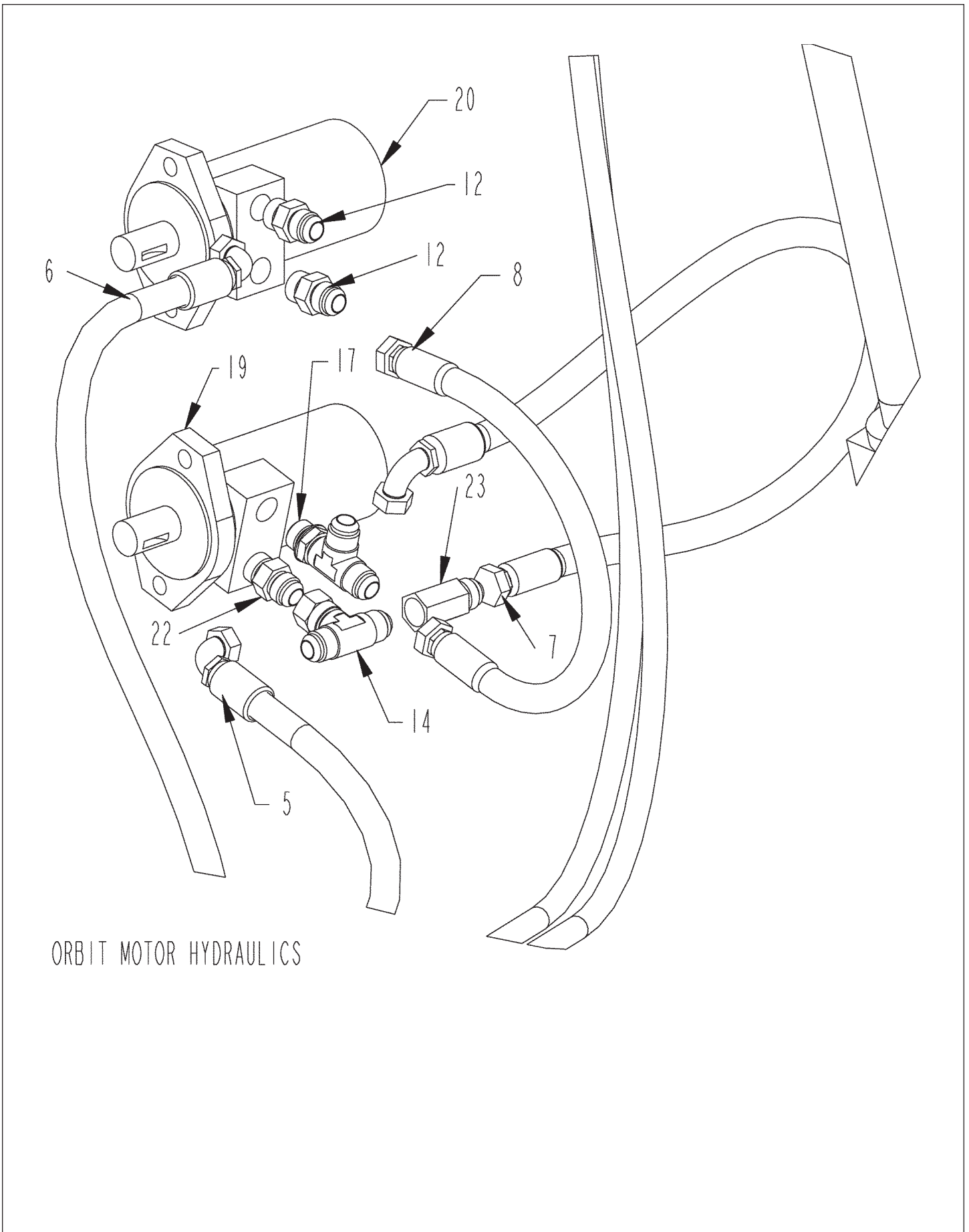


CONVEYOR CYLINDER HYDRAULICS

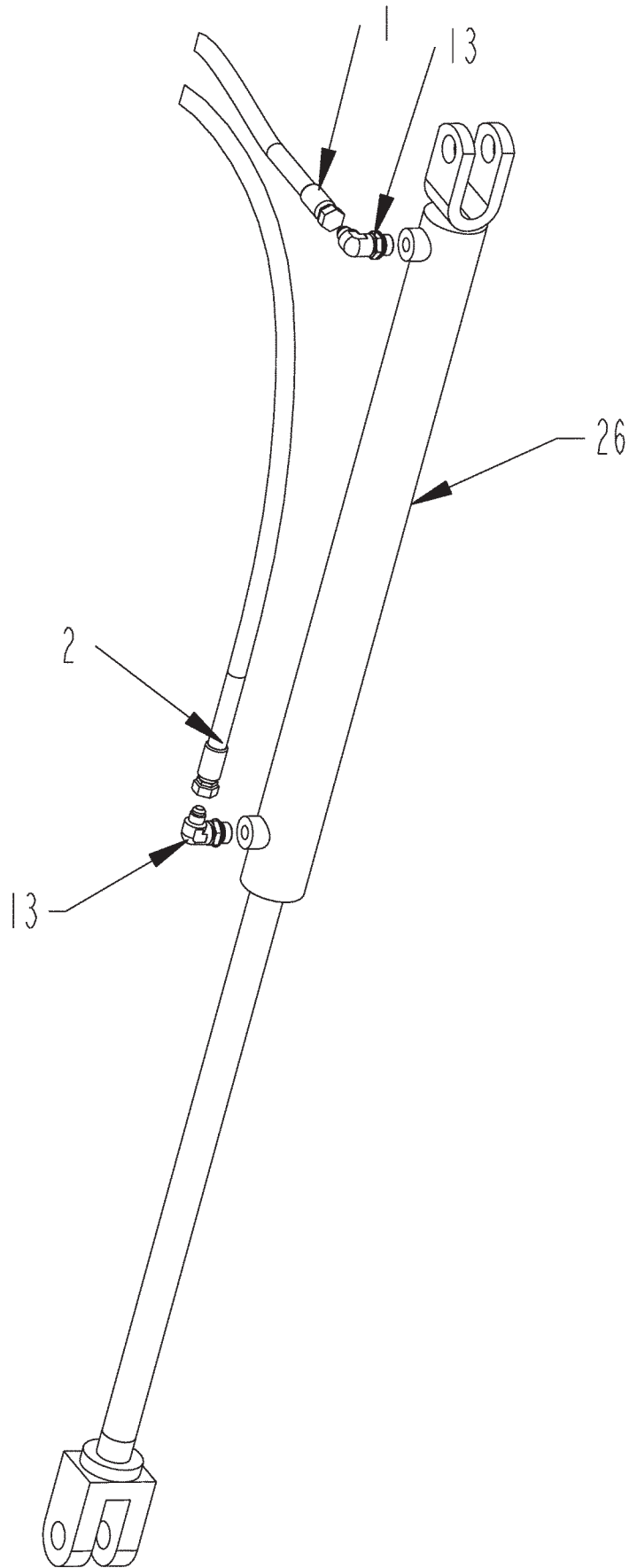
PRESSURE VALVE HYDRAULICS



ORBIT MOTOR HYDRAULICS



DOOR CYLINDER HYDRAULICS

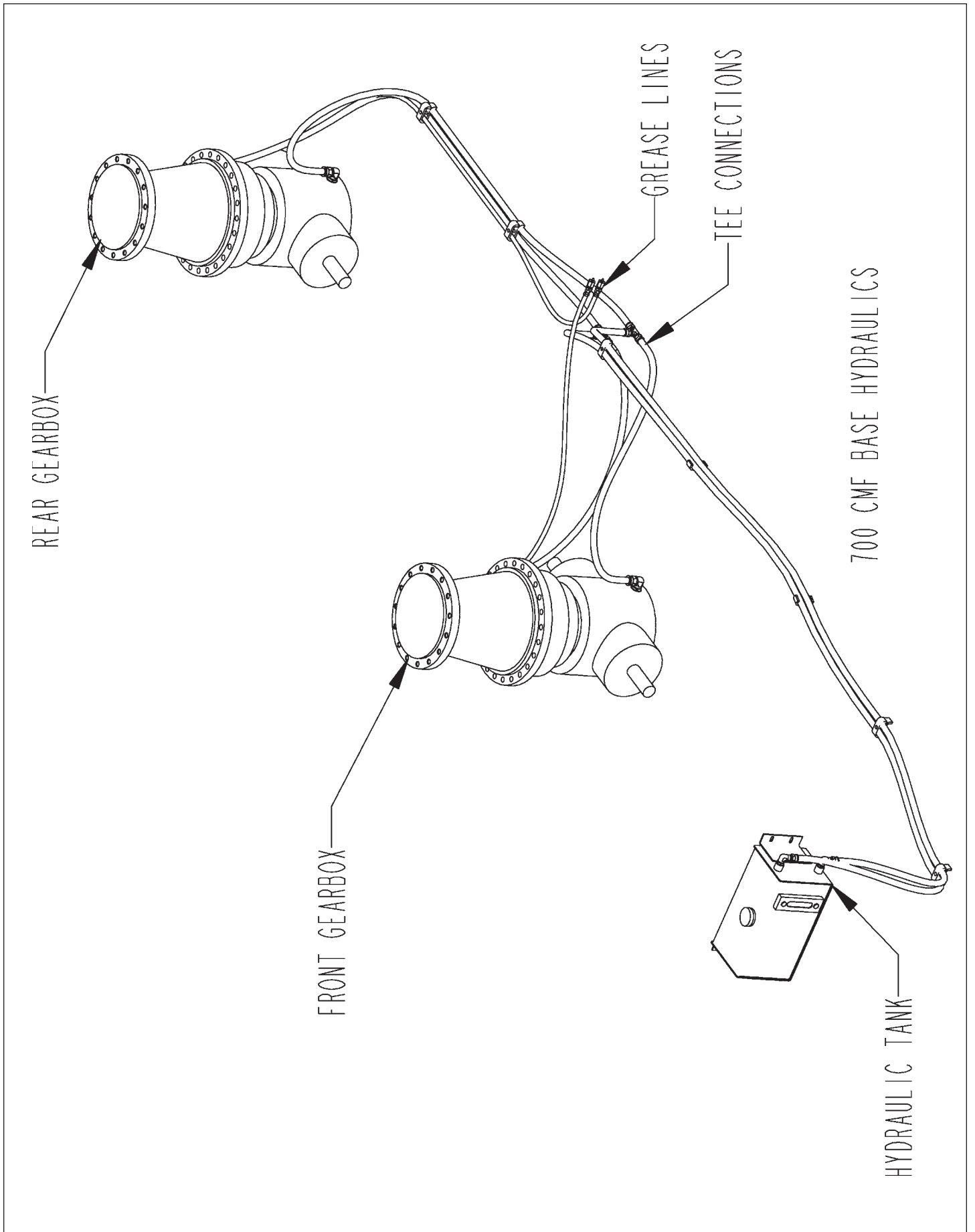


SINGLE DISCHARGE CONVEYOR HYDRAULICS

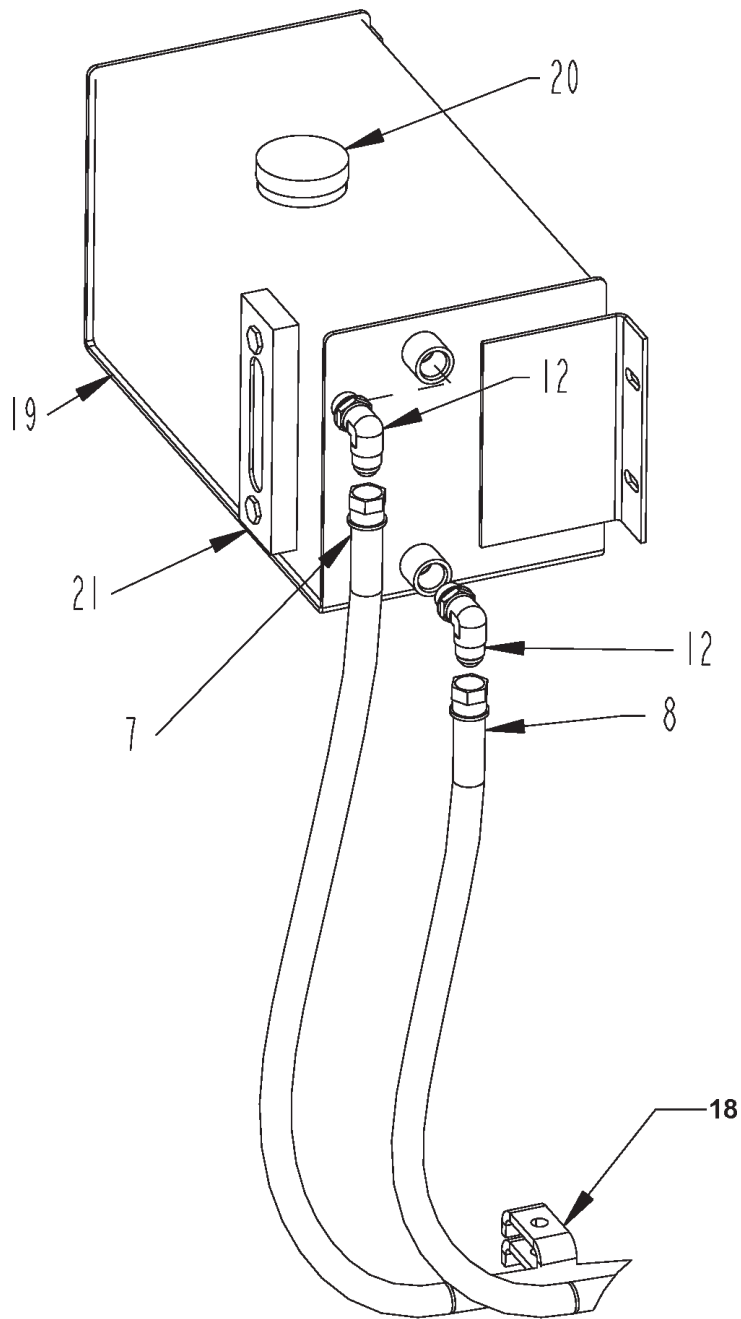
ITEM	PART	QTY.	PART DESCRIPTION
1	3700802	1	HOSE\HYD\3/8X158\ CAP END OF FRONT GATE CYLINDER TO PRESSURE RELIEF VALVE
2	3700803	1	HOSE\HYD\3/8X184\ ROD END OF FRONT GATE CYLINDER TO PRESSURE RELIEF VALVE
3	3700804	1	HOSE\HYD\3/8X158\ PRESSURE RELIEF VALVE TO TRACTOR
4	3700805	1	HOSE\HYD\3/8X158\ PRESSURE RELIEF VALVE TO TRACTOR
5	3700808	1	HOSE\HYD\3/8X151\ BOTTOM PORT (TEE) OF LOWER ORBIT MOTOR TO TRACTOR
6	3700809	1	HOSE\HYD\1/2X190\ TOP PORT OF UPPER ORBIT MOTOR TO TRACTOR
7	3700810	1	HOSE\HYD\1/2X18\ TOP PORT (TEE) LOWER ORBIT MOTOR TO
8	3700811	1	HOSE\HYD\1/2X34\ LOWER PORT UPPER CONVEYOR ORBIT TO UPPER TEE LOWER ORBIT MOTOR
9	3701014	1	HOSE\HYD\3/8X127\9/16FJIC ROD END OF CONVEYOR CYL. TO CONVEYOR PRESSURE RELIEF VALVE
10	3701015	1	HOSE\HYD\3/8X115\9/16FJIC CAP END OF CONVEYOR CYL. TO CONVEYOR PRESSURE RELIEF VALVE
11	3701016	2	HOSE\HYD\3/8X24\9/16MORX9/16FJIC CONVEYOR PRESSURE RELIEF VALVE TO TRACTOR
12	3800448	2	FTG\7/8MORX7/8MJIC\ST
13	3800453	4	FTG\3/4MORX9/16MJIC\90
14	3800461	1	FTG\7/8MJIC7/8MJIC7/8FJICS\BR;TEE
15	3800631	8	FTG\9/16MORX9/16MJIC\ST
16	3800683	2	FTG\3/4MOR\ORFICE\0.0490"
17	3800686	1	MORMJICMJIC
18	3800694	6	FTG\3/4FOR\QUICK;CPLR\MALE
19	3900025	1	MOTOR\HYD\17.9\H
20	3900032	1	MOTOR\HYD\22.6\H
21	4000245	2	VALVE\RELIEF\CROSS\SINGLE
22	4000288	1	FTG\7/8MORX7/8MJIC\ST\CHCK
23	4000293	1	VALVE\CHECK\7/8FJICX7/8MJIC
24	4700776	12	CLMP\HOSE\3/8
25	4100210	1	CYL\HYD\2X8\1-1/4RD\WELDE
26	4100241	1	CYL\HYD\2"X24"1-1/4"ROD



BASE HYDRAULIC SCHEMATIC

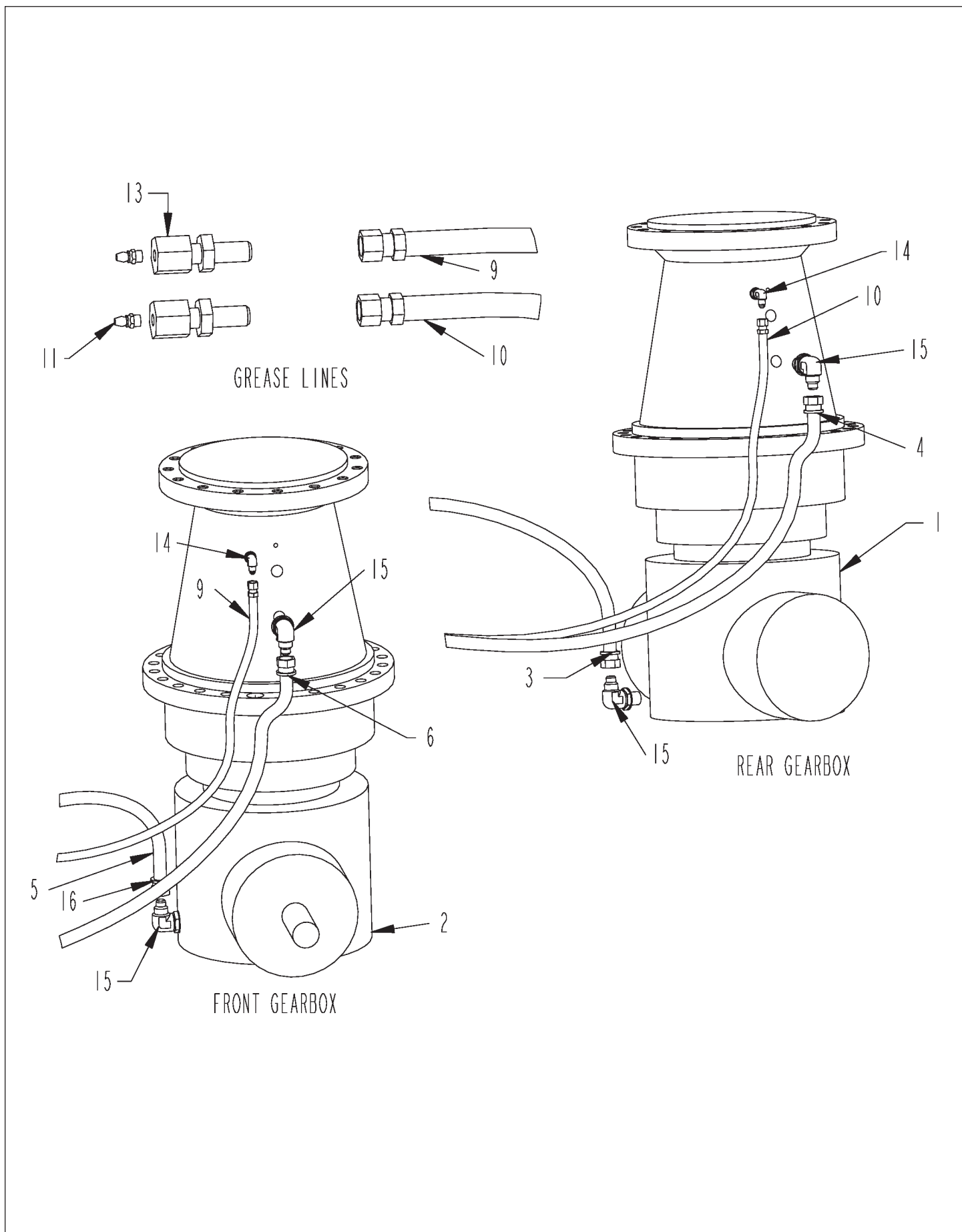


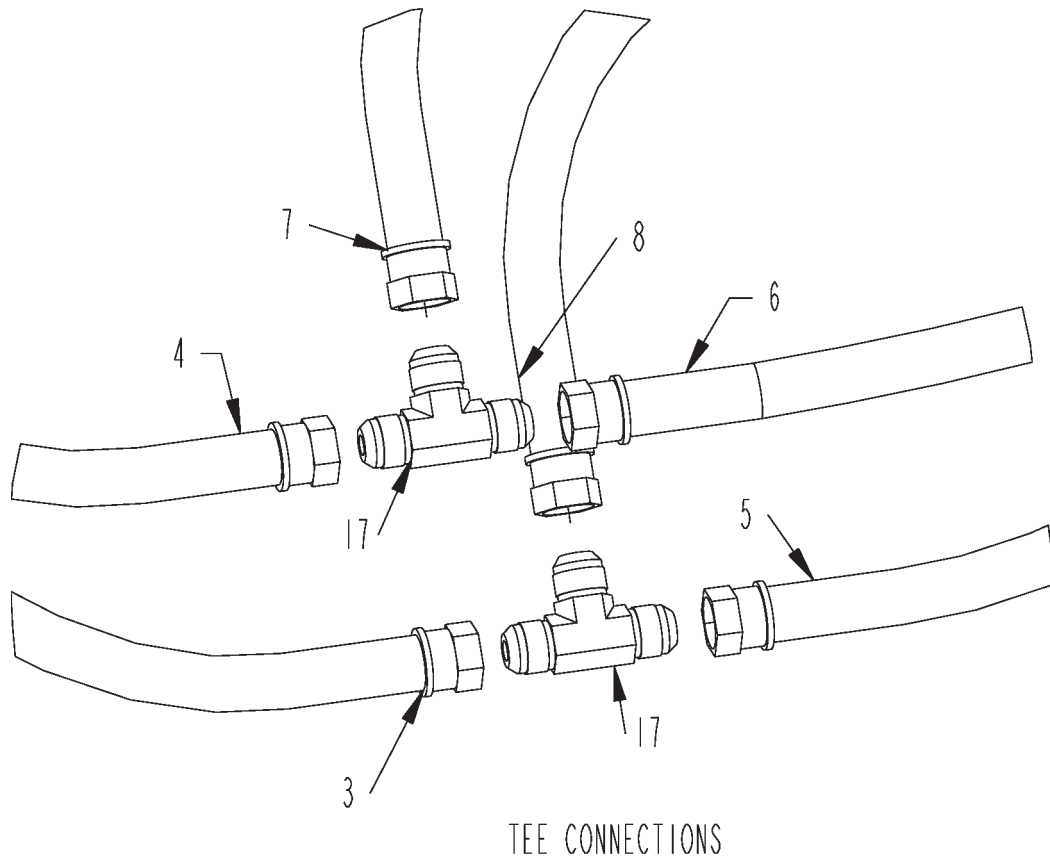
BASE HYDRAULICS - DETAIL A



HYDRAULIC TANK

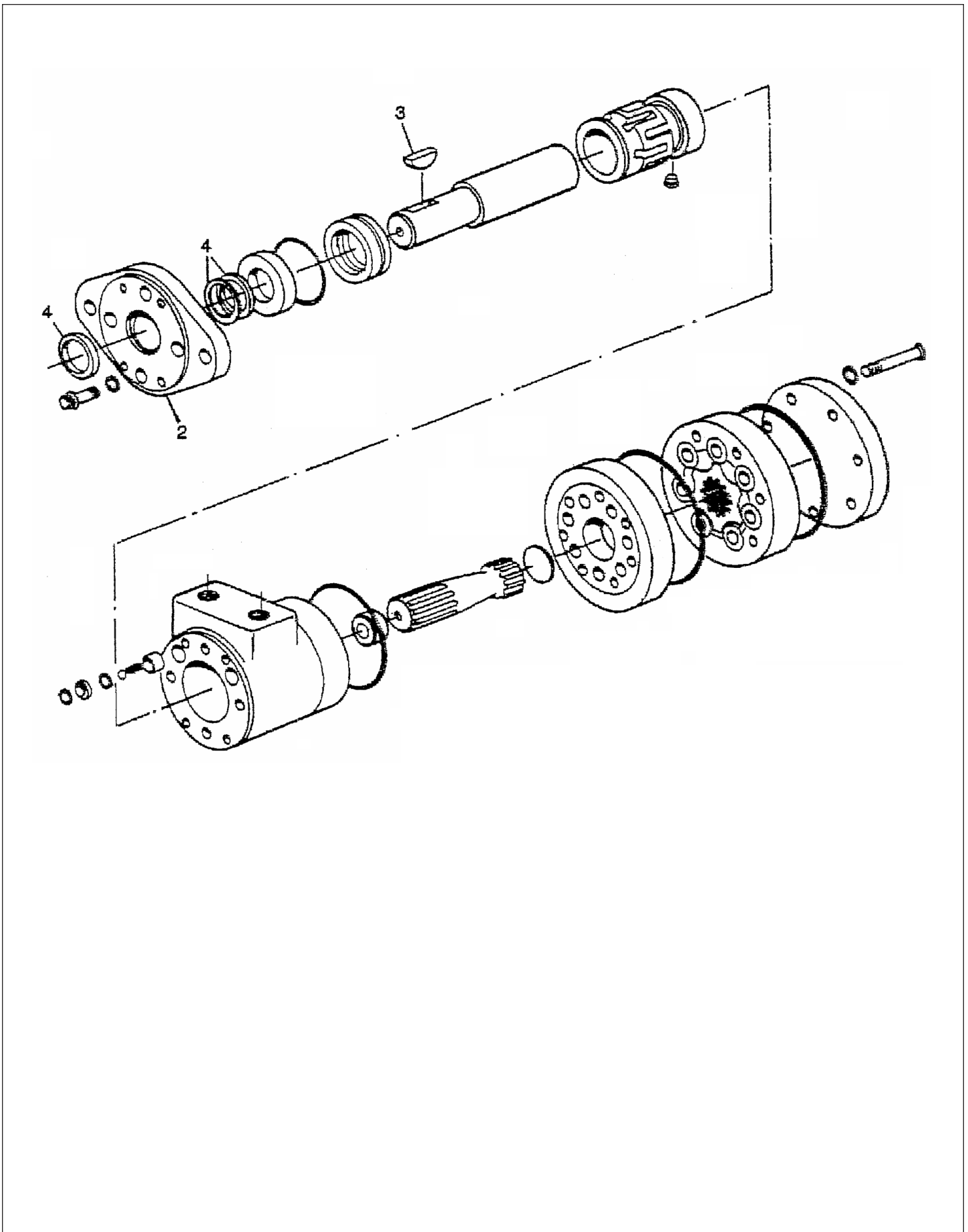
BASE HYDRAULICS - DETAIL B





BASE HYDRAULICS PARTS LIST

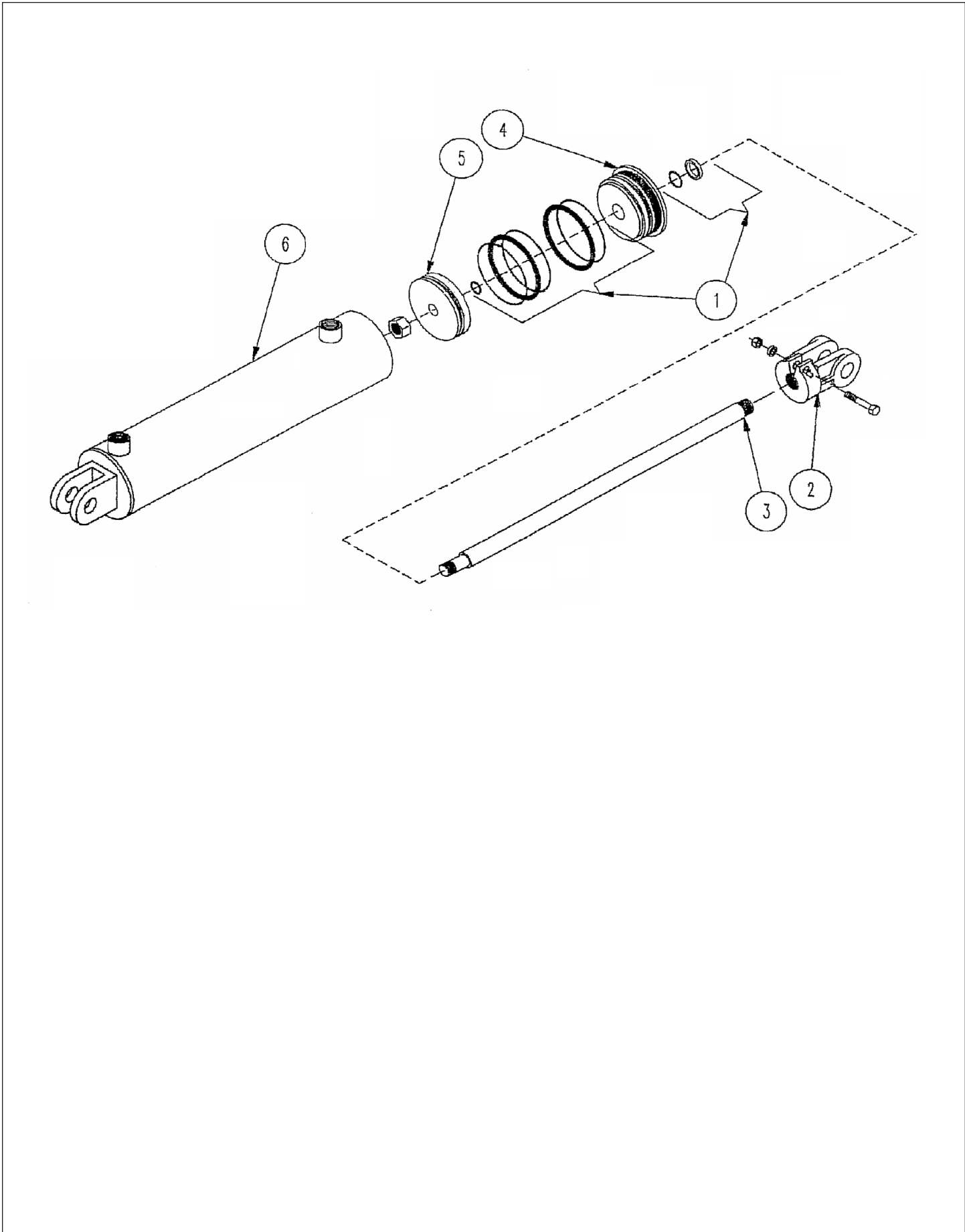
ITEM	PART NO.	QTY.	DESCRIPTION
1	3100207	1	GRBX\PLANETARY\SNGL\1750
2	3100208	1	GRBX\PLANETARY\DBL\1750
3	3700794	1	HOSE\LUB\1/2X129\> LOWER REAR GEARBOX TO LUBE LINE TEE
4	3700795	1	HOSE\LUB\1/2X144\> UPPER REAR GEARBOX TO LUBE LINE TEE
5	3700796	1	HOSE\LUB\1/2X36\> LOWER FRONT GEARBOX TO LUBE LINE TEE
6	3700797	1	HOSE\LUB\1/2X55\> UPPER FRONT GEARBOX TO LUBE LINE TEE
7	3700798	1	HOSE\LUB\1/2X87\> UPPER TANK PORT TO TEE
8	3700799	1	HOSE\LUB\1/2X81\> LOWER TANK PORT TO TEE
9	3700800	1	HOSE\GRS\1/8X72\> FRONT GEARBOX TO BULKHEAD
10	3700801	1	HOSE\GRS\1/8X120\> REAR GEARBOX TO BULKHEAD
11	3800082	2	FTG\LUB\1/4NFXZERK\ADAPT
12	3800537	2	FTG\3/4MORX3/4MJIC\90
13	3800861	2	FTG\7/8MJICX1/2FP\BULKHEAD
14	3800862	2	FTG\7/16MJICX#4BSPP
15	3800863	4	FTG\7/8MJICX#10BSPP
16	3800864	4	FTG\7/8FJICX1/2SHLCK
17	3800866	2	FTG\3/4MJICX3/4MJICX3/4MJIC\TEE
18	4700776	11	CLMP\HOSE\3/8
19	4704506	1	TANK\HYD\ASSY\CMF
20	7500275	1	CAP\VENTED\TANK\OIL
21	7501242	1	GAUGE\LEVEL\5\M12\NOTHERMOMETER



ORBIT MOTORS 3900025-3900032

ITEM	PART	QTY.	PART DESCRIPTION
1	3900025		MTR\HYD\17.9\HA;MNT\7\8FOR O-RING THREAD
	3900032		MTR\HYD\101-1040\22.6CI O-RING
2	3900002	1	MOUNTING FLANGE
3	6200011	1	KEY\WDF\1\4X1\#15\808
4	7501038	1	UNISEAL KIT 007-009

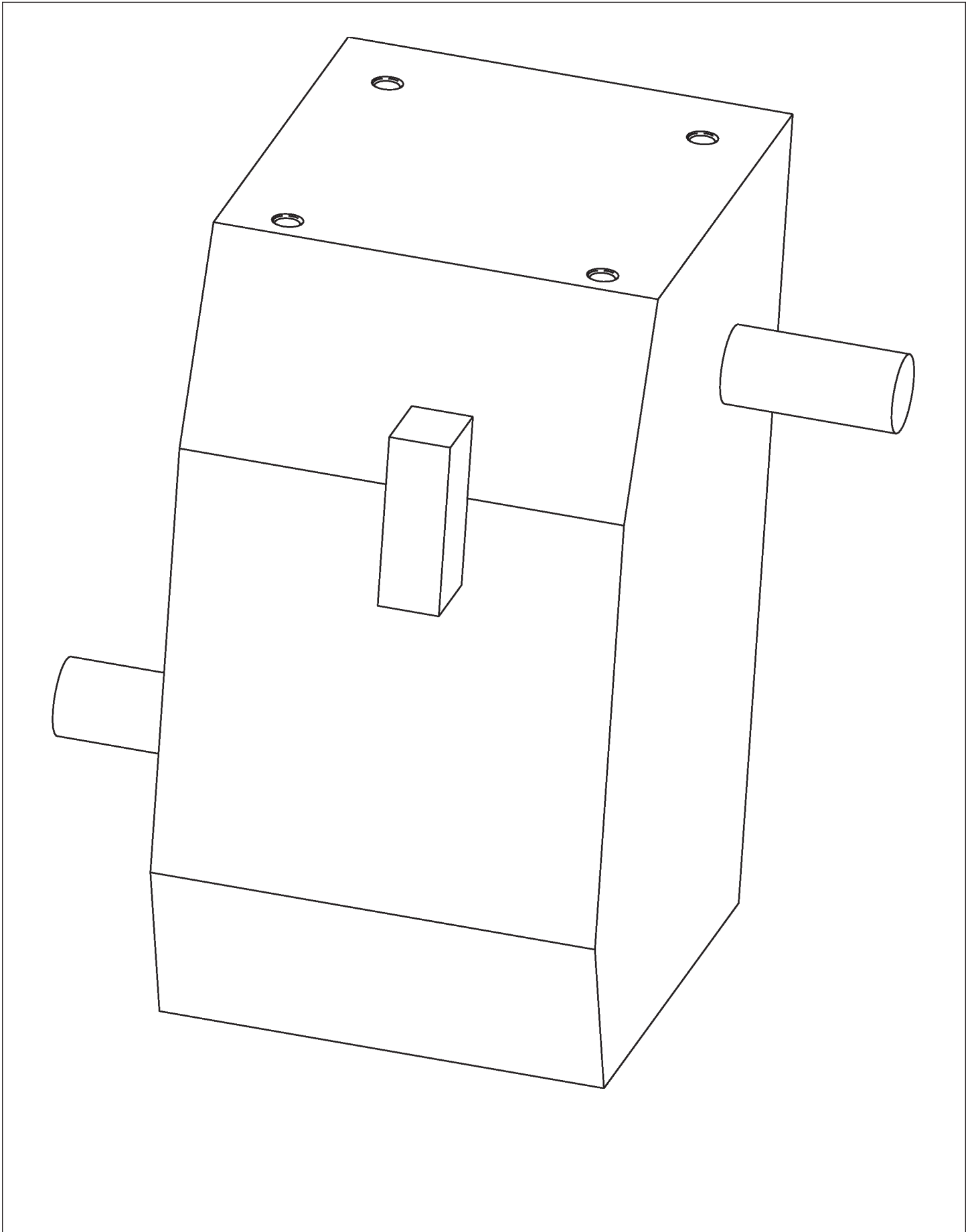
HYDRAULIC CYLINDER ASSEMBLY



HYDRAULIC CYLINDER ASSEMBLY

ITEM	PART	QTY.	PART DESCRIPTION
1	4100226		CYL HYD 2X8\1-1/4RD\WELDED
	4100228		CYL\HYD\SEA;KIT\2X8
1	4100241		CYL\HYD\2X24\1-1/4RD\3000PSI
	4100228		SEAL\KIT\2\1-1/4RD\CTD

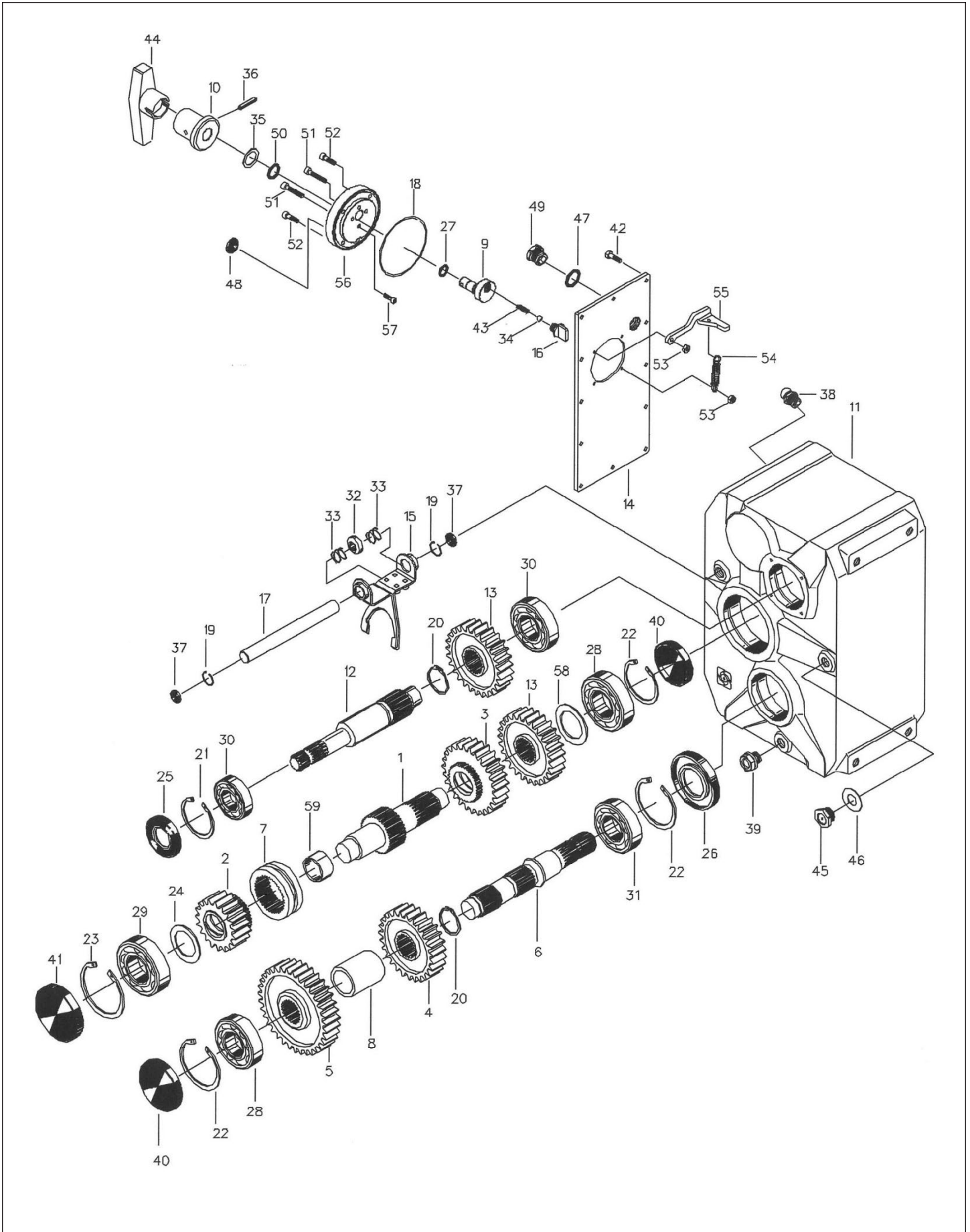
3100212 2-SPEED GEARBOX ASSEMBLY



3100212 2-SPEED GEARBOX ASSEMBLY

QTY	PART NO.	DESCRIPTION
	3100212	GRBX\2SPD\1.8:1\AP502
1	3100217	PLUG\SIGHT\AP502\3/8
1	3100218	PLUG\BRTHR\AP502\1/2
	3100382	SEAL\KIT\GRBX\AP502 (INCLUDES 3100362 & 3100383)
3	3100362	SEAL\COVER\SHFT\AP502\GB01345
2	3100383	SEAL\SHAFT\AP502

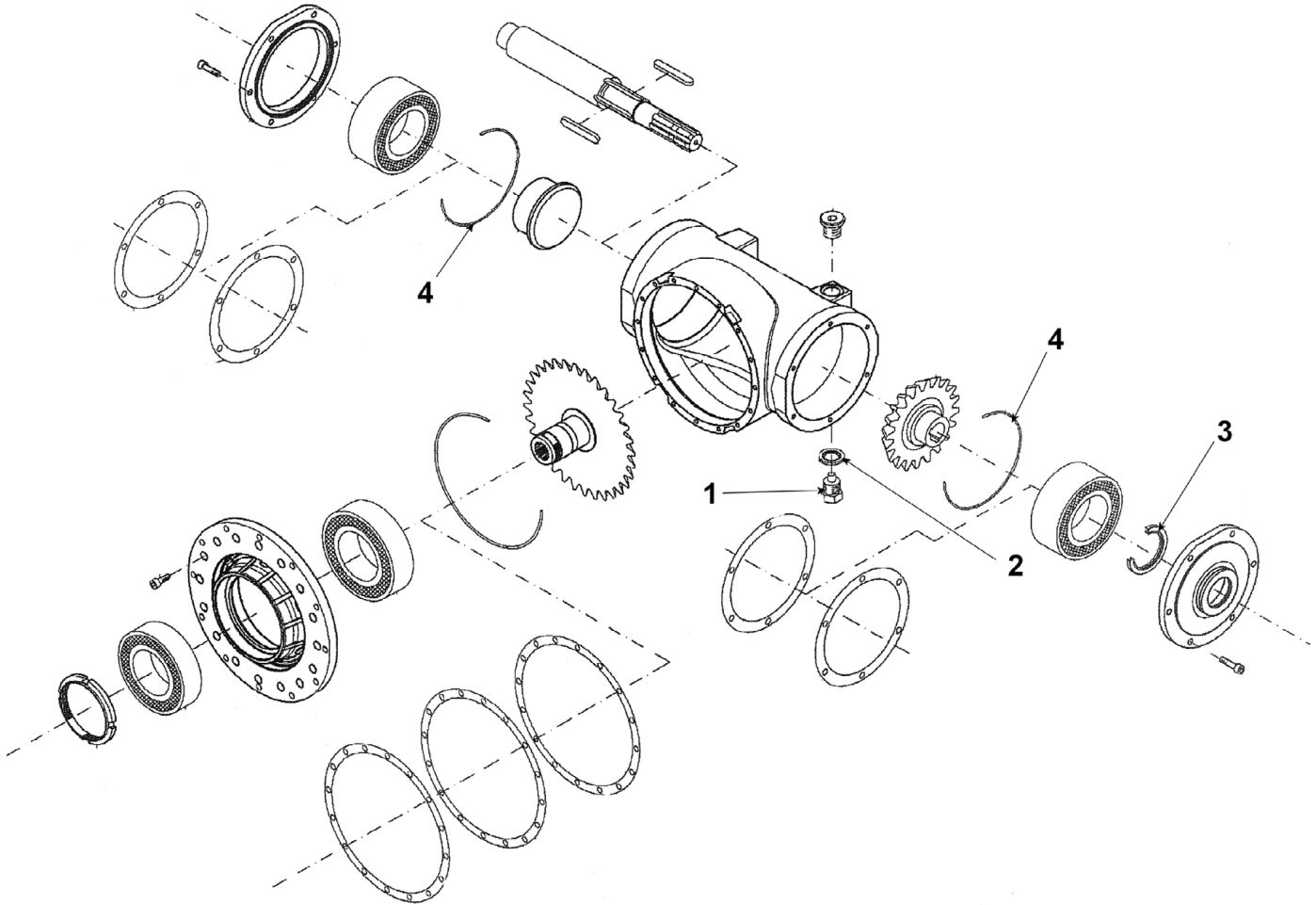
3100225 - 2-SPEED GEARBOX ASSEMBLY



3100225 - 2-SPEED GEARBOX ASSEMBLY

ITEM	PART	QTY.	PART DESCRIPTION
	3100225		GRBX\2SPD\1.84:1\B&P6078
18	3100412	1	ORING\STD\3375
25	3100413	1	SEAL\OIL\B&P\45X85X10
26	3100414	1	SEAL\OIL\B&P\50X90X10
27	3100415	1	ORING\STD\3043
38	3100416	1	PLUG\BRTHR\B&P\1/2
40	3100417	2	PLUG\OIL\B&P\RCA90
41	3100418	1	PLUG\OIL\B&P\RCA110
45	3100419	1	PLUG\OIL\B&P\1/2
46	3100420	1	SLEEVE\B&P\215X268X15
47	3100421	1	ORING\STD\3100
51	3100422	1	SEAL\OIL\B&P\16X22X34

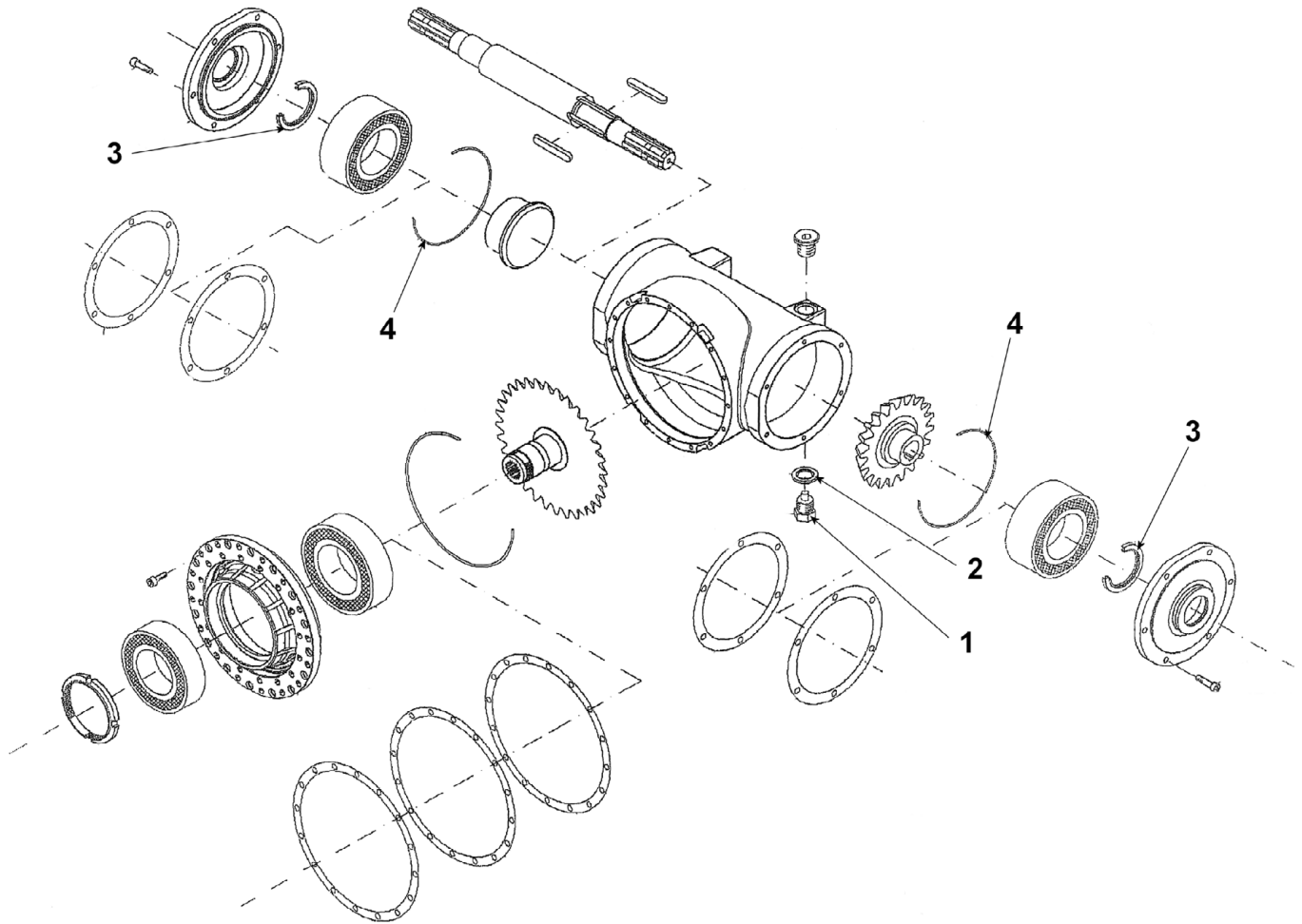
**3100207 SINGLE PLANETARY GEARBOX
(FOR S.N. UP TO 700HJ0028)**



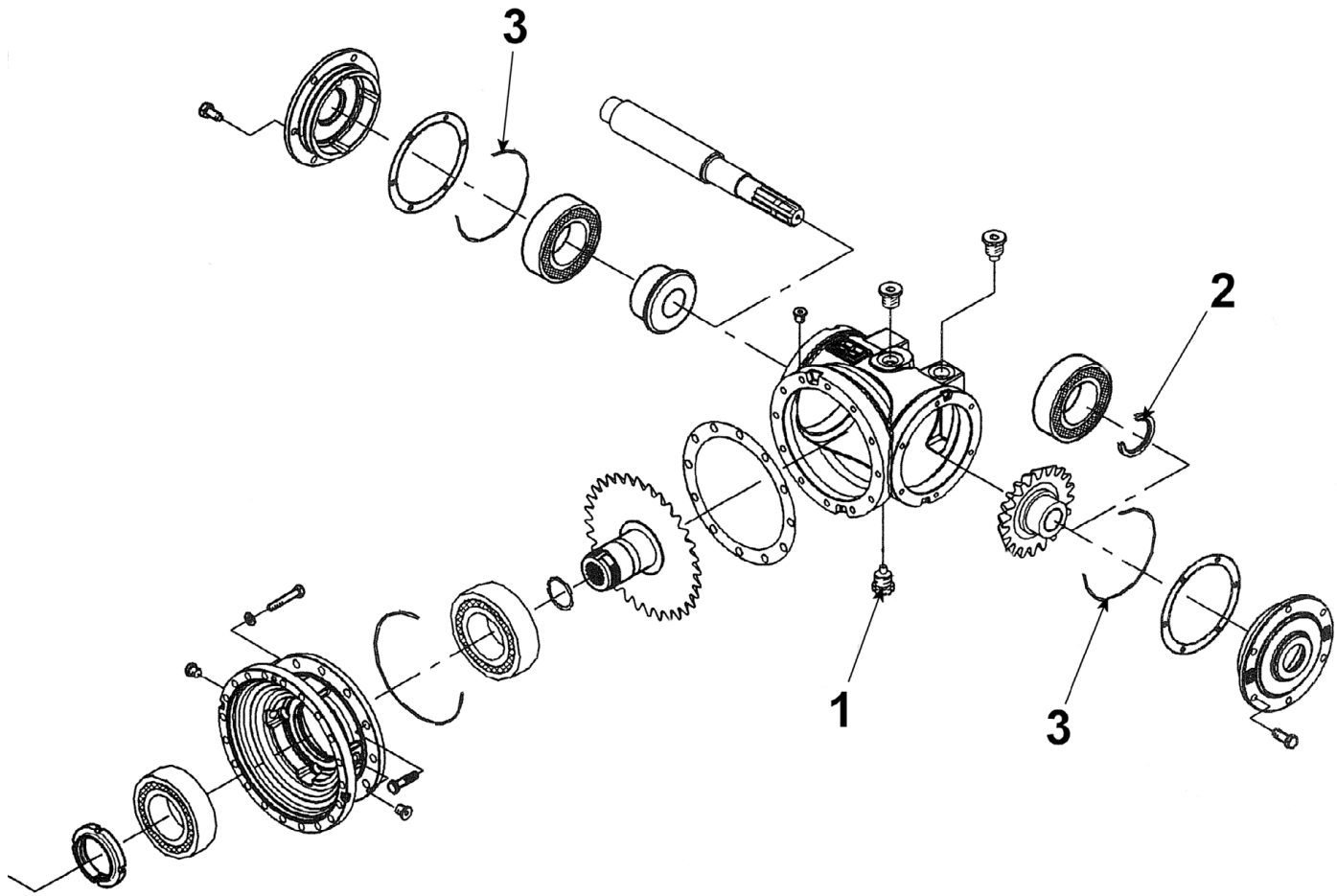
ITEM	PART #	QTY	DESCRIPTION
1	3100406	1	PLUG\MAG\3/4BSPP\GRBX\CMF
2	3100407	1	WASHER\METAL\RBBR\MAG\PLUG
3	3100219	1	SEAL\OIL\INPUT_SHAFT\RA1750\RR_USA
4	3100220	2	O-RING\COVER\INPUT

**3100208 DOUBLE PLANETARY GEARBOX
(FOR S.N. UP TO 700HJ0028)**

ITEM	PART #	QTY	DESCRIPTION
1	3100406	1	PLUG\MAG\3/4BSPP\GRBX\CMF
2	3100407	1	WASHER\METAL\RBBR\MAG\PLUG
3	3100219	2	SEAL\OIL\INPUT_SHAFT\RA1750\RR_USA
4	3100220	2	O-RING\COVER\INPUT



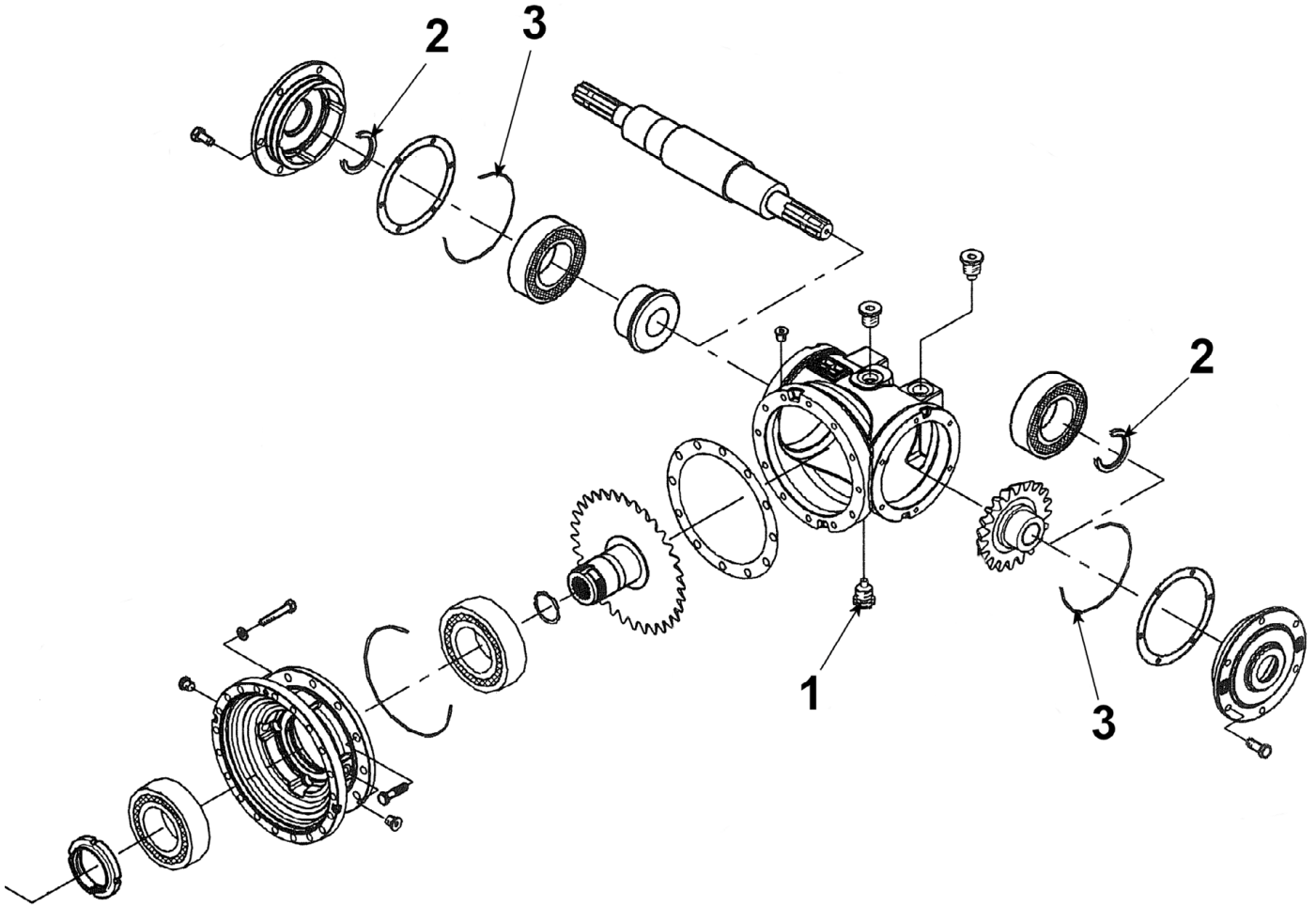
**3100215 SINGLE PLANETARY GEARBOX
(FOR S.N. 700HJ0029 AND UP)**



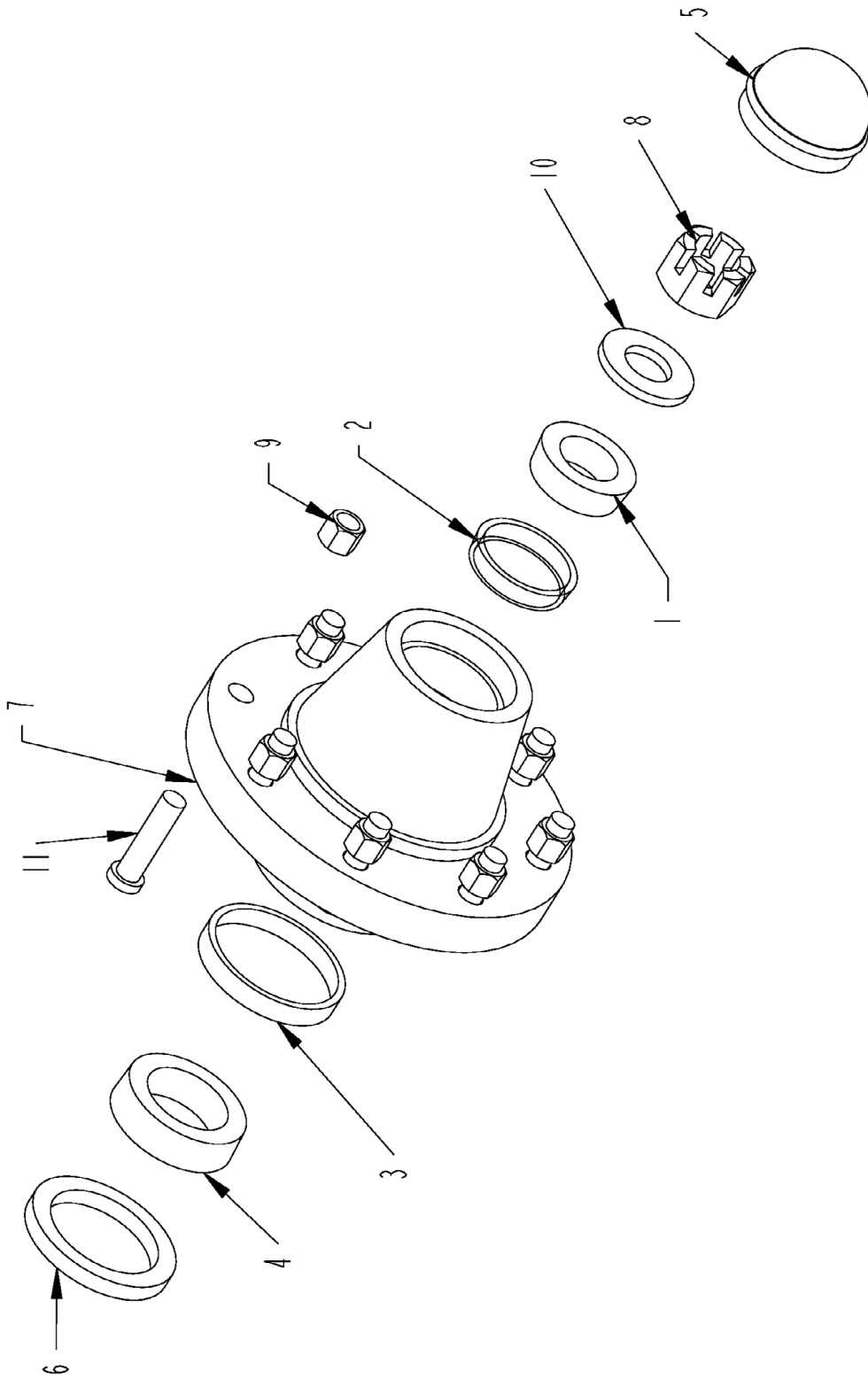
ITEM	PART #	QTY	DESCRIPTION
1	3100365	1	PLUG\MAG\3/4BSPP\GRBX\CMF
2	3100395	1	SEAL\OIL\INPUT\RR1800
3	3100396	2	ORING\COVER\INPUT\RR1800

**3100216 DOUBLE PLANETARY GEARBOX
(FOR S.N. 700HJ0029 AND UP)**

ITEM	PART #	QTY	DESCRIPTION
1	3100365	1	PLUG\MAG\3/4BSPP\GRBX\CMF
2	3100395	2	SEAL\OIL\INPUT\RR1800
3	3100396	2	ORING\COVER\INPUT\RR1800



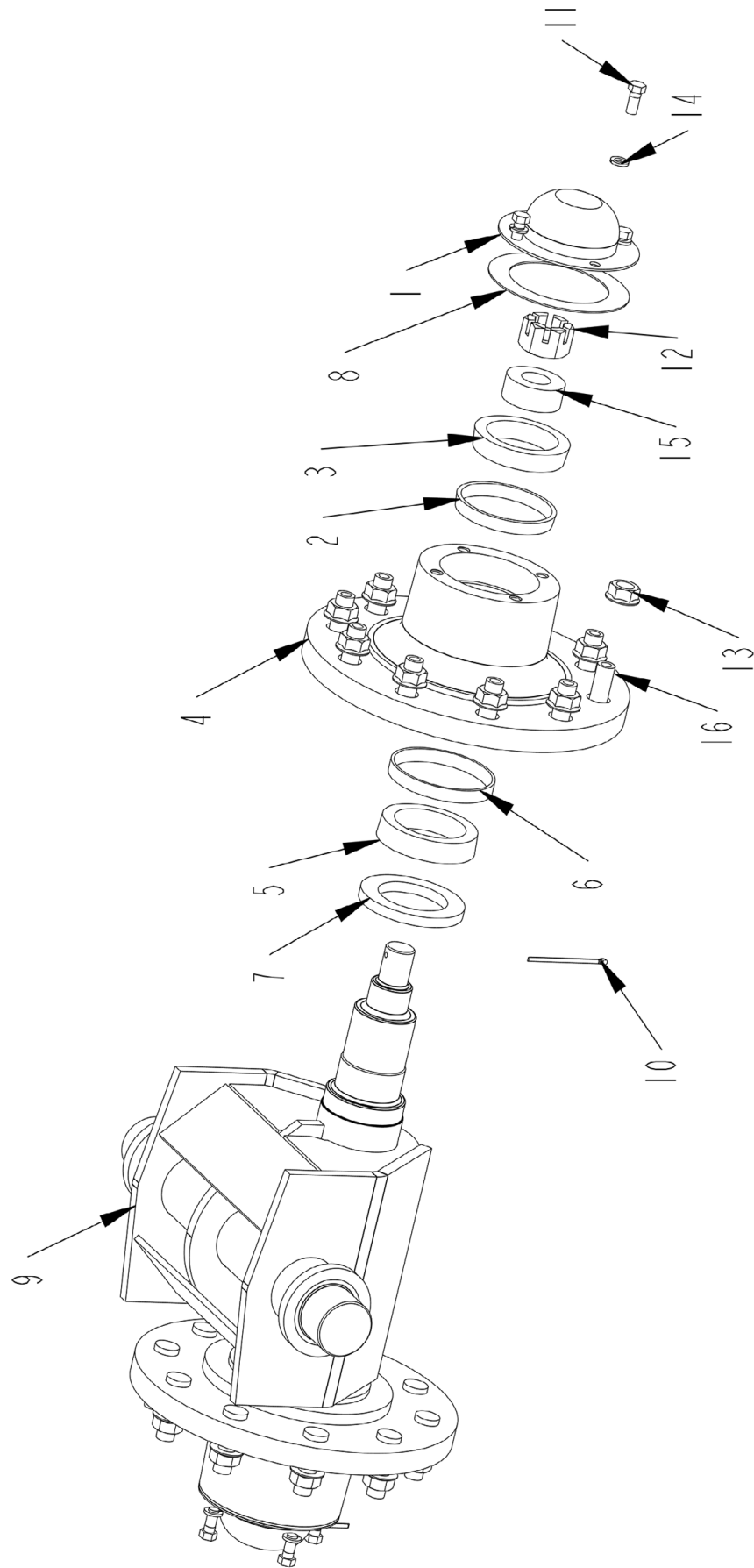
HUB ASSEMBLY (FOR S.N. UP TO 700GJ0027)



HUB ASSEMBLY (FOR S.N. UP TO 700GJ0027)

ITEM	PART	QTY.	PART DESCRIPTION
1	2900145	1	HUB\10-BOLT\1.25"BC
2	2900146	1	CAP\DUST\H1010 (DC27)
3	2900147	1	BRG\CUP\INNER\H1010 (39520)
4	2900148	1	HUB\H1010\CONE\INNER (39585)
5	2900149	1	HUB\H1010\CUP\OUTER (453A)
6	2900150	1	HUB\H1010\CONE\OUTER (460)
7	2900151	1	SEAL\GREASE\H1010 (SE48)
8	4900053	1	NUT\CASTLE\1-1/4\NF
9	4900176	10	NUT\WHL\FLG\3/4-16
10	5000065	1	WASH\2.5OD\1.25ID\224

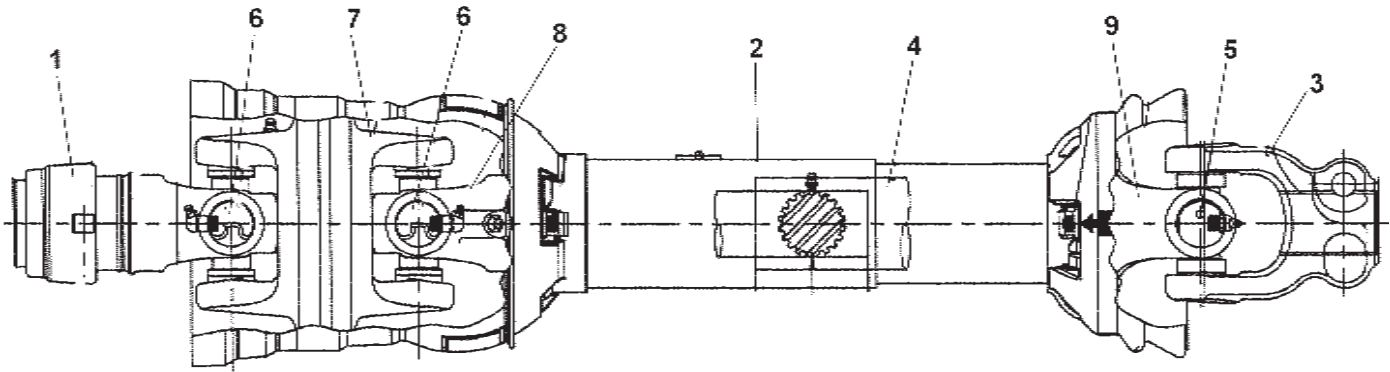
HUB AND SWIVEL AXLE (S.N. 700HJ0028 AND UP)



HUB AND SWIVEL AXLE (S.N. 700HJ0028 AND UP)

ITEM	PART	QTY.	PART DESCRIPTION
1	2900146	2	CAP\DUST\H817
2	2900149	2	HUB\H817\CUP\OUTER
3	2900150	2	HUB\H817\CONE\OUTER
4	2900154	2	HUB\10-BOLT\11.25"BC (INCLUDES #1-3, 5-8, 10-13 & 15-16)
5	2900156	2	H1010-11\CONE\INNER
6	2900157	2	CUP\INNER\WHL:HUB(48510
7	2900158	2	SEAL\GREASE\H817
8	2900173	2	SEAL\HUB\DUST_CAP\H1010
9	4704874	1	MNT\AXLE
10	4800535	2	PIN\COT\3/16X3-1/4
11	4800630	8	BOLT\HEX\7/16X1\GR8\NF
12	4900053	2	NUT\CASTLE\1-1/4\NF
13	4900176	20	NUT\WHL\FLG\3/4-16
14	5000015	8	WASH\LOCK\7/16
15	5000133	2	WASH\SPNDL\2-1/2X1-1/4X1.312
16	2900159	20	STUD\WHL\3/4-16X2-5/8 GR8
	4704893		AXLE\ASSY\CMF700

STANDARD DRIVELINE - 3600530

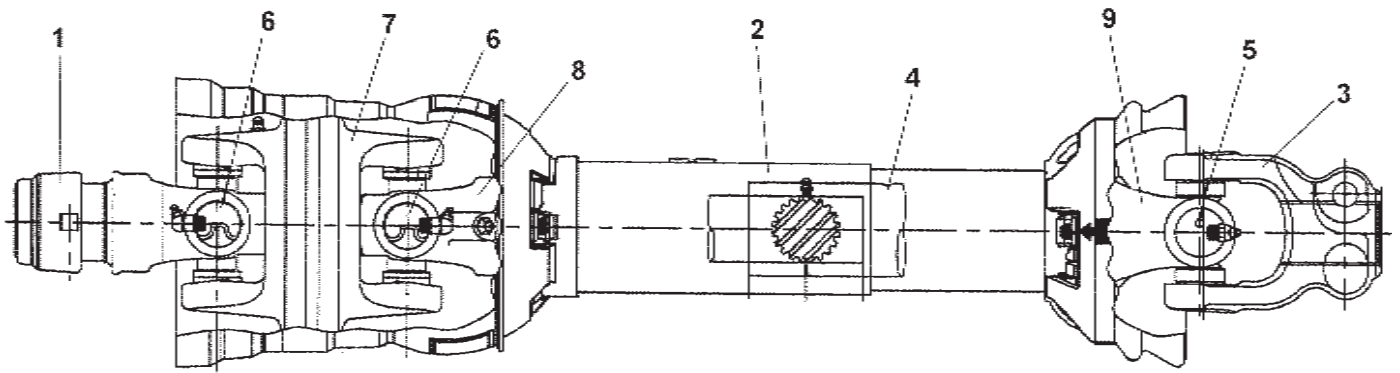


1-3/4 - 20 SPLINE

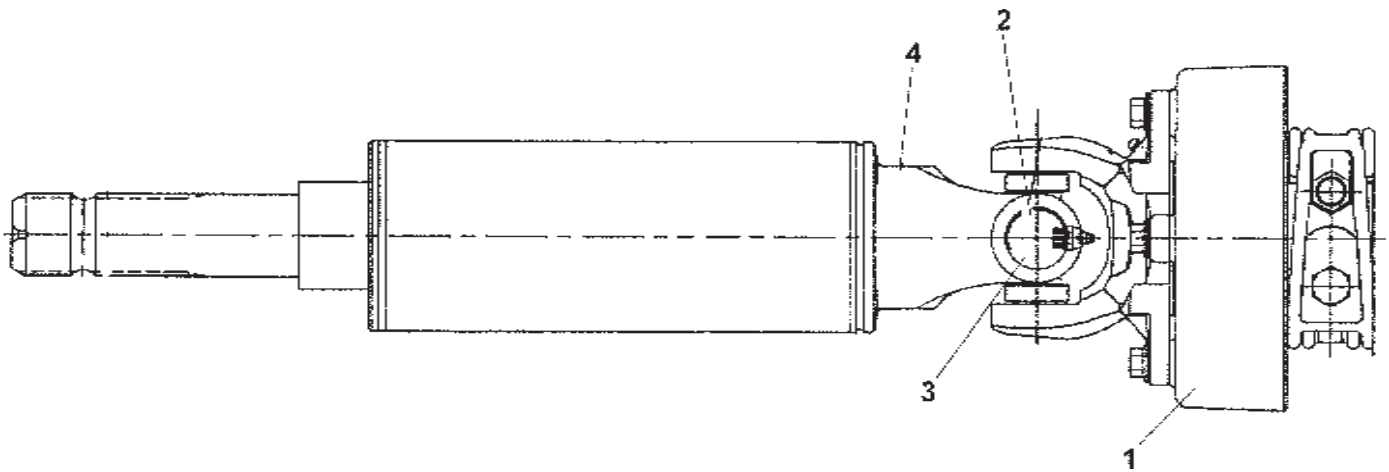
ITEM	PART NO.	DESCRIPTION
1	3600569	JOINT&SHFT\44E\CV\20SPL
2	3600570	GUARD\PTO\FRNT\OUTER
3	3600571	JOINT&TUBE\44E\U\20SPL
4	3600572	GUARD\PTO\REAR\INNER
5	3600604	CROSS&BRG\44E\WSLR
6	3600605	CROSS&BRG\CAT5\80DEG\CV
7	3600701	CENTER HOUSING
8	3600702	YOKE&SHAFT\44E\CV\20SPL
9	3600703	YOKE&TUBE&SLEEVE\44E\U\20SPL

1-3/8 - 21 SPLINE (OPTIONAL)

ITEM	PART NO.	DESCRIPTION
1	3600577	JOINT&SHAFT\44E\CV\21SPL
2	3600578	GUARD\PTO\FRNT\OUTER
3	3600579	JOINT&TUBE\44E\U\20SPL
4	3600580	GUARD\PTO\REAR\INNER
5	3600604	CROSS&BRG\44E\WSLR
6	3600605	CROSS&BRG\CAT5\80DEG\CV
7	3600701	CENTER HOUSING
8	3600704	YOKE&SHAFT\44E\CV\21SPL
9	3600705	YOKE & TUBE&SLEEVE\44E\U\20SPL



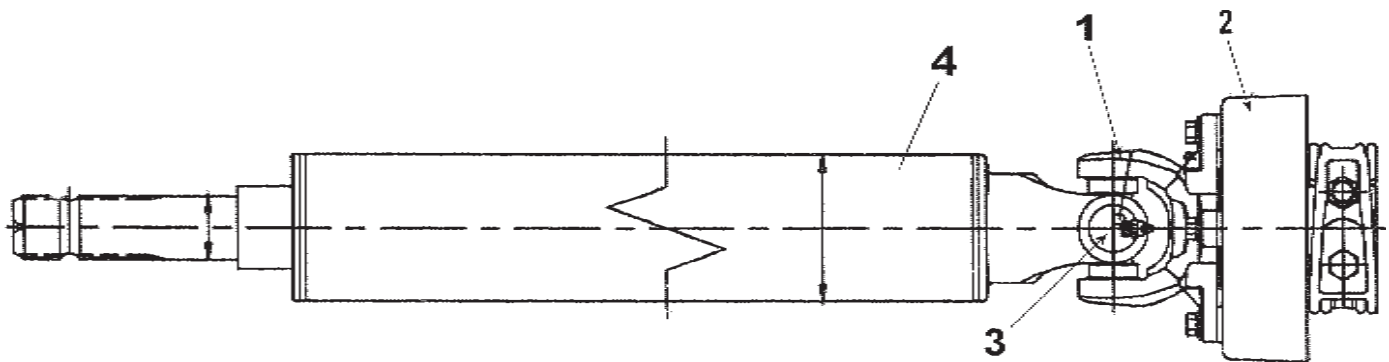
STANDARD DRIVELINE - 3600493 (FOR S.N. UP TO 700GJ0027)



1-3/4 - 20 SPLINE

ITEM	PART NO.	DESCRIPTION
1	3600529	CLUTCH\PACK\21K\AUTO
2	3600591	YOKE&HUB\44E\CLTCH\20SPL
3	3600604	CROSS&BRG\44E\WSLR
4	3600711	YOKE&TUBE&SPLINDLE\44E\20SPL

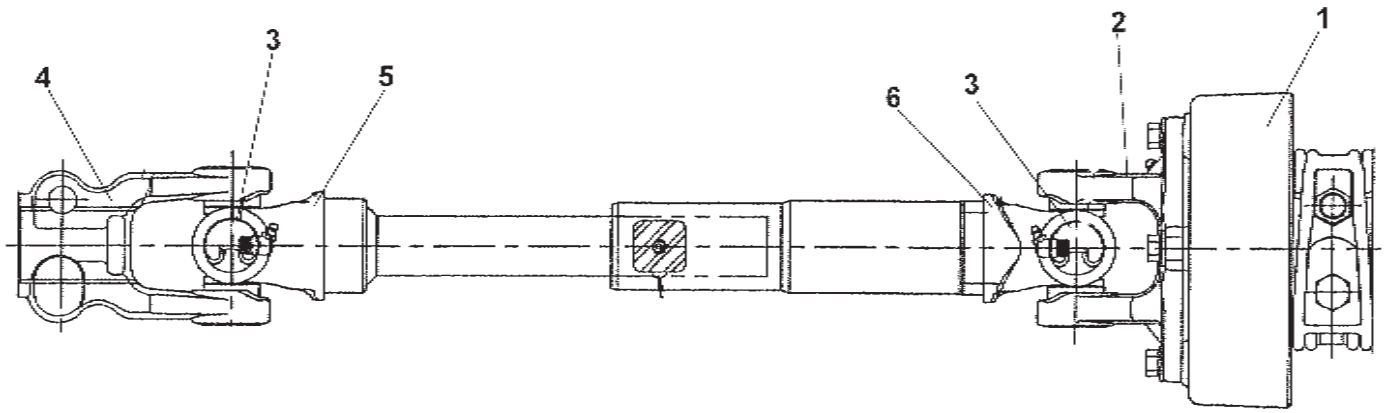
STANDARD DRIVELINE - 3600647 (FOR S.N. 700HJ0028 AND UP)



1-3/4 - 20 SPLINE

ITEM	PART NO.	DESCRIPTION
1	3600529	CLUTCH\PACK\21K\AUTO
2	3600591	YOKE&HUB\44E\CLTCH\20SPL
3	3600604	CROSS&BRG\44E\WSLR
4	3600712	YOKE&TUBE&SPINDLE\44E\20SPL

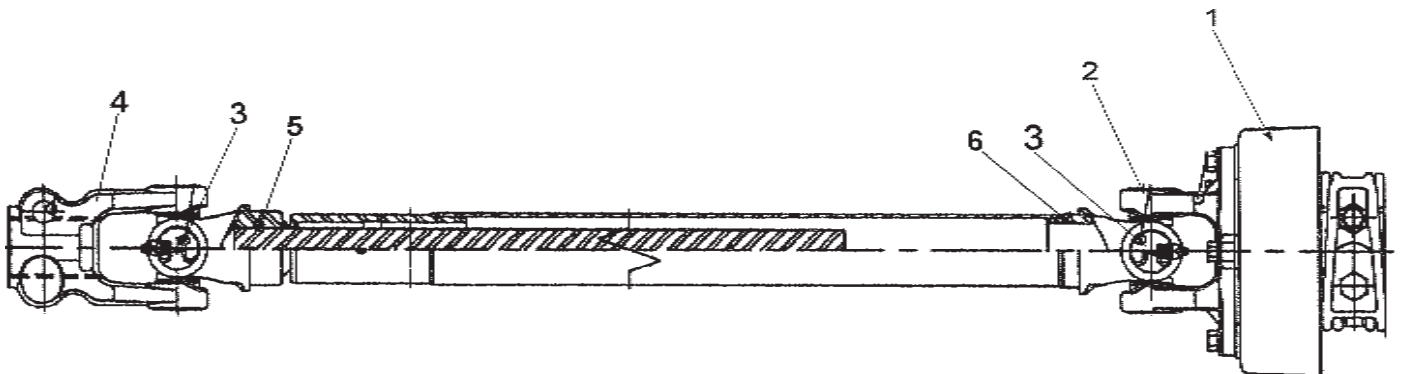
STANDARD DRIVELINE - 3600551 (FOR S.N. UP TO 700GJ0027)



1-3/4 - 20 SPLINE

ITEM	PART NO.	DESCRIPTION
1	3600550	CLUTCH\PACK\12K\AUTO
2	3600592	YOKE&HUB\35E\CLTCH\20SPL
3	3600606	CROSS&BRG\35E\WLSR
4	3600713	YOKE\35E\20SPL
5	3600714	YOKE&SHAFT\35E\20SPL
6	3600721	YOKE&TUBE&SLEEVE\35E\20SPL

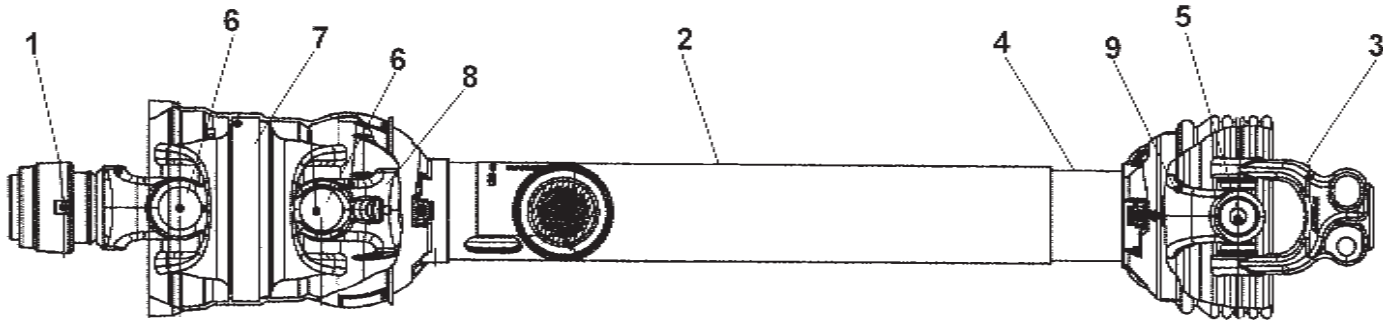
STANDARD DRIVELINE - 3600648 (FOR S.N. 700HJ0028 AND UP)



1-3/4 - 20 SPLINE

ITEM	PART NO.	DESCRIPTION
1	3600550	CLUTCH\PACK\12K\AUTO
2	3600592	YOKE&HUB\35E\CLTCH\20SPL
3	3600606	CROSS&BRG\35E\WLSR
4	3600713	YOKE\35E\20SPL
5	3600714	YOKE&SHAFT\35E\20SPL
6	3600715	YOKE&TUBE&SLEEVE\35E\20SPL

2-SPEED DRIVELINE - 3600553



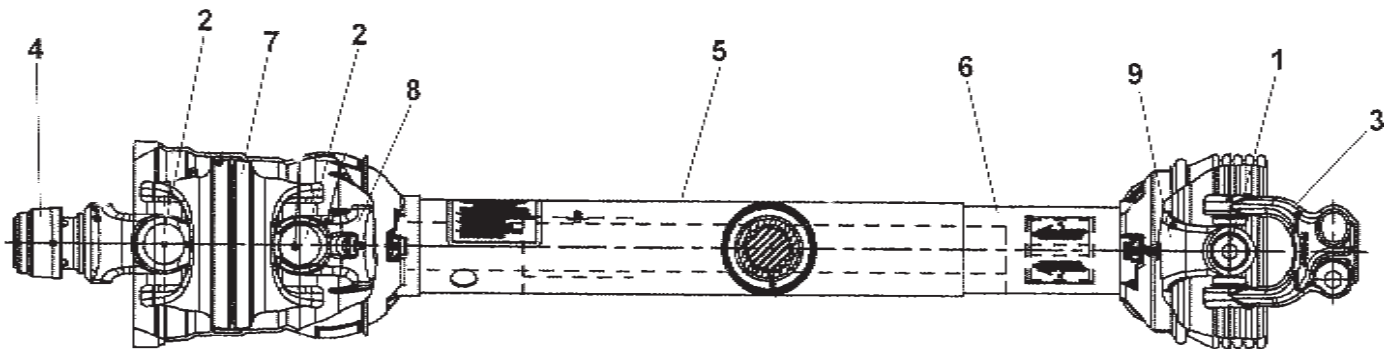
1-3/4 - 20 SPLINE

ITEM	PART NO.	DESCRIPTION
1	3600585	JOINT&SHFT\44E\CV\20SPL
2	3600586	GUARD\PTO\FRNT\OUTER
3	3600587	JOINT&TUBE\44E\U\20SPL
4	3600588	GUARD\PTO\REAR\INNER
5	3600604	CROSS&BRG\44E\WSLR
6	3600607	CROSS&BRG\CAT6\80DEG\CV
7	3600706	CV CENTER HOUSING
8	3600707	YOKE&SHAFT\44E\CV\20SPL
9	3600708	YOKE&SHAFT&SLEEVE\44E\U\20SPL

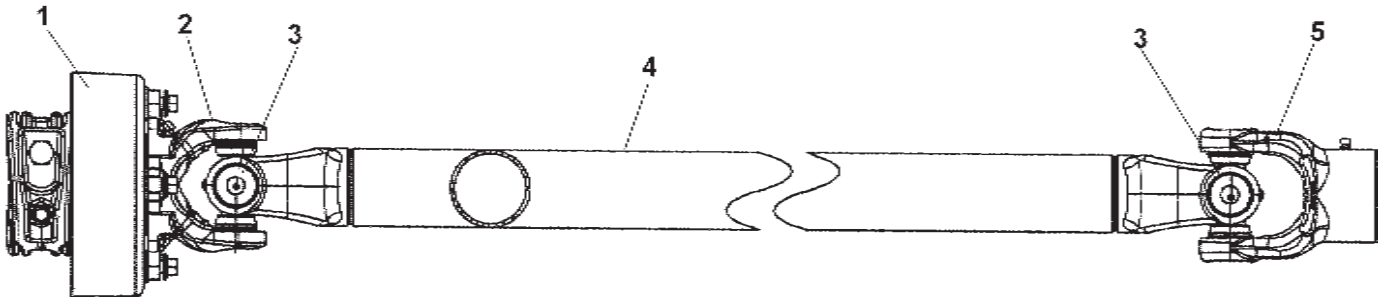
2-SPEED DRIVELINE - 3600619

1-3/8 - 21 SPLINE (OPTIONAL)

ITEM	PART NO.	DESCRIPTION
1	3600604	CROSS&BRG\44E\WSLR
2	3600607	CROSS&BRG\CAT6\80DEG\CV
3	3600621	JOINT&TUBE\44E\CV\21SPL
4	3600622	JOINT&SHAFT\44E\U\20SPL
5	3600623	GUARD\PTO\FRNT\OUTER
6	3600624	GUARD\PTO\REAR\INNER
7	3600706	CV CENTER HOUSING
8	3600709	YOKE&SHAFT\CAT6\80DEG\CV
9	3600710	YOKE&SHAFT&SLEEVE\44E\U\20SPL



2-SPEED DRIVELINE - 3600554 (FOR S.N. UP TO 700GJ0027)

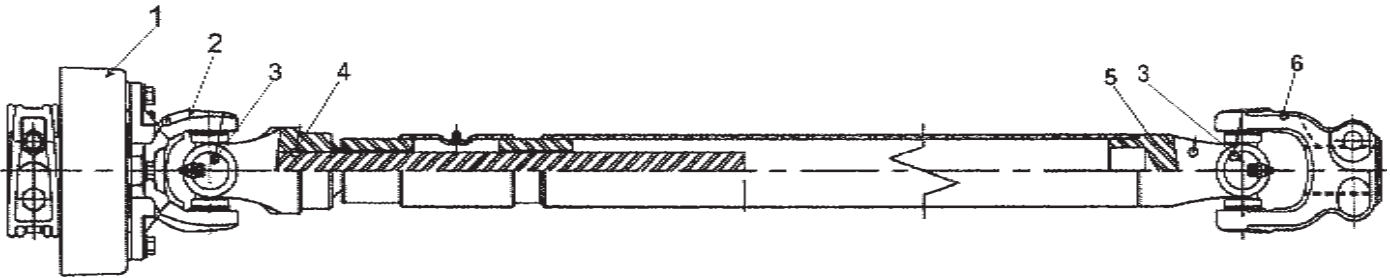


1-3/4 - 20 SPLINE

ITEM PART NO. DESCRIPTION

ITEM	PART NO.	DESCRIPTION
1	3600529	CLUTCH\PACK\21K\AUTO
2	3600591	YOKE&HUB\44E\CLTCH\20SPL
3	3600604	CROSS&BRG\44E\WSLR
4	3600706	CV CENTER HOUSING
5	3600717	YOKE\44E\20SPL

2 SPEED DRIVELINE - 3600649 (FOR S.N. 700HJ0028 AND UP)

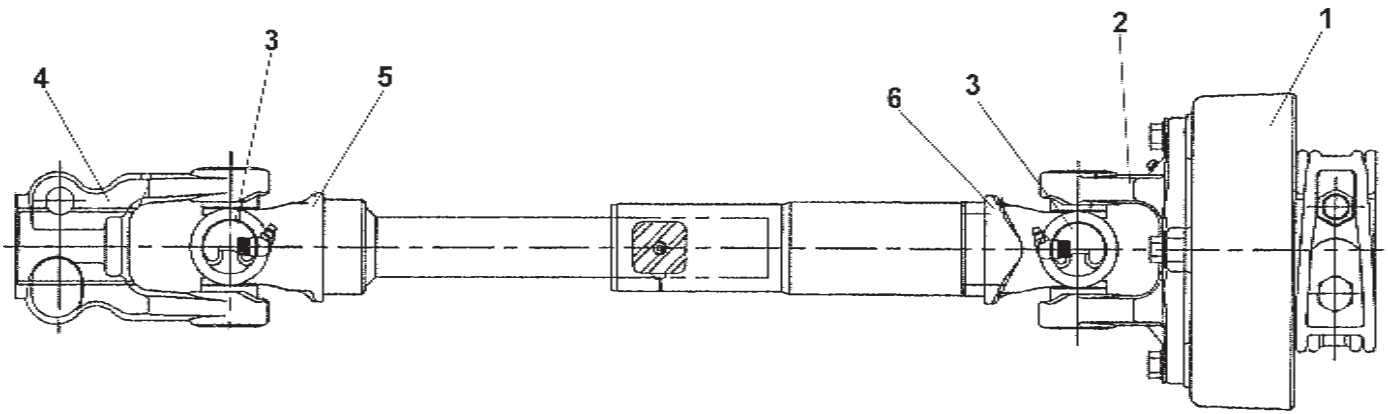


1-3/4 - 20 SPLINE

ITEM PART NO. DESCRIPTION

ITEM	PART NO.	DESCRIPTION
1	3600529	CLUTCH\PACK\21K\AUTO
2	3600591	YOKE&HUB\44E\CLTCH\20SPL
3	3600604	CROSS&BRG\44E\WSLR
4	3600718	YOKE&SHAFT\44E\20SPL
5	3600719	YOKE&TUBE&SLEEVE\44E\20SPL
6	3600720	YOKE\44E\20SPL

2-SPEED DRIVELINE - 3600551 (FOR S.N. UP TO 700GJ0027)

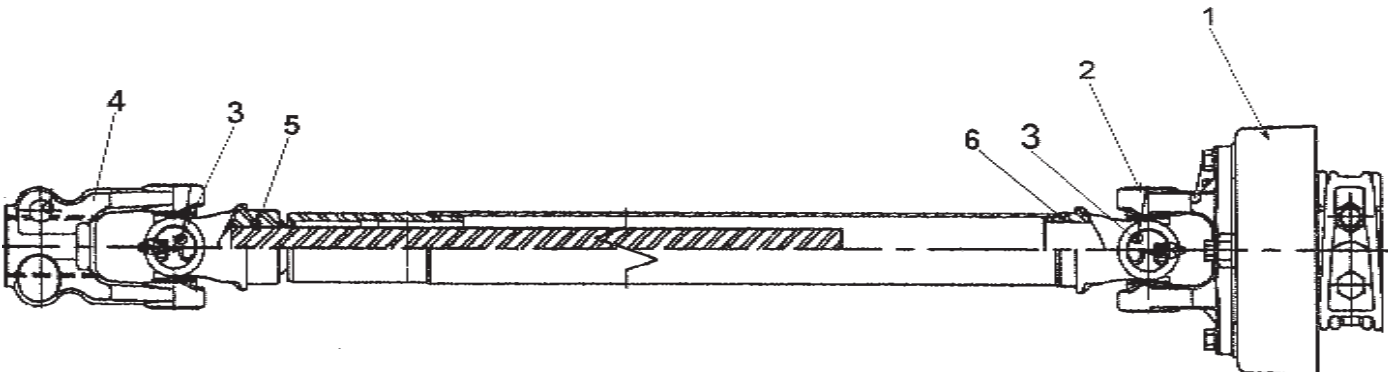


1-3/4 - 20 SPLINE

ITEM PART NO. DESCRIPTION

ITEM	PART NO.	DESCRIPTION
1	3600550	CLUTCH\PACK\12K\AUTO
2	3600592	YOKE&HUB\35E\CLTCH\20SPL
3	3600606	CROSS&BRG\35E\WLSR
4	3600713	YOKE\35E\20SPL
5	3600714	YOKE&SHAFT\35E\20SPL
6	3600721	YOKE&TUBE&SLEEVE\35E\20SPL

2 SPEED DRIVELINE - 3600648 (FOR S.N. 700HJ0028 AND UP)



1-3/4 - 20 SPLINE

ITEM PART NO. DESCRIPTION

ITEM	PART NO.	DESCRIPTION
1	3600550	CLUTCH\PACK\12K\AUTO
2	3600592	YOKE&HUB\35E\CLTCH\20SPL
3	3600606	CROSS&BRG\35E\WLSR
4	3600713	YOKE\35E\20SPL
5	3600714	YOKE&SHAFT\35E\20SPL
6	3600715	YOKE&TUBE&SLEEVE\35E\20SPL



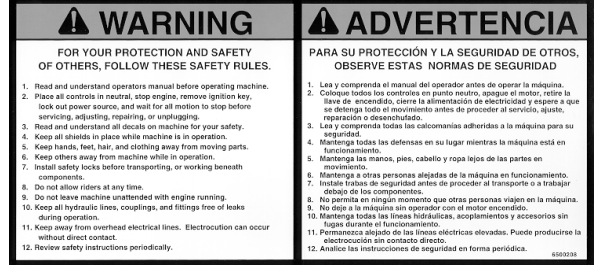
1.



2.



3.



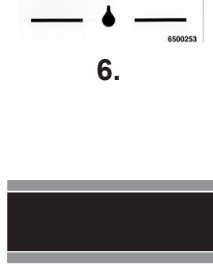
4.



8.



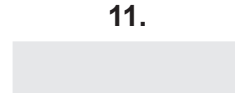
5.



6.



10.



11.

12.

CMF-700

14.



9.



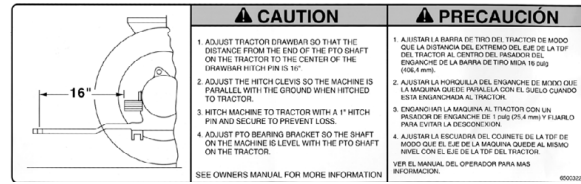
13.



18.

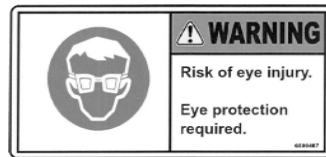


15.

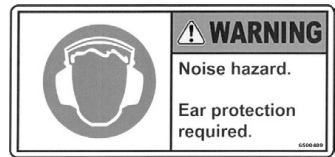


16.

4
3
2
1
17.



19.



20.



21.



22.

DECALS

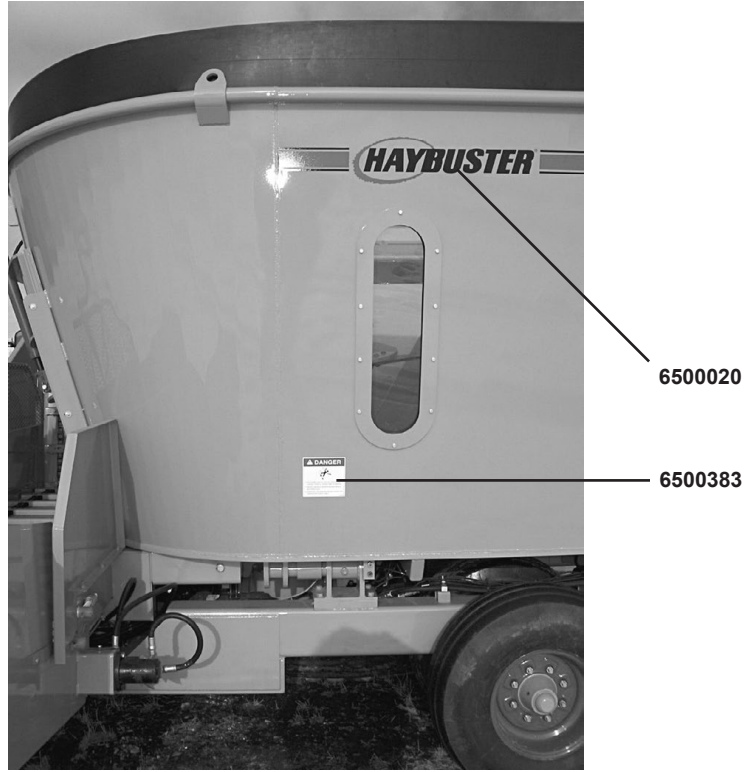
ITEM	PART	QTY.	PART DESCRIPTION
1	6500020	3	DECAL\LOGO\HYBSTR\SNBRS\3
2	6500039	1	DECAL\INFO\S\NDURATECH
3	6500085	1	DECAL\DNGR\ROTATING;DR-LNE
4	6500208	1	DECAL\WARN\GENERAL
5	6500220	1	DECAL\WARN\HI;PRESS;FLUID
6	6500253	1	DECAL\INFO\FLUID;LEVEL\
7	6500302	7'-6"	DECAL\LOGO\STRIP\3\RD&BLK
8	6500304	1	DECAL\LOGO\HYBSTR\1-3/4W/
9	6500339	2	DECAL\WARN\PINCH;POINT
10	6500366	1	DECAL\SMV
11	6500376	1'-6"	DECAL\MISC\TAPE\RED
12	6500377	4'-6"	DECAL\MISC\TAPE\AMBER
13	6500383	2	DECAL\WARN\AUGER\MIXER
14	6500384	2	DECAL\LOGO\CMF700
15	6500391	1	DECAL\CAUT\ADJDRWBAR\20"
			(used only with a 1-3/4" 20-splined PTO)
16	6500322	1	DECAL\CAUTION\ADJ.DRAWBAR\16"
			(used only with a 1-3/8" 21-splined PTO)
17	6500437	1	DECAL\LOCATOR\DOOR
18	6500043	1	DECAL\WARN\NO;RIDERS
19	6500487	1	DECAL\WARN\PPE\EYE
20	6500488	1	DECAL\WARN\PARTS\MOVING
21	6500489	1	DECAL\WARN\PPE\HEARING
22	6500490	1	DECAL\WARN\NO STEP

6500387

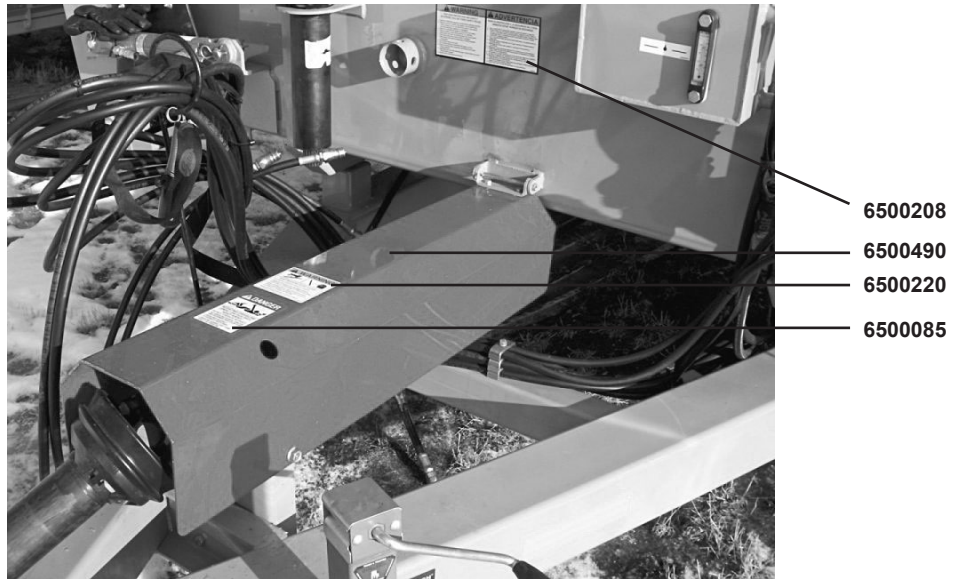
DECAL\KIT\CMF\700

7500077	12 OZ	YELLOW SPRAY PAINT
7500092	QUART	YELLOW PAINT
7500091	GALLON	YELLOW PAINT
7500078	12 OZ	RED SPRAY PAINT
7500105	QUART	RED PAINT
7500104	GALLON	RED PAINT

DECAL LOCATIONS

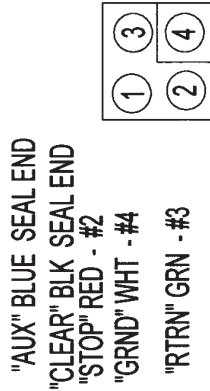


DECAL LOCATIONS

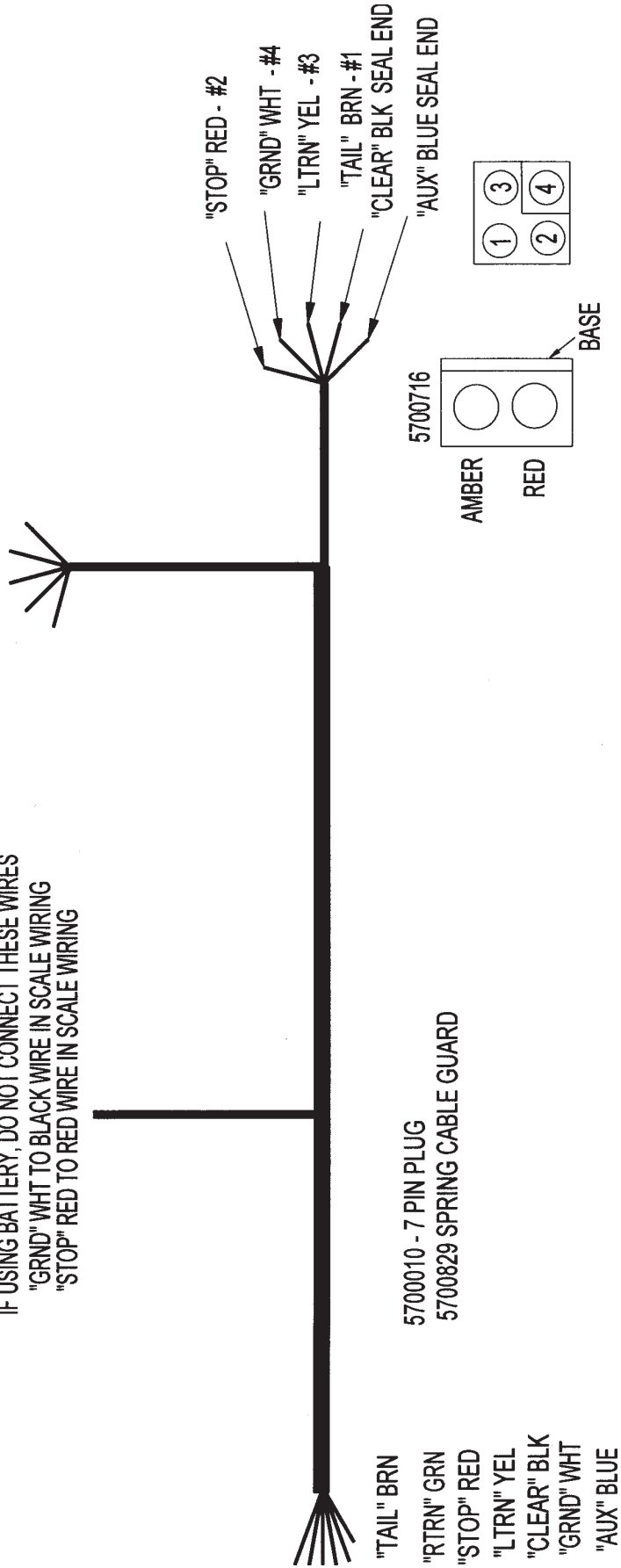
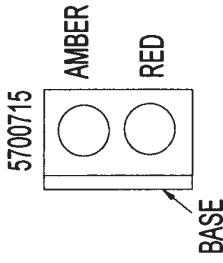


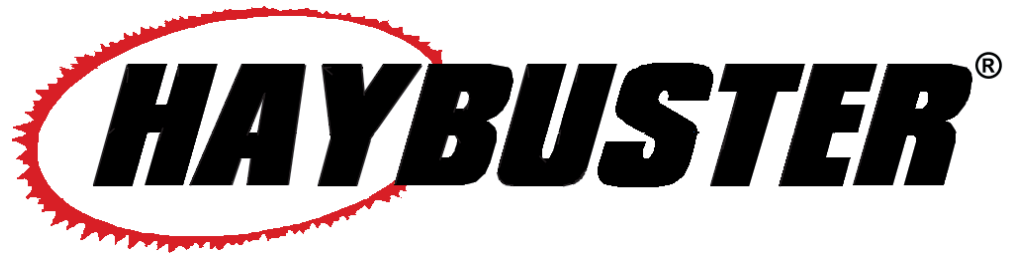
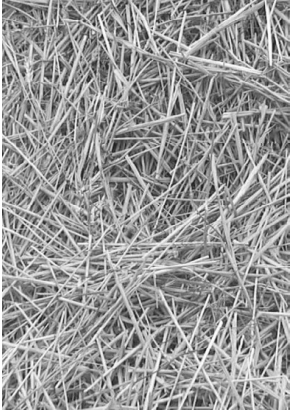
5700713
CMF TAIL LIGHTS

FOR REFERENCE ONLY	
1 - GREEN - CLEARANCE	3
2 - BROWN - BRAKE/AUX	4
3 - YELLOW - TURN & FLASH	
4 - WHITE - GROUND WIRE	



CONNECT THESE TWO WIRES IF NOT USING BATTERY
IF USING BATTERY, DO NOT CONNECT THESE WIRES
"GRND" WHT TO BLACK WIRE IN SCALE WIRING
"STOP" RED TO RED WIRE IN SCALE WIRING



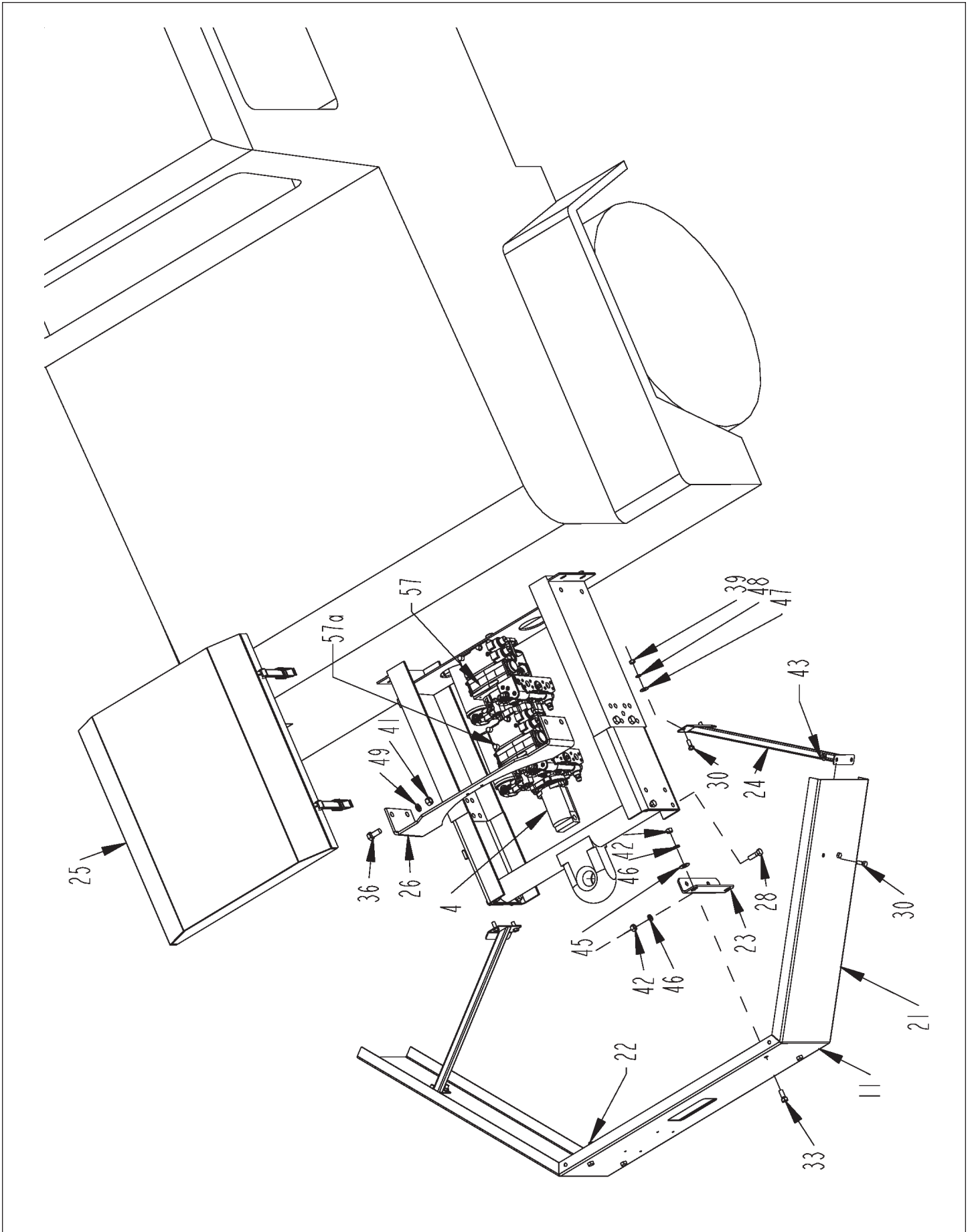


CMF-700TM
VERTICAL
MIXER

S.N. 700HJ0002TRK AND UP
Truck Mount Supplement

Parts Reference

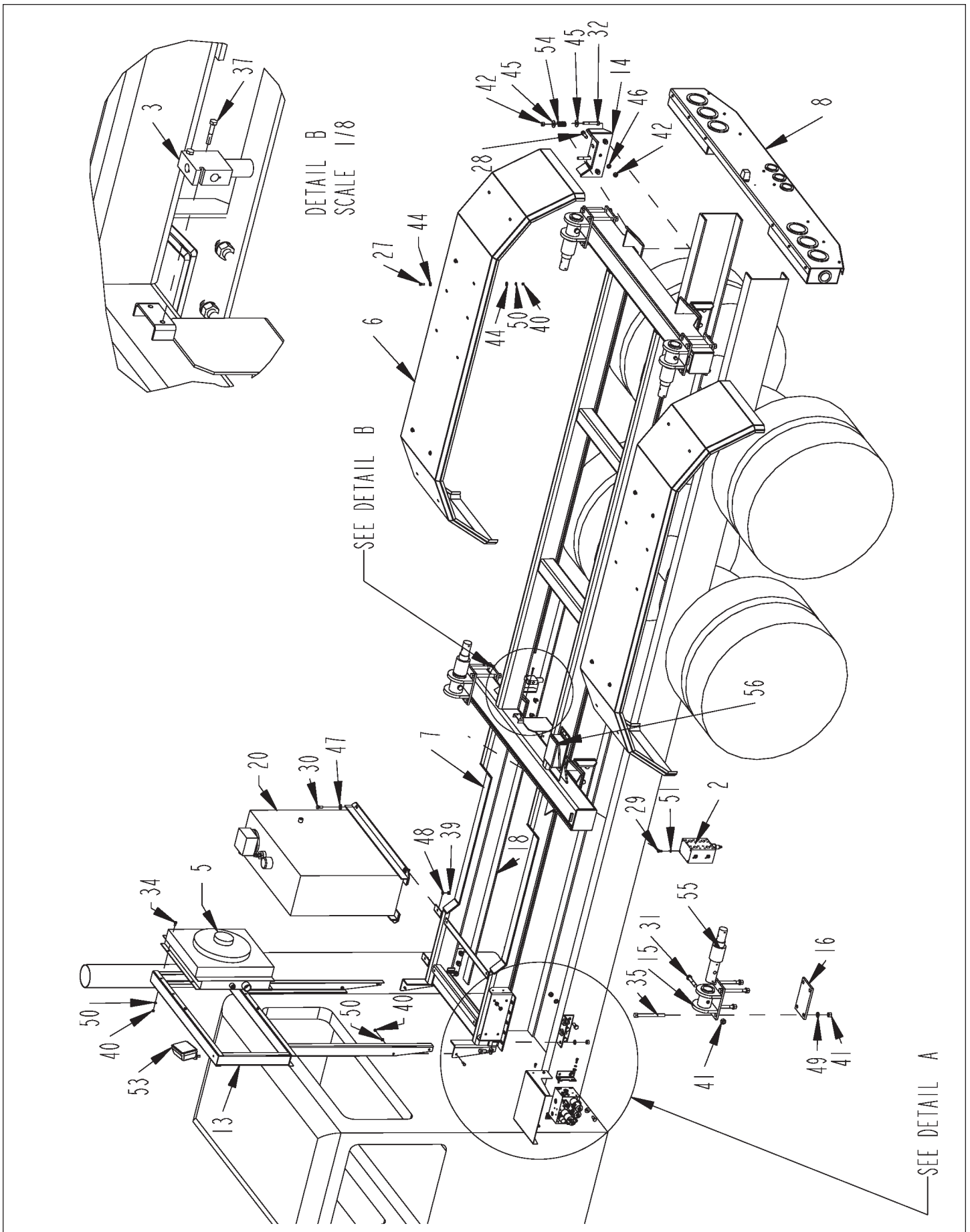
TRUCK MOUNT FRAME ASSEMBLY - FRONT



TRUCK MOUNT FRAME ASSEMBLY - FRONT

ITEM	PART	QTY.	PART DESCRIPTION
1	4000340	1	VLV\MANIFOLD\ASSY\CMFTRCK
2	4000402	1	VLV\HYD\RELIEF\DUAL_FLUSH
3	4000422	1	VLV\BLOCK\SHIFT\2SPD\3GPM
4	4200132	1	PUMP\HYD\1.87CU.IN.\LH\26013\LZA
5	4200133	1	RAD\HYD\DCS30\12V\W/BYPASS
6	4501531	2	FNDR\TRK\1150
7	4704382	1	FRM\MNT\CMF_TRUCK
8	4704393	1	BMPR\ASSY\TRUCK\CMF
9	4704512	1	BRKT\PUMP\L\TRUCK\MACK
10	4704513	1	BRKT\PUMP\R\TRUCK\MACK
11	4704551	1	BMPR\FRNT\TRUCK\CMF
12	4704861	2	BRKT\VLV\AUX\TRUCK
13	4704863	1	BRKT\RAD\CMF_TRUCK
14	4704879	4	MNT\MIXER\CMF_700TRUCK
15	4704880	4	MNT\LOADCELL\FRAME\TRUCK
16	4704881	8	PL\MNT\LOADCELL\FRAME
17	4704882	2	ANGLE\BRKT\FRM\TRUCK\
18	4704885	4	PAD\UHMW\FRM\TRUCK
19	4704886	1	COVER\VALVE\AUX\CMFTRUCK
20	4704887	1	TANK\OIL\ASSY\CMF_TRUCK
21	4704895	1	BMPR\ASSY\FRNT\CMF_TRUCK
22	4704896	1	BRKT\BMPR\FRNT\R
23	4704897	1	BRKT\BMPR\FRNT\L
24	4704898	2	BRKT\SIDE\BMPR\FRNT\CMF_TRUCK
25	4704899	1	HOOD\ASSY\PUMPS\CMF_TRUCK
26	4704900	1	PL\MNT\PUMP\FRNT
27	4800003	12	BOLT\HEX\3/8X1
28	4800010	16	BOLT\HEX\5/8X2
29	4800013	8	BOLT\HEX\5/16X1
30	4800018	16	BOLT\HEX\1/2X1-1/4
31	4800063	4	BOLT\HEX\3/4X4
32	4800100	8	BOLT\HEX\5/8X4
33	4800106	16	BOLT\HEX\5/8X1-1/2
34	4800164	4	BOLT\HEX\3/8X3/4
35	4800232	16	BOLT\HEX\3/4X8
36	4800469	4	BOLT\HEX\3/4X1-3/4
37	4800505	2	BOLT\HEX\1/4X1-1/2\NC
38	4800643	20	BOLT\HEX\5/16X3/4
39	4900001	16	NUT\HEX\1/2\NC
40	4900002	16	NUT\HEX\3/8\NC
41	4900004	21	NUT\HEX\3/4\NC
42	4900005	40	NUT\HEX\5/8\NC
43	4900133	4	NUT\FLG\1/2\NC
44	5000001	16	WASH\FLAT\3/8
45	5000002	26	WASH\FLAT\5/8
46	5000003	32	WASH\LOCK\5/8
47	5000004	12	WASH\FLAT\1/2
48	5000006	16	WASH\LOCK\1/2
49	5000012	20	WASH\LOCK\3/4
50	5000019	16	WASH\LOCK\3/8
51	5000022	8	WASH\LOCK\5/16
52	5000023	2	WASH\FLAT\5/16
53	5700298	1	LAMP\HALOGEN\4X6\12V
54	6100005	8	SPRNG\249OT\13/16ID\1-5/16OD\2-3/8LOA
55	7500975	4	DIGI-STAR_2.5_CELL
56	7500978	1	2620 LOADCELL JUCTION BOX, 2000
57	4200131	1	PUMP\HYD\4.6\HYDRO\REAR
57a	4200130	1	PUMP\HYD\4.6\HYDRO\FRNT

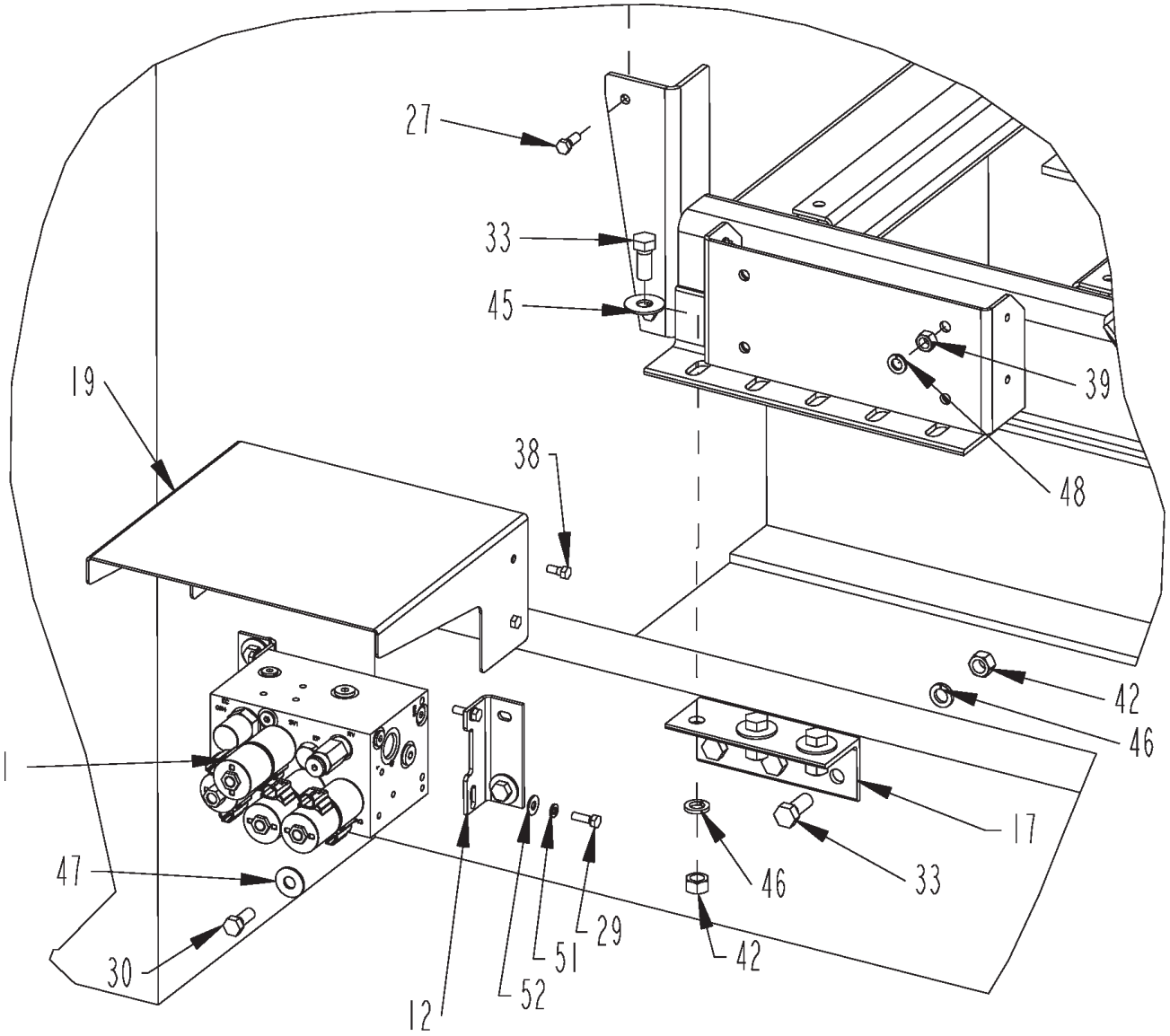
TRUCK MOUNT FRAME ASSEMBLY - REAR



TRUCK MOUNT FRAME ASSEMBLY - REAR

ITEM	PART	QTY.	PART DESCRIPTION
1	4000340	1	VLV\MANIFOLD\ASSY\CMFTRCK
2	4000402	1	VLV\HYD\RELIEF\DUAL_FLUSH
3	4000422	1	VLV\BLOCK\SHIFT\2SPD\3GPM
4	4200132	1	PUMP\HYD\1.87CU.IN.\LH\26013\LZA
5	4200133	1	RAD\HYD\DCS30\12V\W/BYPASS
6	4501531	2	FNDR\TRK\1150
7	4704382	1	FRM\MNT\CMF_TRUCK
8	4704393	1	BMPR\ASSY\TRUCK\CMF
9	4704512	1	BRKT\PUMP\L\TRUCK\MACK
10	4704513	1	BRKT\PUMP\R\TRUCK\MACK
11	4704551	1	BMPR\FRNT\TRUCK\CMF
12	4704861	2	BRKT\VLV\AUX\TRUCK
13	4704863	1	BRKT\RAD\CMF_TRUCK
14	4704879	4	MNT\MIXER\CMF_700TRUCK
15	4704880	4	MNT\LOADCELL\FRAME\TRUCK
16	4704881	8	PL\MNT\LOADCELL\FRAME
17	4704882	2	ANGLE\BRKT\FRM\TRUCK\
18	4704885	4	PAD\UHMW\FRM\TRUCK
19	4704886	1	COVER\VALVE\AUX\CMFTRUCK
20	4704887	1	TANK\OIL\ASSY\CMF_TRUCK
21	4704895	1	BMPR\ASSY\FRNT\CMF_TRUCK
22	4704896	1	BRKT\BMPR\FRNT\R
23	4704897	1	BRKT\BMPR\FRNT\L
24	4704898	2	BRKT\SIDE\BMPR\FRNT\CMF_TRUCK
25	4704899	1	HOOD\ASSY\PUMPS\CMF_TRUCK
26	4704900	1	PL\MNT\PUMP\FRNT
27	4800003	12	BOLT\HEX\3/8X1
28	4800010	16	BOLT\HEX\5/8X2
29	4800013	8	BOLT\HEX\5/16X1
30	4800018	16	BOLT\HEX\1/2X1-1/4
31	4800063	4	BOLT\HEX\3/4X4
32	4800100	8	BOLT\HEX\5/8X4
33	4800106	16	BOLT\HEX\5/8X1-1/2
34	4800164	4	BOLT\HEX\3/8X3/4
35	4800232	16	BOLT\HEX\3/4X8
36	4800469	4	BOLT\HEX\3/4X1-3/4
37	4800505	2	BOLT\HEX\1/4X1-1/2\NC
38	4800643	20	BOLT\HEX\5/16X3/4
39	4900001	16	NUT\HEX\1/2\NC
40	4900002	16	NUT\HEX\3/8\NC
41	4900004	21	NUT\HEX\3/4\NC
42	4900005	40	NUT\HEX\5/8\NC
43	4900133	4	NUT\FLG\1/2\NC
44	5000001	16	WASH\FLAT\3/8
45	5000002	26	WASH\FLAT\5/8
46	5000003	32	WASH\LOCK\5/8
47	5000004	12	WASH\FLAT\1/2
48	5000006	16	WASH\LOCK\1/2
49	5000012	20	WASH\LOCK\3/4
50	5000019	16	WASH\LOCK\3/8
51	5000022	8	WASH\LOCK\5/16
52	5000023	2	WASH\FLAT\5/16
53	5700298	1	LAMP\HALOGEN\4X6\12V
54	6100005	8	SPRNG\249OT\13/16ID\1-5/16OD\2-3/8LOA
55	7500975	4	DIGI-STAR_2.5_CELL
56	7500978	1	2620 LOADCELL JUCTION BOX, 2000
57	4200131	1	PUMP\HYD\4.6\HYDRO\REAR
57a	4200130	1	PUMP\HYD\4.6\HYDRO\FRNT

TRUCK MOUNT FRAME ASSEMBLY - DETAIL A

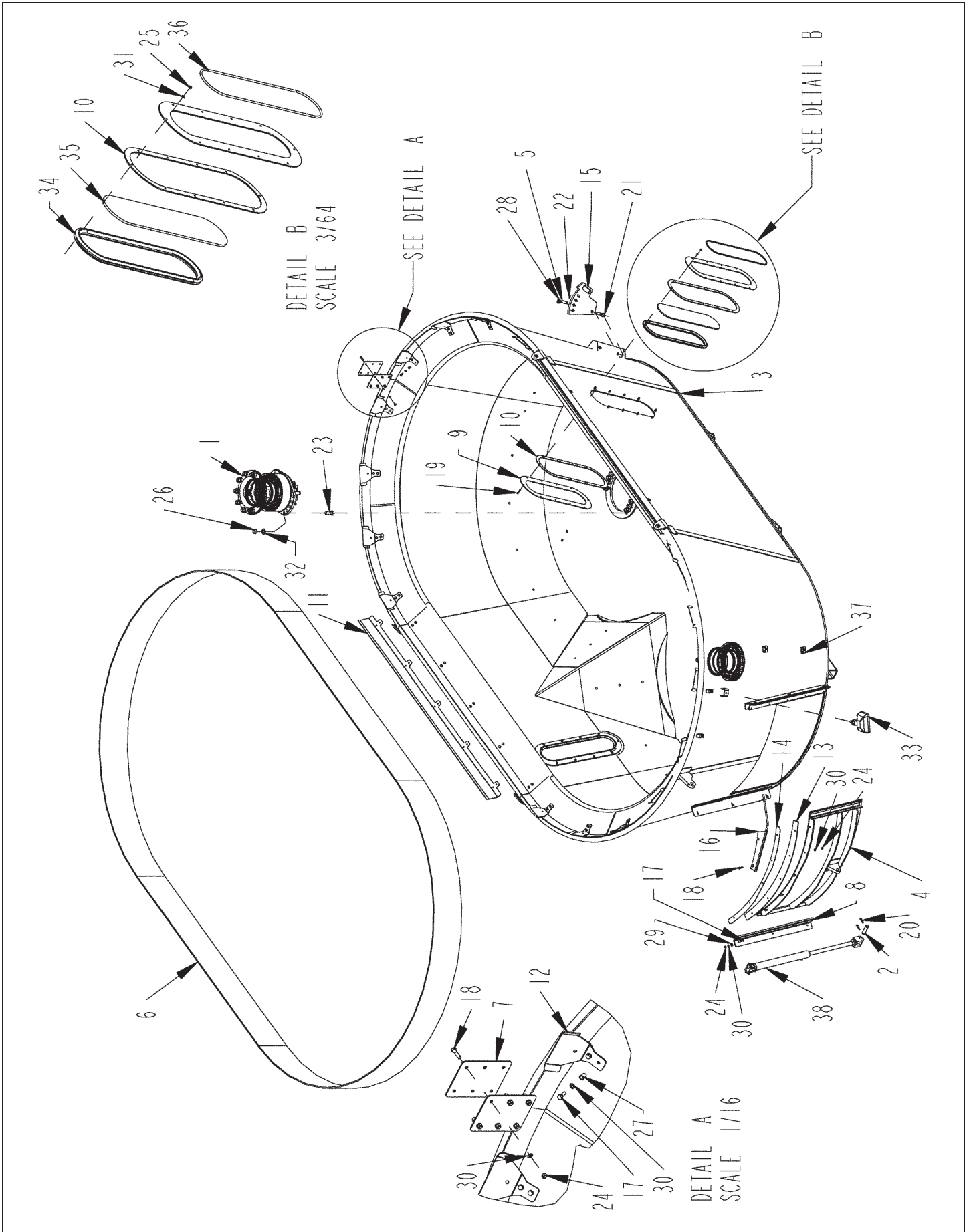


DETAIL A
SCALE 1/8

TRUCK MOUNT FRAME ASSEMBLY - DETAIL A

ITEM	PART	QTY.	PART DESCRIPTION
1	4000340	1	VLV\MANIFOLD\ASSY\CMFTRCK
2	4000402	1	VLV\HYD\RELIEF\DUAL_FLUSH
3	4000422	1	VLV\BLOCK\SHIFT\2SPD\3GPM
4	4200132	1	PUMP\HYD\1.87CU.IN.\LH\26013\LZA
5	4200133	1	RAD\HYD\DCS30\12V\W/BYPASS
6	4501531	2	FNDR\TRK\1150
7	4704382	1	FRM\MNT\CMF_TRUCK
8	4704393	1	BMPR\ASSY\TRUCK\CMF
9	4704512	1	BRKT\PUMP\L\TRUCK\MACK
10	4704513	1	BRKT\PUMP\R\TRUCK\MACK
11	4704551	1	BMPR\FRNT\TRUCK\CMF
12	4704861	2	BRKT\VLV\AUX\TRUCK
13	4704863	1	BRKT\RAD\CMF_TRUCK
14	4704879	4	MNT\MIXER\CMF_700TRUCK
15	4704880	4	MNT\LOADCELL\FRAME\TRUCK
16	4704881	8	PL\MNT\LOADCELL\FRAME
17	4704882	2	ANGLE\BRKT\FRM\TRUCK\
18	4704885	4	PAD\UHMW\FRM\TRUCK
19	4704886	1	COVER\VALVE\AUX\CMFTRUCK
20	4704887	1	TANK\OIL\ASSY\CMF_TRUCK
21	4704895	1	BMPR\ASSY\FRNT\CMF_TRUCK
22	4704896	1	BRKT\BMPR\FRNT\R
23	4704897	1	BRKT\BMPR\FRNT\L
24	4704898	2	BRKT\SIDE\BMPR\FRNT\CMF_TRUCK
25	4704899	1	HOOD\ASSY\PUMPS\CMF_TRUCK
26	4704900	1	PL\MNT\PUMP\FRNT
27	4800003	12	BOLT\HEX\3/8X1
28	4800010	16	BOLT\HEX\5/8X2
29	4800013	8	BOLT\HEX\5/16X1
30	4800018	16	BOLT\HEX\1/2X1-1/4
31	4800063	4	BOLT\HEX\3/4X4
32	4800100	8	BOLT\HEX\5/8X4
33	4800106	16	BOLT\HEX\5/8X1-1/2
34	4800164	4	BOLT\HEX\3/8X3/4
35	4800232	16	BOLT\HEX\3/4X8
36	4800469	4	BOLT\HEX\3/4X1-3/4
37	4800505	2	BOLT\HEX\1/4X1-1/2\NC
38	4800643	20	BOLT\HEX\5/16X3/4
39	4900001	16	NUT\HEX\1/2\NC
40	4900002	16	NUT\HEX\3/8\NC
41	4900004	21	NUT\HEX\3/4\NC
42	4900005	40	NUT\HEX\5/8\NC
43	4900133	4	NUT\FLG\1/2\NC
44	5000001	16	WASH\FLAT\3/8
45	5000002	26	WASH\FLAT\5/8
46	5000003	32	WASH\LOCK\5/8
47	5000004	12	WASH\FLAT\1/2
48	5000006	16	WASH\LOCK\1/2
49	5000012	20	WASH\LOCK\3/4
50	5000019	16	WASH\LOCK\3/8
51	5000022	8	WASH\LOCK\5/16
52	5000023	2	WASH\FLAT\5/16
53	5700298	1	LAMP\HALOGEN\4X6\12V
54	6100005	8	SPRNG\249OT\13/16ID\1-5/16OD\2-3/8LOA
55	7500975	4	DIGI-STAR_2.5_CELL
56	7500978	1	2620 LOADCELL JUCTION BOX, 2000
57	4200131	1	PUMP\HYD\4.6\HYDRO\REAR
57a	4200130	1	PUMP\HYD\4.6\HYDRO\FRNT

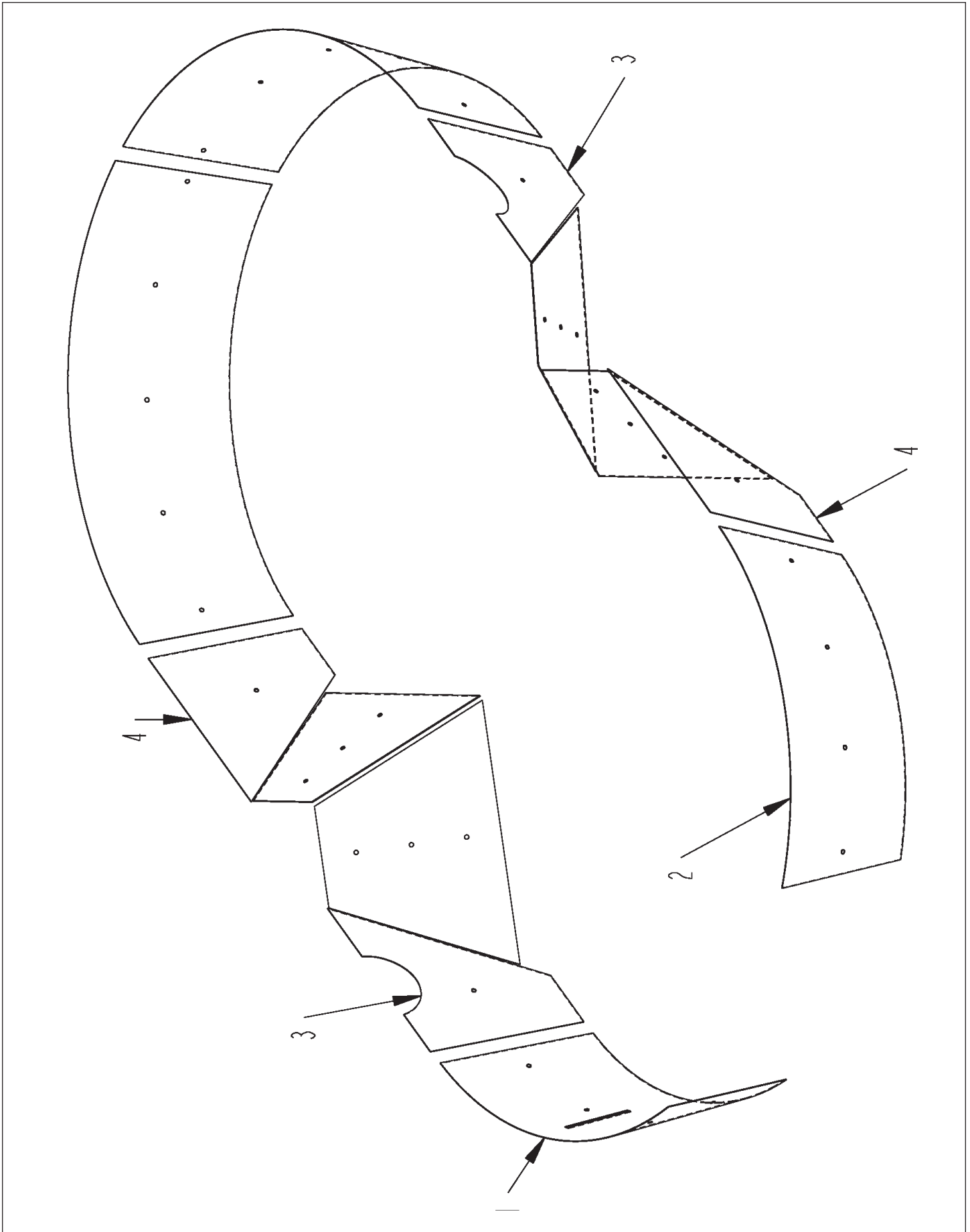
TRUCK MOUNT TUB ASSEMBLY



TRUCK MOUNT TUB ASSEMBLY

ITEM	PART	QTY.	PART DESCRIPTION
1	3900046	2	MTR\HYD\256.2CID\RAD_PIST
2	4100030	2	PIN 1" X 3-1/2" HYD. CYL.
3	4704160	1	TUB\WELD\CMF700
4	4704161	1	DOOR\CNVYR\ASSY
5	4704181	2	PIN\LOCK\3/4X2-1/2
6	4704312	1	BELT\12"\EXT\TMR
7	4704340	2	PL\CLMP\EXT\TUB
8	4704359	2	BRKT\DOOR\ASSY
9	4704372	4	PL\COVER\WNDW\CMF
10	4704373	4	PL\SPACER\COVER\WNDW\CMF
11	4704536	2	CLAMP\SIDE\BELT\TUB
12	4704537	16	CLAMP\END\BELT\TUB
13	4704538	1	BELT\DOOR\CMF700
14	4704556	1	SHWIPER\DOOR\700
15	4704567	2	KNIFE\VERT
16	4705153	1	INDICATOR\HEIGHT\DOOR
17	4800003	58	BOLT\HEX\3/8X1
18	4800034	11	BOLT\HEX\3/8X1-1/2
19	4800081	20	BOLT\HEX\5/16X1-1/2
20	4800107	4	PIN\HAIR\1/8(#9)
21	4800115	2	BOLT\HEX\3/4X2-1/2
22	4800456	2	PIN\RLLD\3/16X1-1/8
23	4801234	20	BOLT\HEX\7/8X2-1/2\GR8\NC
24	4900002	17	NUT\HEX\3/8\NC
25	4900003	20	NUT\HEX\5/16\NC
26	4900022	20	NUT\HEX\7/8\NC
27	4900082	52	NUT\INSERT\3/8\0.027X.150GR
28	4900139	2	NUT\TPLCK\3/4\GR8\NC
29	5000001	6	WASH\FLAT\3/8
30	5000019	69	WASH\LOCK\3/8
31	5000022	21	WASH\LOCK\5/16
32	5000120	20	WASH\FLAT\7/8\EXTRTHK\GR8
33	5700298	1	LAMP\HALOGEN\4X6\12V
34	7501138	2	WEATHERSTRIP\2PC\1/4X3/8X69
35	7501139	2	WNDW\POLYCARB\8X30X3/8
36	7501223	2	WITHRTRP\1/4X3/8\LOCK
37	7501336	5	CLMP\HOSE\CUSH\3/8
38	4100241	1	CYL\HYD\2"X24"1-1/4"ROD
	4704575		TUB\ASSY\CNVYR\CMF 700\TRUCK

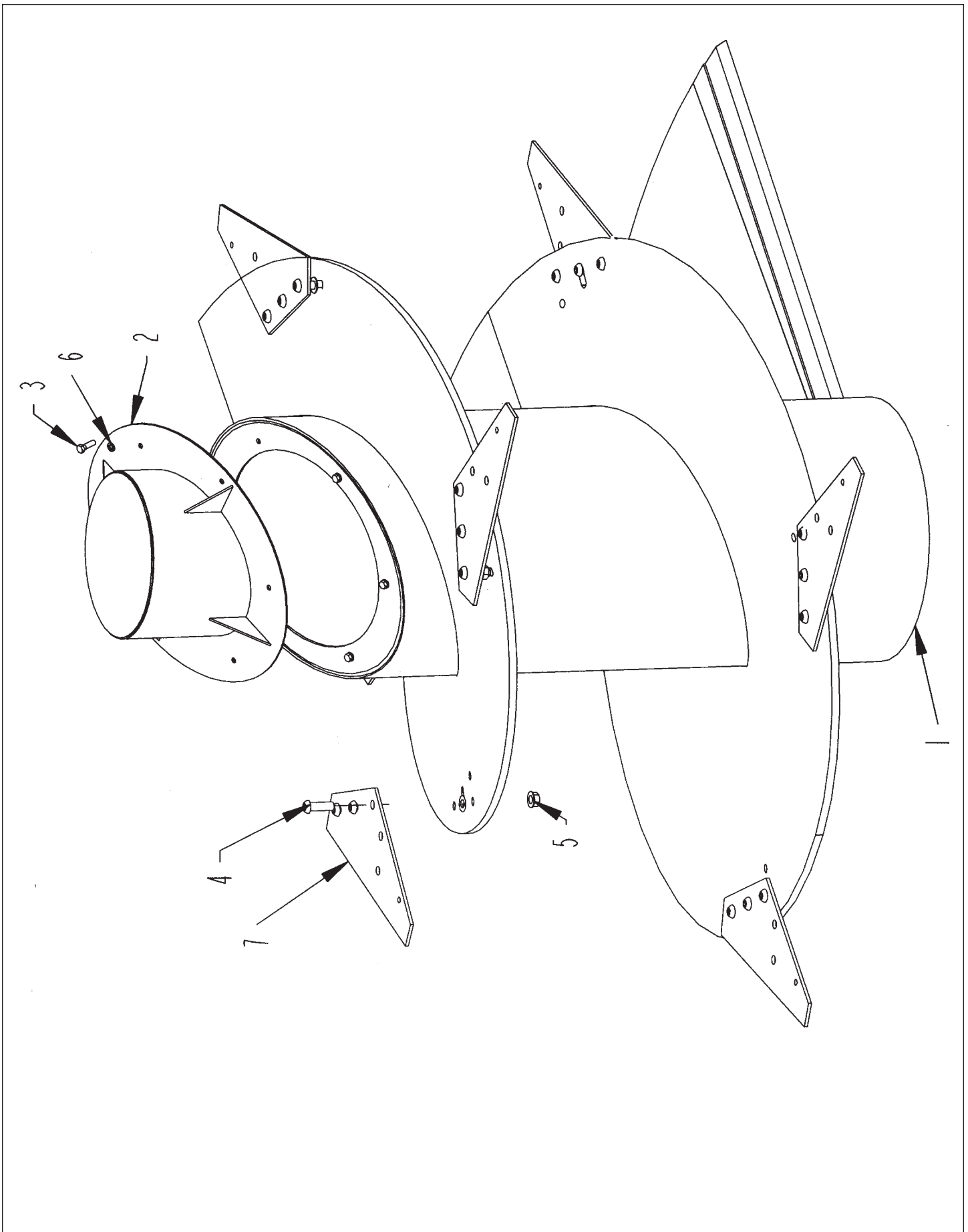
TRUCK MOUNT - TUB LINER



TRUCK MOUNT - TUB LINER

ITEM	PART	QTY.	PART DESCRIPTION
1	4704599	1	LINER\FRNT\RGHT\CMF700
2	4704600	1	LINER\FRNT\LFT\CMF700
3	4704851	1	LINER\REAR\LFT\CMF700
4	4704852	1	LINER\REAR\RGHT\CMF700
5	4704853	4	LINER\ANGLES\CMF700
6	4704957	2	LINER\SIDE\W\CUT\CMF700
7	4704959	2	LINER\SIDE\CMF700

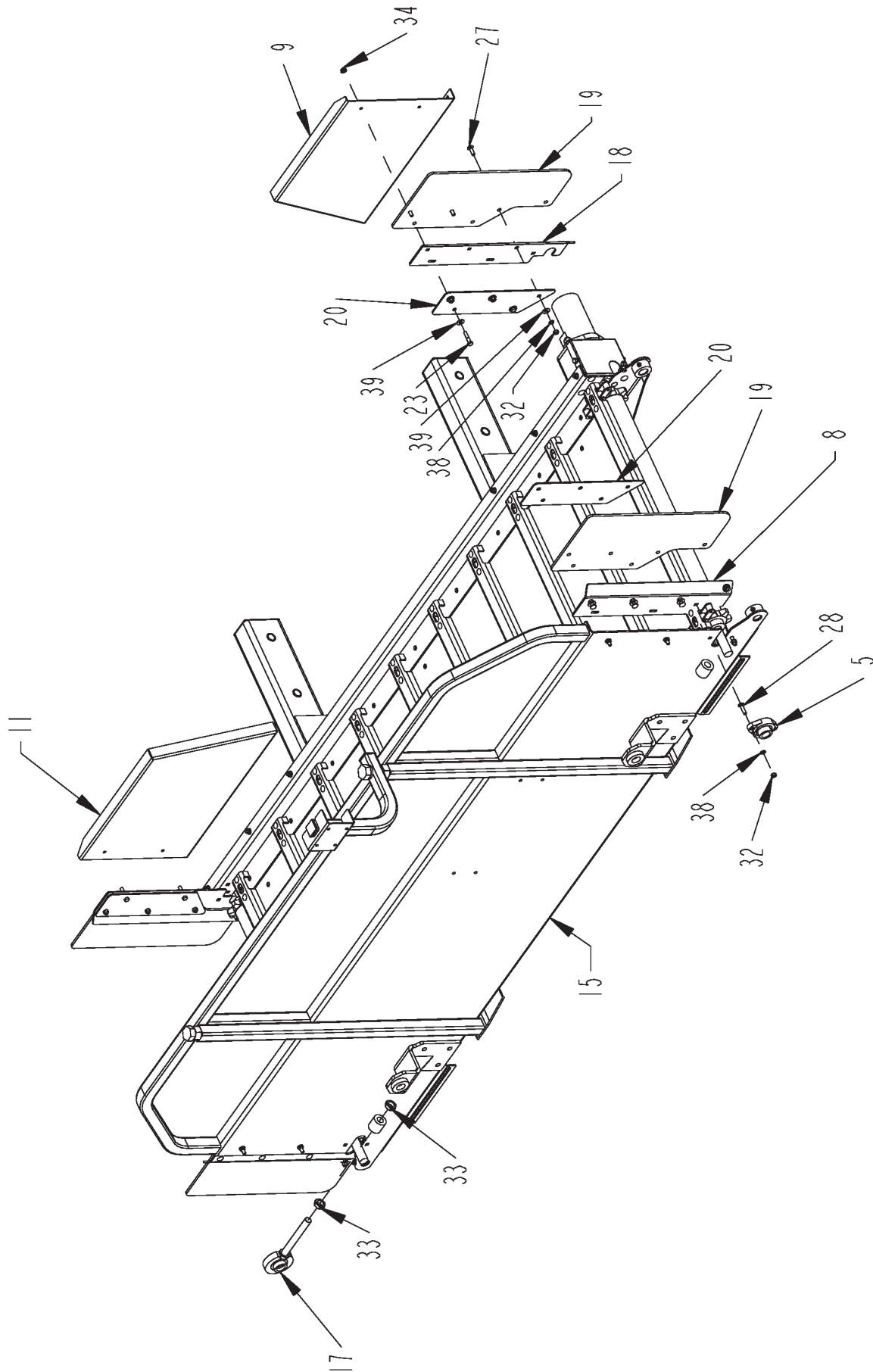
TRUCK MOUNT - AUGER ASSEMBLY



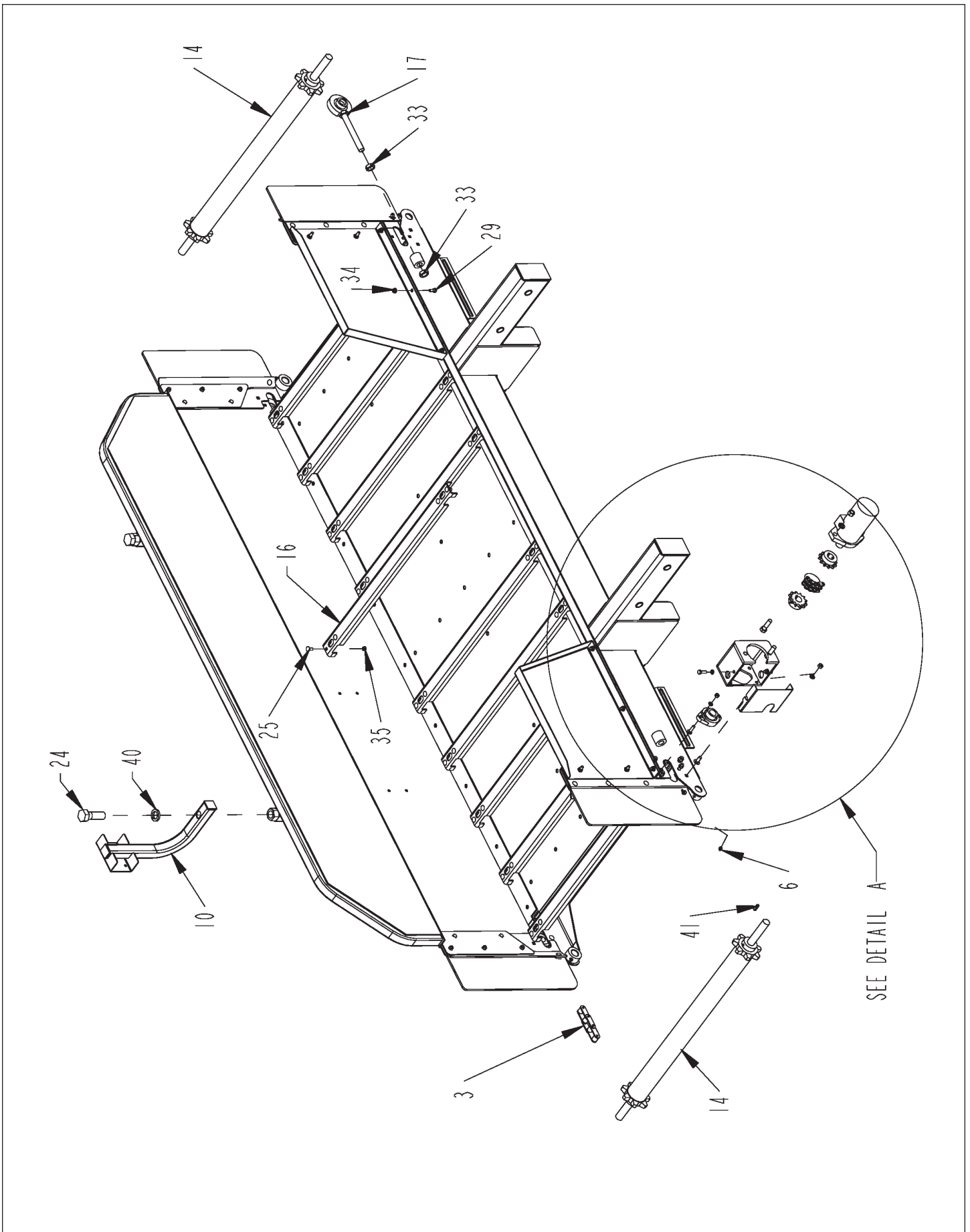
TRUCK MOUNT - AUGER ASSEMBLY

ITEM	PART	QTY.	PART DESCRIPTION
1	4704865	1	AUGER\WELD\CMF_TRUCK
2	4704884	1	COVER\AUGER
3	4800098	6	BOLT\HEX\3/8X1-1/4\NC
4	4800659	21	SCR\BUT\ALN\5/8X2\NC
5	4900110	21	NUT\FLG\SERR\5/8\NC
6	5000019	6	WASH\LOCK\3/8
7	7501161	7	BLADE\CMF\STANDARD
	4704866		AUGER\ASSY\CMF_TRUCK

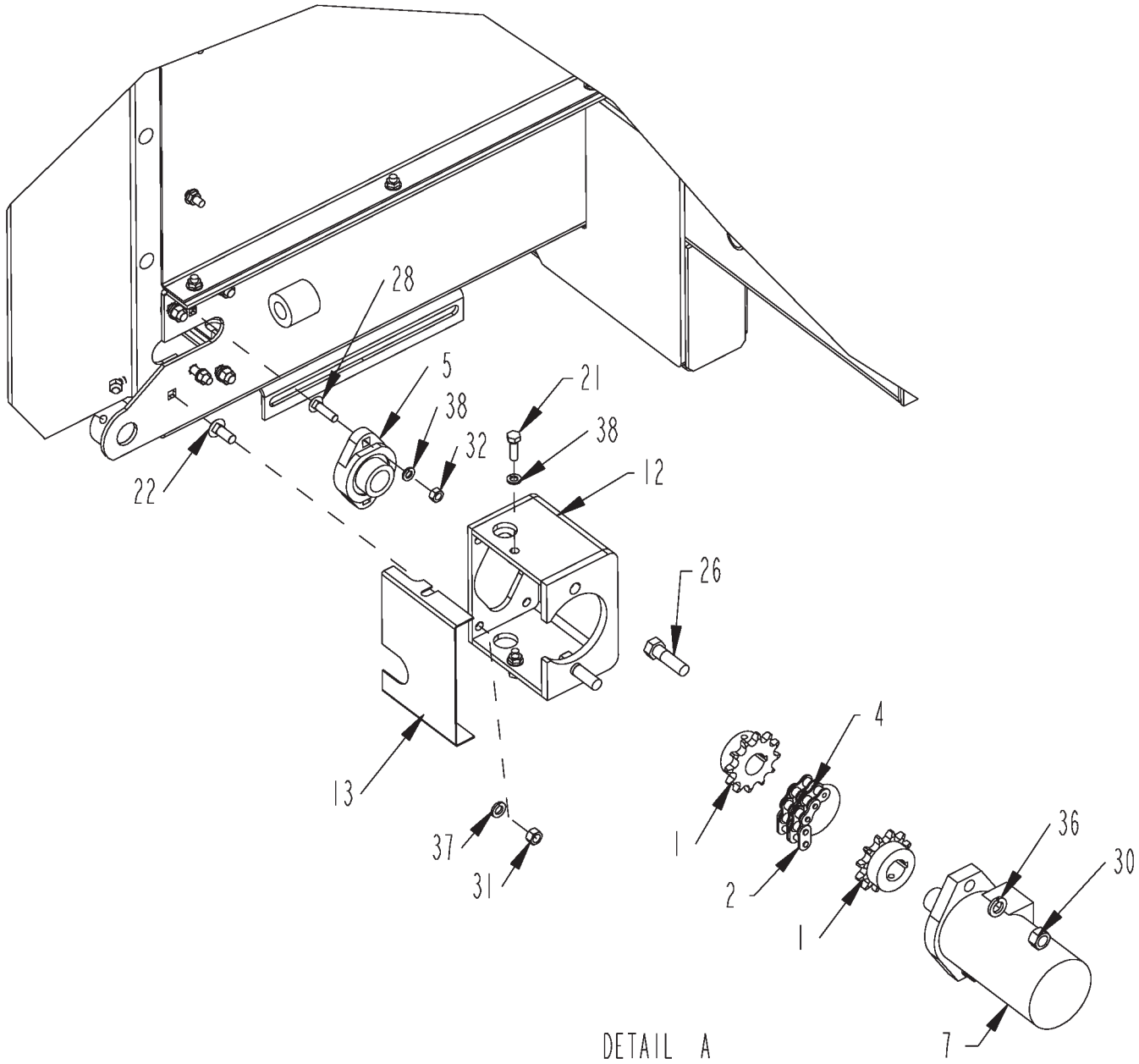
**TRUCK MOUNT MAIN CONVEYOR ASSEMBLY - 4704860 - VIEW 1
(FOR S.N. UP TO 700HJ004TRK)**



**TRUCK MOUNT MAIN CONVEYOR ASSEMBLY - 4704860 - VIEW 2
(FOR S.N. UP TO 700HJ004TRK)**



**TRUCK MOUNT MAIN CONVEYOR ASSEMBLY - 4704860 - DETAIL A
(FOR S.N. UP TO 700HJ004TRK)**



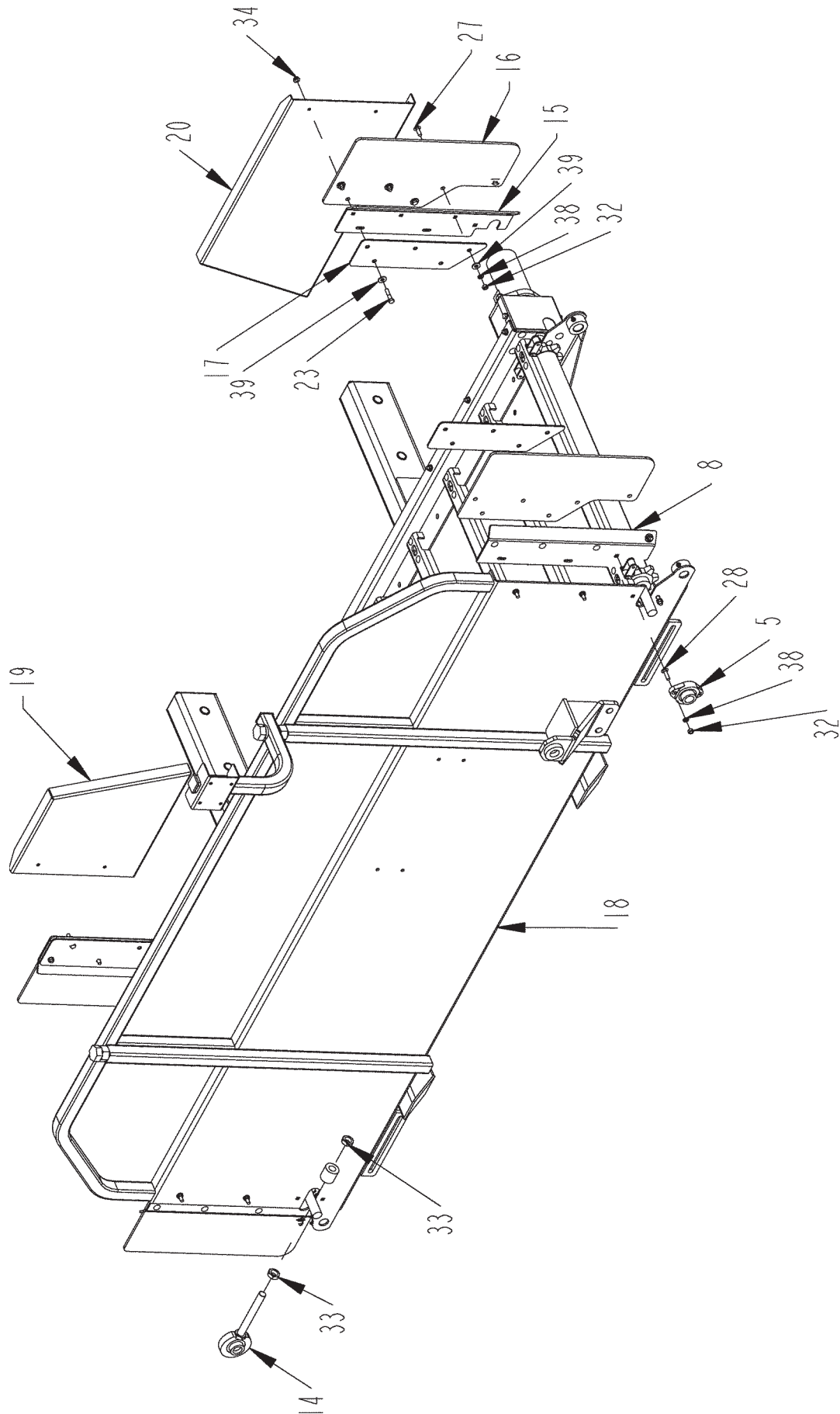
**TRUCK MOUNT MAIN CONVEYOR ASSEMBLY - 4704860 - PARTS LIST
(FOR S.N. UP TO 700HJ004TRK)**

ITEM	PART	QTY.	PART DESCRIPTION
1	1000055	2	SPKT\50\B\12\1\1/4KW
2	1100099	1	CHAIN\50DBL\CL
3	1100256	2	CHAIN\620CA\120\W\ATTCH
4	1100271	1	CHAIN\50DBL\11
5	2000310	2	BRG\FLG\CAST\1\2BOLT
6	3800043	4	FTG\LUB\1/8MPXZRK\SHORT
7	3900032	1	MOTOR\HYD\22.6\HAMNT\7/8FOR\1SHFT
8	4704375	2	SH\DEFL\MAIN\CNVYR\RH
9	4704378	1	EXT\MAIN\CNVYR\LH
10	4704388	1	BRKT\IND\SCALE
11	4704519	1	EXT\MAIN\CNVYR\RH
12	4704558	1	MNT\MTR\CNVYR\CMF
13	4704559	1	SHLD\CPLR\CNVYR
14	4704576	2	SHAFT\ASSY\CNVYR\CMF
15	4704577	1	CNVYR\ASSY\TMR
16	4704580	20	SLAT\CHAIN\CNVYR\CMF
17	4704585	2	BRG\ASSY\CNVYR\CMF
18	4704592	2	SH\DEFL\MAIN\CNVYR\LH
19	4704598	4	BELT\GUIDE\MATL\HINGE
20	4704859	4	DBLR\BELT\GUIDE\MATL\HINGE
21	4800013	2	BOLT\HEX\5/16X1
22	4800053	4	BOLT\CRG\3/8X1\NC
23	4800081	8	BOLT\HEX\5/16X1-1/2
24	4800140	2	BOLT\HEX\1X3\NC
25	4800153	80	BOLT\CRG\5/16X3/4\NC
26	4800178	2	BOLT\HEX\1/2X1-3/4
27	4800473	16	BOLT\CRG\5/16X1\NC
28	4800474	4	BOLT\CRG\5/16X1-1/4\NC
29	4800643	6	BOLT\HEX\5/16X3/4
30	4900001	2	NUT\HEX\1/2\NC
31	4900002	4	NUT\HEX\3/8\NC
32	4900003	20	NUT\HEX\5/16\NC
33	4900104	6	NUT\JAM\3/4\NC
34	4900108	16	NUT\FLG\SERR\5/16\NC
35	4900142	78	NUT\TPLCK\5/16\NC
36	5000006	2	WASH\LOCK\1/2
37	5000019	4	WASH\LOCK\3/8
38	5000022	22	WASH\LOCK\5/16
39	5000023	24	WASH\FLAT\5/16
40	5000053	1	WASH\LOCK\1
41	6200010	1	KEY\SQ\1/4X1

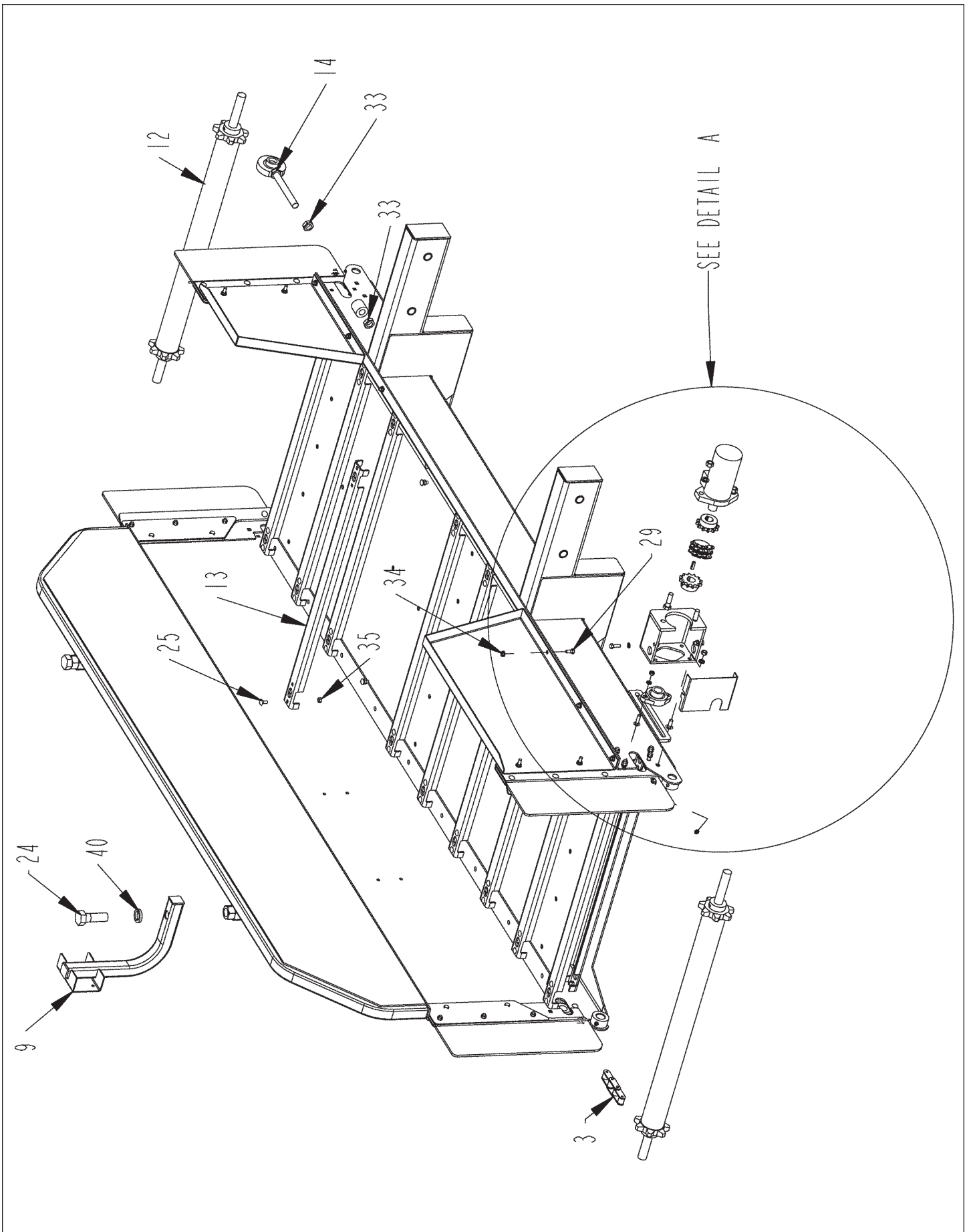
4704860

CNVYR\ASSY\MAIN\CMF\TRUCK

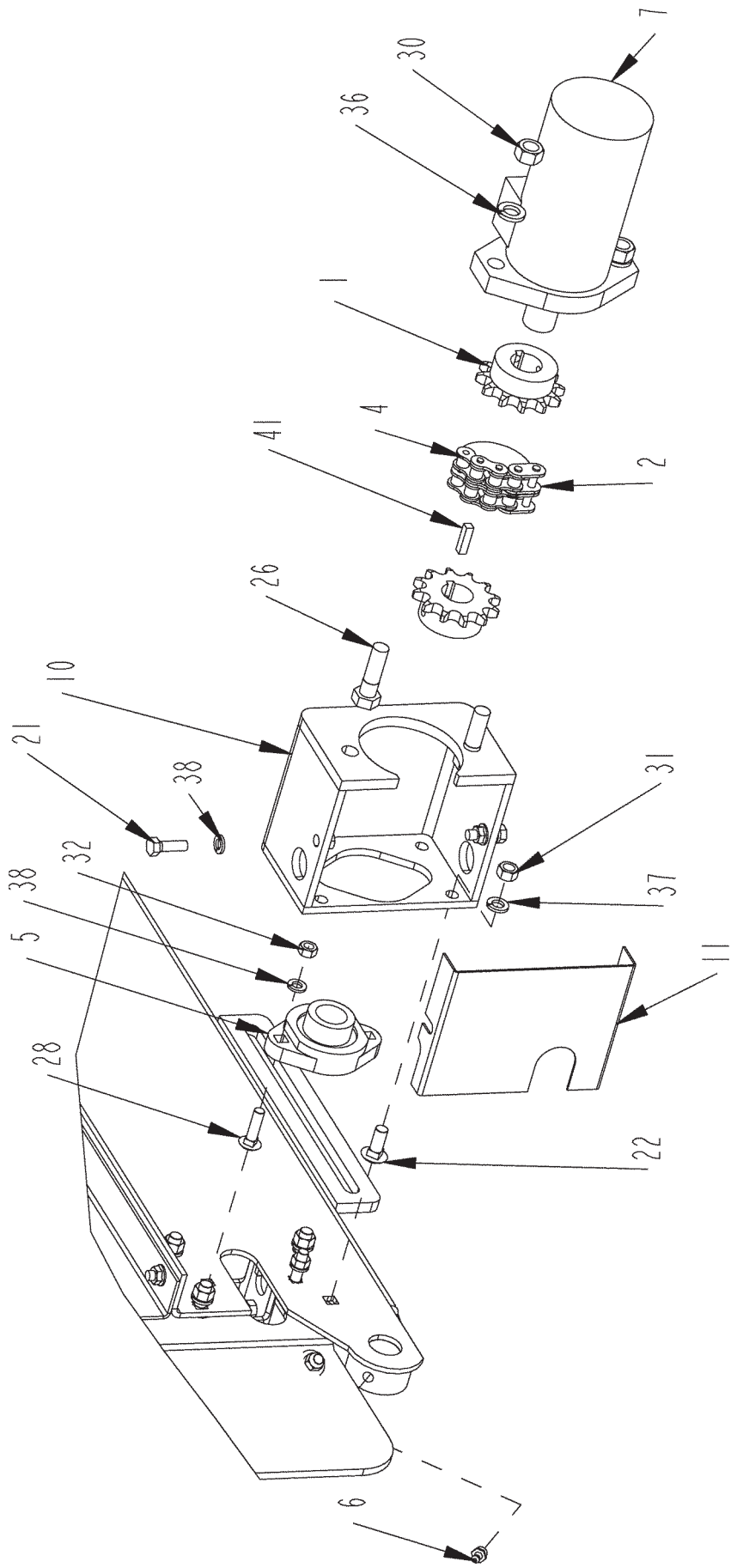
**TRUCK MOUNT MAIN CONVEYOR ASSEMBLY - 4704974 - VIEW 1
(FOR S.N. 70010005 AND UP)**



**TRUCK MOUNT MAIN CONVEYOR ASSEMBLY - 4704974 - VIEW 2
(FOR S.N. 70010005 AND UP)**



**TRUCK MOUNT MAIN CONVEYOR ASSEMBLY - 4704974 - DETAIL A
(FOR S.N. 70010005 AND UP)**



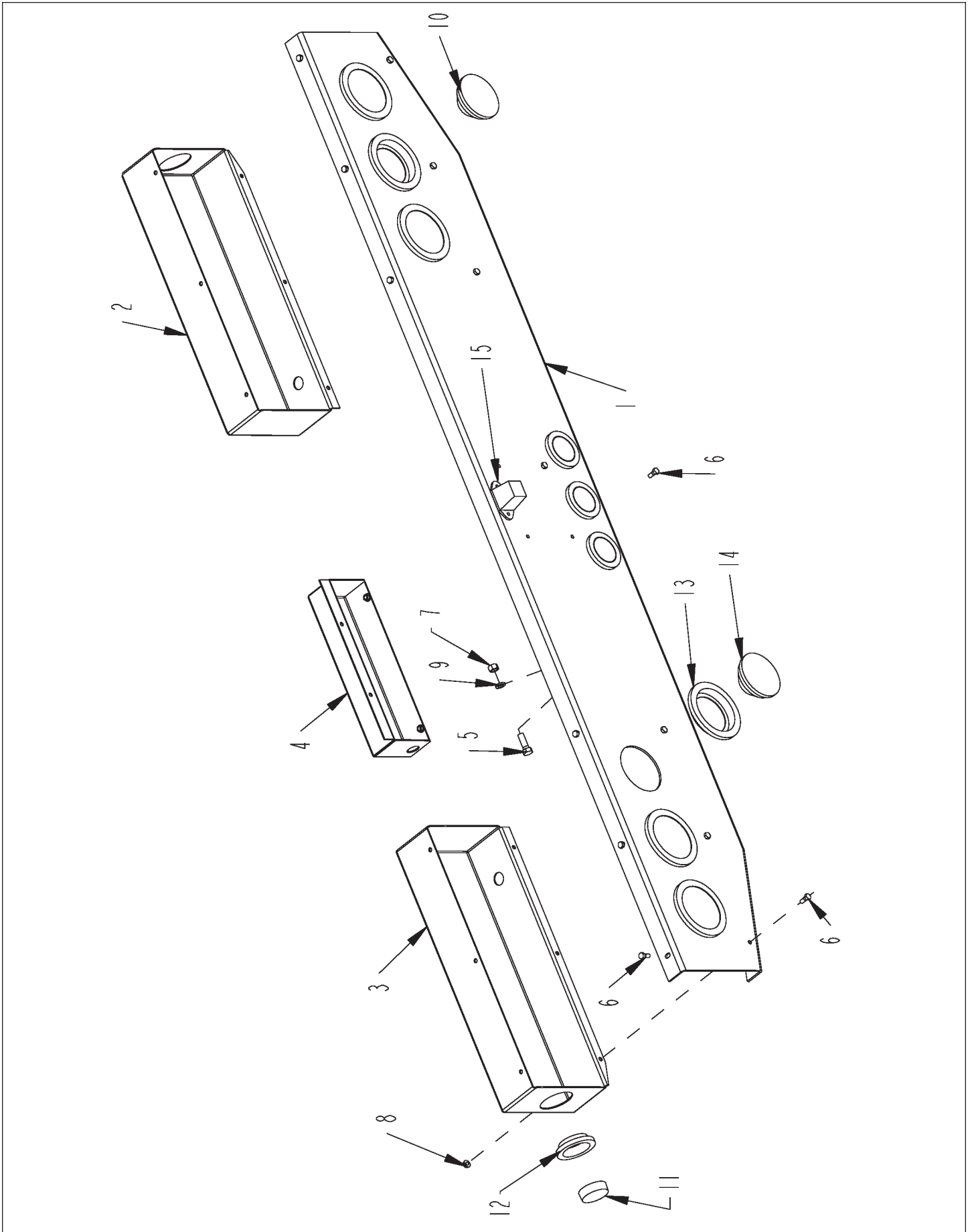
**TRUCK MOUNT MAIN CONVEYOR ASSEMBLY - 4704974 - PARTS LIST
(FOR S.N. 70010005 AND UP)**

ITEM	PART	QTY.	PART DESCRIPTION
1	1000055	2	SPKT\50\B\12\1\1/4KW
2	1100099	1	CHAIN\50DBL\CL
3	1100256	2	CHAIN\620CA\120\W\ATTCH
4	1100271	1	CHAIN\50DBL\11
5	2000310	2	BRG\FLG\CAST\1\2BOLT
6	3800043	4	FTG\LUB\1/8MPXZRK\SHORT
7	3900032	1	MOTOR\HYD\22.6\H
8	4704375	2	SH\DEFL\MAIN\CNVYR\RH
9	4704388	1	BRKT\IND\SCALE
10	4704558	1	MNT\MTR\CNVYR\CMF
11	4704559	1	SHLD\CPLR\CNVYR
12	4704576	2	SHAFT\ASSY\CNVYR\CMF
13	4704580	20	SLAT\CHAIN\CNVYR\CMF
14	4704585	2	BRG\ASSY\CNVYR\CMF
15	4704592	2	SH\DEFL\MAIN\CNVYR\LH
16	4704598	4	BELT\GUIDE\MATL\HINGE
17	4704859	4	DBLR\BELT\GUIDE\MATL\HINGE
18	4704970	1	CNVYR\MAIN\WELD\CMF
19	4705161	1	EXT\MAIN\CNVYR\TRUCK\RH
20	4705162	1	EXT\MAIN\CNVYR\TRUCK\LH
21	4800013	2	BOLT\HEX\5/16X1
22	4800053	4	BOLT\CRG\3/8X1\NC
23	4800081	8	BOLT\HEX\5/16X1-1/2
24	4800140	2	BOLT\HEX\1X3\NC
25	4800153	80	BOLT\CRG\5/16X3/4\NC
26	4800178	2	BOLT\HEX\1/2X1-3/4
27	4800473	16	BOLT\CRG\5/16X1\NC
28	4800474	4	BOLT\CRG\5/16X1-1/4\NC
29	4800643	6	BOLT\HEX\5/16X3/4
30	4900001	2	NUT\HEX\1/2\NC
31	4900002	4	NUT\HEX\3/8\NC
32	4900003	20	NUT\HEX\5/16\NC
33	4900104	6	NUT\JAM\3/4\NC
34	4900108	16	NUT\FLG\SERR\5/16\NC
35	4900142	80	NUT\TPLCK\5/16\NC
36	5000006	2	WASH\LOCK\1/2
37	5000019	4	WASH\LOCK\3/8
38	5000022	22	WASH\LOCK\5/16
39	5000023	24	WASH\FLAT\5/16
40	5000053	1	WASH\LOCK\1
41	6200010	1	KEY\SQ\1/4X1

4704974

CNVYR\ASSY\MAIN\CMF\TRUCK

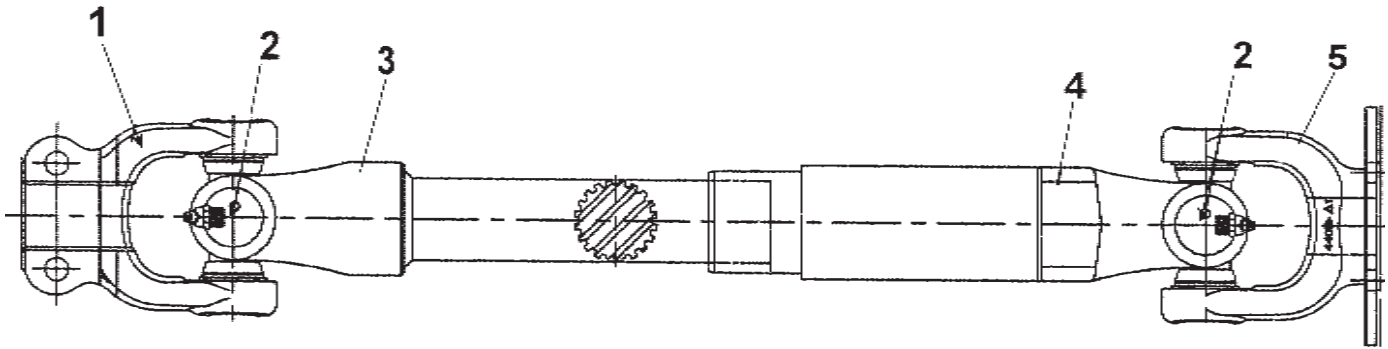
REAR BUMPER ASSEMBLY



REAR BUMPER ASSEMBLY

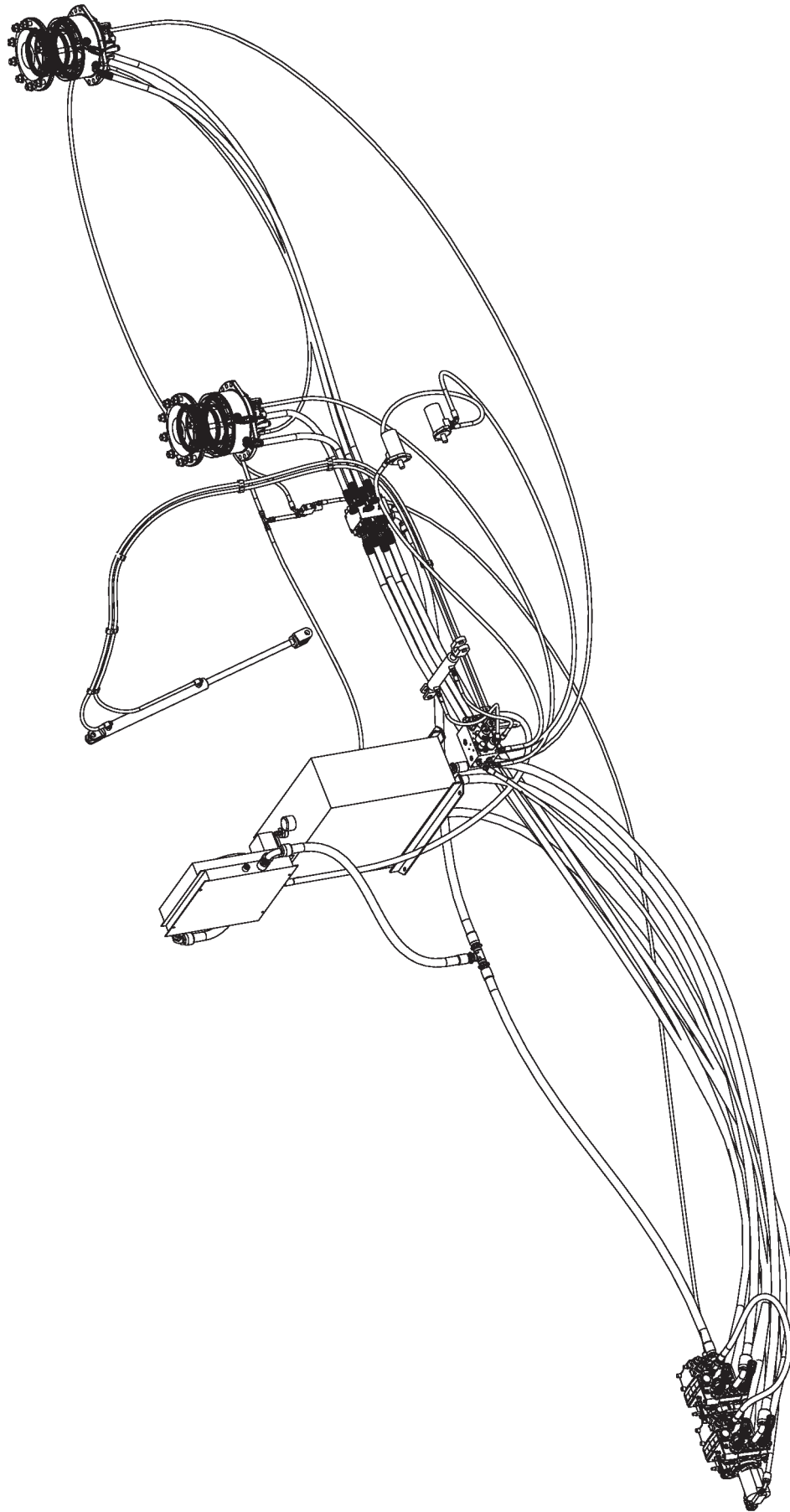
ITEM	PART	QTY.	PART DESCRIPTION
1	4704392	1	BMPR\TRUCK\CMF\WELD
2	4704394	1	COVER\LIGHTS\BMPR\R
3	4704395	1	COVER\LIGHTS\BMPR\L
4	4704396	1	COVER\LIGHTS\BMPR\M
5	4800082	4	BOLT\HEX\1/2X1-1/2
6	4800643	16	BOLT\HEX\5/16X3/4
7	4900001	4	NUT\HEX\1/2\NC
8	4900108	16	NUT\FLG\SERR\5/16\NC
9	5000006	4	WASH\LOCK\1/2
10	5700199	4	LAMP\TAIL\12VDC\4-1/2RD
11	5700200	5	LAMP\CL\12VDC\2-1/2ROUND\RED\SEALED
12	5700202	5	LAMP\GRMMT\2-1/2KIT\W\PLUG
13	5700539	6	LAMP\GRMMT\4-1/2
14	5700815	2	LAMP\REV\12VDC\4-1/2RD
15	5700816	1	LAMP\LIC\KIT
	4704393		BMPR\ASSY\REAR\TRUCK\CMF

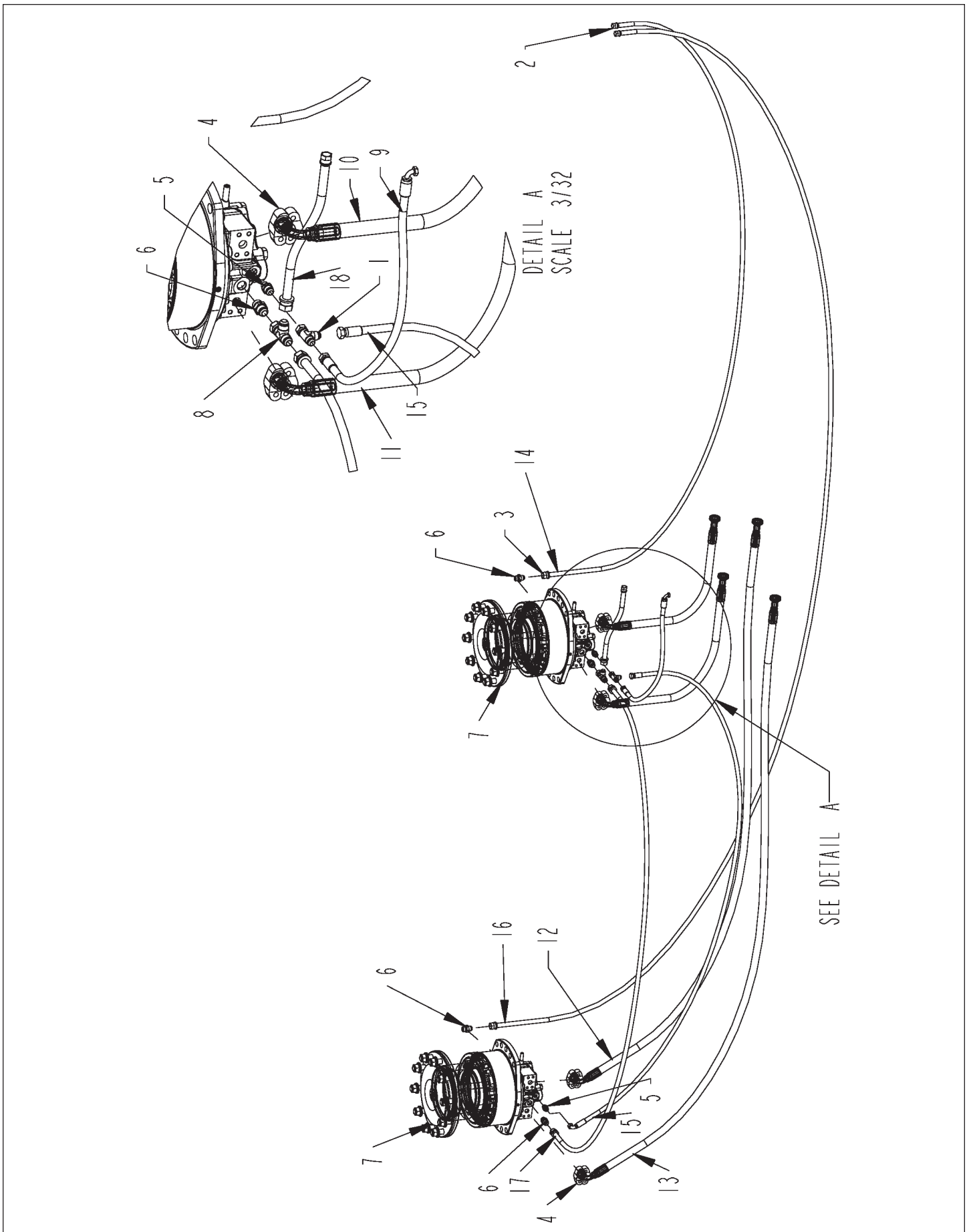
TRUCK MOUNT DRIVELINE - 3600534



ITEM	PART NO.	DESCRIPTION
	3600534	PTO\252-23099\44E\PUMP
1	3600604	CROSS&BRG\44E\WSLR
2	3600617	YOKE\44E\1.51"-23SPLINE
3	3600722	YOKE&SHAFT\44E\23SPL
4	3600723	YOKE&SHAFT&SLEEVE\44E\
5	3600724	YOKE\44E\FLG\ADPTR

TRUCK MOUNT HYDRAULICS

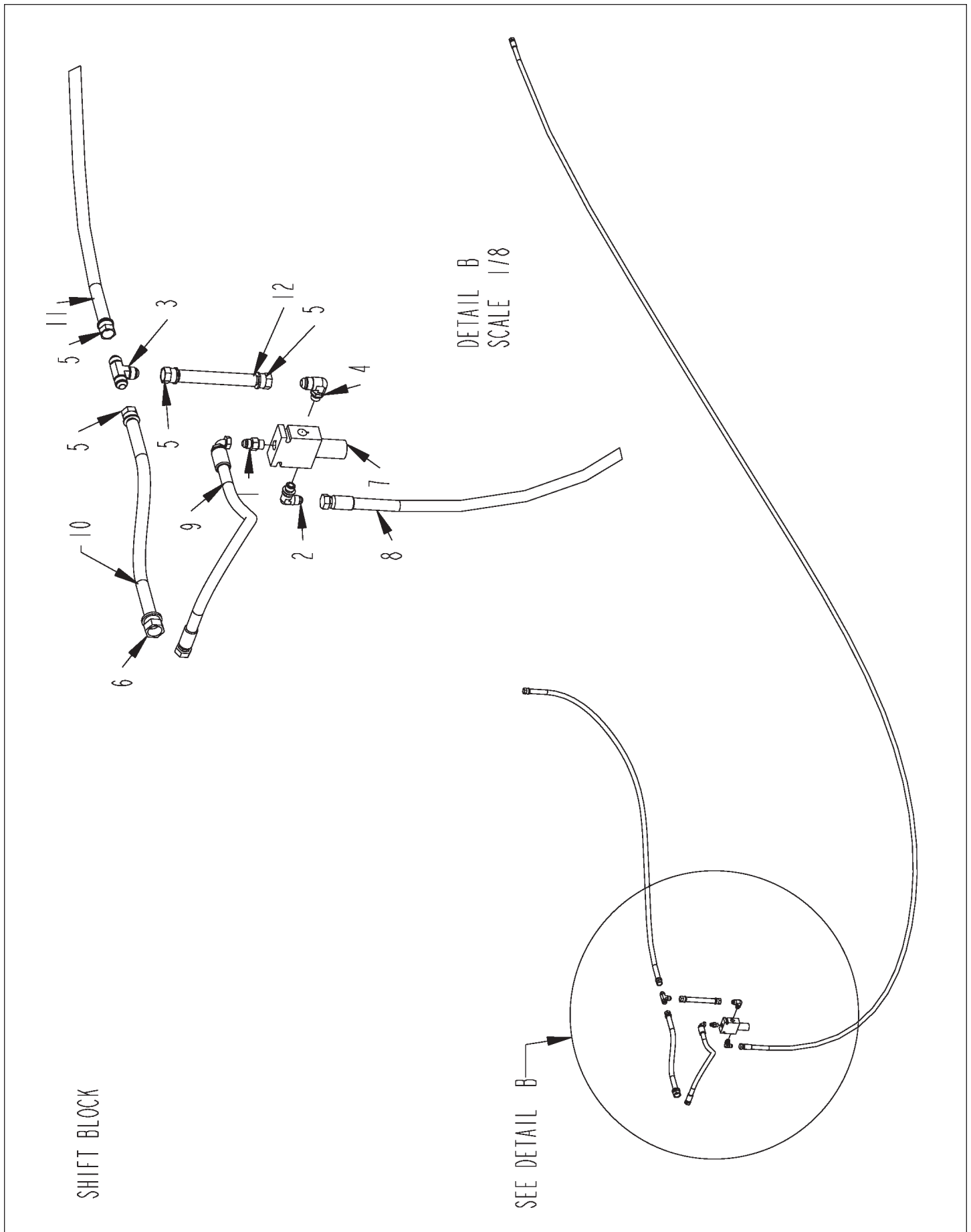




HYDRAULIC MOTORS

ITEM	PART	QTY.	PART DESCRIPTION
1	3800484	1	FTG\3/4FJICSX3/4MJICX3/4MJIC\RUN;TEE
2	3800826	3	FTG\3/4FJICX1/2SHLCK
3	3800864	5	FTG\7/8FJICX1/2SHLCK
4	3800916	4	CLMP\FLANGE\SPLIT\#62\16
5	3800918	2	FTG\8MORRX16MJIC\ST
6	3800919	4	FTG\10MORRX22MJIC\ST
7	3900046	2	MTR\HYD\256.2CID\RAD_PIST
8	3800915	1	FTG\MJICXFJICXMJIC\BR;TEE
9	3700856	1	HOSE\HYD\3/8X27> SHIFT BLOCK "1" TO #1 MOTOR "Y"
10	3700875	1	HOSE\HYD\3/4X34> LOOP FLUSH BLOCK BACK "1" TO #1 MOTOR "A"
11	3700876	1	HOSE\HYD\3/4X40> LOOP FLUSH BLOCK BACK "2" TO #1 MOTOR "R"
12	3700877	1	HOSE\HYD\3/4X120> LOOP FLUSH BLOCK BACK "4" TO #2 MOTOR "A"
13	3700878	1	HOSE\HYD\3/4X123> LOOP FLUSH BLOCK BACK "3" TO #2 MOTOR "R"
14	3700883	1	HOSE\HYD\1/2X132> AUX VALVE "FP1" TO #1 MOTOR "2"
15	3700857	1	HOSE\HYD\3/8X100> #1 MOTOR "Y" TO #2 MOTOR "Y"
16	3700884	1	HOSE\HYD\1/2X216> AUX VALVE "FP2" TO #2 MOTOR "2"
17	3700885	1	HOSE\HYD\1/2X96> #2 MOTOR "1" CASE DRAIN TO #1 MOTOR "1" TEE
18	3700886	1	HOSE\HYD\1/2X21> #1 MOTOR "1" TO SHIFT BLOCK/MOTOR DRAIN TEE

SHIFT BLOCK

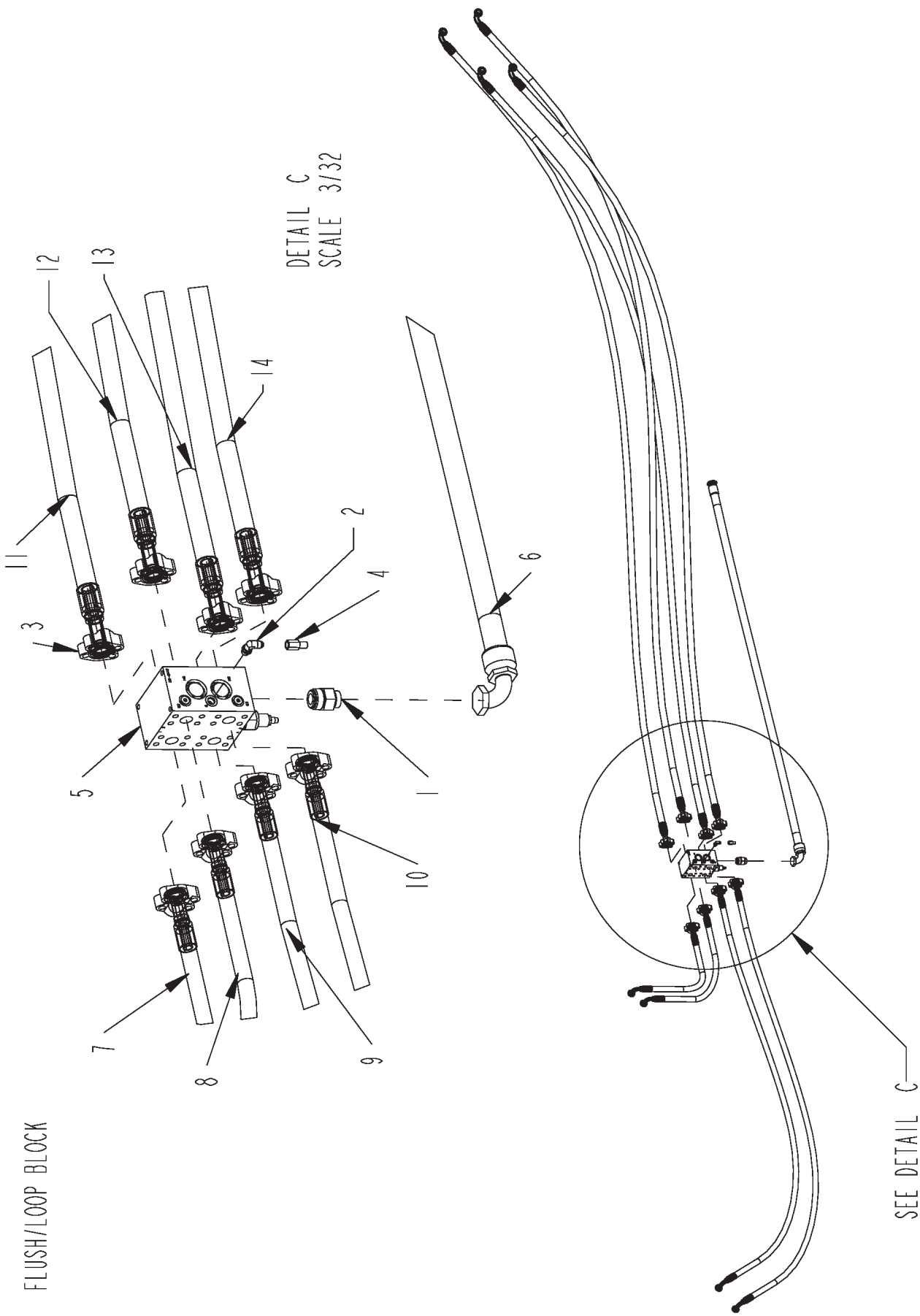


SHIFT BLOCK

ITEM	PART	QTY.	PART DESCRIPTION
1	3800631	1	FTG\9/16MORX9/16MJIC\ST
2	3800757	1	FTG\9/16MORX9/16MJIC\90
3	3800766	1	FTG\3/4MJICX3/4MJICX3/4MJIC\TEE
4	3800816	1	FTG\9/16MORX3/4MJIC\90
5	3800826	5	FTG\3/4FJICX1/2SHLCK
6	3800864	1	FTG\7/8FJICX1/2SHLCK
7	4200140	1	VALVE\2POS\3WAY\3GPM\12V\ECOIL
8	3700855	1	HOSE\3/8X252> SHIFT BLOCK "3" TO PUMP #1 FILTER HEAD
9	3700856	1	HOSE\HYD\3/8X27> SHIFT BLOCK "1" TO #1 MOTOR "Y"
10	3700886	1	HOSE\HYD\1/2X21> #1 MOTOR "1" TO SHIFT BLOCK/MTR DRAIN TEE
11	3700887	1	HOSE\HYD\1/2X84> CASE DRAIN TANK TO SHIFT BLOCK/MOTOR DRAIN TEE
12	3700888	1	HOSE\HYD\1/2X3> SHIFT BLOCK "2" TO SHIFT BLOCK/MOTOR DRAIN TEE

FLUSH/LOOP BLOCK

DETAIL C
SCALE 3/32



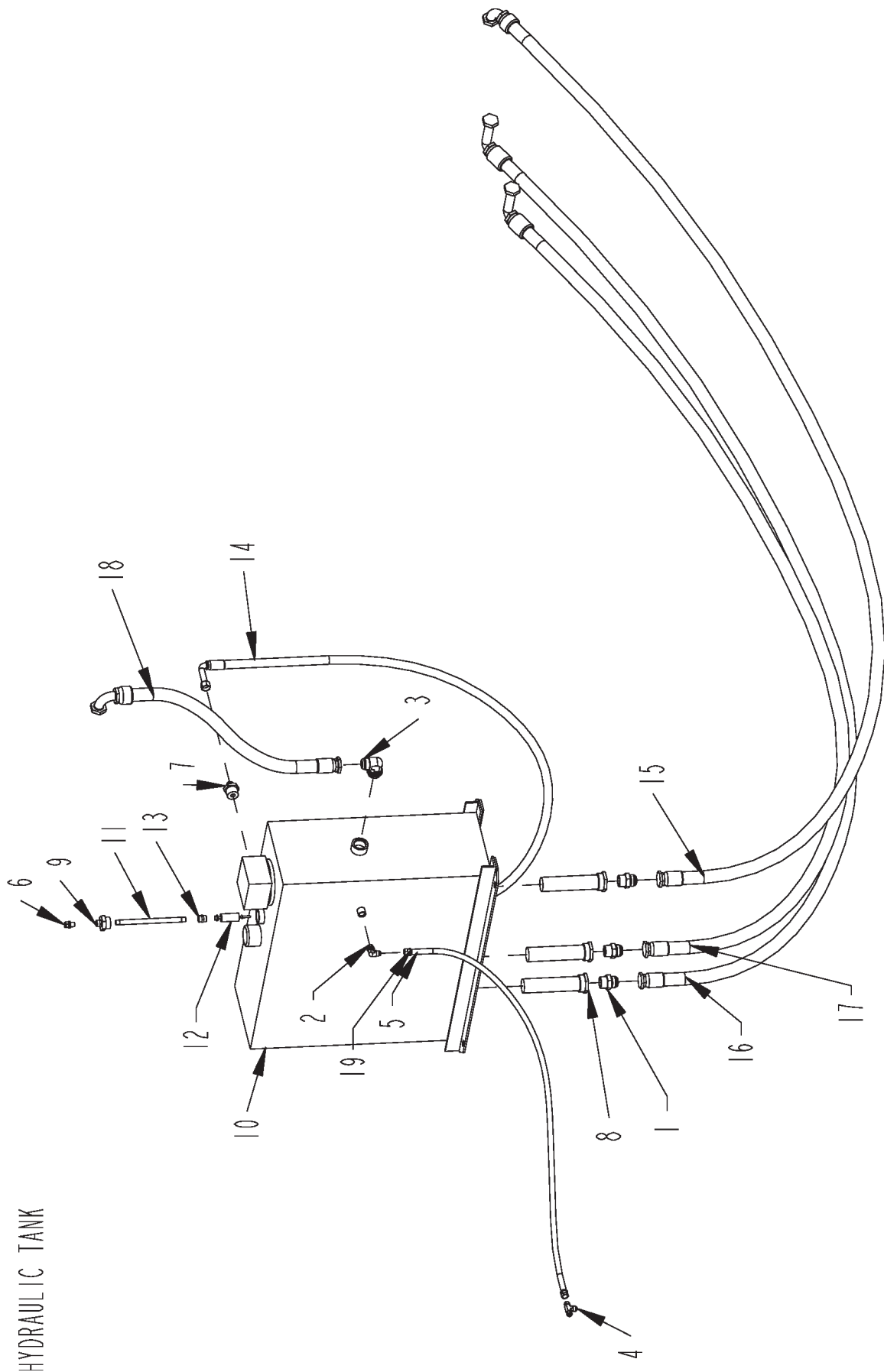
FLUSH/LOOP BLOCK

SEE DETAIL C

FLUSH/LOOP BLOCK

ITEM	PART	QTY.	PART DESCRIPTION
1	3800710	1	FTG\1-5/16MORX1-5/8MJIC\ST
2	3800757	1	FTG\9/16MORX9/16MJIC\90
3	3800811	8	CLMP\FLANGE\SPLIT\#62\1-16
4	3800917	1	FTG\9/16FJIC\CPLR\TEST
5	4000402	1	VLV\HYD\RELIEF\DUAL_FLUSH
6	3700872	1	HOSE\HYD\1-1/4X79> LOOP FLUSH BLOCK "T" TO LOOP FLUSH RET TEE
7	3700875	1	HOSE\HYD\3/4X34> LOOP FLUSH BLOCK BACK "1" TO #1 MOTOR "A"
8	3700876	1	HOSE\HYD\3/4X40> LOOP FLUSH BLOCK BACK "2" TO #1 MOTOR "R"
9	3700877	1	HOSE\HYD\3/4X120> LOOP FLUSH BLOCK BACK "4" TO #2 MOTOR "A"
10	3700878	1	HOSE\HYD\3/4X123> LOOP FLUSH BLOCK BACK "3" TO #2 MOTOR "R"
11	3700879	1	HOSE\HYD\1X236> #1 HYDRO WORK PORT "A" TO LOOP FLUSH BLOCK "1"
12	3700880	1	HOSE\HYD\1X232> #1 HYDRO WORK PORT "B" TO LOOP FLUSH BLOCK "2"
13	3700881	1	HOSE\HYD\1X224> #2 HYDRO WORK PORT "A" LOOP FLUSHING BLOCK "4"
14	3700882	1	HOSE\HYD\1X220> #2 HYDRO WORK PORT "B" LOOP FLUSHING BLOCK "3"

HYDRAULIC TANK

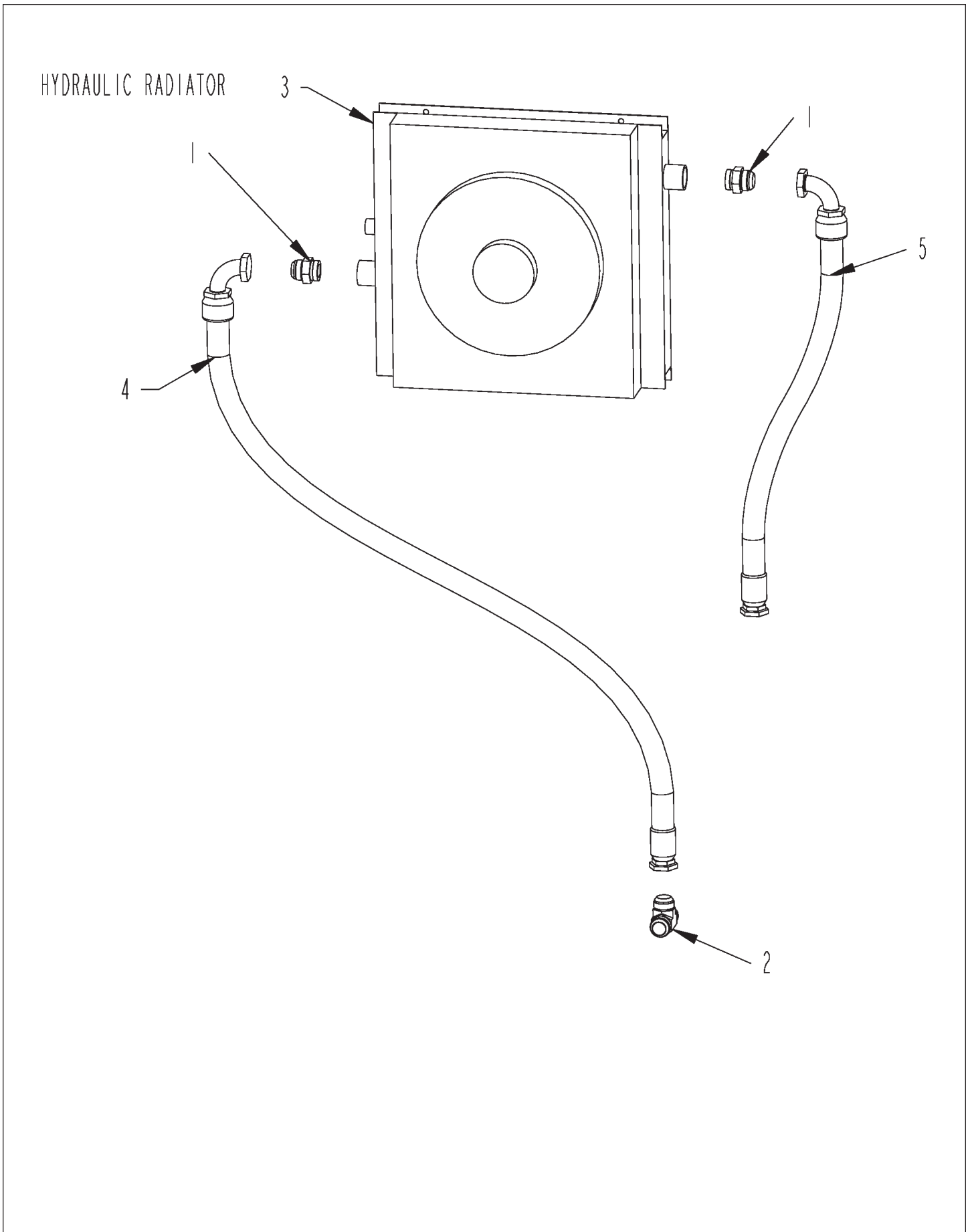


HYDRAULIC TANK

HYDRAULIC TANK

ITEM	PART	QTY.	PART DESCRIPTION
1	3800471	3	FTG\1-5/8MJICX1-1/4MP\ST\SOLID
2	3800537	1	FTG\3/4MORX3/4MJIC\90
3	3800741	1	FTG\1-5/8MORX1-5/8MJIC\90
4	3800766	1	FTG\3/4MJICX3/4MJICX3/4MJIC\TEE
5	3800826	2	FTG\3/4FJICX1/2SHLCK
6	3800901	1	FTG\3/8MPX(2).125"CORDGRIPS\NYLON
7	3800914	1	FTG\1-1/16MJICX1-1/4MP\ST\SOLID
8	4400007	3	FLTR\SCRN\2MPX1-1/4FP\25GPM
9	4704868	1	PLUG\SENSOR\TEMP\LEVEL
10	4704887	1	TANK\OIL\ASSY\CMF_TRUCK
11	4704888	1	TUBE\DROP\SENSOR\TEMP\LEVEL\CMF
12	5700660	1	SWITCH\TEMP\LEVEL\185DEG
13	3800103	2	FTG\3/8FP\CPLG
14	3700867	1	HOSE\HYD\3/4X97> AUX VALVE "T" TO TOP HYDRAULIC TANK FILTER
15	3700868	1	HOSE\HYD\1-1/4X186> GEAR PUMP SUCTION TO BOTTOM PASSENGER SIDE OF HYDRAULIC TANK
16	3700869	1	HOSE\HYD\1-1/4X177> #1 HYDRO SUCTION "H" TO BOTTOM DRIVERS SIDE OF HYDRAULIC TANK
17	3700870	1	HOSE\HYD\1-1/4X167> #2 HYDRO SUCTION "H" TO BOTTOM MIDDLE OF HYDRAULIC TANK
18	3700874	1	HOSE\HYD\1-1/4X38> TOP PORT OF COOLER TO SIDE OF HYDRAULIC TANK
19	3700887	1	HOSE\HYD\1/2X84> CASE DRAIN TANK TO SHIFT BLOCK8MOTOR DRAIN TEE

HYDRAULIC RADIATOR

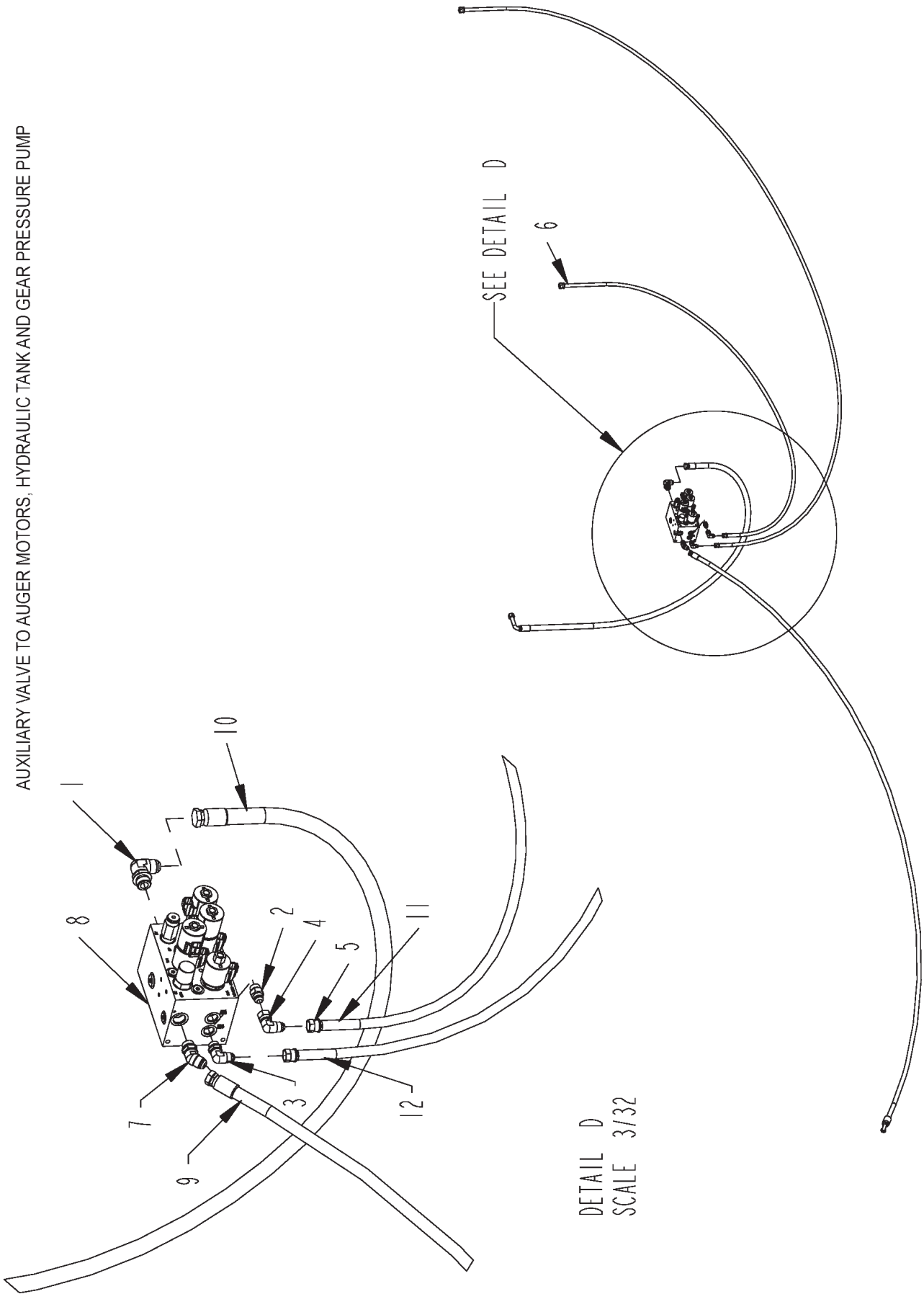


HYDRAULIC RADIATOR

ITEM	PART	QTY.	PART DESCRIPTION
1	3800470	2	FTG\1-5/8MORX1-5/8MJIC\ST
2	3800913	1	FTG\1-5/8MJICX1-5/8MJICX1-5/8MJIC
3	4200133	1	RAD\HYD\DCS30\12V\W/BYPASS
4	3700873	1	HOSE\HYD\1-1/4X71> LOOP FLUSH BLOCK RET TEE TO BYPASS SIDE OF COOLER
5	3700874	1	HOSE\HYD\1-1/4X38> TOP PORT OF COOLER TO SIDE OF HYDRAULIC TANK

AUXILIARY VALVE

AUXILIARY VALVE TO AUGER MOTORS, HYDRAULIC TANK AND GEAR PRESSURE PUMP

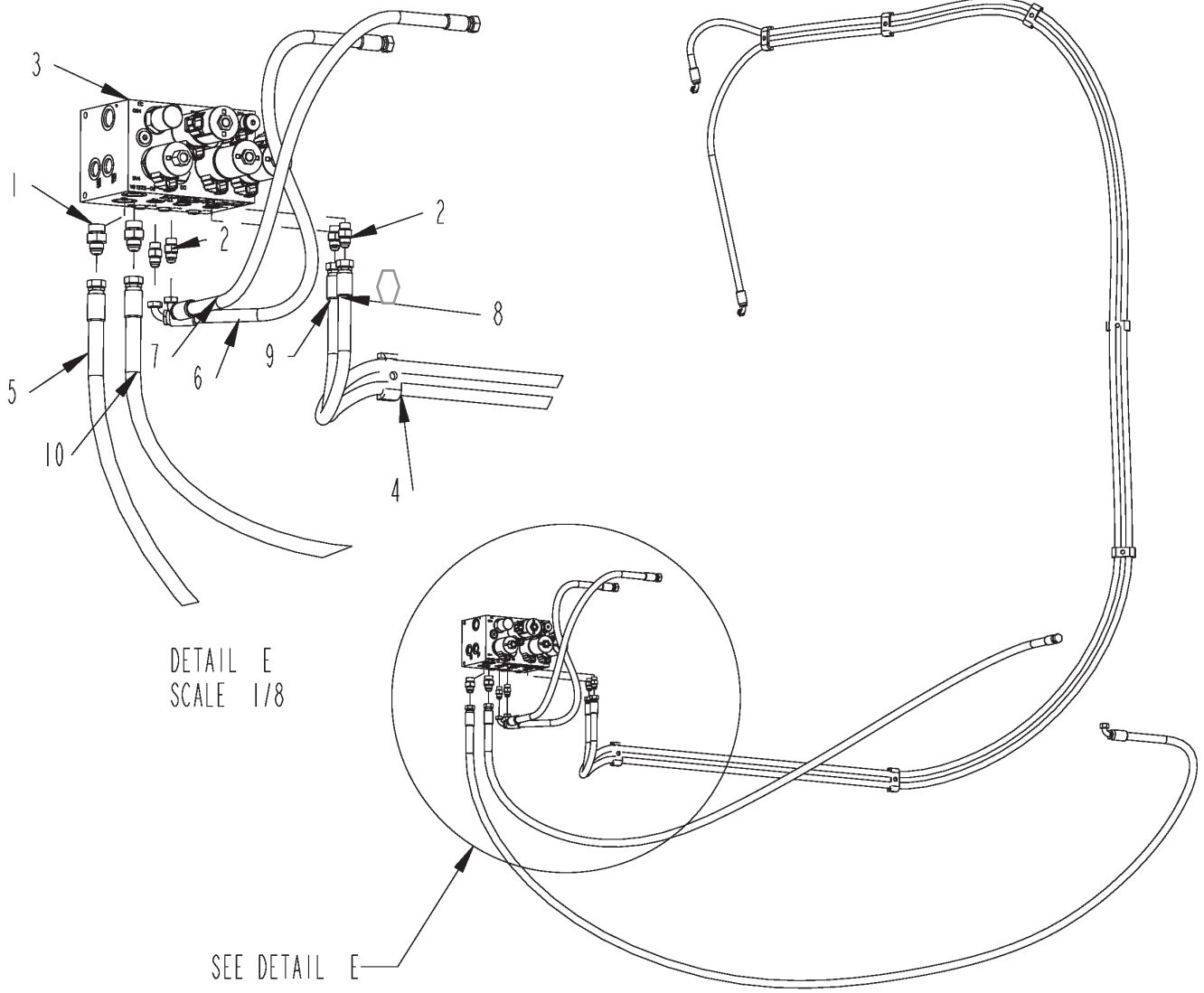


DETAIL D
SCALE 3/32

AUXILIARY VALVE

ITEM	PART	QTY.	PART DESCRIPTION
1	3800279	1	FTG\1-1/16MORX1-1/16MJIC\90
2	3800477	1	FTG\3/4MORX3/4MJIC\ST
3	3800537	1	FTG\3/4MORX3/4MJIC\90
4	3800546	1	FTG\3/4MJICX3/4FJIC\90\SW
5	3800826	2	FTG\3/4FJICX1/2SHLCK
6	3800864	2	FTG\7/8FJICX1/2SHLCK
7	3800915	1	FTG\7/8MOR\7/8\MJIC\45
8	4000340	1	VLV\AUX\ASSY\CMFTRCK
9	3700865	1	HOSE\HYD\5/8X177> GEAR PRESSURE PUMP TO AUX VALVE "P"
10	3700867	1	HOSE\HYD\3/4X97> AUX VALVE "T" TO TOP TANK FILTER
11	3700883	1	HOSE\HYD\1/2X132> AUV VALVE "FP1" TO #1 MOTOR "2"
12	3700884	1	HOSE\HYD\1/2X216> AUX VALVE "FP2" TO #2 MOTOR "2"

AUXILIARY VALVE

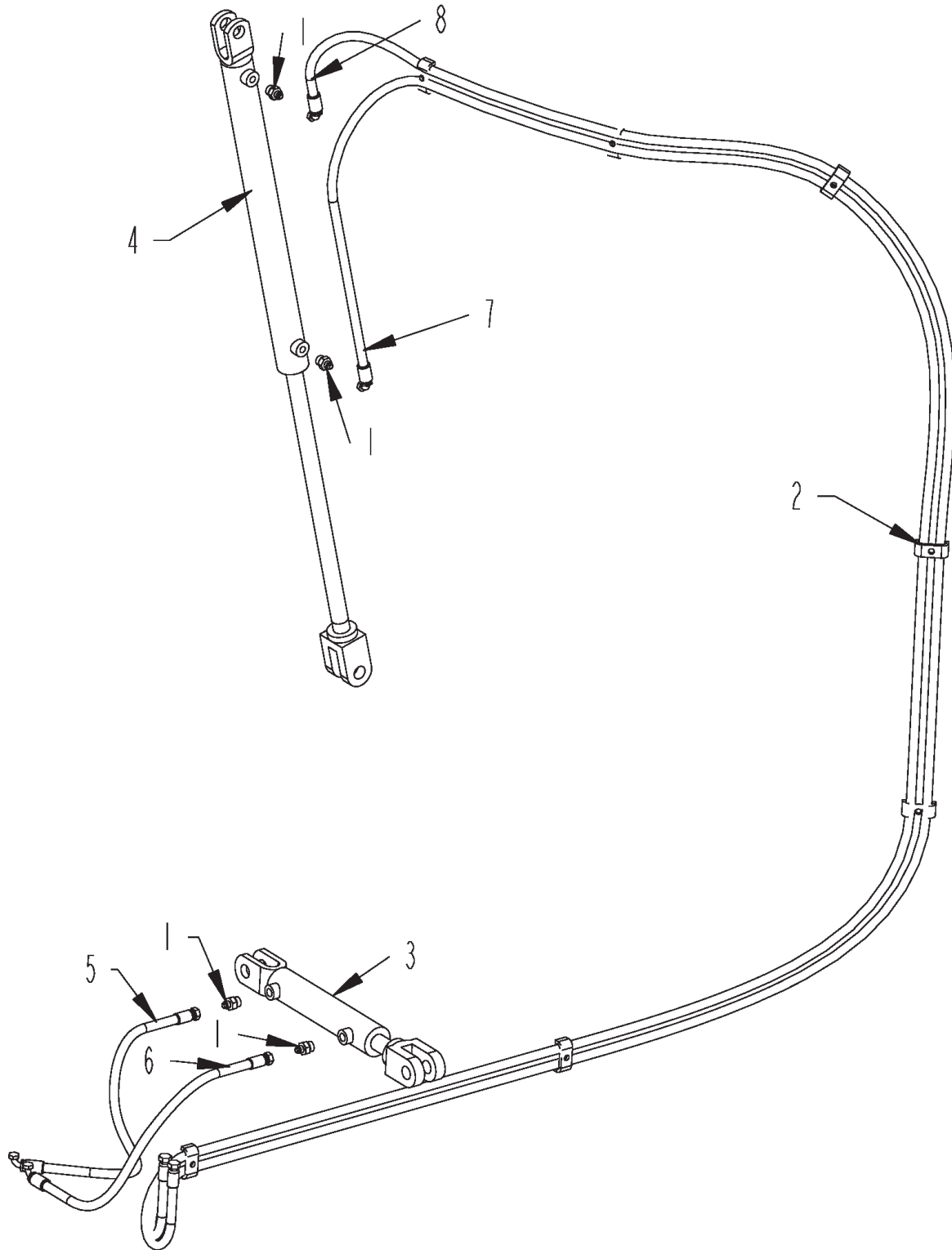


AUXILIARY VALVE TO CONVEYOR CYLINDER, MOTORS AND DOOR CYLINDER

AUXILIARY VALVE

ITEM	PART	QTY.	PART DESCRIPTION
1	3800328	2	FTG\7/8MORX3/4MJIC\ADPT
2	3800631	4	FTG\9/16MORX9/16MJIC\ST
3	4000340	1	VLV\AUX\ASSY\CMFTRCK
4	4700776	7	CLMP\HOSE\3/8
5	3700864	1	HOSE\HYD\1/2X101> BOTTOM PORT OF CONVEYOR EXTENSION MOTOR
6	3700858	1	HOSE\HYD\3/8X24 AUX VALVE "C1" TO TUBE END EXTENSION CYLINDER
7	3700859	1	HOSE\HYD\3/8X31 AUX VALVE "C2" TO ROD END EXTENSION CYLINDER
8	3700860	1	HOSE\HYD\3/8X225> AUX VALVE "C5" TO ROD END DOOR CYLINDER
9	3700861	1	HOSE\HYD\3/8X198> AUX VALVE "C6" TO TUBE END DOOR CYLINDER
10	3700862	1	HOSE\HYD\1/2X96> AUX VALVE "M1" TO TOP PORT CONVEYOR MOTOR

DOOR AND CONVEYOR CYLINDERS

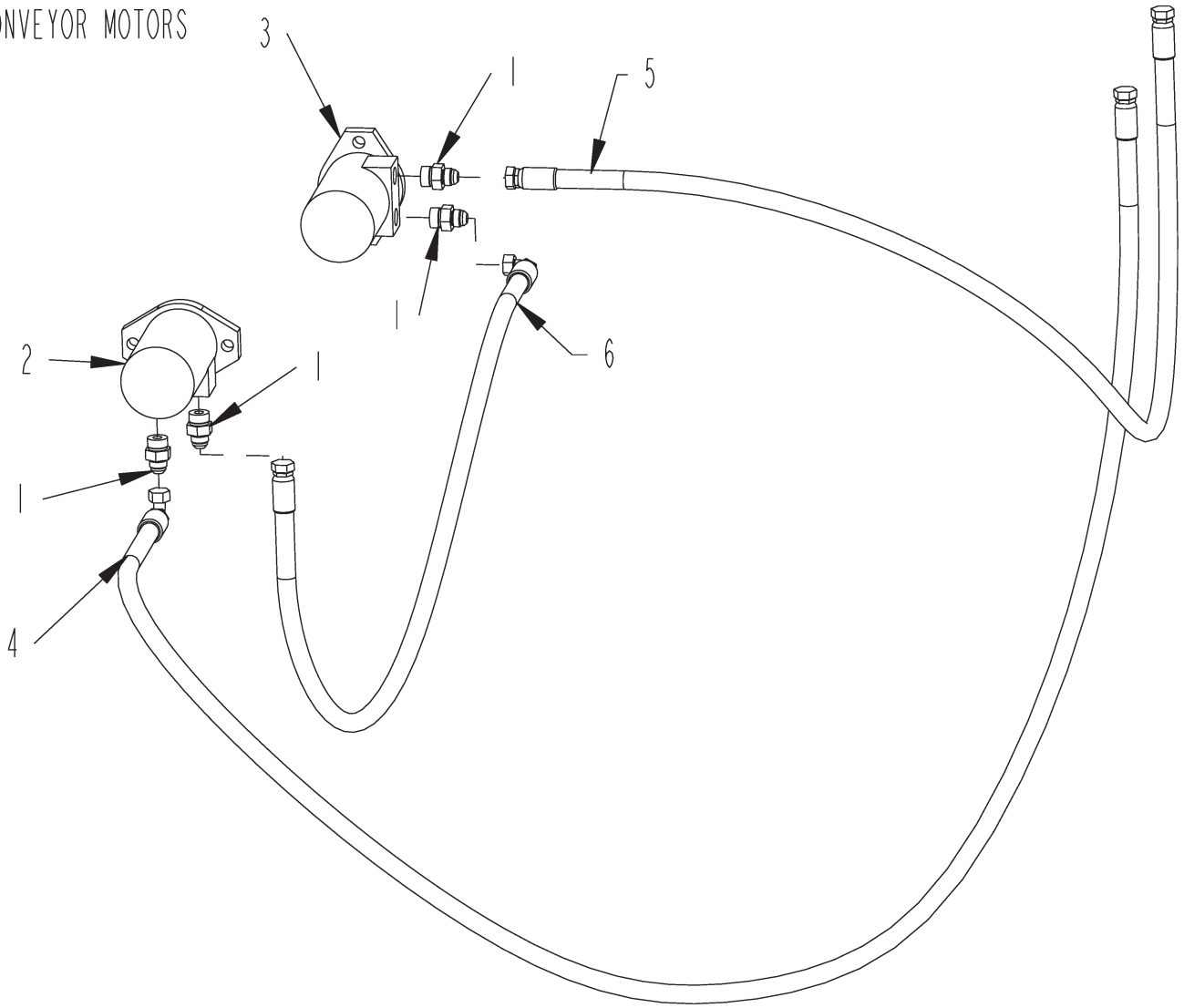


DOOR AND CONVEYOR CYLINDERS

ITEM	PART	QTY.	PART DESCRIPTION
1	3800530	4	FTG\3/4MORX9/16MJIC\ST
2	4700776	7	CLMP\HOSE\3/8
3	4100226	1	CYL\HYD\2X8\1-1/4RD\WELDE
4	4100241	1	CYL\HYD\2"X24"\1-1/4"ROD
5	3700858	1	HOSE\HYD\3/8X24 AUX VALVE "C1" TO TUBE END OF CONVEYOR EXTENSION CYLINDER
6	3700859	1	HOSE\HYD\3/8X31 AUX VALVE "C2" TO ROD END OF CONVEYOR EXTENSION CYLINDER
7	3800860	1	HOSE\HYD\3/8X225> AUX VALVE "C5" TO ROD END DOOR CYLINDER
8	3700861	1	HOSE\HYD\3/8X198> AUX VALVE "C6" TO TUBE END DOOR CYLINDER

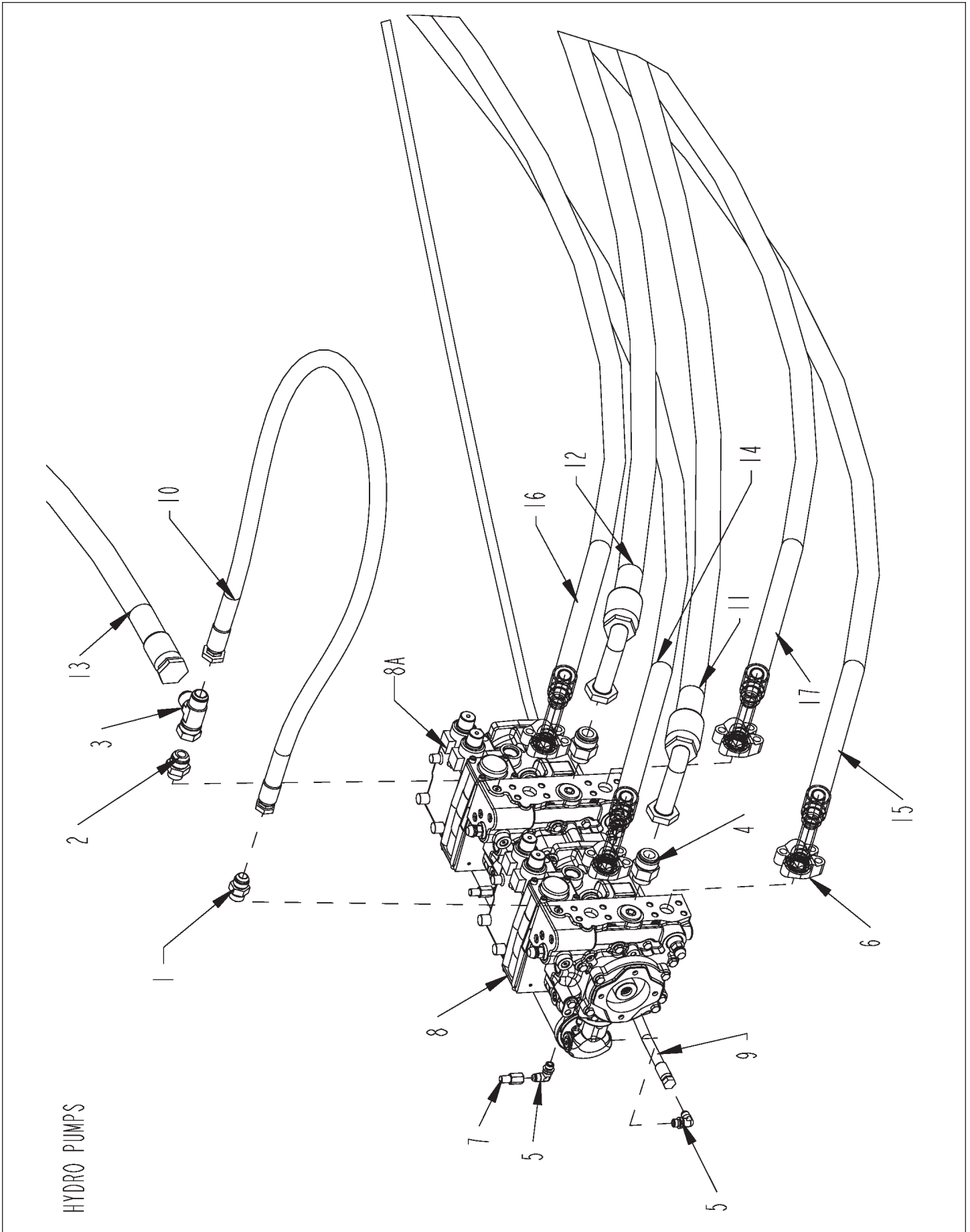
CONVEYOR MOTORS

CONVEYOR MOTORS



CONVEYOR MOTORS

ITEM	PART	QTY.	PART DESCRIPTION
1	3800328	4	FTG\7/8MORX3/4MJIC\ADPT
2	3900025	1	MOTOR\HYD\17.9\H\AMNT\7/8FOR\1SHFT
3	3900032	1	MOTOR\HYD\22.6\H\AMNT\7/8FOR\1SHFT
4	3700864	1	HOSE\HYD\1/2X101> BOTTOM PORT EXTENSION MOTOR TO AUX VALVE "M2"
5	3700862	1	HOSE\HYD\1/2X96> AUX VALVE "M1" TO TOP PORT CONVEYOR MOTOR
6	3700863	1	HOSE\HYD\1/2X28> BOTTOM PORT CONVEYOR MOTOR TO TOP PORT EXTENSION MOTOR



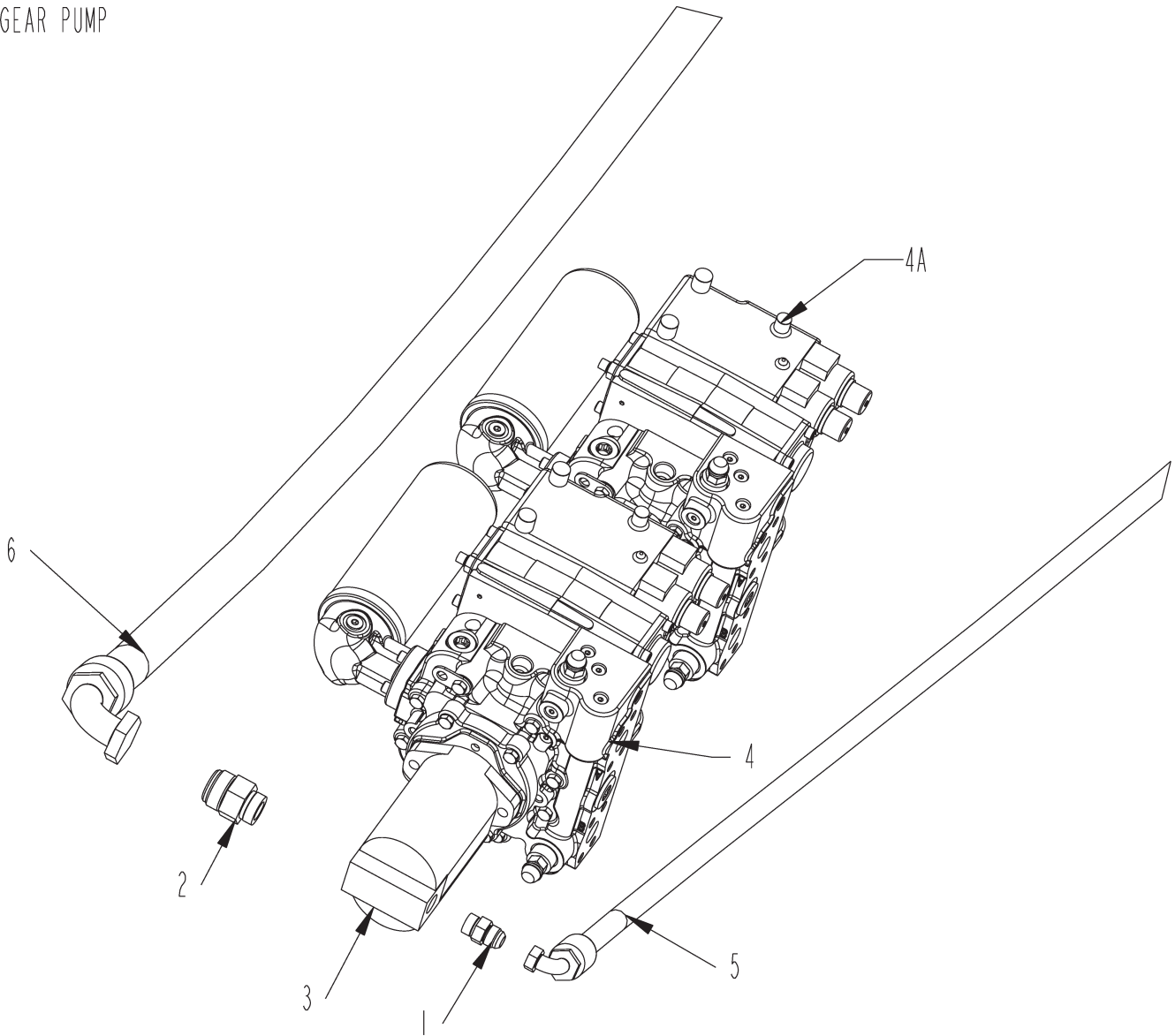
HYDRO PUMPS

HYDRO PUMPS

ITEM	PART	QTY.	PART DESCRIPTION
1	3800277	1	FTG\1-1/16MORX1-1/16MJIC\ST
2	3800294	1	FTG\1-5/16MORX1-1/16MJIC\ST
3	3800497	1	FTG\1-5/16FJICX1-5/16MJICX1-5/16MJIC\RUN;TEE
4	3800710	2	FTG\1-5/16MORX1-5/8MJIC\ST
5	3800757	5	FTG\9/16MORX9/16MJIC\90
6	3800811	4	CLMP\FLANGE\SPLIT\#62\16
7	3800917	4	FTG\9/16FJIC\CPLR\TEST
8	4200130	1	PUMP\HYD\4.6\HYDRO\FRNT
8A	4200131	1	PUMP\HYD\4.6\HYDRO\REAR
9	3700855	1	HOSE\3/8X252> SHIFT BLOCK "3" TO HYDRO PUMP #1 FILTER HEAD
10	3700866	1	HOSE\HYD\3/4X27> #1 HYDRO CASE DRAIN "E" TO #2 HYDRO CASE DRAIN TEE
11	3700869	1	HOSE\HYD\1-1/4X177> #1 HYDRO SUCTION "H" TO BOTTOM DRIVERS SIDE OF HYDRAULIC TANK
12	3700870	1	HOSE\HYD\1-1/4X167> #2 HYDRO SUCTION "H" TO BOTTOM MIDDLE OF HYDRAULIC TANK
13	3700871	1	HOSE\HYD\1-1/4X147> #2 HYDRO CASE DRAIN "E" TEE TO LOOP FLUSH BLOCK RET. TEE
14	3700879	1	HOSE\HYD\1X236> #1 HYDRO WORK PORT "A" TO LOOP FLUSH BLOCK "1"
15	3700880	1	HOSE\HYD\1X232> #1 HYDRO WORK PORT "B" TO LOOP FLUSH BLOCK "2"
16	3700881	1	HOSE\HYD\1X224> #2 HYDRO WORK PORT "A" TO LOOP FLUSH BLOCK "4"
17	3700882	1	HOSE\HYD\1X220> #2 HYDRO WORK PORT "B" TO LOOP FLUSH BLOCK "3"

GEAR PUMP

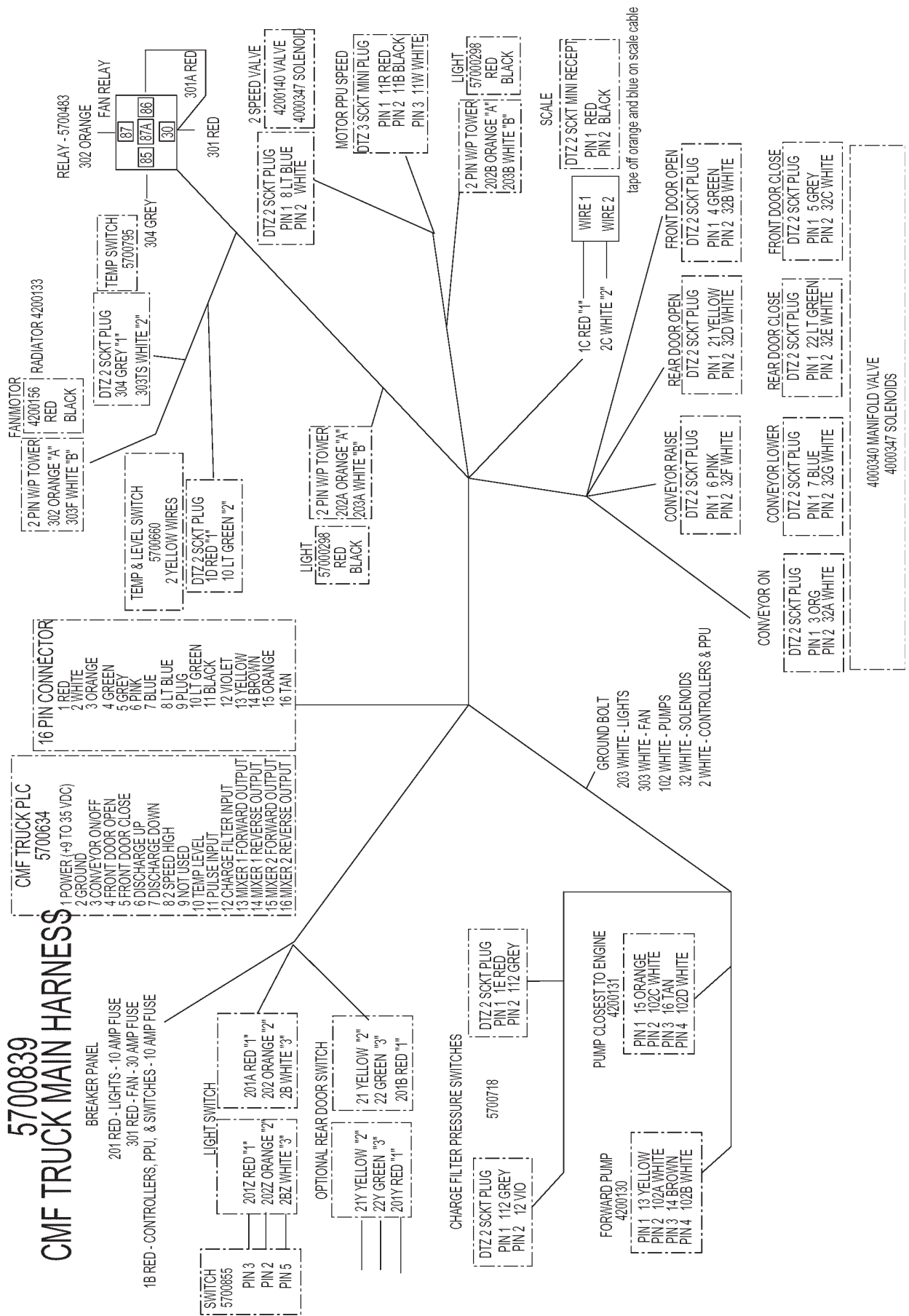
GEAR PUMP



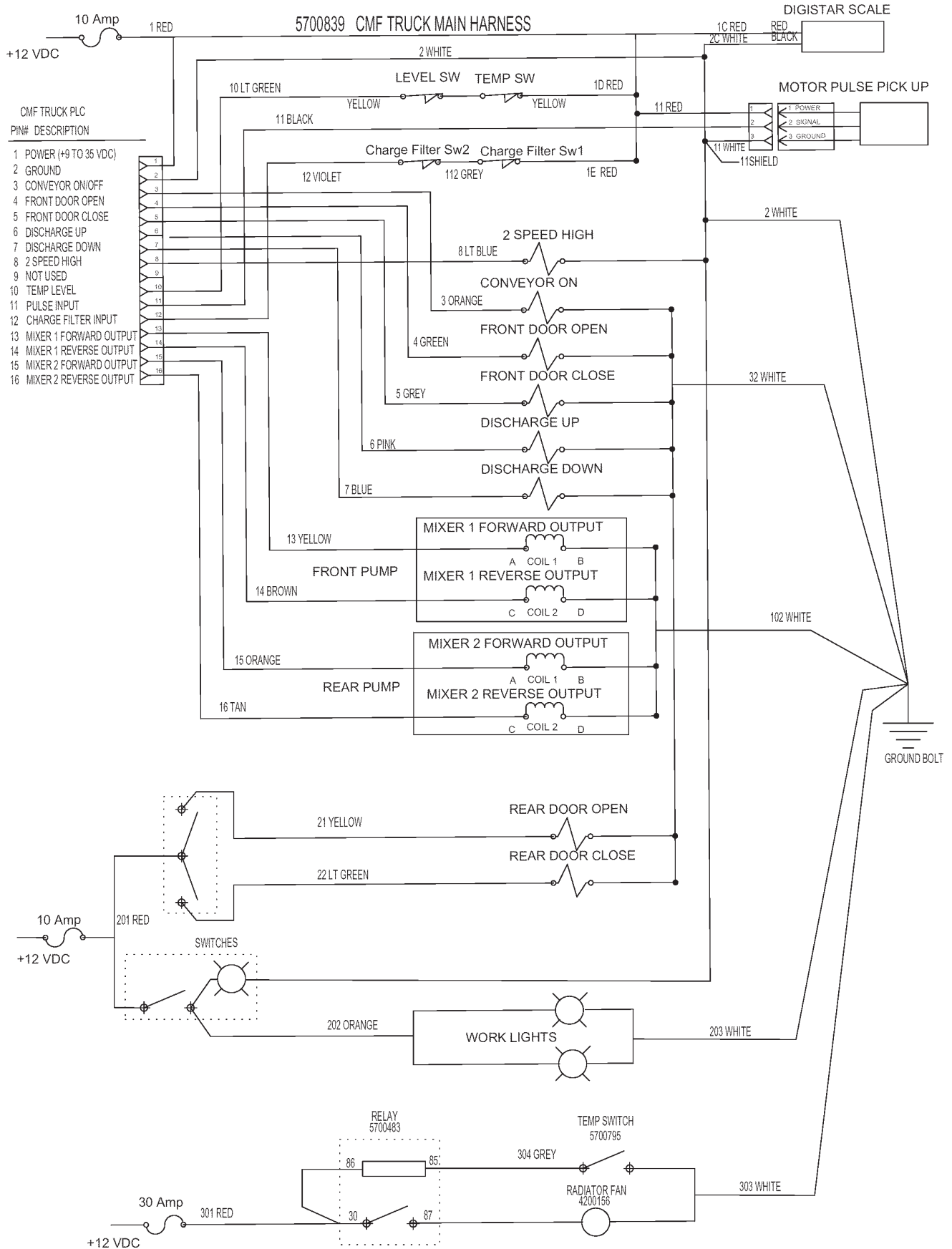
GEAR PUMP

ITEM	PART	QTY.	PART DESCRIPTION
1	3800448	1	FTG\7/8MORX7/8MJIC\ST
2	3800710	1	FTG\1-5/16MORX1-5/8MJIC\ST
3	4200132	1	PUMP\HYD\1.87CU.IN.\LH\26013\LZA
4	4200130	1	PUMP\HYD\4.6\HYDRO\FRNT
4A	4200131	1	PUMP\HYD\4.6\HYDRO\FRNT
5	3700865	1	HOSE\HYD\5/8X177> GEAR PUMP PRESSURE TO AUX VALVE "P"
6	3700868	1	HOSE\HYD\1-1/4X186> GEAR PUMP SUCTION TO PASSENGER SIDE OF HYDRAULIC TANK

5700839
CMF TRUCK MAIN HARNESS



CMF-700 TRUCK MOUNT MAIN WIRING SCHEMATIC





CMF-700 Documentation Comment Form

DuraTech Industries welcomes your comments and suggestions regarding the quality and usefulness of this manual. Your comments help us improve the documentation to better meet your needs.

- Did you find any errors?
- Is the information clearly presented?
- Does the manual give you all the information you need to operate the equipment safely and effectively?
- Are the diagrams and illustrations correct?
- Do you need more illustrations?
- What features do you like most about the manual? What features do you like least?

If you find errors or have specific suggestions, please note the topic, chapter and page number.

Send your comments to:

DuraTech Industries International, Inc.

P.O. Box 1940

Jamestown, ND 58402-1940

OR

Contact us through our website: www.duratechindustries.net

Thank you for taking the time to help us improve our documentation.

Please fill out the delivery report on the following pages. The white copy is to be returned to:

DuraTech Industries International Inc.
P.O. Box 1940
Jamestown, ND
58402-1940

The yellow copy is the dealer copy; the pink copy is to be retained by the customer.

CMF - 700 TRUCK MOUNT HYDRAULIC SCHEMATIC

