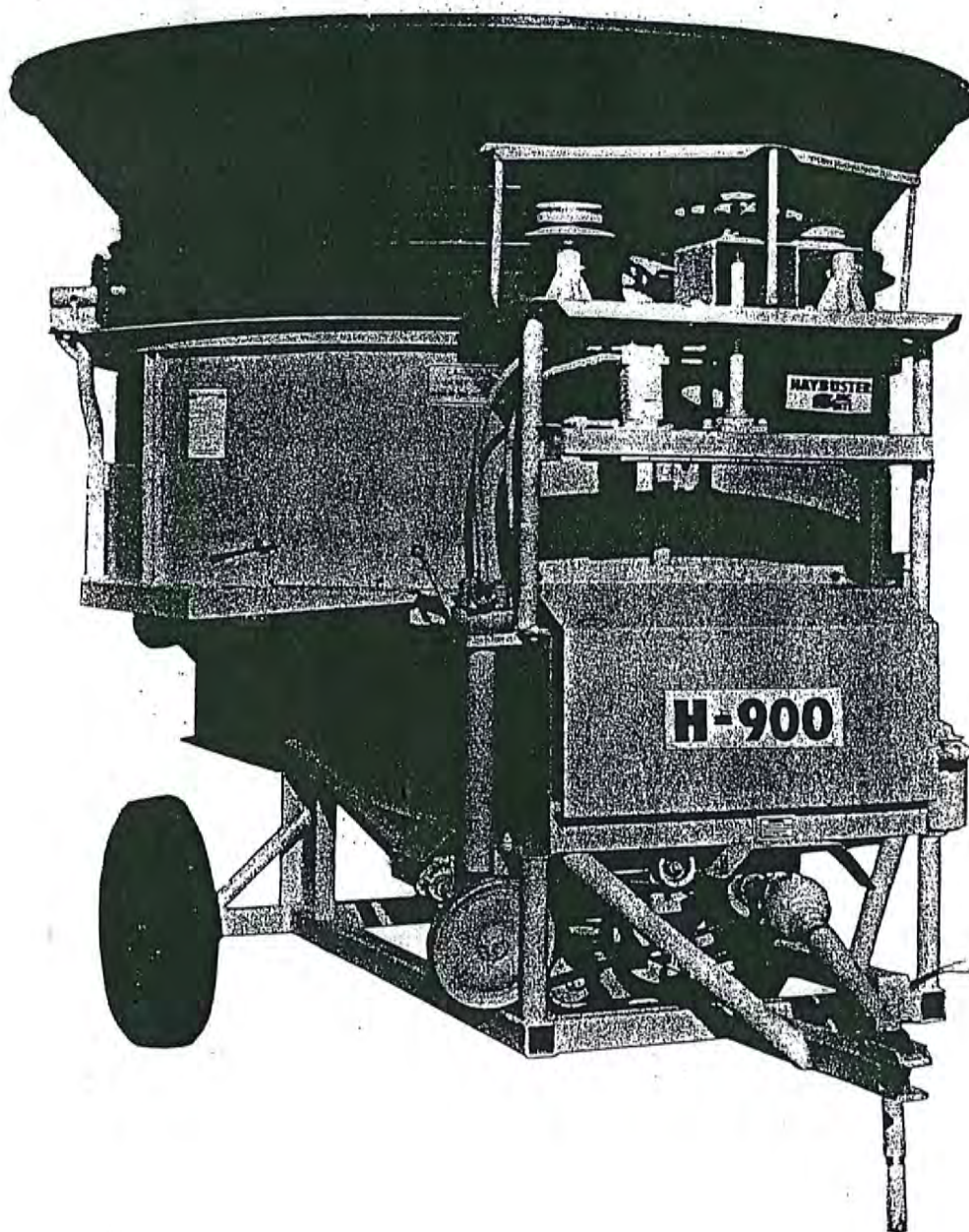


HAYBUSTER

H-900 PARTS BOOK



PRICE \$2.25

HAYBUSTER MANUFACTURING, BOX 1008, JAMESTOWN, NORTH DAKOTA 58401

HAYBUSTER GRINDER WARRANTY

For one year from purchase date, HAYBUSTER MANUFACTURERS will replace for the original purchaser, free of charge, any part or parts found upon examination at our factory in Jamestown, North Dakota, to be defective upon normal use and service, on account of defects in material or workmanship. HAMMERS, SCREENS, BELTS, BEARINGS and TIRES ARE NOT INCLUDED IN THIS WARRANTY.

This warranty shall not be effective if the machine has been subject to misuse, negligence, or accident, nor if the machine has been altered outside of our factory, which in our judgement effects its conditions or operation.

WARRANTY REGISTRATION FORM MUST BE FILLED OUT AND SIGNED TO VALIDATE YOUR WARRANTY PROTECTION

REPLACEMENT PARTS ARE AVAILABLE ONLY THROUGH YOUR HAYBUSTER DEALER

To obtain the fastest service, always remember to:

1. Order by part number.
2. Give the machine year and model.
3. Include the serial number.

Specifications for H-900 Grinder

H-900 Haybuster Tub Grinder

Weight	4,500 lbs.
Width	9 feet
Height	8 ft. 2 in.
Length	13 ft. 3 in., without conveyor
Wheels	Drop Center rims. Timken bearings
Bearings	All standard size grease sealed
Recommended Tire Size	7.60 x 15
Recommended Power	50 to 150
Main Drive	Pto 540 to 1000 rpm
Capacity	Hay - up to 30 ton per hour Ear corn - up to 700 bu. per hour Grain - up to 700 bu. per hour Will grind big bale

Hammermill

Standard Number of Hammers	60
Hammer Size	2-1/2 x 7-3/4, 5/16 or 3/8
Cylinder shaft diameter	42 in. long, 26 in. diameter, hammers extended
Screen Area	2,268 sq. in.
Feed Delivery	20 ft. rubber belt conveyor with slats

Tub

Width	9 ft.
Depth	54 in.
Tub Drive	Hydraulic

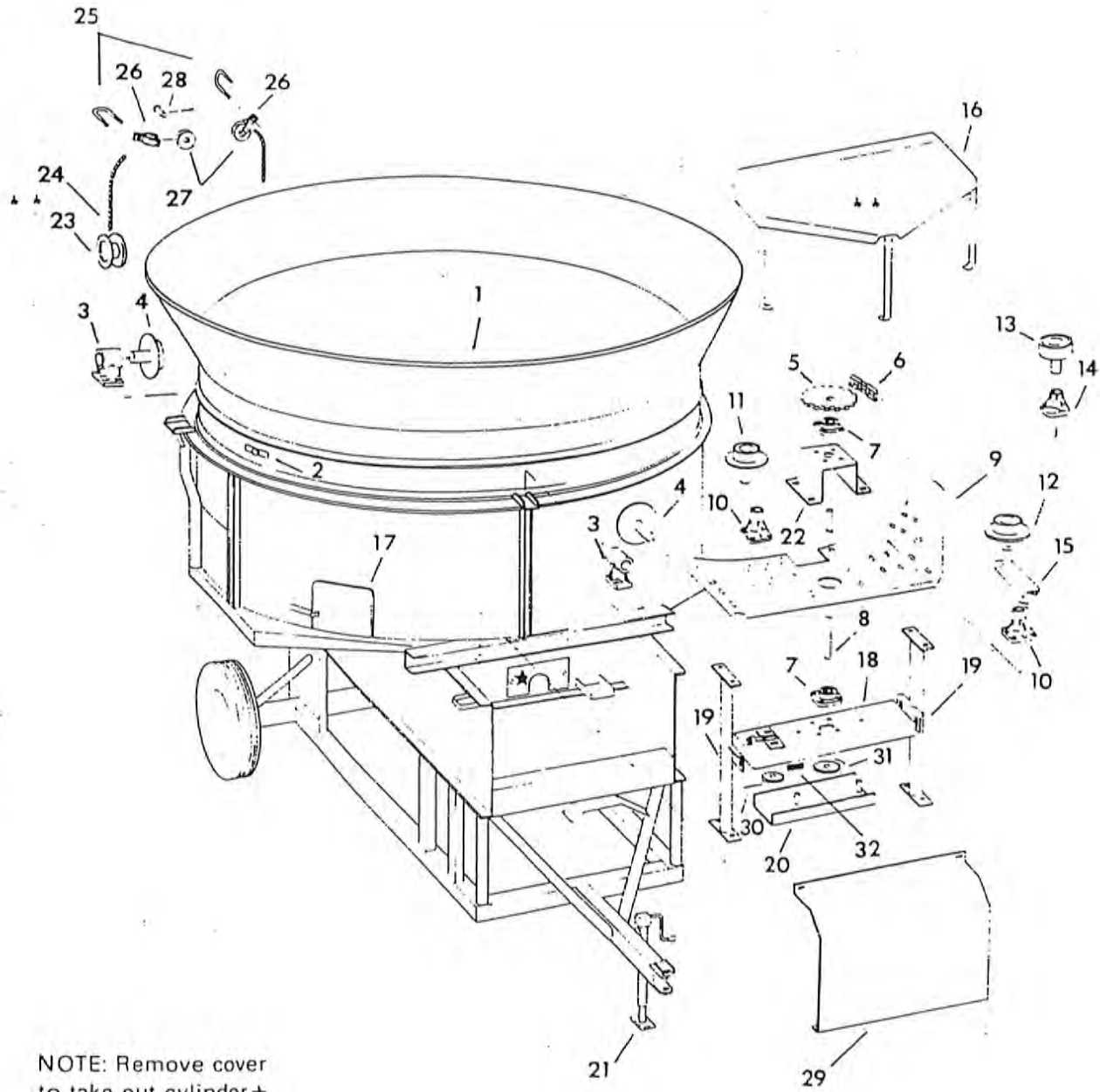
Contents

This book is printed in six sections, Main Frame and Tub, Main Drive, Cylinder, Conveyor, Hydraulics and Tires and Wheels. See page 8 for Hydraulic Governor adjustments.

The pages in this book are numbered consecutively throughout the entire book.

When changes to the machine make it necessary, revised or additional pages for this book will be issued with complete directions for additions and deletions. The revised pages will be issued with the same page number as those they replace. The new additional pages, however, will either carry the next consecutive number or a suffix behind the page number (2-A, 2-B, 3-C, etc.) giving the proper location for the new pages to be placed in the book. Revised parts pages must be inserted into the book as soon as received. Failure to do so will result in confusion and defeat the purpose of the book.

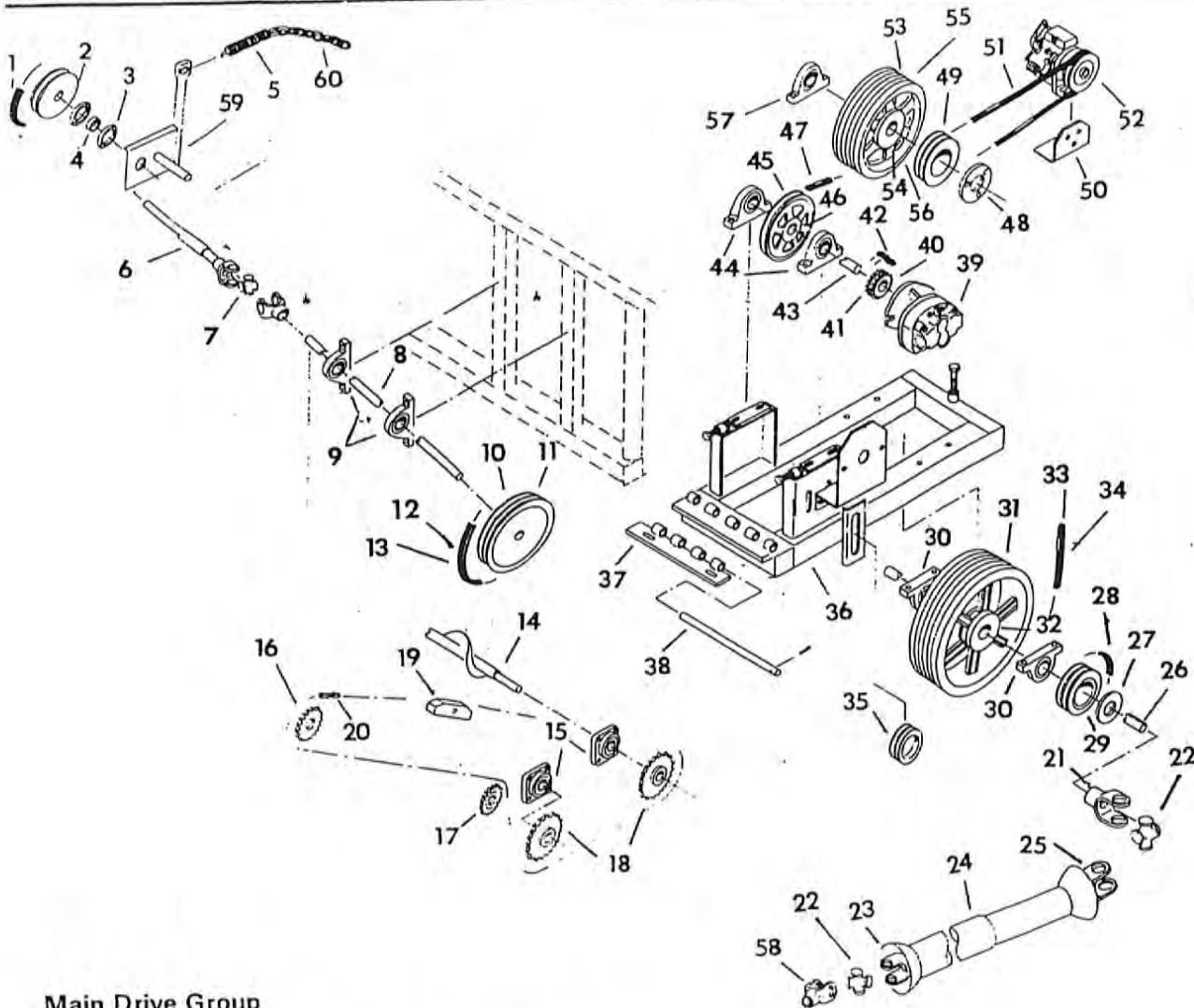
2 Main Frame and Tub



NOTE: Remove cover
to take out cylinder ★

Ref.	Part No.	Qty.	Description
1	4500033	1	Tub
2	4500018	3	Tub Knobs and Shims
3	1200003	4	Casting
4	1200002	4	Tub Roller
5	1000032	1	Tub Drive Sprocket
6	1100028	1	Tub Chain
	1100021	1	Offset Link
	1100020	1	Connector
	1100019	1	Narrow Link
7	1900005	2	Bearing
8	2400005	1	Tub Drive Shaft 24-3/4" x 1-1/4"
9	4500012	1	Tub Drive Platform
10	1200005	2	Pedestal
11	1200004	1	Chain Tightener Roller
12	1200007	1	Chain Tightener Roller
13	1200008	1	Pressure Roller
14	1200006	1	Pedestal
15	4500011	1	Swing Idler Arm
16	4500015	1	Picnic Table
17	4500015	1	Platform Cleanout Door
18	4500010	1	Orbitmotor Bracket
19	4500009	1	Tub Drive Support Bracket
20	4500008	1	Chain Shield
21	6400001	1	Hitch Jack
22	4500013	1	Top Hat
23	5800001	1	Winch
24	5600002	1	Cable
25	4800027	2	Cable Clamp
26	4500024	2	Cable Sheave Bracket
27	5500001	2	Sheave
28	4800026	1	Cable Sheave Pin and Key
29	4500035	1	Front Shield
30	1000020	1	Sprocket, 60P, 12T, 1-1/4 Bore, 5/16 KW
31	1000033	1	Sprocket, 60P, 30T, 1-1/4 Bore, 1/4 KW
32	1100029	1	Chain, 60P

4 Main Drive

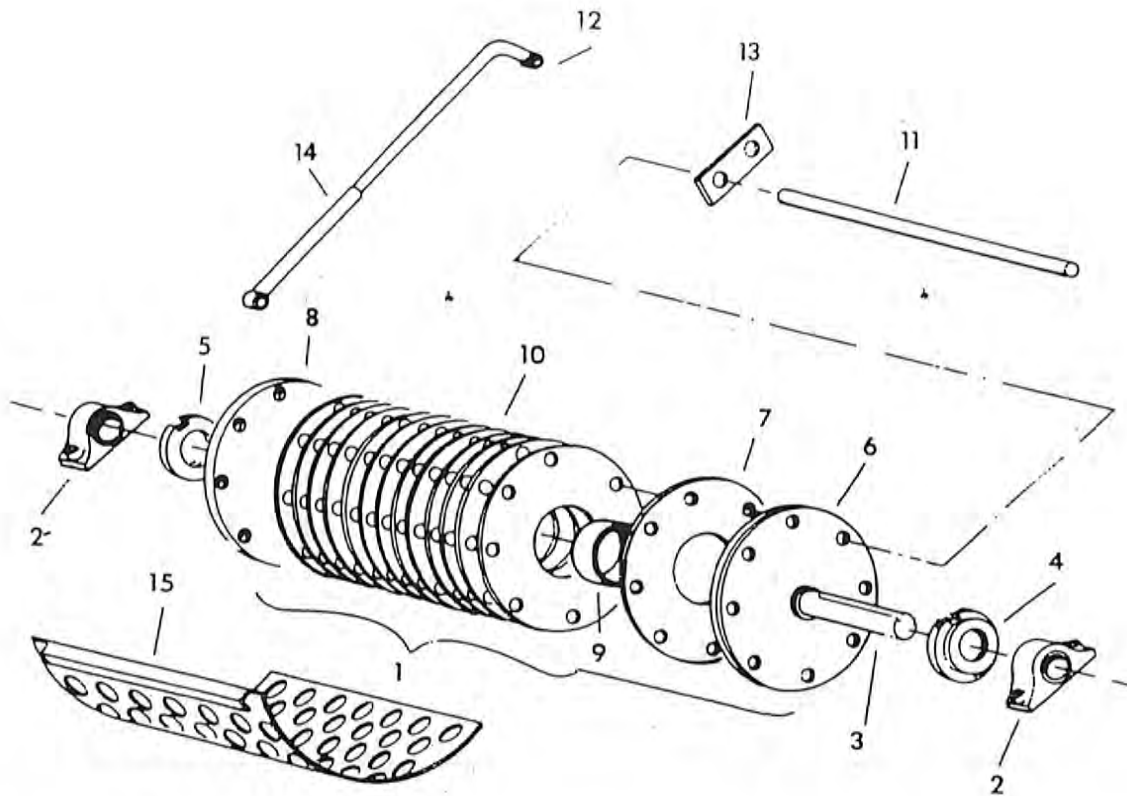


Main Drive Group

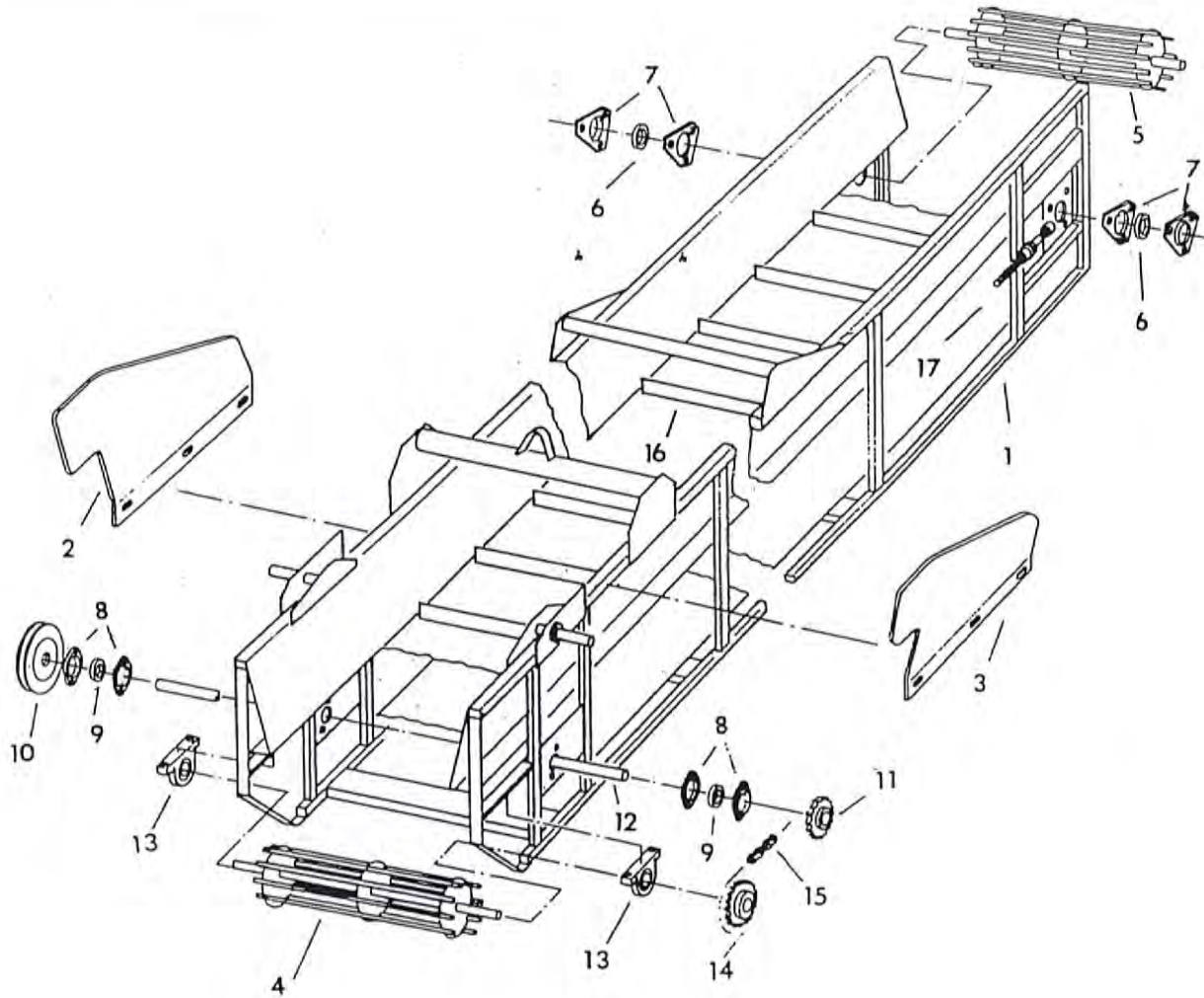
Ref.	Part No.	Qty.	Description
1	1600003	1	Belt <i>B-67</i>
2	1400009	1	Pulley
3	2100002	2	Flangette
4	2000002	1	Bearing
5	6100001	1	Spring
6	4500006	1	Conveyor Tumbling Shaft
7	3600019	1	U Joint
8	4500003	1	Shaft
9	1800003	2	Bearing
10	1300003	2	Pulley, 1000 R.P.M.
11	1300002	2	Pulley, 540 R.P.M.
12	1600004	2	Belt, 1000 R.P.M.
13	1600003	2	Belt, 540 R.P.M. <i>B-67</i>
14	4500003	2	Belly Pan Auger
15	1900005	2	Bearing
16	1000027	1	Sprocket

Ref.	Part No.	Qty.	Description
17	1000011	1	Idler Sprocket
18	1000026	2	Sprocket
19	2000016	1	Wood Block Tightener
20	1100025	1	Chain
21	3600012	1	U Joint Yoke
22	3600013	2	U Joint
23	3600014	1	Power Shaft Yoke
24	3600015	1	Power Shaft
25	3600016	1	Power Shaft Yoke
26	2400001	1	Input Shaft
27	1500004	1	Hub
28	1600003	2	Belt, 1000 R.P.M. <i>77</i> Belt, 540 R.P.M. <i>U-68</i>
29	1400008	1	Pulley
30	1800005	2	Bearing
31	1400007	1	Pulley
32	1500002	1	Hub
33	1600007	6	Belt, 1000 R.P.M. <i>77</i>
34	1600008	6	Belt, 540 R.P.M. <i>U-68</i>
35	1300004	1	Double Idler
36	4500004	1	Bull Wheel Cradle
37	4500002	1	Hinge
38	4800025	1	Support Pin
39	4200001	1	Hydraulic Pump
40	1000028	1	Sprocket
41	1000029	1	Sprocket
42	1100026	1	Chain
43	2400002	1	Shaft 14" x 1"
44	1800003	2	Bearing
45	1400003	1	Pulley
46	1500003	1	Hub
47	1600006	1	Belt <i>4/2</i>
48	1500002	1	Hub
49	1400006	1	Pulley
50	4500005	1	Governer Bracket
51	1600005	1	Belt <i>2-77</i>
52	4300001	1	Hydraulic Governer
53	1400004	1	Pulley, 1000 R.P.M.
54	1500006	1	Hub, 1000 R.P.M.
55	1400005	1	Pulley, 540 R.P.M.
56	1500005	1	Hub, 540 R.P.M.
57	1800006	1	Bearing
58	3600017	1	Tractor Yoke, 1000 R.P.M.
	3600018	1	Tractor Yoke, 540 R.P.M.
59	4500031	1	Conveyor Belt Tightener Bracket
60	1100030	1	3/16 Chain-proof Coil

6 Cylinder



Ref.	Part No.	Qty.	Description
1	4500034	1	Cylinder Complete
2	1800006	2	Bearing
3	2400004	1	Cylinder Shaft
4	4500026 22	1	Front Cylinder Nut
5	4500022 36	1	Rear Cylinder Nut
6	4600019	1	Moveable Cylinder Plate
7	4500023	1	1/2" Front Cylinder Plate
8	4500004	1	1/2" Rear Cylinder Plate
9		1	Shaft Spacer
10	4500020	14	1/4" Cylinder Plate
11	5300001	8	Hammer Rod
12	4500017	8	Hammer Spacers
13	5200001	60	Reg. Hammers
13	5200002	60	Supreme Hammers, Special Order
14	4500025	2	Slug Bar
15	5400001	1	1/4" Hole
	5400002	1	3/8" Hole Screen
	5400003	1	1/2" Hole
	5400004	1	5/8" Hole
	5400005	1	3/4" Hole
	5400006	1	1" Hole
	5400007	1	2" Hole Note: 2" & 3" standard
	5400008	1	3" Hole on machine



Ref.	Part No.	Qty.	Description
1	4500032	1	Conveyor Frame Bar
2	4500030	1	Conveyor Side Shield - Right Hand
3	4500027	1	Conveyor Side Shield - Left Hand
4	4500029	1	Drive Roller
5	4500028	1	Idler Roller
6	2100004	4	Flangette
7	2000003	2	Bearing
8	2100002	4	Flangette
9	2000002	2	Bearing
10	1300005	1	Pulley
11	1000031	1	Sprocket
12	2400006	1	Shaft
13	1800007	2	Bearing
14	1000030	1	Sprocket
15	1100027	1	Chain
16	1700001	1	Conveyor Belt
17	4500031	4	Conveyor Belt Tightener Bracket

Haybuster H-Series Tub Grinder Hydraulic Governor Operation, Setting & Lubrication

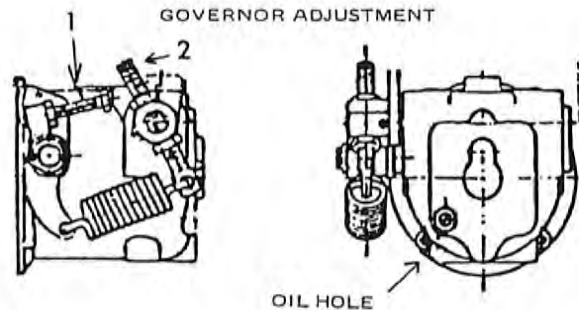
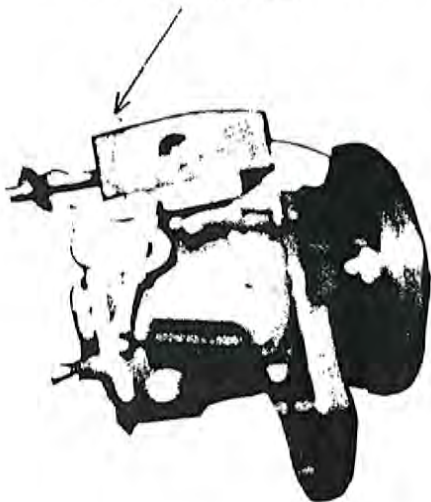
Operation

All Haybuster H-Series tub grinders are equipped with a hydraulic governor. This hydraulic governor senses the RPM speed of the tractor. When the RPMs drop below the PTO mark on the tractor and the governor will automatically stop the tub from rotating. This will allow the grinder to clear itself and the tractor RPM to increase. Again when the tractor RPM reaches the PTO speed the tub will start.

NOTE: All governors on the H-Series grinders are pre set at the factory for 1800 RPM rotor speed. With this setting, when the PTO speed drops to 1800 RPM the tub will stop. Tractor RPM should be run 200 over the PTO mark on the tach for governor to work properly.

Maximum horsepower is at or just above the PTO mark on the tach. If the governor on the H-Series grinder is set properly to correspond with your tractor's PTO speed the tub will start turning when tach indicator goes above the PTO mark.

GOVERNOR HYDRAULIC VALVE
CONTROL BLOCK



Setting

There are two adjustment screws on the governor labeled below as 1 and 2. Screw 1 adjusts the speed at which the governor reacts. Turn the screw in to increase speed, out to decrease the speed. Move the screw out one turn if the tub does not rotate when tractor goes 200 RPM over the PTO mark. If the tub rotates before the tractor reaches the PTO mark move the screw in one turn. Screw 2 is for the sensitivity of the governor. If the governor seems to surge, the setting is too sensitive. The screw should be adjusted downward to decrease the sensitivity. Move screw 2 upward to increase sensitivity.

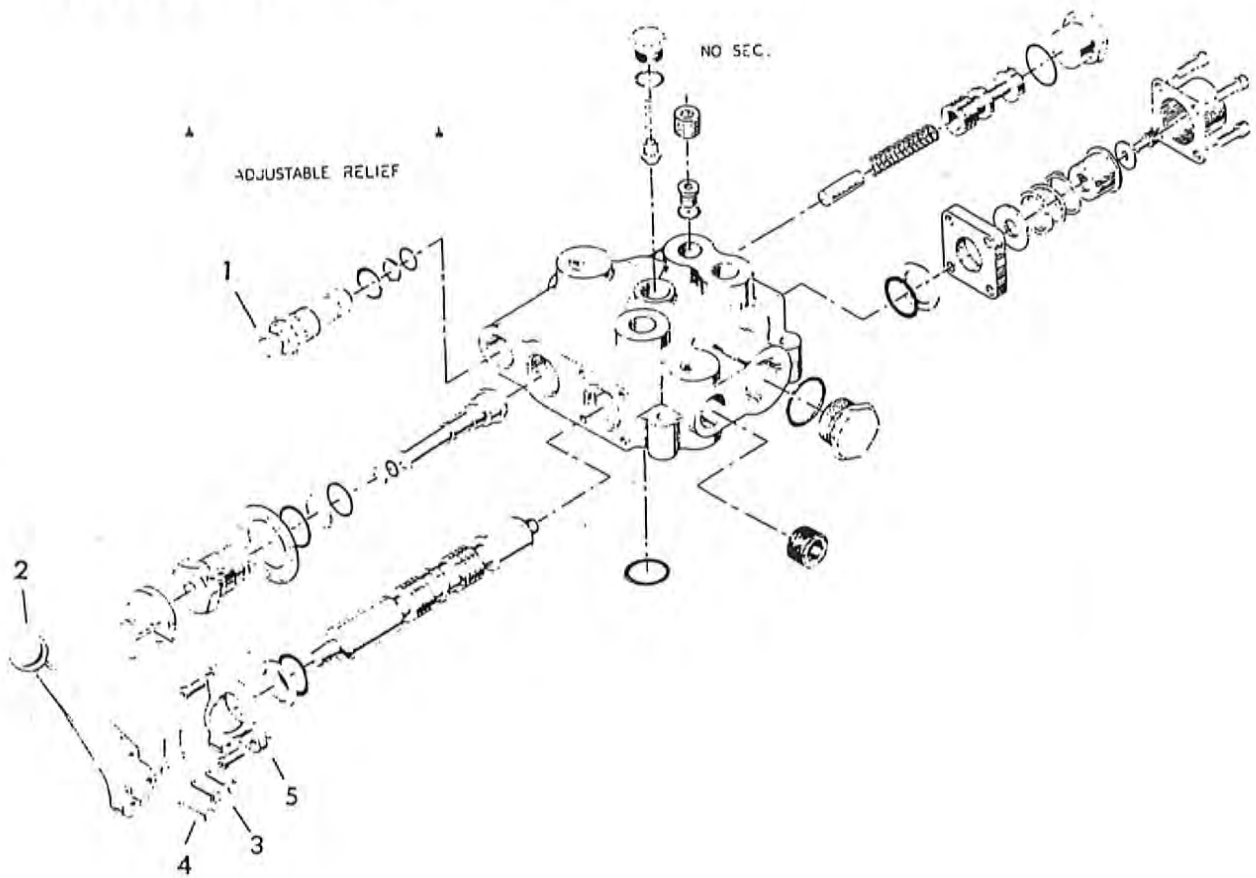
Lubrication

For the governor to operate properly, the oil level must be maintained at all times. Check oil level in governor every 10 hours of operation, replace every 500 hours.

Remove cap labeled oil level to check for proper filling. If it is full, oil should run out of the check hole. If it does not run out, remove oil fill cap and fill until it begins running out the check hole. Type 10W30 Detergent Oil recommended.

NOTE: Be sure to maintain the proper oil level in the main reservoir tank. Units are shipped from factory low in oil to prevent spillage when in shipment. Approximately 7 gallons of a good grade hydraulic oil should be added before operation.

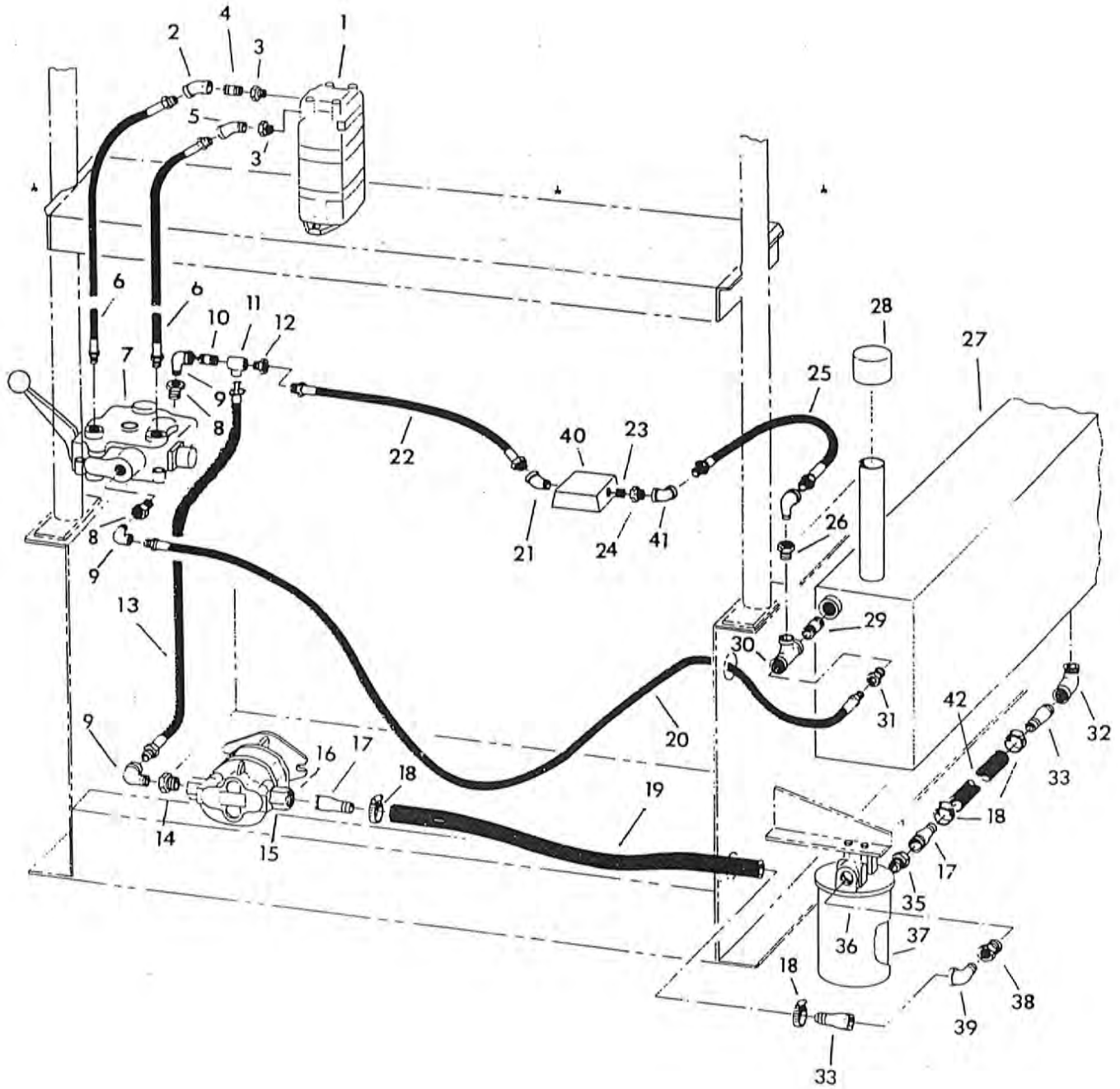
MODEL BC DIRECTIONAL CONTROL VALVE



Hydraulics Group

Ref.	Part No.	Qty.	Description
1	4000017	1	Adj. Relief Valve
2	4000001	1	Valve Handle
3	4000002	1	Connector Links Handle
4	4000003	1	Pin Handle w/Key
5	4000004	1	Handle Bracket

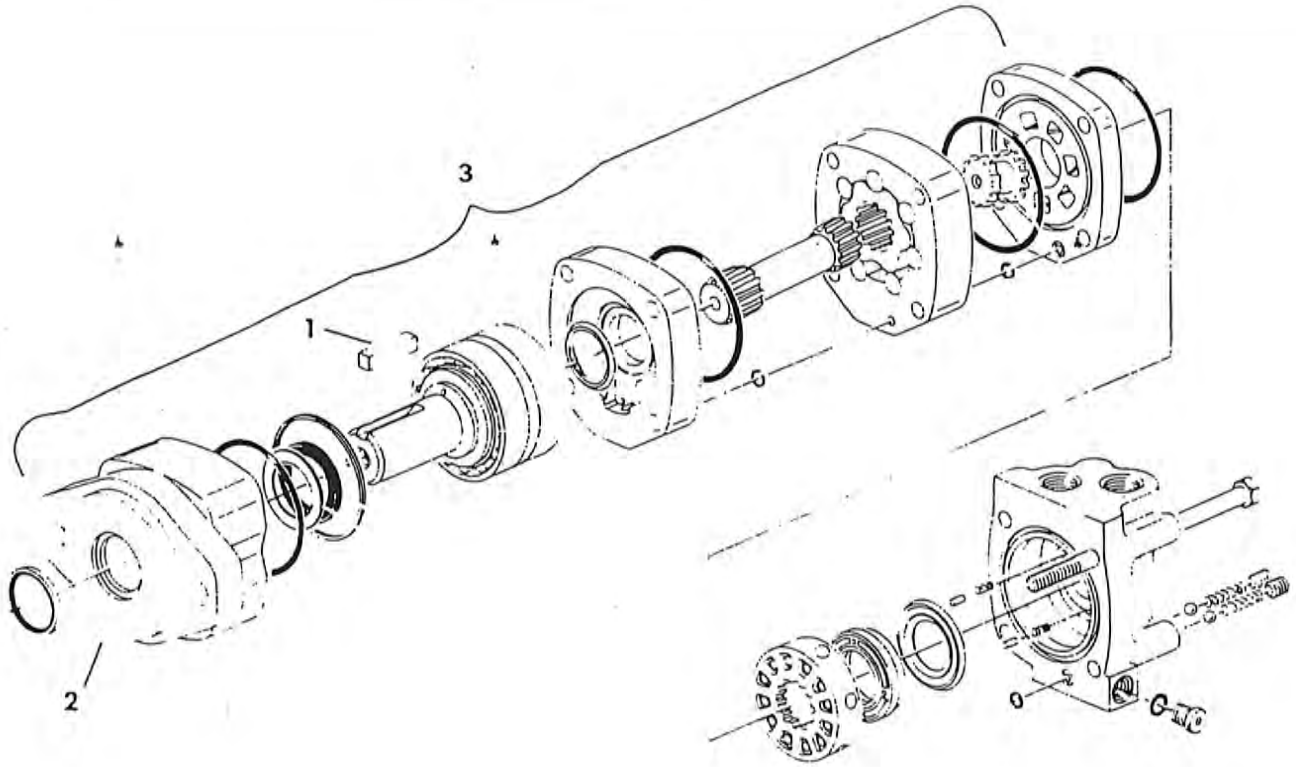
10 Hydraulics



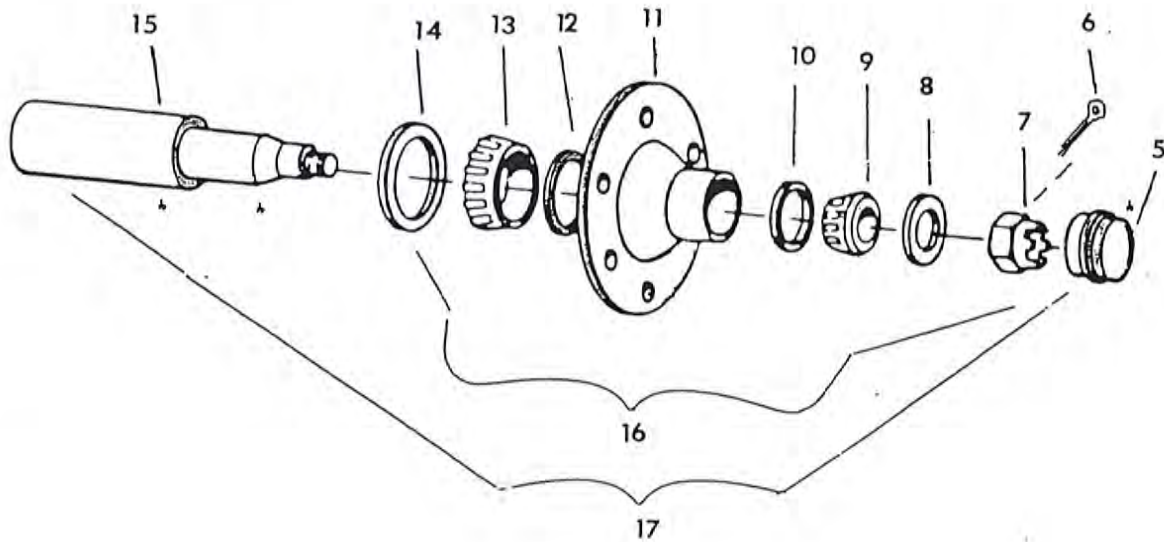
Hydraulics Group

Ref.	Part No.	Qty.	Description
1	3900005	1	Orbit Motor
2	3800004	1	45° 1/2" Elbow
3	3800026	2	Female Pipe Adapter
4	3800005	1	1/2" Nipple
5	3800006	1	45° Street Ell
6	3700014	2	1/2" Plastic 26" Hydraulic Hose
7	4000016	1	Directional Control Hydraulic Valve
8	3800010	1	3/4" to 1/2" Bushing
9	3800008	5	90° 1/2" Street Ell
10	3800005	1	1/2" Steel Nipple
11	3800009	1	1/2" Tee
12	3800007	1	1/2" to 3/8" Adapter
13	3700017	1	24 Hydraulic Hose, 1/2"
14	3800011	1	3/4" Pipe Adapter
15	3800012	1	1" Female Pipe Adapter
16	3800025		
17	3800023	2	Pipe to Hose Adapter
18	3800024	4	1" Hose Clamp
19	3700019	1	1" I.D. Hose 28"
20	3700016	1	54" Hydraulic Hose 1/2"
21	3800013	1	3/8" 45° Street Ell
22	3700015	1	27" Hydraulic Hose. 3/8
23	3800014	1	3/8 Pipe Nipple
24	3800019	1	3/8 to 1/2 Bushing
	3800008	1	1/2" 90° Elbow
25	3700018	1	18" Hydraulic Hose 1/2"
26	3800020	1	1/2 to 3/4 Bushing
27	4560007	1	Hydraulic Tank
28	3800027	1	Hydraulic Tank Cap
29	3800015	1	3/4" x 2" Nipple
30	3800017	1	3/4" Tee
31	3800016	1	3/4" to 1/2" Bushing
32	3800021	1	1" 90° Street Ell
33	3800023	1	Pipe to Hose Adapter
34	3700020	1	1" I.D. Hose 35"
35	3800022	1	1-1/4" x 1" Bushing
36	4400001	1	Filter w/Base
37	4400002	1	Filter Element
38	3800022	1	1-1/4" to 1" Pipe Bushing
39	3800021	1	1" 90° Street Ell
40	4300001	1	Hydraulic Governer
41	3800017	1	90° Elbow, 1/2"
42	3800021	1	1" Hose

12 Hydraulics



Ref.	Part No.	Qty.	Description
1	6200004	1	5/16 x 1-1/2 Key
2	3900005	1	Complete Orbit Motor
3	3200005	1	Seal Kit Complete



Running Gear Parts

Ref.	Part No.	Qty.	Description
1	2900012	5	Wheel Bolts, Per Hub
2	2800006	2	Wheel, 15", Not Shown
3	2600005	2	Tire, Not Shown
4	2700003	2	Tube, Not Shown
5	2900013	1	Cup
6	3000005	1	Key, Cotter
7	3000006	1	Nut, spindle
8	2900019	1	Washer, 7/8 flat
9	2900018	1	Cone, outer
10	2900017	1	Cup, outer
11	2900011	1	Hub
12	2900016	1	Cup, inner
13	2900015	1	Cone, inner
14	2900014	1	Grease Seal
15	3000007	1	Spindle, less nut & key
16	2900011	1	Hub Complete
17	3000008	1	Spindle Complete

