

HAYBUSTER

**BUNK
FEEDER**

**BALE BUSTER
OPERATORS MANUAL
PARTS BOOK**

Supplement

SAFETY INSTRUCTIONS

The safety of the operator is of great importance to Haybuster Manufacturing Company. We have provided decals, shields and other safety features to aid you in using your machine safely. In addition, we ask you to be a careful operator who will properly use and service your Haybuster equipment.

WARNING: BEFORE ATTEMPTING TO OPERATE THIS MACHINE, CAREFULLY READ ALL INSTRUCTIONS CONTAINED WITHIN THIS MANUAL. ALSO THE INSTRUCTION MANUAL PROVIDED WITH YOUR TRACTOR.

BEFORE OPERATING

1. Read and follow all instructions contained in:
 - a. this 256 Bale Buster operator's manual
 - b. tractor operator's manual
 - c. decals placed on the Bale Buster.

NOTE: Additional copies of the above mentioned materials can be obtained from your dealer.

2. Allow only responsible, properly instructed individuals to operate your machine. Carefully supervise inexperienced operators.
3. Use a tractor which meets the tractor requirements contained within this manual. Additional weights may be necessary.
4. Make sure the machine is in good operating condition and that all protective shields are in place and in proper working order. Replace damaged shields before operating.
5. Be sure all bystanders and other workers are clear before starting tractor and bale buster.
6. Make no modifications to the machine unless specifically recommended or requested by Haybuster Manufacturing Company.

7. Check periodically for breaks or unusual wear and make any necessary repairs.
8. Be sure the unit is securely attached to a tractor of equal or greater weight than the bale buster and bale.

DURING OPERATION

1. Enforce the following safety precautions and others contained in this manual to prevent serious personal injury or death due to accidental contact with rotating flails.
 - a. Everyone must be kept clear of work area except operator seated at tractor controls.
 - b. Never work on or near bale buster unless engine is shut off and flails stopped.
 - c. Disengage PTO and make sure everyone is clear of machine before starting engine.

SAFETY INSTRUCTIONS

DURING OPERATION (Cont.)

2. Enforce the following safety precautions and others contained in this manual to prevent injury due to accidental contact with flying material thrown by flails.
 - a. Keep bystanders away from work area.
 - b. Keep shields in place and in good condition.
 - c. Watch out for and avoid any object that might interfere with the proper operation of the machine.
 - d. Replace missing or damaged flails.
3. Power takeoff shafts must be locked in place with protective PTO shields in place.
4. Keep hands, feet and clothing away from power driven parts.
5. Never leave tractor controls unattended while the engine is running.
6. Never allow riders on the machine at any time.
7. Be sure the tractor operator is the only person riding on the tractor.
8. Exercise extreme care when operating on rough and/or steep terrain. Avoid operation on terrain which is excessively rough or steep.
9. Make sure your tractor PTO speed never exceeds 1000 rpm.

DURING SERVICE & MAINTENANCE

1. Before working on or near the bale buster for any reason, including servicing, cleaning, unplugging or inspecting machine, use normal shut-down procedures unless instructed differently in this manual.

2. Check periodically and tighten any loose bolts or connections.
3. Use only replacement parts that are recommended by Haybuster Manufacturing Company.
4. If it is necessary to operate the tractor engine indoors for more than a few seconds, be sure to provide enough ventilation to remove the tractor exhaust fumes.
5. Hydraulic fluid escaping under pressure can be invisible and have enough force to penetrate the skin. When searching for a suspected leak, use a piece of wood or cardboard rather than your hands. If injured, seek medical attention immediately to prevent serious infection or reaction.
6. Relieve all pressure in the hydraulic system before disconnecting the hose or performing other work on the system. Make sure all connections are tight and the hose is in good condition before applying pressure to the system.

DURING TRANSPORT

1. Use good judgment and drive slowly over rough or uneven terrain.
2. Be sure tractor brakes are properly adjusted and foot pedals locked together.
3. Check your state laws regarding the use of lights, slow moving vehicle sign, safety chain and other possible requirements. During transport, it is recommended that the forks be pivoted over the tub and the deflector pivoted into the tub to insure 8' towing width.

SAFETY INSTRUCTIONS

WARNING: FAILURE TO COMPLY WITH THE ABOVE SAFETY INSTRUCTIONS OR THOSE THAT FOLLOW WITHIN THIS MANUAL COULD RESULT IN SEVERE PERSONAL INJURY OR DEATH.

THIS MACHINE IS NOT TO BE USED FOR ANY PURPOSE OTHER THAN THAT FOR WHICH IT IS INTENDED AS EXPLAINED IN THE OPERATOR'S MANUAL, ADVERTISING LITERATURE OR OTHER HAYBUSTER WRITTEN MATERIAL PERTAINING TO THE 256 BALE BUSTER.

SAFETY DECALS

The safety decals located on your machine contain important and useful information that will help you operate your equipment safely.

To assure that all decals remain in place and in good condition, follow the instructions below:

1. Keep decals clean. Use soap and water - not mineral spirits, adhesive cleaners and other similar cleaners that will damage the decal.
2. Replace all damaged or missing decals. When attaching decals, surface temperature of the machine must be at least 40°F (5°C). The surface must also be clean and dry.
3. When replacing a machine component to which a decal is attached, be sure to also replace the decal.
4. Replacement decals can be purchased from your Haybuster dealer.

1
2
3
4
5
6
7
8
9
10
11
12
13
14
15
16
17
18
19
20
21
22
23
24
25
26
27
28
29
30
31
32
33
34
35
36
37
38
39
40
41
42
43
44
45
46
47
48
49
50
51
52
53
54
55
56
57
58
59
60
61
62
63
64
65
66
67
68
69
70
71
72
73
74
75
76
77
78
79
80
81
82
83
84
85
86
87
88
89
90
91
92
93
94
95
96
97
98
99
100

BALE BUSTER BUNK FEEDER
OPERATING INSTRUCTIONS

Before Operating: Become familiar with the operating instructions in the Bale Buster Operations Manual and this supplement.

WARNING: After making all necessary hook-ups to tractor, be sure rotor chamber is clear of any solid objects. Make sure any bystanders are away from discharge before engaging P.T.O. Flying objects can cause serious injury or even death. Stay clear of discharge side of machine unless operator has stopped tractor engine and machine has stopped rotating. Failure to follow these instructions may result in severe personal injury or death.

Test run the Bale Buster and Bunk Feeder Attachment before loading. To prevent damaging the Bale Buster and attachment always engage P.T.O. with engine idling. Look for excessive vibration, loose or broken parts. Make any necessary repairs before attempting to do any bale feeding.

The Bale Buster with Bunk Feeder can not discharge the ground material as fast as a standard Bale Buster. Due to this fact the feed rate will have to be gauged by how the fan unloads. Feeding the bale too fast (overloading the fan) will eventually plug the Bunk Feeder.

Bale Feeding: Operating tractor at maximum RPM (1000+) allows the machine to do a better job of chopping forage, reduces twine build up and allows fan to discharge more efficiently. Be sure to have rotor up to maximum R.P.M. before putting conveyor in motion.

Bedding - Mulching: Can be accomplished by first folding the spout assembly back on the spout rest. This allows the chopped material to discharge directly from the fan. The distance the material is thrown and the coverage may be varied by rotating the fan to obtain the desired results.

Bunk Feeding: This is done with the spout latched in its working position. On the end of the spout is a deflector. This deflector can be adjusted up or down to help regulate the force the discharged material has leaving the spout. When bunk feeding, raise the spout above the bunk and use the deflector to direct the material downward. This will reduce the force helping to prevent the fan from blowing material out of the bunk.

Windrowing: With the spout latched in the working position, the deflector can be raised and the fan rotated to place the material in a row as desired.

The Bunk Feeder should be periodically inspected for twine build up. Twine build up should be kept to a minimum to reduce the fire hazard.

Check Bunk Feeder drive belt tension. New belts will stretch and adjustment of the tension idler may be necessary. Adjust the spring tension eye bolt to stretch the spring to a overall length of inches.

Lubricaiton: The Bunk Feeder has (4) four zerks to lubricate. Lubricate with a grease gun every (15) fifteen hours of operating time. Use a good grade of lubricant. Also, periodically apply grease to the fan pivot tube and retaining ring. This will help prevent binding. CAUTION: Always shut off the tractor before adjusting or lubricating.

Transportation: Follow the transportation procedure in your Bale Buster Operations Manual. In addition to that procedure, fold the spout assembly back on the spout rest and rotate the fan until it no longer protrudes beyond the conveyor. Reverse procedure to return to working position.



HAYBUSTER

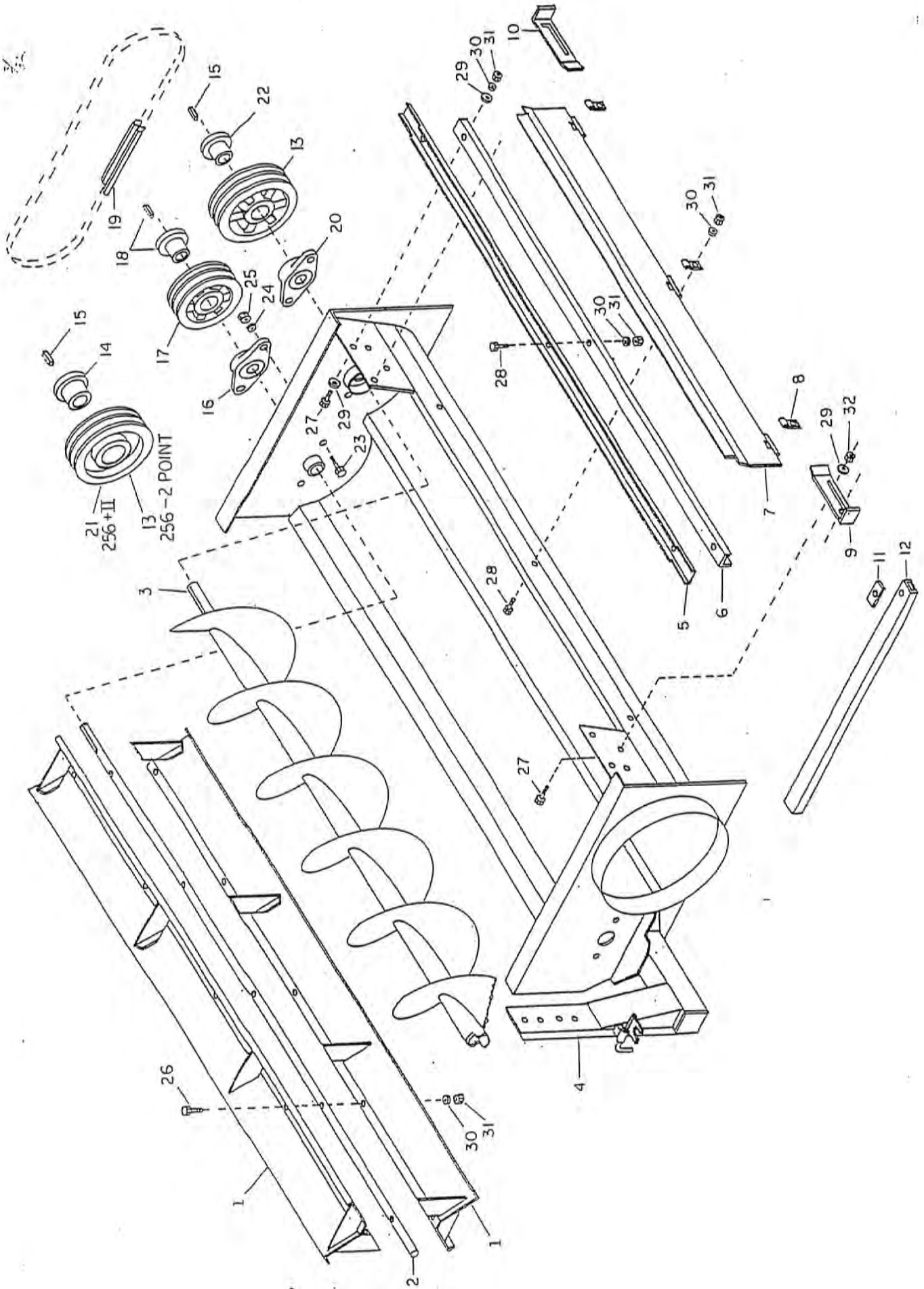
**BUNK
FEEDER**

BALE BUSTER

PARTS BOOK

Supplement



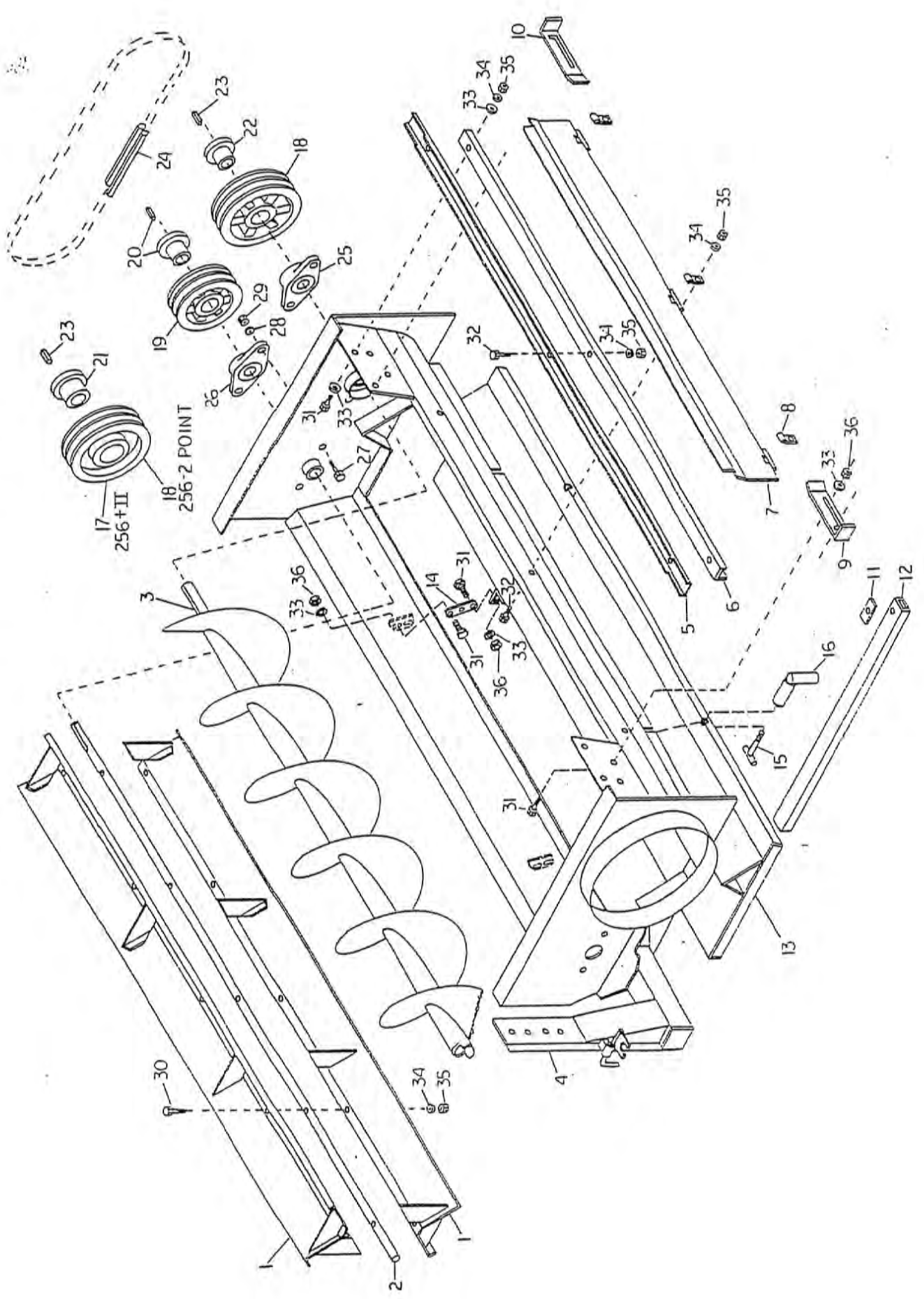


PAN ASSEMBLY-WITHOUT CLEANOUT DOOR

<u>ITEM</u>	<u>PART NUMBER</u>	<u>QTY</u>	<u>DESCRIPTION</u>
1	8100258	2	BEATER HALF WELDMENT
2	8200010	1	BEAER SHAFT 1" X 78 1/2"
3	8100236	1	AUGER
4	8100237	6	PAN
5	8100238	1	SPACER CHANNEL
6	8100239	1	CHANNEL
7	8100240	1	HATCH
8	8100241	3	HATCH HINGE
9	8100242	1	HATCH LATCH FRONT
10	8100243	1	HATCH LATCH REAR
11	8100244	2	HOLD DOWN CLIP
12	8100245	2	TUBULAR SPACERS
13	1400040	SEE NOTE	2TB74 PULLEY
14	1500023	1	Q1 1 3/4" HUB
15	6200007	2	KEY 3/8" SQ. X 1 1/2"
16	1900001	2	BRGING 1 1/4" 2 HOLE CAST FLANGE
17	1400041	1	2BK80H PULLEY
18	1500001	1	H 1 1/4" HUB WITH KEY
19	1600052	2	BB107 BELTS HEX
20	1900008	1	BRGING 1 1/2" 2 HOLE CAST FALNGE
21	1400042	SEE NOTE	2TB86 PULLEY
22	1500024	1	Q 1 1/2" HUB
23	4800082	6	1/2" X 1 1/2" BOLT
24	5000006	6	1/2" LOCK WASHER
25	4900001	6	1/2" NUT
26	4800146	5	3/8" X 2" BOLT
27	4800098	8	3/8" X 1 1/4" BOLT
28	4800003	6	3/8" X 1" BOLT
29	5000001	12	3/8" FLAT WASHER
30	5000019	14	3/8" LOCK WASHER
31	4900002	14	3/8" NUTS
32	4900023	4	3/8" LOCK NUTS

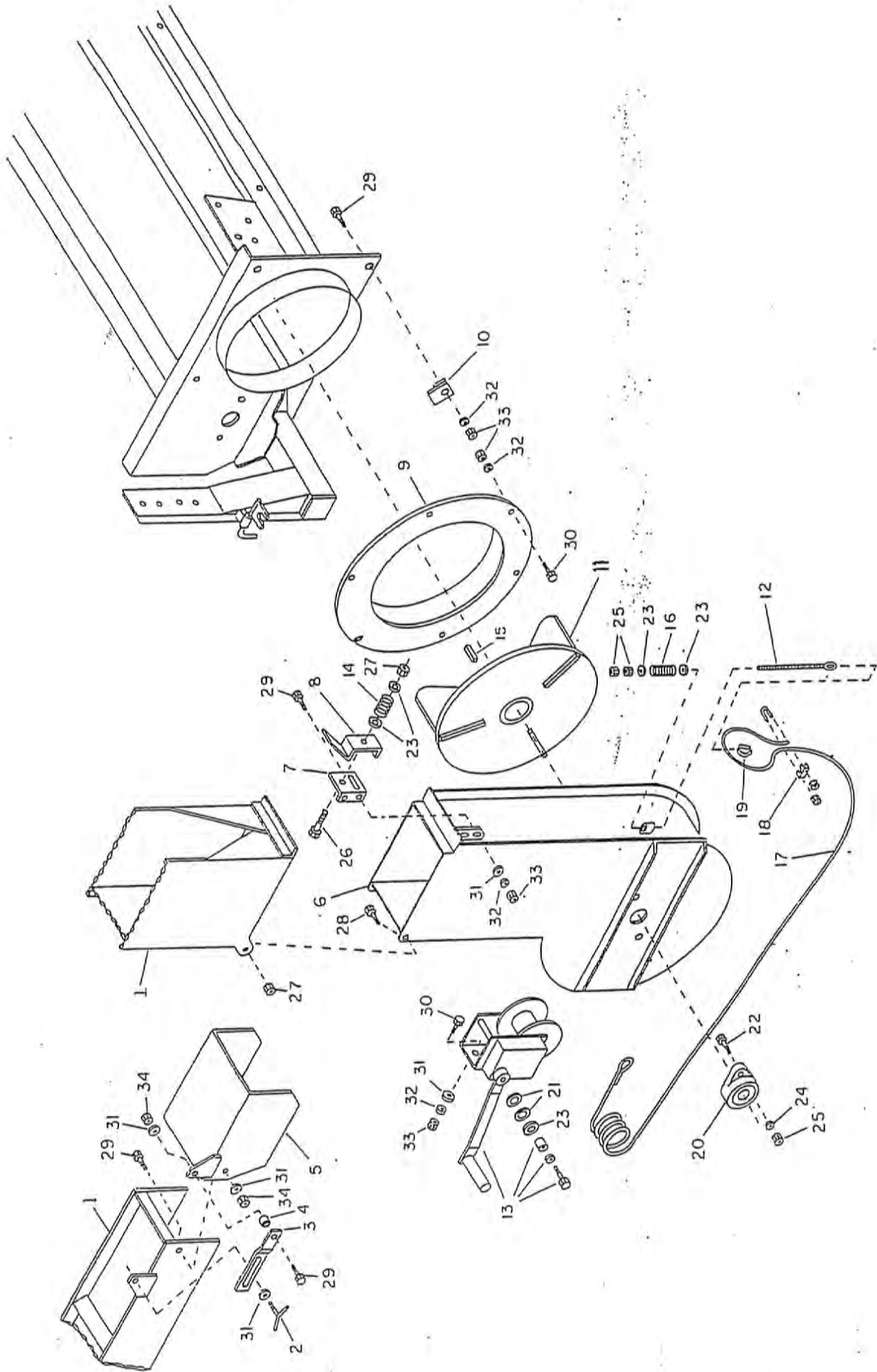
NOTE:

13	1400040	2	256-2 POINT HITCH
		1	256+II TRAILER MODEL
21	1400042	1	256+II TRAILER MODEL
			NOT USED ON 256-2 POINT HITCH



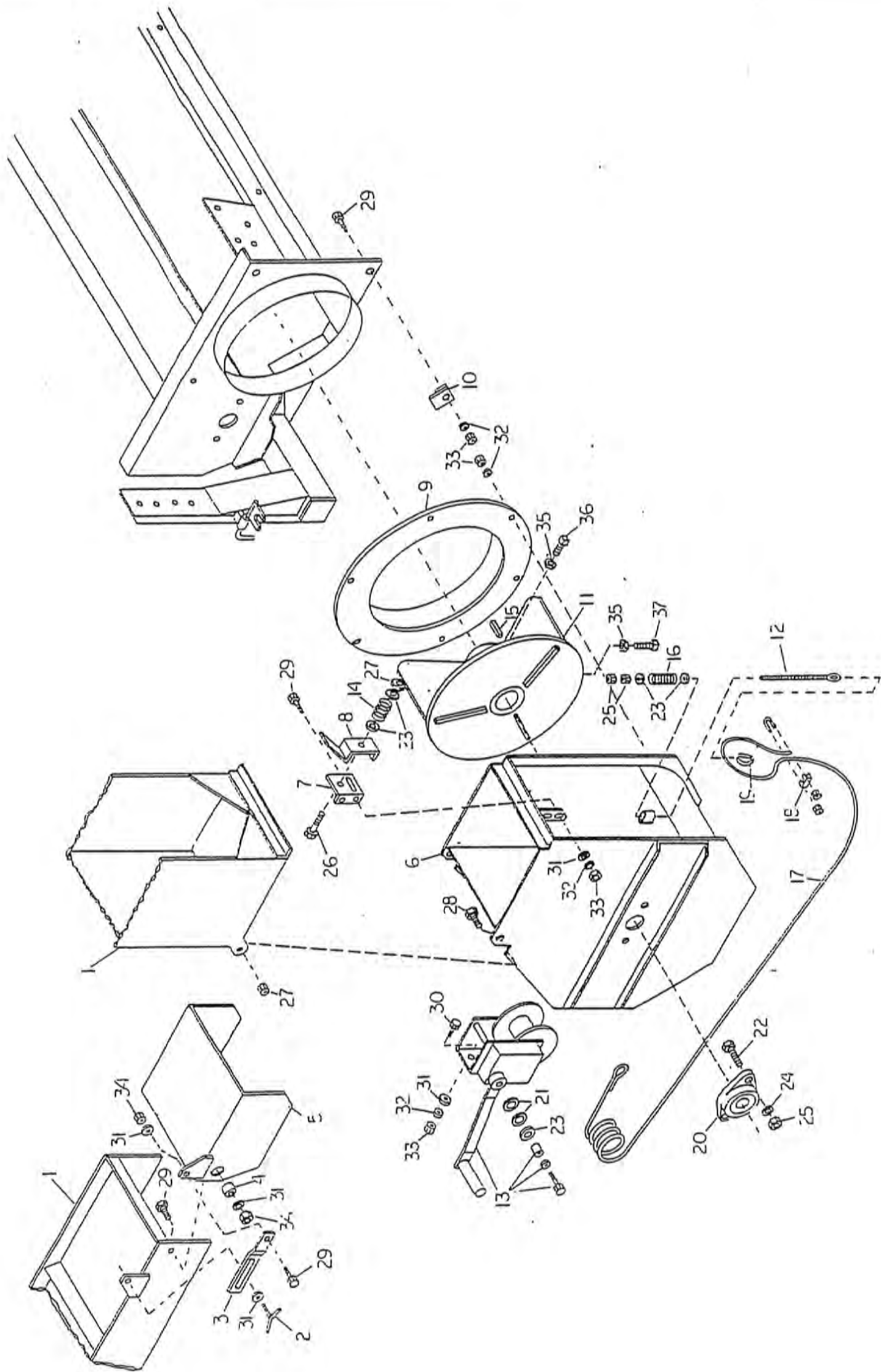
PAN ASSEMBLY WITH CLEAN OUT DOOR

<u>ITEM</u>	<u>PART NUMBER</u>	<u>QTY</u>	<u>DESCRIPTION</u>
1	8100258	2	BEATER HALF WELDMENT
2	8200010	1	BEATER SHAFT 1" X 78 1/2"
3	8100366	1	AUGER
4	8100367	1	PAN
5	8100238	1	SPACER CHANNEL
6	8100239	1	CHANNEL
7	8100240	1	HATCH
8	8100241	3	HATCH HINGE
9	8100242	1	HATCH LATCH FRONT
10	8100243	1	HATCH LATCH REAR
11	8100244	2	HOLD DOWN CLIPS
12	8100245	2	TUBLAR SPACERS
13	8100368	1	CLEAN OUT DOOR
14	8100369	2	CLEAN OUT DOOR MOUNT
15	8100370	2	T-BOLT
16	8100371	2	LOCKING HANDLE
17	1400042	1	2TB86 PULLEY (256+II)
18	1400040	1	2TB74 PULLEY (256+II)
	1400040	2	2TB74 PULLEY (256+2 POINT)
19	1400041	1	2BK80H PULLEY
20	1500001	1	H 1 1/4" HUB WITH KEY
21	1500023	1	Q1 1 3/4" HUB
22	1500024	1	Q 1 1/2" HUB
23	6200007	2	KEY 3/8" SQ. X 1 1/2"
24	1600052	2	BB107 BELT HEX
25	1900008	1	BEARING 1 1/2" 2 HOLE CAST FLANGE
26	1900001	2	BEARING 1 1/4" 2 HOLE CAST FLANGE
27	4800082	6	1/2" X 1 1/2" BOLT
28	5000006	6	1/2" LOCK WASHER
29	4900001	6	1/2" NUT
30	4800146	5	3/8" X 2" BOLT
31	4800098	14	3/8" X 1 1/4" BOLT
32	4800003	6	3/8" X 1" BOLT
33	5000001	18	3/8" FLAT WASHER
34	5000019	14	3/8" LOCK WASHER
35	4900002	14	3/8" NUT
36	4900023	10	3/8" LOCK NUT



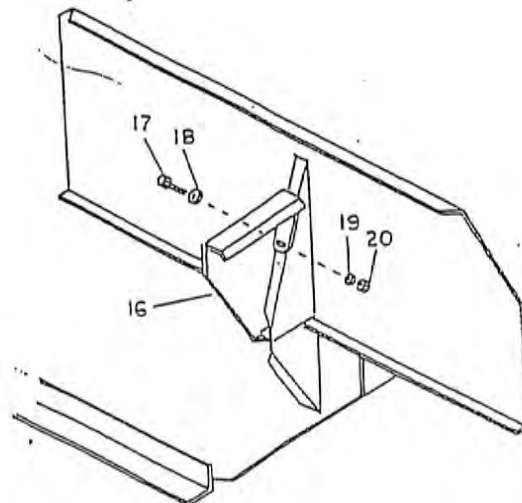
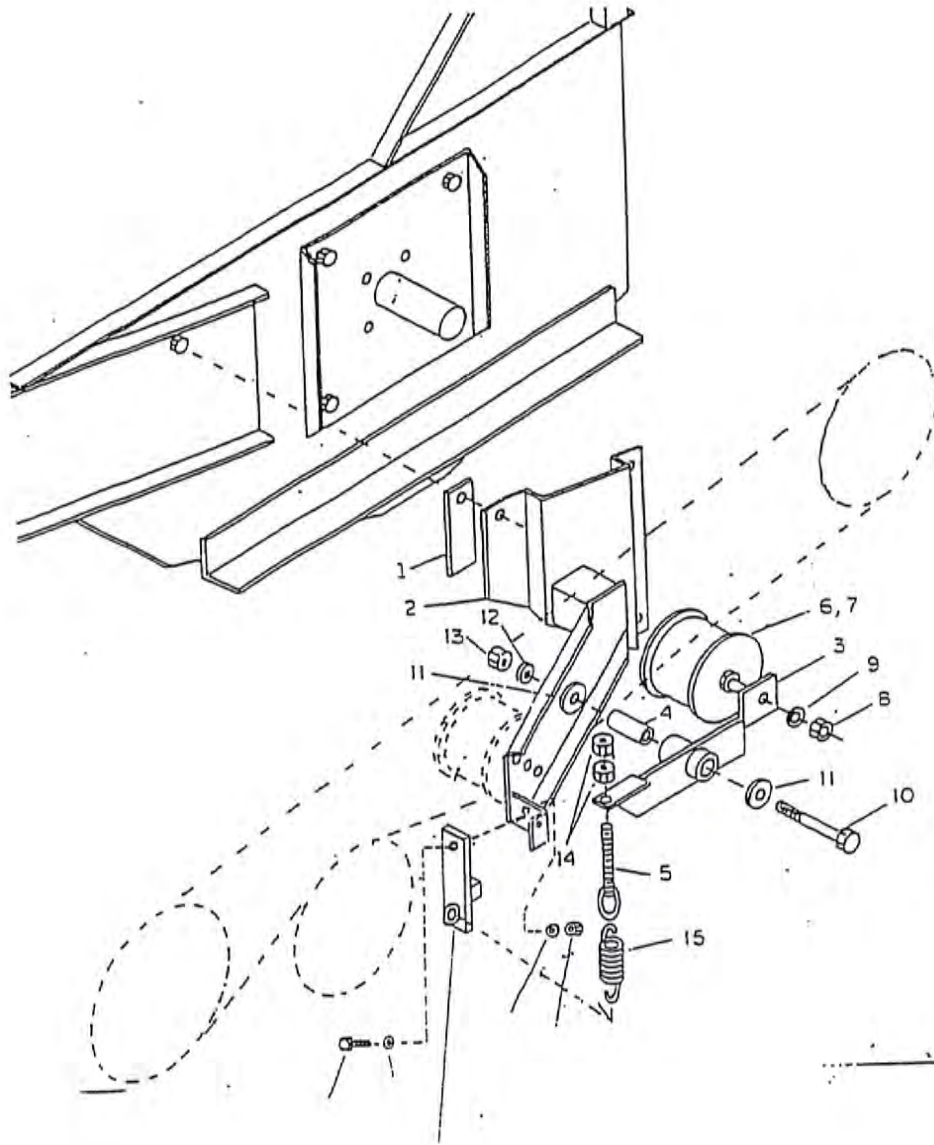
FAN ASSEMBLY - 9 INCH

<u>ITEM</u>	<u>PART NUMBER</u>	<u>QTY</u>	<u>DESCRIPTION</u>
1	8100246	1	SPOUT
2	8100247	1	SPOUT ADJ. BOLT
3	8100248	1	SPOUT ADJ. STRAP
4	8100257	2	DEFLECTOR BUSHING
5	8100249	1	DEFLECTOR
6	8100250	1	FAN HOUSING
7	8100251	1	LATCH MOUNT
8	8100252	1	LATCH
9	8100253	1	FAN PIVOT RING
10	8100254	4	RING RETAINER
11	8100255	1	FAN ROTOR
12	8100256	1	CABLE ADJ. BOLT
13	5800008	1	WINCH
14	6100002	1	SPRING
15	6200007	1	KEY 3/8" SQ. X 1 1/2"
16	6100027	1	SPRING
17	5600016	1	1/4" CABLE 90"
18	4800027	2	1/4" CABLE CLAMP
19	7500121	2	1/4" CABLE THIMBLE
20	1900008	1	BRGING 1 1/2" 2 HOLE CAST FLANGE
21	5000062	1	7/8" MACHINE BUSHING 14 GA.
22	4800082	2	1/2" X 1 1/2" BOLT
23	5000004	5	1/2" FLAT WASHER
24	5000006	2	1/2" LOCK WASHER
25	4900001	4	1/2" NUT
26	4800068	1	1/2" X 3" BOLT
27	4900014	3	1/2" LOCK NUT
28	4800018	2	1/2" X 1/4" BOLT
29	4800098	9	3/8" X 1 1/4" BOLT
30	4800003	8	3/8" X 1" BOLT
31	5100001	8	3/8" FLAT WASHER
32	5000019	14	3/8" LOCK WASHER
33	4900002	14	3/8" NUT
34	4900023	3	3/8" LOCK NUT



FAN ASSEMBLY - 12 INCH

<u>ITEM</u>	<u>PART NUMBER</u>	<u>QTY</u>	<u>DESCRIPTION</u>
1	8100362	1	SPOUT
2	8100247	1	SPOUT ADJ. BOLT
3	8100248	1	SPOUT ADJ. STRAP
4	8100257	2	DEFLECTOR BUSHING
5	8100363	1	DEFLECTOR
6	8100364	1	FAN HOUSING
7	8100251	1	LATCH MOUNT
8	8100252	1	LATCH
9	8100253	1	FAN PIVOT RING
10	8100254	4	RING RETAINER
11	8100365	1	FAN ROTOR
12	8100256	1	CABLE ADJ. BOLT
13	5800008	1	WINCH
14	6100002	1	SPRING
15	6100007	1	KEY 3/8" SQ. X 1 1/2"
16	6100027	1	SPRING
17	5600016	1	1/4" CABLE 90"
18	4800027	2	1/4" CABLE CLAMP
19	7500121	2	1/4" CABLE THIMBLE
20	1900008	1	BRGING 1 1/2" 2 HOLE CAST FLANGE
21	5000062	1	7/8" MACHINE BUSHING 14 GA.
22	4800082	2	1/2" X 1 1/2" BOLT
23	5000004	5	1/2" FLAT WASHER
24	5000006	2	1/2" LOCK WASHER
25	4900001	4	1/2" NUT
26	4800068	1	1/2" X 3" BOLT
27	4900014	3	1/2" LOCK NUT
28	4800018	2	1/2" X 1 1/4" BOLT
29	4800098	9	3/8" X 1 1/4" BOLT
30	4800003	2	3/8" X 1" BOLT
31	5000001	8	3/8" FLAT WASHER
32	5000019	14	3/8" LOCK WASHER
33	4900002	14	3/8" NUT
34	4900023	3	3/8" LOCK NUT
35	4900026	2	3/8" JAM NUT
36	4800307	1	3/8" X 1" SQ. HD. SET SCREW
37	4800238	1	3/8" X 1 1/4" SQ. HD. SET SCREW



IDLER ASSEMBLY

<u>ITEM</u>	<u>PART NUMBER</u>	<u>QTY</u>	<u>DESCRIPTION</u>
1	8100227	1	IDLER MOUNT SPACER (2 POINT HITCH ONLY)
2	8100228	1	IDLER MOUNT
3	8100229	1	IDLER ARM
4	8100230	1	IDLER BUSHING
5	8100231	1	IDLER EYE BOLT
6	1400039	2	IDLER 4D3FP
7	1500028	2	HUB IDP1-5/8" BEARING (WITH 5/8" JAM NUTS)
8	4900047	4	5/8" JAM NUT
9	5000020	2	5/8" STAR WASHER
10	4800100	1	5/8" x 4" BOLT
11	5000002	2	5/8" FLAT WASHER
12	5000003	1	5/8" LOCK WASHER
13	4900005	1	5/8" NUT
14	4900001	2	1/2" NUT
15	6100036	1	SPRING

SPOUT REST

16	8100232	1	SPOUT REST
17	4800003	1	3/8" x 1" BOLT
18	5000001	1	3/8" FLAT WASHER
19	5000019	1	3/8" LOCK WASHER
20	4900002	1	3/8" NUT

DRIVE SHIELD (256+II TRAILER MODEL)

<u>ITEM</u>	<u>PART NUMBER</u>	<u>QTY</u>	<u>DESCRIPTION</u>
1	8100220	1	BELT SHIELD
2	8100221	2	BELT SHIELD MOUNTING STRAPS
3	4800077	4	1/2" x 5-1/2" BOLTS
4	5000006	4	1/2" LOCK WASHERS
5	4900001	4	1/2" NUT

DRIVE SHIELD (2 POINT HITCH MODEL)

<u>ITEM</u>	<u>PART NUMBER</u>	<u>QTY</u>	<u>DESCRIPTION</u>
6	8100222	1	BELT SHIELD
7	4800098	3	3/8" x 1-1/4" BOLTS
8	5000001	6	3/8" FLAT WASHERS
9	5000019	3	3/8" LOCK WASHERS
10	4900002	3	3/8" NUTS



