

1600
STACK-EZE
PARTS

PRICE \$2.50

HAYBUSTER MANUFACTURING, BOX 1008, JAMESTOWN, NORTH DAKOTA 58401



HAYBUSTER STACK-EZE WARRANTY

For one year from purchase date, HAYBUSTER MFG. INC. will replace for the original purchaser, free of charge, any part or parts found upon examination at our factory in Jamestown, North Dakota, to be defective upon normal use and service, on account of defects in material or workmanship. PICK-UP TEETH, BELTS, BEARINGS and TIRES ARE NOT INCLUDED IN THIS WARRANTY.

This warranty shall not be effective if the machine has been subject to misuse, negligence, or accident, nor if the machine has been altered outside of our factory, which in our judgement effects its condition or operation.

JP NO. 70

**CHECK WITH YOUR DEALER TO SEE IF HE HAS FILLED OUT THE WARRANTY CARD
AND MAILED IT TO HAYBUSTER MANUFACTURING.**

REPLACEMENT PARTS ARE AVAILABLE ONLY THROUGH YOUR HAYBUSTER DEALER

To obtain the fastest service, always remember to:

1. Order by part number.
 2. Give the machine year and model.
 3. Include the serial number.
-

Specifications for Model 1600A Stack-Eze

Round bed size	16 feet diameter, 201 square feet
Bed height	28 inches
Overall height, conveyor extended	18 feet 10 inches
Overall height, conveyor down	15 feet 10 inches
Height from platform to bottom of roller, conveyor extended	15 feet 6 inches
Height in transport position	9 feet
Width for transport, wings folded	8 feet
Overall length	28 feet 6 inches
Weight (approximately)	9500 pounds
Hay capacity, in tons	up to 6 tons
Suspension	(4) 11L x 14 tires, 2 extra wheels optional
Hydraulic bed tilt	yes
Push off	mechanical, chain driven, hydraulic powered
Pick up	5-1/2 feet wide, with retractable fingered auger
Conveyors	flared tubes
Packer roller	30 inches with 1300 lbs. hyd. pressure
Tractor requirements	35 hp, depending on soil conditions
Hydraulic requirements	single remote control tractor system

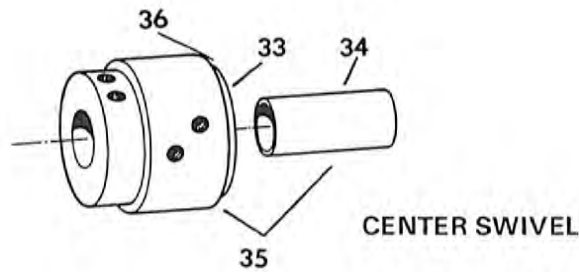
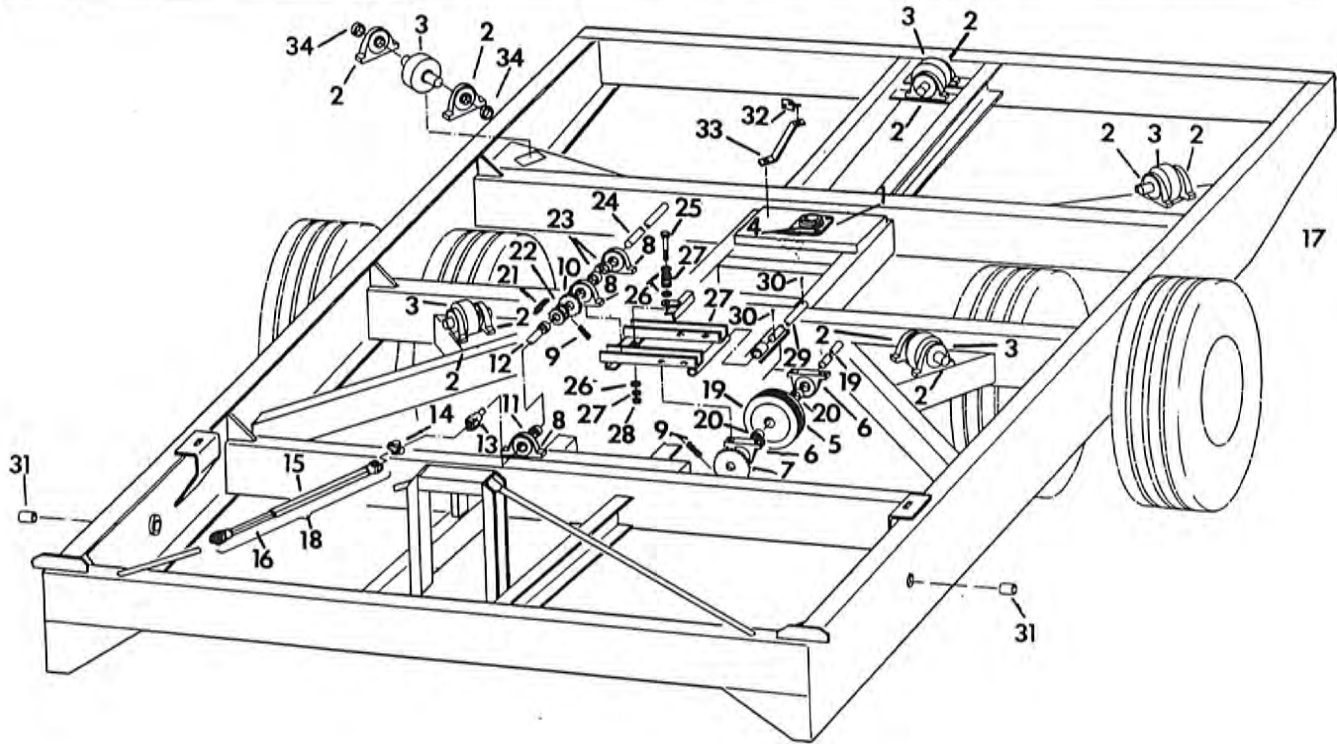
Contents

This book is printed in ten sections: Main Frame, Platform, Gooseneck, Pickup, Feeder, Vertical Tube, Hinge Section, Horizontal Tube, Hydraulics and Miscellaneous.

The pages in this book are numbered consecutively throughout the entire book.

When changes to the machine make it necessary, revised or additional pages for this book will be issued with complete directions for additions and deletions. The revised pages will be issued with the same page number as those they replace. The new additional pages, however, will either carry the next consecutive number or a suffix behind the page number (2-A, 2-B, 3-C, etc.) giving the proper location for the new pages to be placed in the book. Revised parts pages must be inserted into the book as soon as received. Failure to do so will result in confusion and defeat the purpose of the book.

1 Main Frame

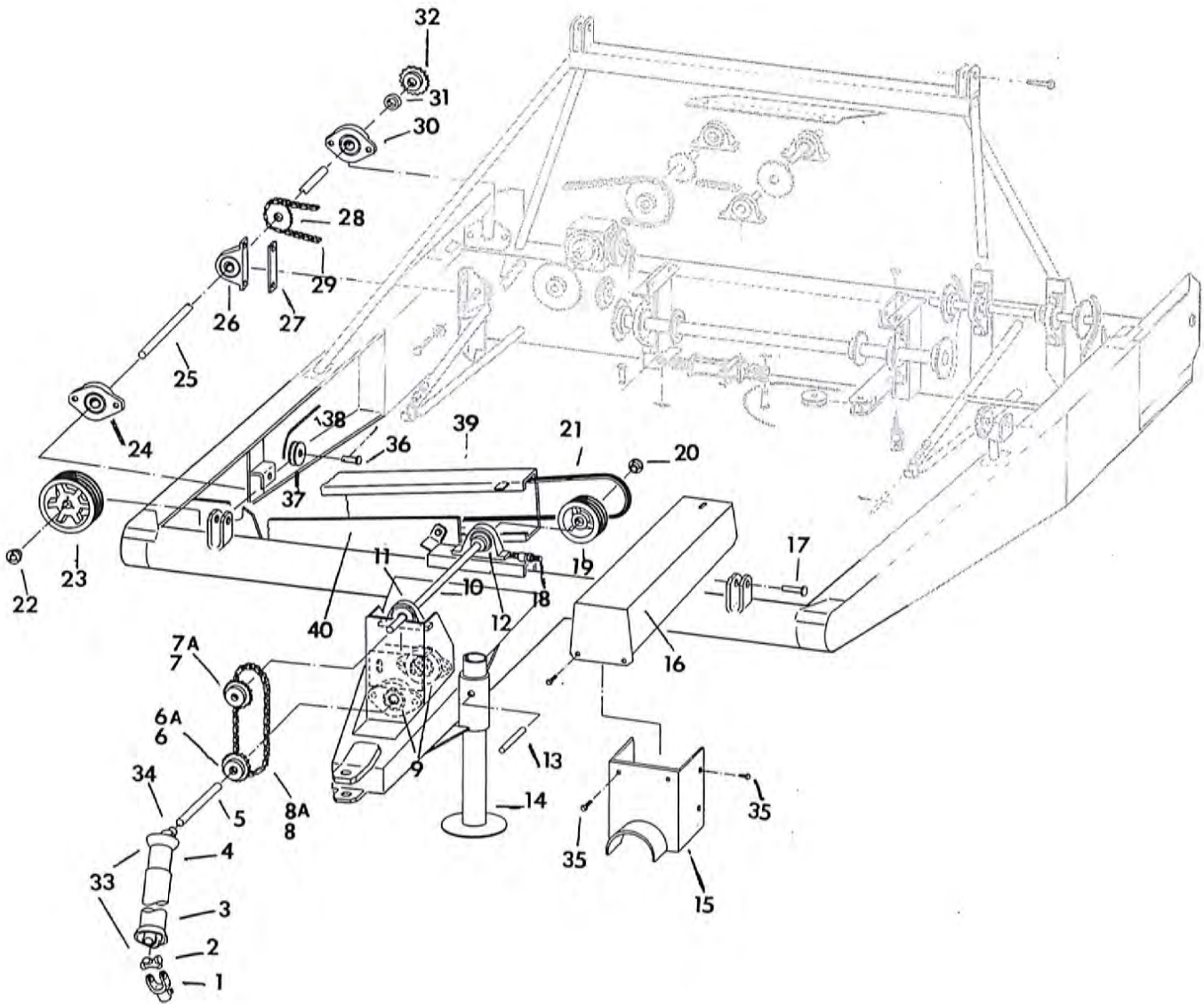


Ref.	Part No.	Qty.	Description
33	4100022	1	Swivel, less bushing
34	4100023	1	Bushing
35	4100005	1	Center Swivel, complete
36	4100026	1	Seal Kit, Not Illustrated

Ref.	Part No.	Qty.	Description
1	1900003	2	Bearing, 4 hole cast flange, 1-1/2
2	1800001	10	Bearing, Pillow block, 1-1/2
3	1200001	5	Roller, bed
4	4100005	1	Center swivel
5	2600003	1	Tire, platform drive
6	1800004	2	Bearing, Pillow Block 1-3/8
7	1000009	1	Sprocket, 60P 36T 1-1/4 bore
8	1800002	3	Bearing, Pillow Block, 1-1/4
9	1100014	1	Chain, 60P 49L CL
10	1000008	1	Sprocket, 60P 15T 1-1/4
11	2200003	2	Collar, lock 1-1/4
12	2300015	1	Shaft, 27.5 1-1/4 F2
13	3600011	1	Yoke, 1-1/4 Rd. G6N
14	3600008	1	Cross & Bearing, G6N
15	3600009	1	Female 1/2 telescoping drive
16	3600010	1	Male 1/2 telescoping drive
17	4600095	1	Main frame, less attachments
18	3600002	1	Telescoping drive, complete
19	2600002	1	Drive tire complete w/wheel & shaft
20	2200001	2	Locking collars, 1 3/8
21	1100017	1	Chain, double 60P, 11L CL
22	1000020	2	Sprockets, 60P 12T 1-1/4
23	2200005	2	Locking collars, 1-1/4
24	2300025	2	Shaft, 16 x 1-1/4 F22
25	4800023	1	Bolt, 5/8 ready rod 7-1/2"
26	5000002	3	Flat washer, 5/8
27	6100005	1	Spring, table drive
28	4900005	2	Nut, hex 5/8
29	4600096	1	Rod, 17 x 1
30	6200001	2	Keys, cotter 3/16 x 1-1/2
31	2000015	2	Bushings, 3/4 ID 1-1/2 OD 2-1/8L
32	4600098	1	Bracket, center pin
33	4600097	1	Strap, center pin
34	2200003	10	Locking collars 1-1/2"

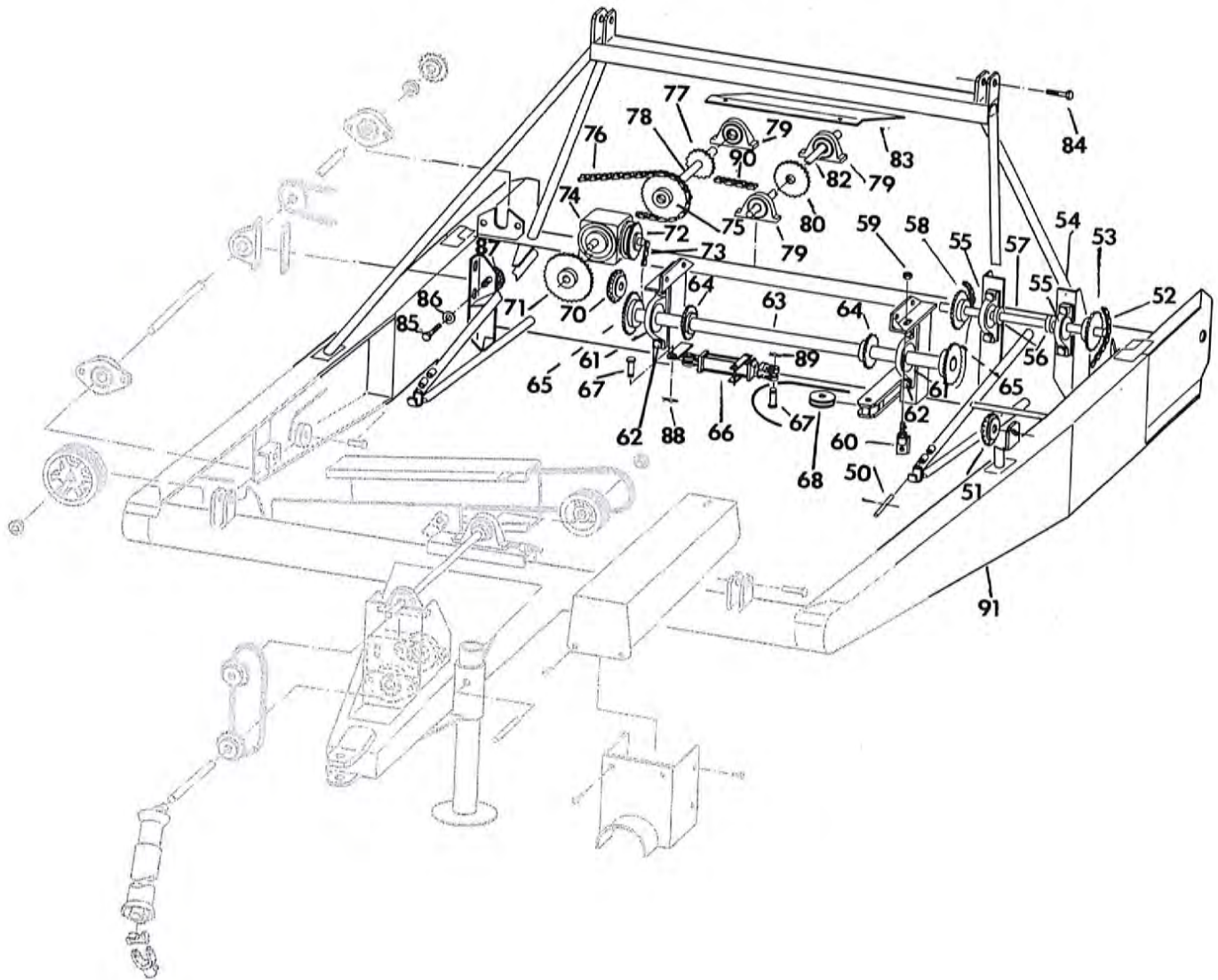
Ref.	Part No.	Qty.	Description
1	4600015	1	Clamp, rack extension, optional, 4 less bolts, 4 per set
2	6100002	2	Compression spring, 11/16 x 2-3/16
3	5000001	2	Washer, flat 3/8
4	4600020	2	Handle, slide latch, gate hold open
5	4600017	4	Clamp, outer
6	4600021	2	Clamp, inner
7	4600022	2	Rod, hold open gate
8	4600023	2	Wing
9	4600024	4	Wing rods
10	2300001	1	Shaft, 53'' x 1-1/2''
11	1000005	2	Sprocket, 8t. 1-1/2'' bore
12	1800001	2	Bearing, P.B. 1-1/2'' bore
13	2200003	2	Lock collar, 1-1/2''
14	3900001	1	Motor, orbit (Breakdown Page 19)
15	3100001	1	Gear Box, push off
16	4600025	4	Bolt tightener, rear slide
17	4600026	2	Slide tightener, rear beam
18	4600027	1	Handle, gate latch
19	6200001	1	Key, cotter 3/16 x 1-1/2
20	6100003	1	Spring, compression 7-3/8 long
21	4600028	1	Gate, L. H.
22	4600029	1	Gate, R. H.
23	4600030	1	Cage Section, R. Front
24	4600031	1	Cage Section, L. Front
25	4600032		Wire mesh
26	4600033	1	Cage pole, front
27	4600034	4	Rack Extension, optional
28	4600035	2	Pipe spacer, cage
29	2200001	1	Lock collar, 1-3/8
30	4600036	1	Lock plate, L. H. platform gate
31	4600037	1	Lock plate, R. H. platform gate
32	4600038	8	Plywood
33	1100001	2	Chain, 2062 CL x/attachments
34	1100016	2	Chain, 2062, smooth, 89L
35	4600045	1	Center pin, bed

5 Gooseneck Assembly L.H.

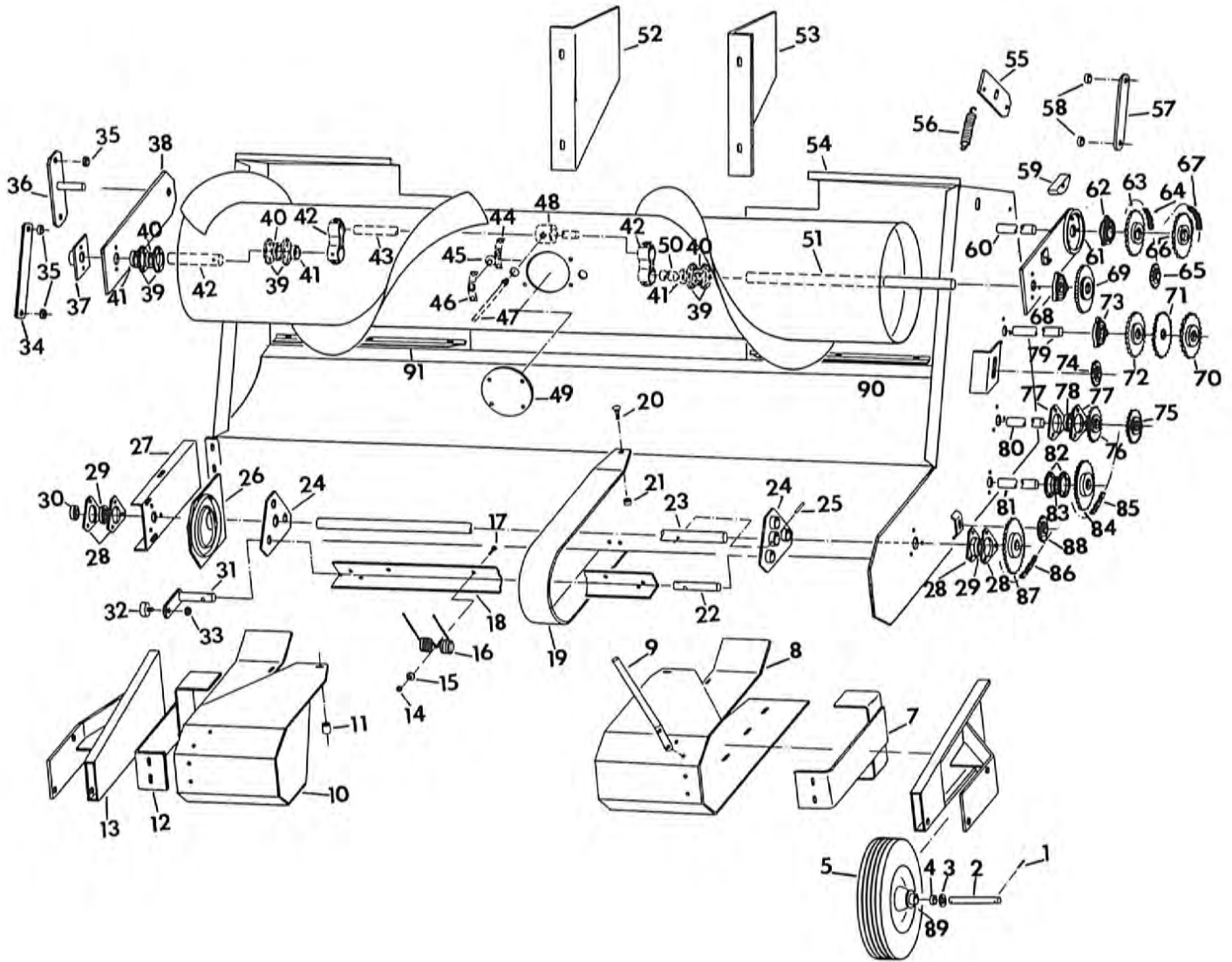


Ref.	Part No.	Qty.	Description
1	3600003	1	Yoke, tractor end
2	3600004	2	Cross & bearing
3	3600005	1	Tractor 1/2 PTO
4	3600006	1	Machine 1/2 PTO
5	2300003	1	Shaft, lower PTO, 1-1/4 x 12 A1
6	1000001	1	Sprocket, lower PTO, 540 RPM 60P 20T 1-1/4
6A	1000002	1	Sprocket, Lower PTO, 1000 RPM 60P 15T 1-1/4
7	1000003	1	Sprocket, upper PTO, 540 RPM 60P 18T 1-1/4
7A	1000004	1	Sprocket, upper PTO, 1000 RPM 60P 30T 1-1/4
8	1100002	1	Chain, 60P, 57L, Conn Lngth. 540 RPM
8A	1100003	1	Chain, 60P, 59L, Conn Length 1000 RPM
9	1900001	2	Bearing, cast flange, 2 hole 1-1/4
10	2300002	1	Shaft, upper PTO 32 x 1-1/4 B1
11	1800002	1	Bearing, P. B. 1-1/4
12	1800002	1	Bearing, P. B. 1-1/4
13	4800001	1	Pin, Jack Stand, 1/2 x 5-1/2
14	4600012	1	Stand, hitch
15	4600013	1	Shield, front
16	4600014	1	Shield, upper PTO
17	4800002	2	Pin, 3/4 x 2-1/2
18	4600016	1	Adjustable screw
19	1400001	1	Pulley, cast 6.5P 3 gr. 1-1/4
20	1500001	1	Hub, 1-1/4
21	1600002	3	Belts,
22	1400002	1	Pulley, cast 8 P 3 gr. 1-1/4
23	1500001	1	Hub, 3 gr. 1-1/4
24	1900001	1	Bearing, cast flange, 2 hole, 1-1/4
25	2300004	1	Shaft, input, 61 x 1-1/4 C2
26	1800002	1	Bearing, P. B. 1-1/4
27	4600011	1	Shim
28	1000008	1	Sprocket, 60P 15T 1-1/4
29	1100004	1	Chain, 60P 59L CL
30	1900001	1	Bearing, cast flange, 2 hole, 1-1/4
31	2200002	1	Lock Collar, 1-1/4
32	1000008	1	Sprocket, 60P 15T 1-1/4
33	3600001	1	PTO, complete
34	3600007	1	Yoke, machine
35	4800003	6	Bolts, 3/8 x 1
36	4800004	1	Pin, 5/8 x 2
37	5500001	1	Sheave, cable
38	5600001	1	Cable, 22'
39	4600046	1	Shield
40	4600047	1	Shield

7 Gooseneck Assembly R.H.

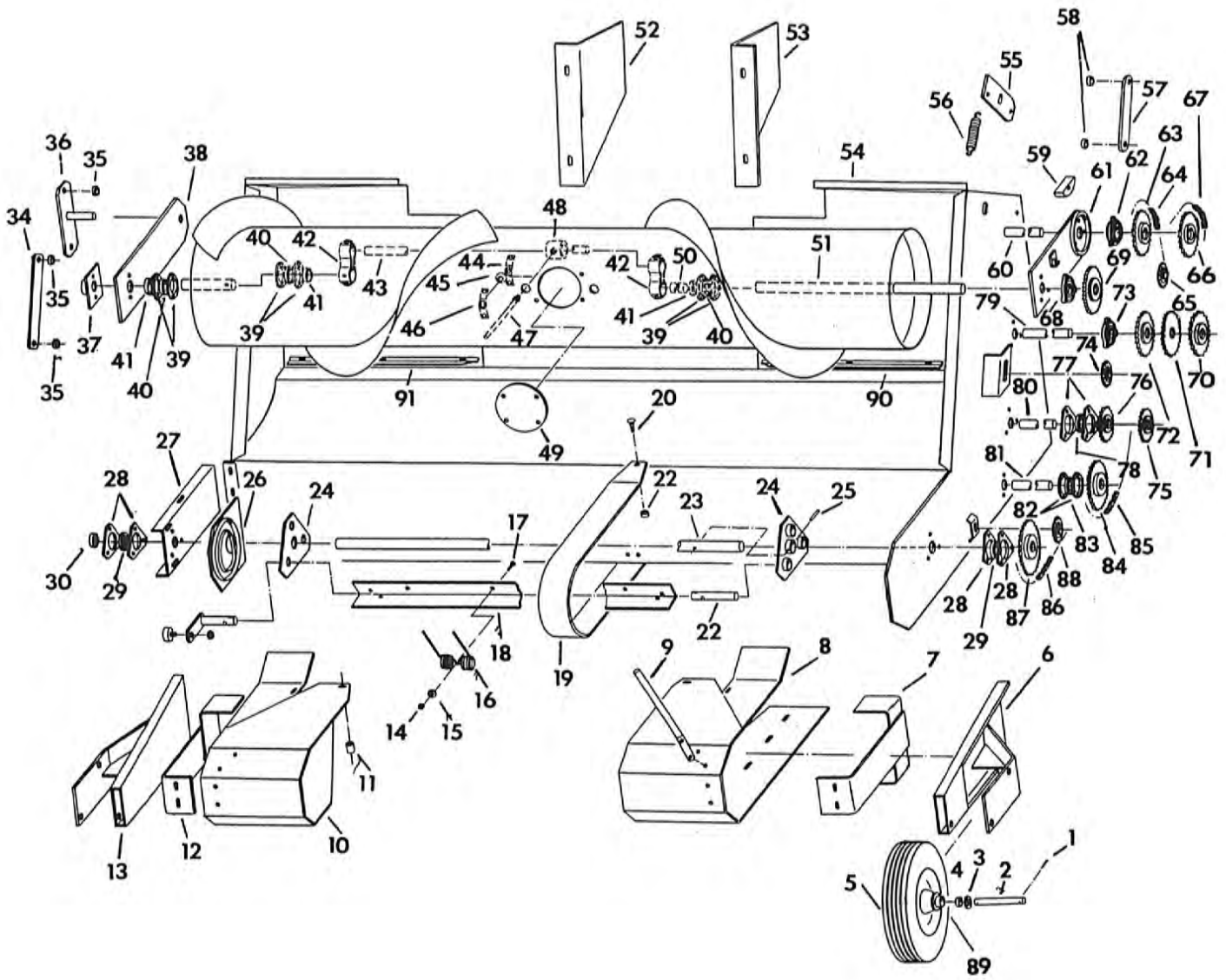


Ref.	Part No.	Qty.	Description
50	4800005	2	Pin, w/cotter
51	1000007	1	Sprocket Idler, 60P
52	1100010	1	Chain, 60P 79L OL CL
53	1000006	1	Sprocket, 60P 20T 1-1/4
54	4800007	4	Bolt, 1/2 x 2
55	1800002	2	Bearing, P. B. 1-1/4
56	2200002	2	Locking collar, 1-1/2
57	2300011	1	Shaft, 21 x 1-1/4 M2
58	1000019	1	Sprocket, 60P 18T 1-1/4
59	4900001	4	Nut, hex 1/2
60	4600040	1	Tightener, bearing
61	1800001	2	Bearing, P. B. 1-1/2
62	4800007	2	Bolt, hex 1/2 x 2
63	2300012	1	Shaft, rotor drive 51 x 1-1/2 K2
64	1000018	2	Sprocket, 60P 18T 1-1/2
65	1000017	2	Sprocket, 60P 24T 1-1/2
66	4100001	1	Cylinder, hydraulic 2 x 8 (Breakdown P. 22)
67	4800008	1	Pin, clevis cylinder
68	5500001	1	Sheave, cable
69	5600001	1	Cable, 22'
70	1000007	1	Sprocket, idler 60P
71	1000009	1	Sprocket, 60P 36T 1-1/4
72	1000006	1	Sprocket, 60P 20T 1-1/4
73	1100012	1	Chain, 60P 53L CL
74	3100002	1	Gear Box, 412 1:1 (Breakdown P. 25)
75	1000004	2	Sprocket, 60P 30T 1-1/4
76	1100005	1	Chain, 60P 61L CL
77	1000019	1	Sprocket, 60P 18T 1-1/4
78	1300019	1	Shaft, 14 x 1-1/4 D
79	1800002	4	Bearing, 1-1/4 P B
80	1000004	1	Sprocket, 60P 30T 1-1/4
82	2300020	1	Shaft, 20 x 1-1/4 E1
83	4600041	1	Shield
84	4800011	2	Bolt, hex, 3/4 x 3-1/2, gradfe 5
85	4800010	1	Bolt, hex, 5/8 x 2
86	5000002	1	Washer, flat 5/8
87	4800010	1	Sprocket, idler 60P
88	4800013	1	Pin, Hair
89	4800013	1	Pin, Hair
90	1100015	1	Chain, 60P 59L CL
91	4600042	1	Goose Neck

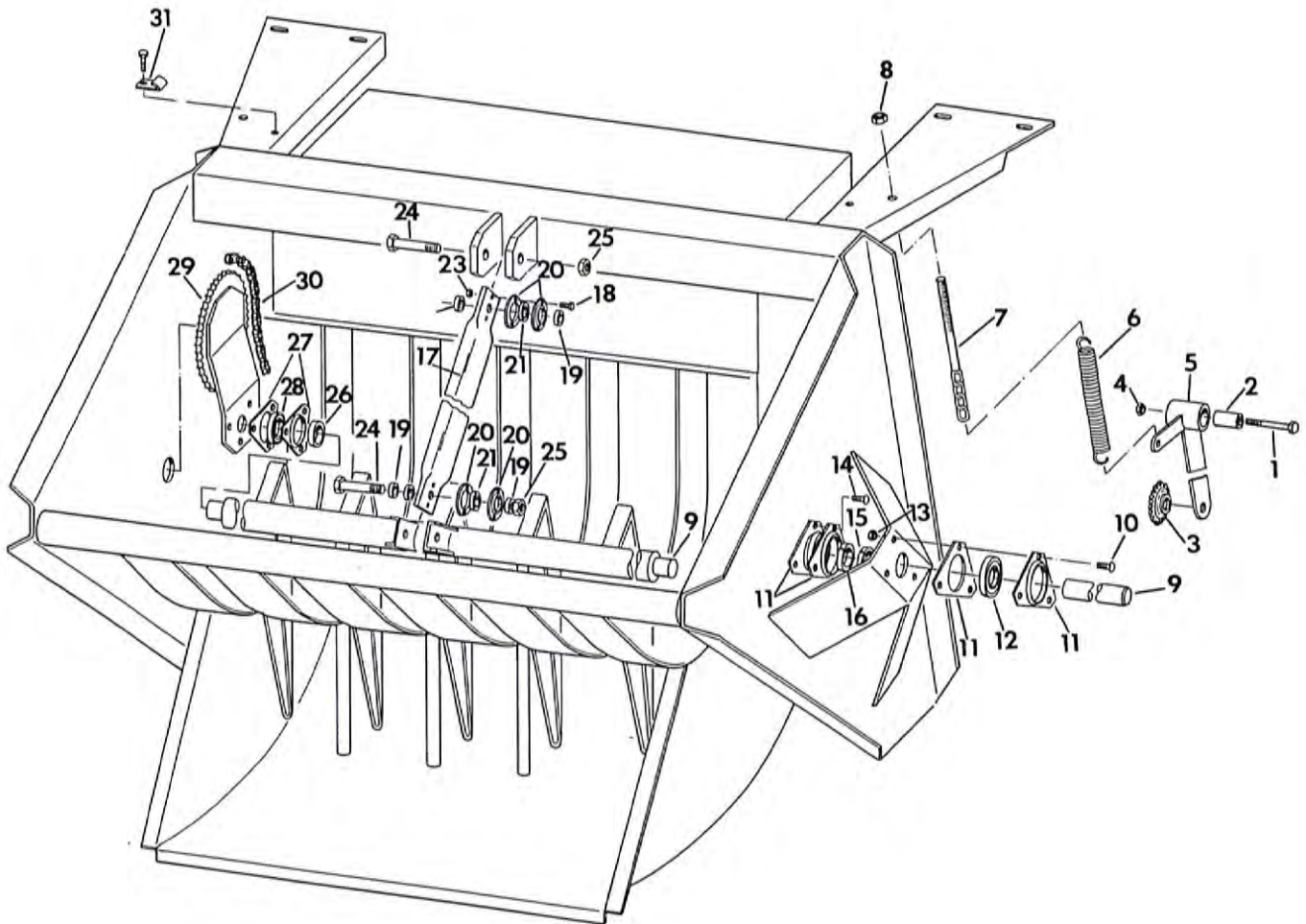


Ref.	Part No.	Qty.	Description
1	6200001	4	Key, cotter, 3/16 x 2
2	2300023	2	Shaft, 5-1/2 x 3/4
3	5000005	Var.	Washer, flat, 3/4
4	2800003	2	Cap, pick up wheel
5	2800002	2	Wheel, pick up
6	4600073	1	Frame, pick up wheel, L.H.
7	4600074	1	Brace, pick up shoe, L.H.
8	4600075	1	Pick up shoe, L.H.
9	6000013	2	Hay guide, pick up
10	4600076	1	Pick up shoe, R.H.
11	4600092	2	Spacer, 1/2 x 1
12	4600077	1	Brace, pick up shoe, R.H.
13	4600072	1	Frame, pick up wheel R.H.
14	4900002	1	Nut, Hex, 3/8, per tooth
15	5000001	2	Washer, flat, 3/8, per tooth
16	6000012	30	Teeth, pick up
17	4800003	1	Bolt, 3/8 x 1, per tooth
18	4600078	3	Pick up angle, tooth
19	6000011	19	Bands, pick up
20	4800012	1	Carriage screw, 3/8 x 1-1/4
21	4800012	19	Spacer, 1/2 x 1/2
22	4600087	1	Shaft, without crank
23	2300013	1	Shaft, 82.5 x 1-1/8
24	6000007	2	Spider
25	4800022	2	Roll pin, 3/8 x 2
26	6000008	1	Cam
27	4600079	1	Bracket, pick up
28	2100004	2	Flangette, 3 hole, 1-1/8
29	2000003	2	Bearing, 1-1/8
30	2200006	2	Collar, lock 1-1/8
31	6000009	3	Shaft, w/crank
32	6000010	3	Cam follower
33	4900007	3	Nut, hex, NF 1/2
34	4600080	2	Auger adjustment bracket
35	4600089	4	Spacer, 1/2 x 3/8
36	4600090	1	Auger hinge hanger
37	4600081	1	Timing hub, auger fingers
38	4600082	1	Auger end bracket
40	2000002	2	Bearing, 1"
39	2100003	4	Flangette, 2 hole, 1"
41	2200004	2	Collar, 1"
42	6000006	2	Crank, finger
43	2300014	1	Shaft, finger
44	6000004	8	Guide, inner
45	6000005	8	Ball, pivot
46	6000003	8	Guide, outer
47	6000002	8	Finger
48	6000001	8	Bearing, finger

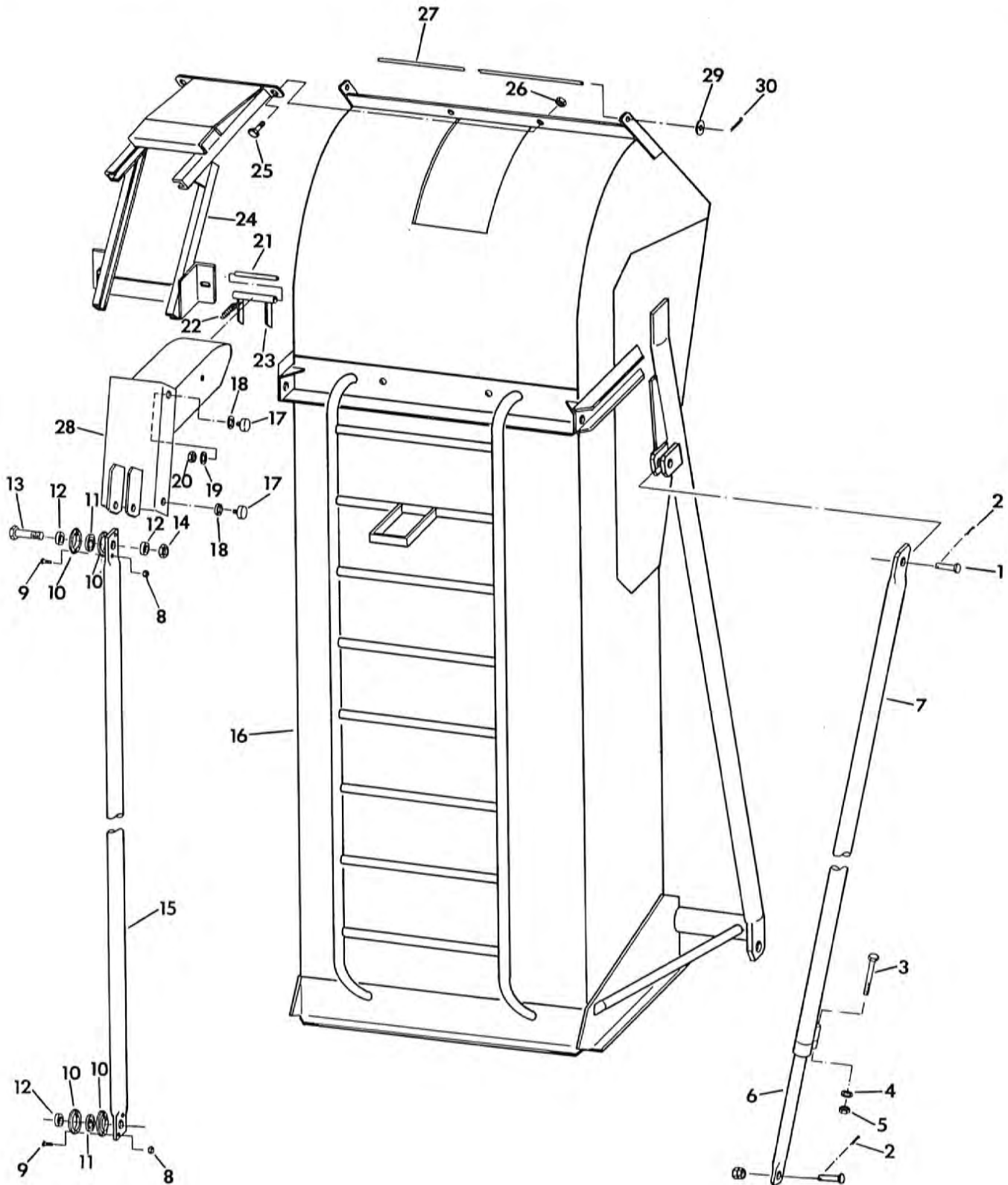
11 Pick Up (Continued)



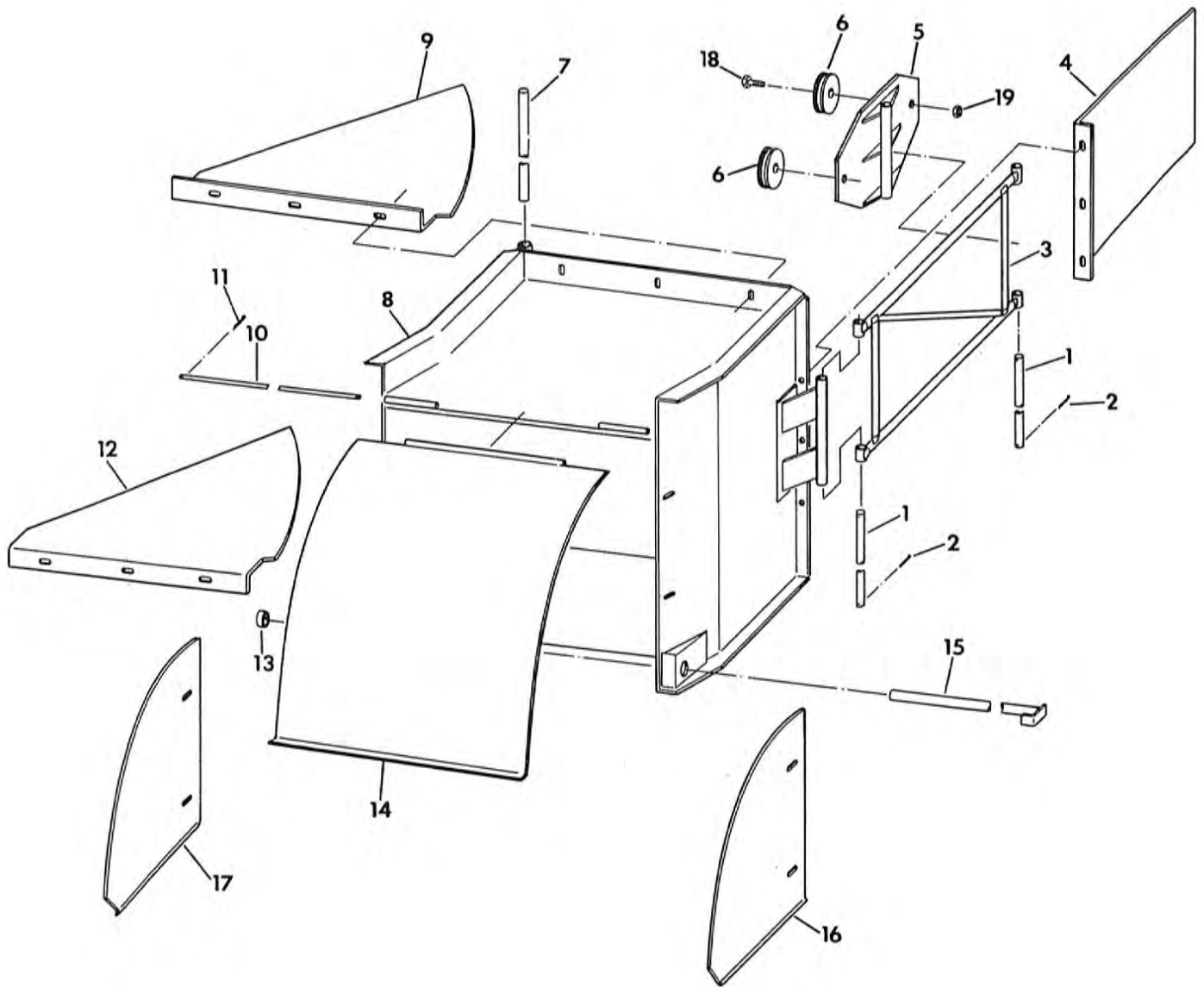
Ref.	Part No.	Qty.	Description
49	4600083	1	Cover, auger
50	2300024	1	Shaft, 5" x 1"
51	4600070	1	Auger, pick up, no attachments
52	4600084	1	Hay shield, rear pick up, R.H.
53	4600085	1	Hay shield, rear pick up, L.H.
54	4600071	1	Main frame, pick up
55	4600086	1	Spring holder
56	6100001	1	Spring
57	4600080	1	Auger Adjustment bracket
58	4600089	1	Space, r 1/2 x 3/8
59	6000014	1	Wood block, idler
60	2300008	1	Shaft, 23.5 x 1-1/4 AC
61	4600091	1	Auger bracket, L.H.
62	1900002	1	Bearing, 3 hole cast, 1-1/4
63	1000014	1	Sprocket, 50P, 24P 1-1/4
64	1100009	1	Chain, 50P, 55L OL CL
65	1000011	1	Sprocket idler, 50P, 17T 1/2
66	1000016	1	Sprocket, 50P, 20T 1-1/4
67	1100008	1	Chain, 50P, 65L OL CL
68	1900004	1	Bearing, 3 hole cast, 1-3/8
69	1000015	1	Sprocket, 50P, 30T 1-3/8 5/16KW
70	1000006	1	Sprocket, 60P, 20T 1-1/4
71	1000014	1	Sprocket, 50P, 24T 1-1/4
72	1000014	1	Sprocket, 50P, 24T 1-1/4
73	1900002	1	Bearing, 3 hole 1-1/4 cast
74	1000011	1	Sprocket idler, 50P 17T 1/2
75	1000013	1	Sprocket, 50P, 24T 1-1/4H
76	1000014	1	Sprocket, 50P, 24T 1-1/4
77	2100001	2	Flangette, 3 hole 1-1/4
78	2000001	1	Bearing, 1-1/4
79	2300005	1	Shaft, 24 x 1-1/4 BB
80	2300006	1	Shaft, 21.34 x 1-1/4 AA
81	2300007	1	Shaft, 21.5 x 1 EE
82	2100002	2	Flangette, 2 hole 1"
83	2000002	1	Bearing, 1"
84	1000012	1	Sprocket, 50P, 30T 1"
85	1100007	1	Chain, 50P, 77L CL
86	1100006	1	Chain, 50P, 73L CL
87	1000010	1	Sprocket, 50P, 27T 1-1/8
88	1000011	1	Sprocket idler, 50P, 17T 1/2
89	2000010	2	Bearing, roller Pick Up wheel
90	4600093	1	Stripper angle, L.H.
91	4600094	1	Stripper angle, R.H.

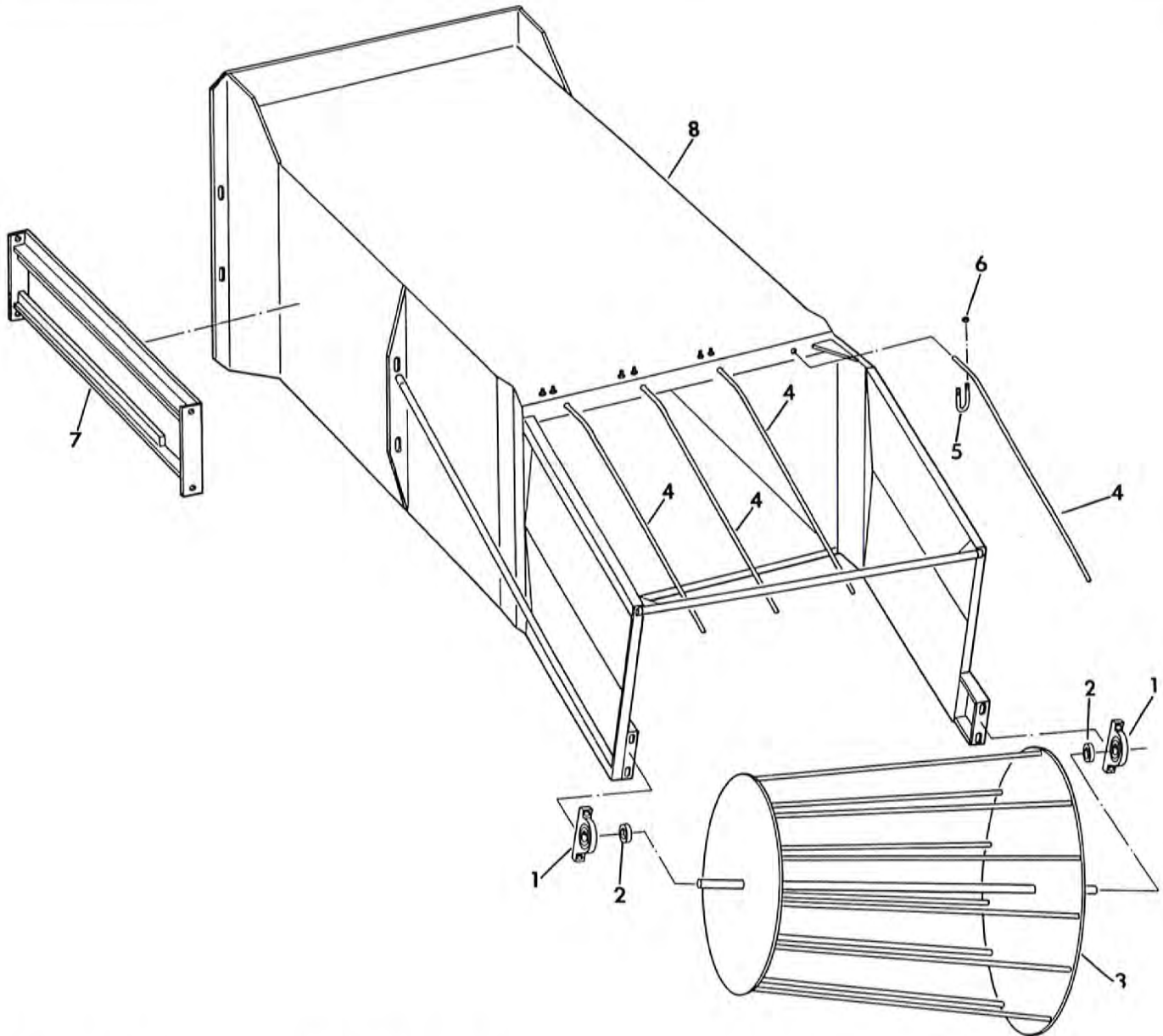


Ref.	Part No.	Qty.	Description
1	4800006	2	Bolt, 1/2 x 4 Hex
2	4800039	2	Sleave
3	1000007	2	Idler sprocket, 60 pitch
4	4900001	2	Nut, 1/2 hex
5	4800018	2	Chain tightener arm
6	6100001	2	Spring
7	4600019	2	Tension bolt, w/chain
8	4900001		Nut, 1/2 hex
9	4600005	1	Rotor, 5 tooth
10	4800012		Bolt, 3/8 x 1-1/4 carriage
11	2100001	4	Flangette, 3 hole, 1-1/4 bore
12	2000001	4	Bearing, 1-1/4 bore
13	4900002		Nut, 3/8 hex
14	4800012		Bolt, 3/8 x 1-1/4 carriage
15	2200002	1	Lock collar, 1-1/4 brg.
16	2200002	1	Lock collar, 1-1/4 brg.
17	4600004	1	Pivot rod, rotor
18	4800013		Bolt, 5/16 x 1
19	4600043	4	Spacer, 3/4"
20	2100003	2	Flangette, 2 hole, 3/4"
21	2000004	2	Bearing, 3/4"
23	4900003		Nut, hex, 5/16
24	4800011		Bolt, 3/4 x 3-1/2, hex
25	4900004		Nut, hex, 3/4
26	2200002		Lock collar, 1-1/4
27	2100001	2	Flangette, 3 hole, tri.
28	2000001	2	Bearing, 1-1/4
29	4600006	2	Rotor crank, w/60 p. 30T spkt.
30	1100011	2	Chain, 60 p, 93L, Conn. L.
31	4600044	2	Clip, hold down

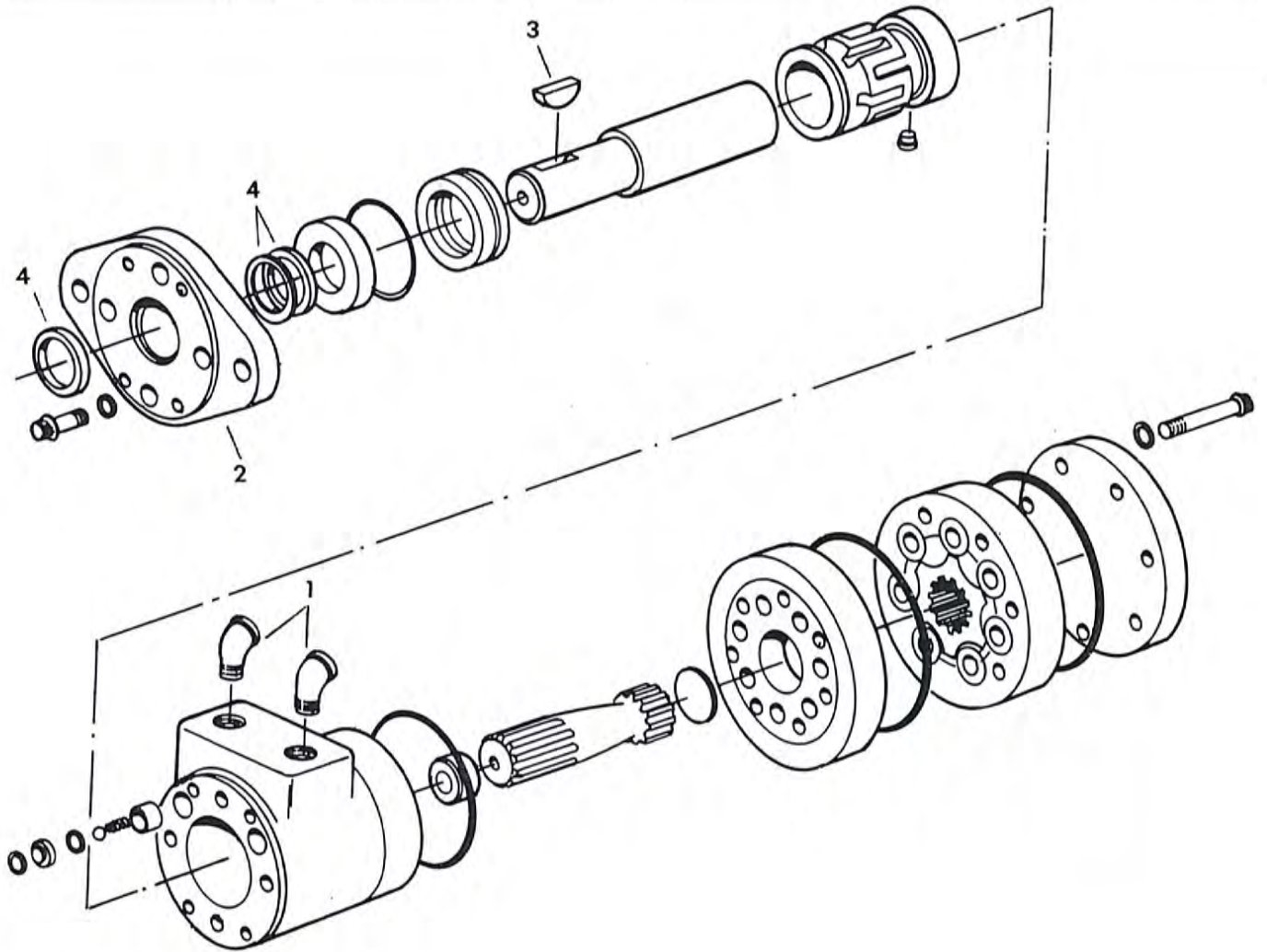


Ref.	Part No.	Qty.	Description
1	4800015	2	Pin, 3/4 x 2
2	6100001	2	Key, cotter 3/16 x 1-1/2
3	4800016	2	Bolt, Hex 5/8 x 4
4	5000003	2	Washer, lock 5/8
5	4900005	2	Nut, hex 5/8
6	4600052	2	Telescoping pipe, bottom
7	4600053	2	Telescoping pipe, top
8	4900003	1	Nut, hex 5/16
9	4800013	1	Bolt, hex 5/16 x 1
10	2100003	4	Flangette, 3/4, 2 hole
11	2000004	1	Bearing, 3/4
12	4600060	3	Pipe spacer
13	4800017	1	Bolt, hex 3/4 x 3
14	4900004	1	Nut, hex
15	4600054	1	Pusher pipe
16	4600055	1	Verticle tube
17	2000009	4	Cam follower
18	5000004	1	Washer, flat
19	5000006	1	Lock washer, 1/2"
20	4900007	1	Nut, hex, fine thread 1/2
21	4800019	1	Pin, 9/16 x 6
22	6100004	1	Spring, pull 1/2 x 5
23	4600056	1	Finger, pusher, weldment
24	4600057	1	Pusher track
25	4800018	1	Bolt, hex 1/2 x 1-1/4
26	4900001	1	Nut, hex 1/2
27	4600058	1	Rod, top tube cover
28	4600059	1	Pusher
29	4900001	1	Nut, hex 1/2
30	6200001	1	Pin, Cotter 3/16 x 1-1/2

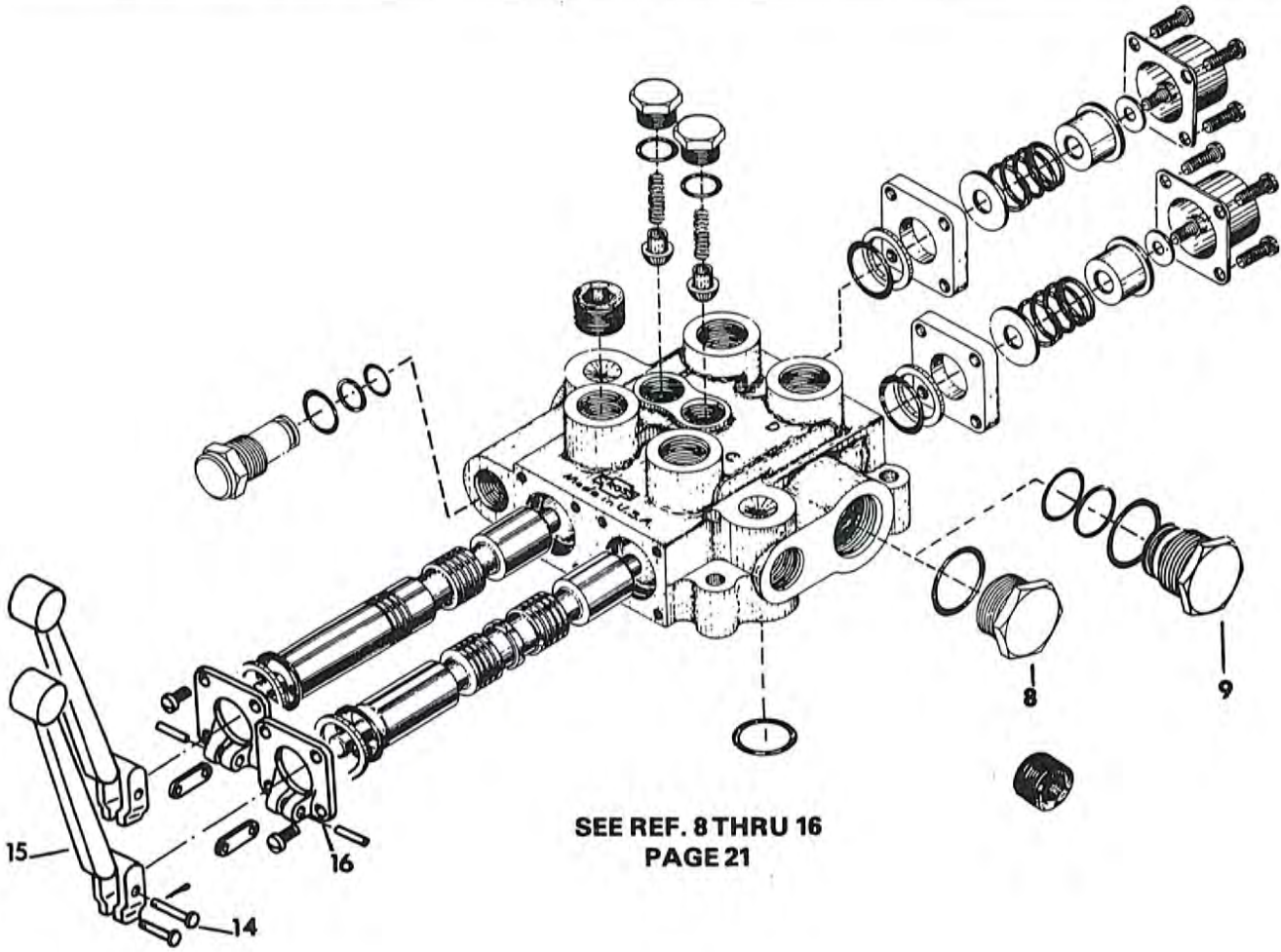




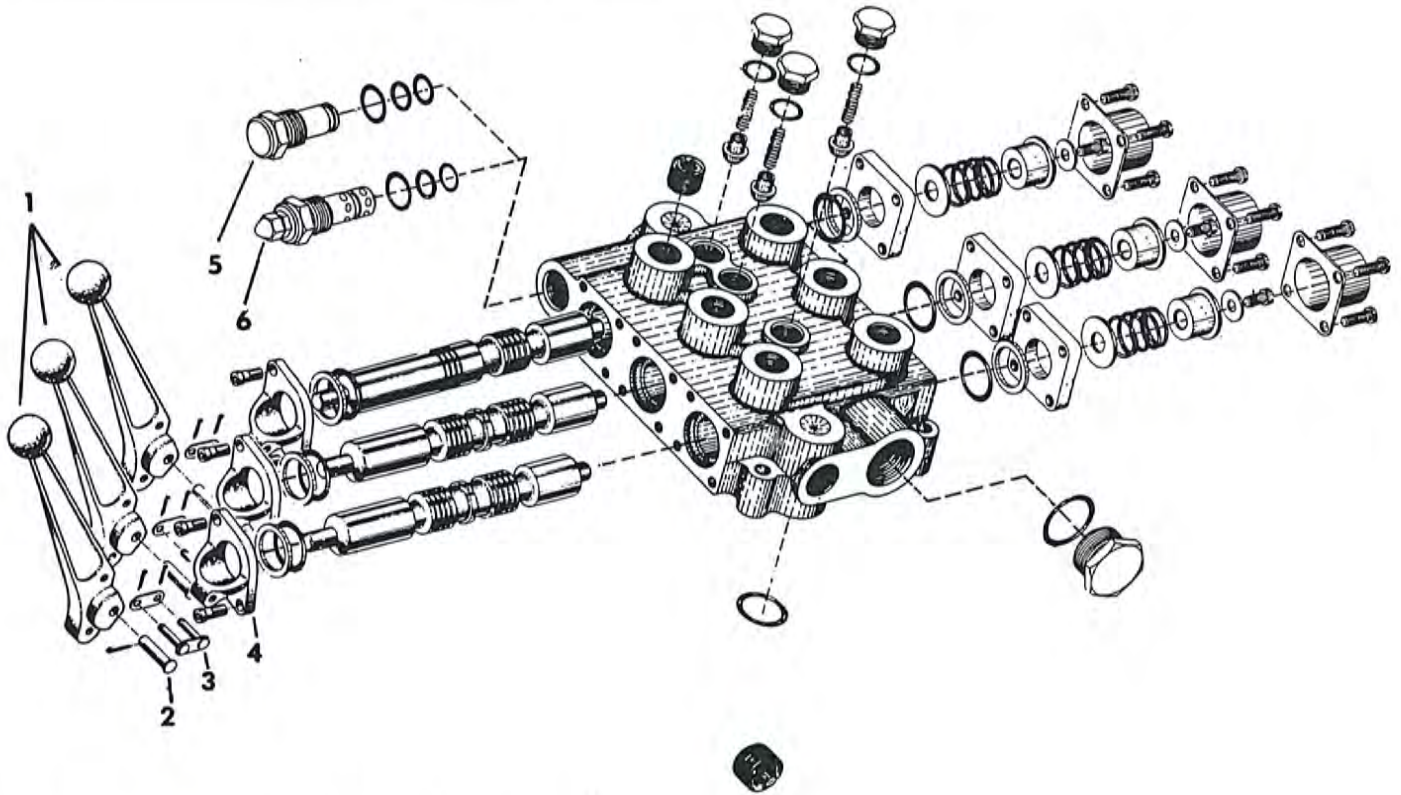
Ref.	Part No.	Qty.	Description
1	1800003	2	Bearing, P. B. 1"
2	2200004	2	Lock Collar, 1"
3	4600048	1	Packer Drum
4	4600049	4	Wind Guards
5	4800014	4	Bolt, U 3/8 x 2
6	4900002	8	Nut, Hex 3/8
7	4600050	1	Slide frame, rear tube
8	4600051	1	Top conveyor, less attachments



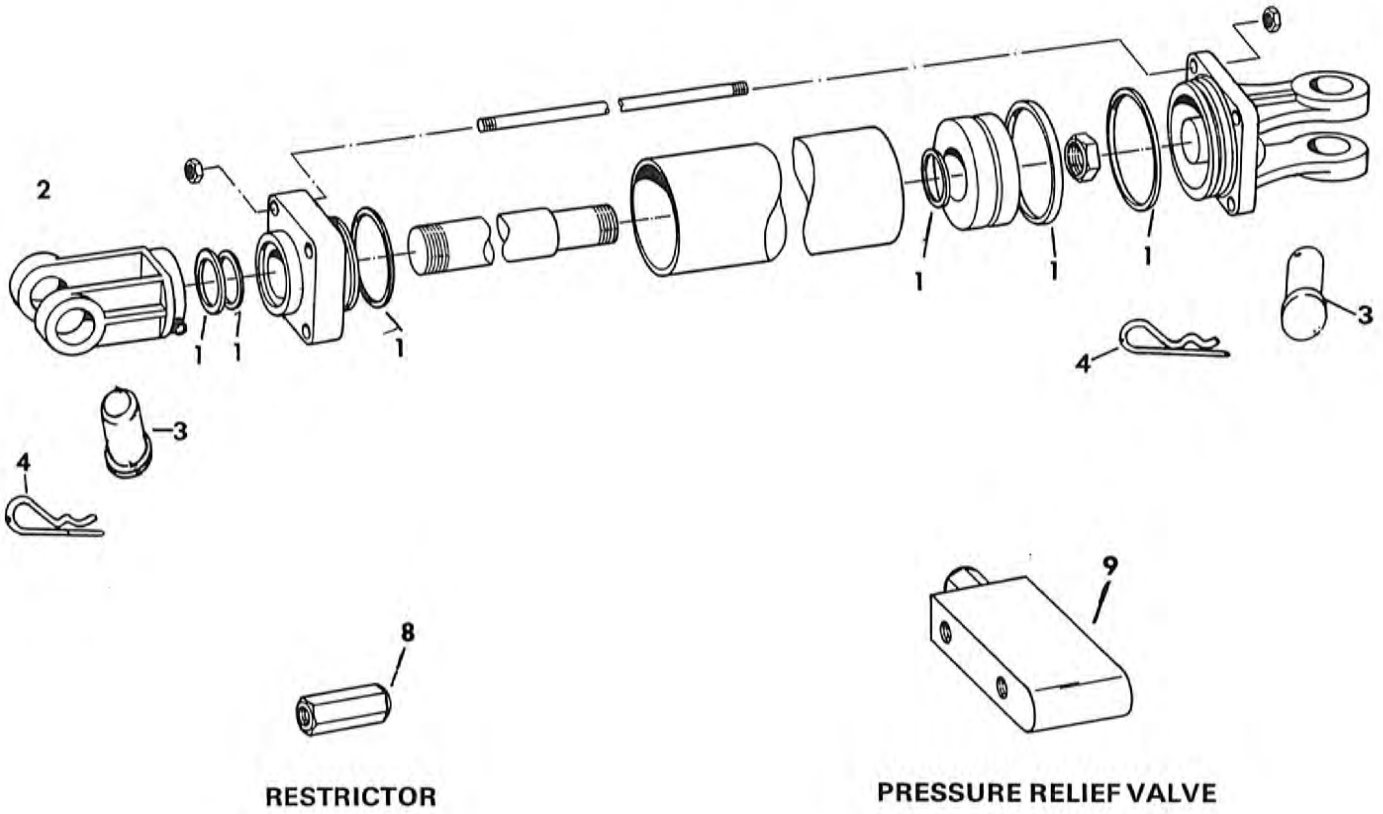
Ref.	Part No.	Qty.	Description
1	3900001	2	1/2" 45° St. Ells
2	3900002	1	Mounting flange
3	6200003	1	Key, woodruff
4	3200002	1	Seal kit, orbit
5	3900003	1	Orbit motor complete, 207



SEE REF. 8 THRU 16
PAGE 21



Ref.	Part No.	Qty.	Description
1	4000001	3	Valve handles
2	4000002	3	Connector links, handle
3	4000003	3	Pin, handle, w/key
4	4000004	3	Handle bracket
5	4000005	1	Closed center plug
6	4000006	1	Open center plug
7	3200003	1	Seal kit, 3 spool valve bank
8	4000007	1	Open center plug
9	4000008	1	Closed center plug
10	3200004	1	Seal kit, 2 spool valve bank
11	4000009	1	3 spool valve bank, complete
12	4000010	1	2 spool valve bank, complete
13	4000011	1	5 spool valve bank, complete
14	4000013	4	Pin, handle
15	4000014	2	Valve handles
16	4000015	2	Handle bracket



Dump Cylinder, Bed

Ref.	Part No.	Qty.	Description
1	4100006	1	Seal Kit
2	4100007	1	Yoke
3	4100008	2	Pin
4	4100009	2	Key
5	4100002		Dump cyl., complete 3 x 12
6	3700009	1	Hose, 1/4" x 264" white
7	3700010	1	Hose, 1/4" x 272" red

Pick Up Cylinder

1	4100010	1	Seal Kit
2	4100011	1	Yoke
3	4100012	2	Pin
4	4100013	2	Key
5	4100001	1	Pick up cyl., complete 2 x 8
6	3700011	1	Hose 1/4" x 280" blue
7	3700003	1	Hose, 1/4" x 288" yellow

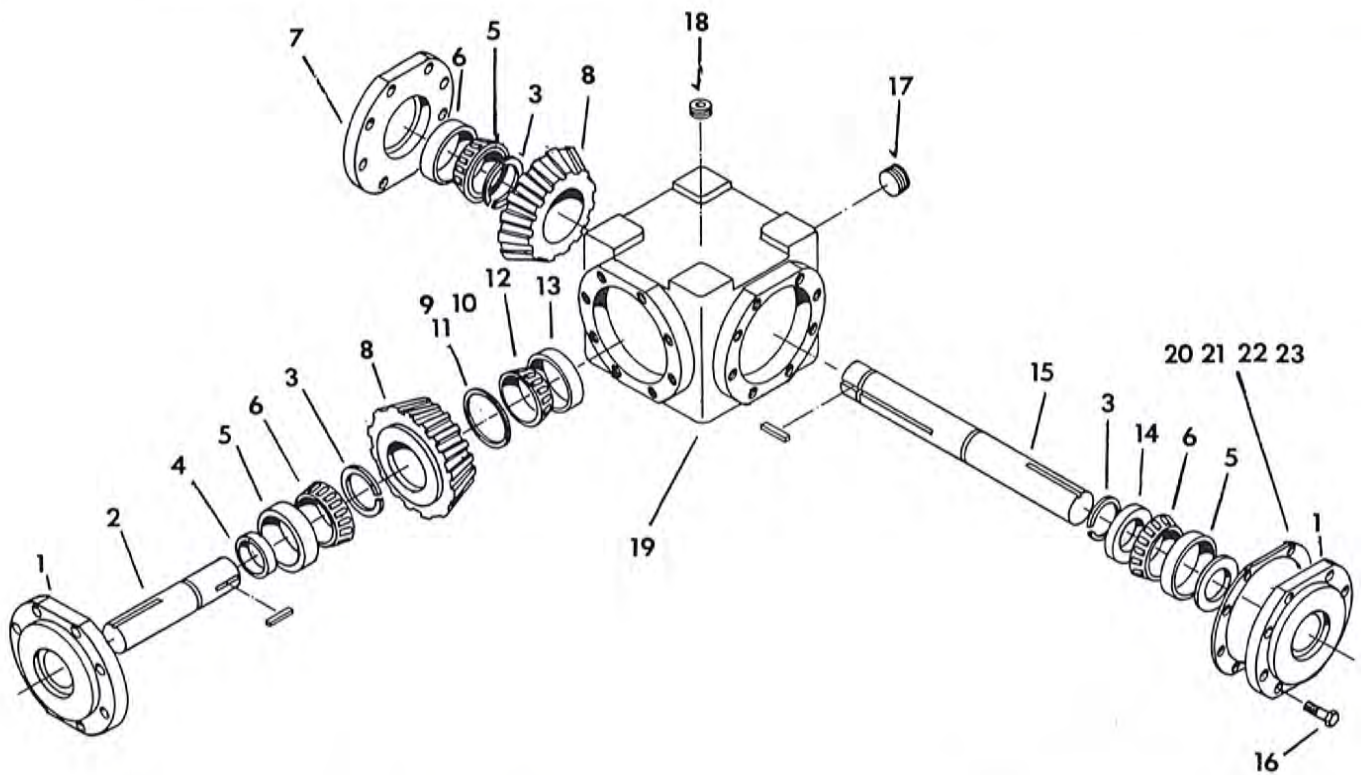
Lift Cylinder, Tube

1	4100014	1	Seal Kit
2	4100015	1	Yoke
3	4100016	2	Pin
4	4100017	2	Key
5	4100004	1	Lift cyl., complete 3 x 16
6	3700005	1	Hose, 1/4" x 363" brown
7	3700006	1	Hose, 1/4" x 377" black
9	4100024	1	Pressure relief valve

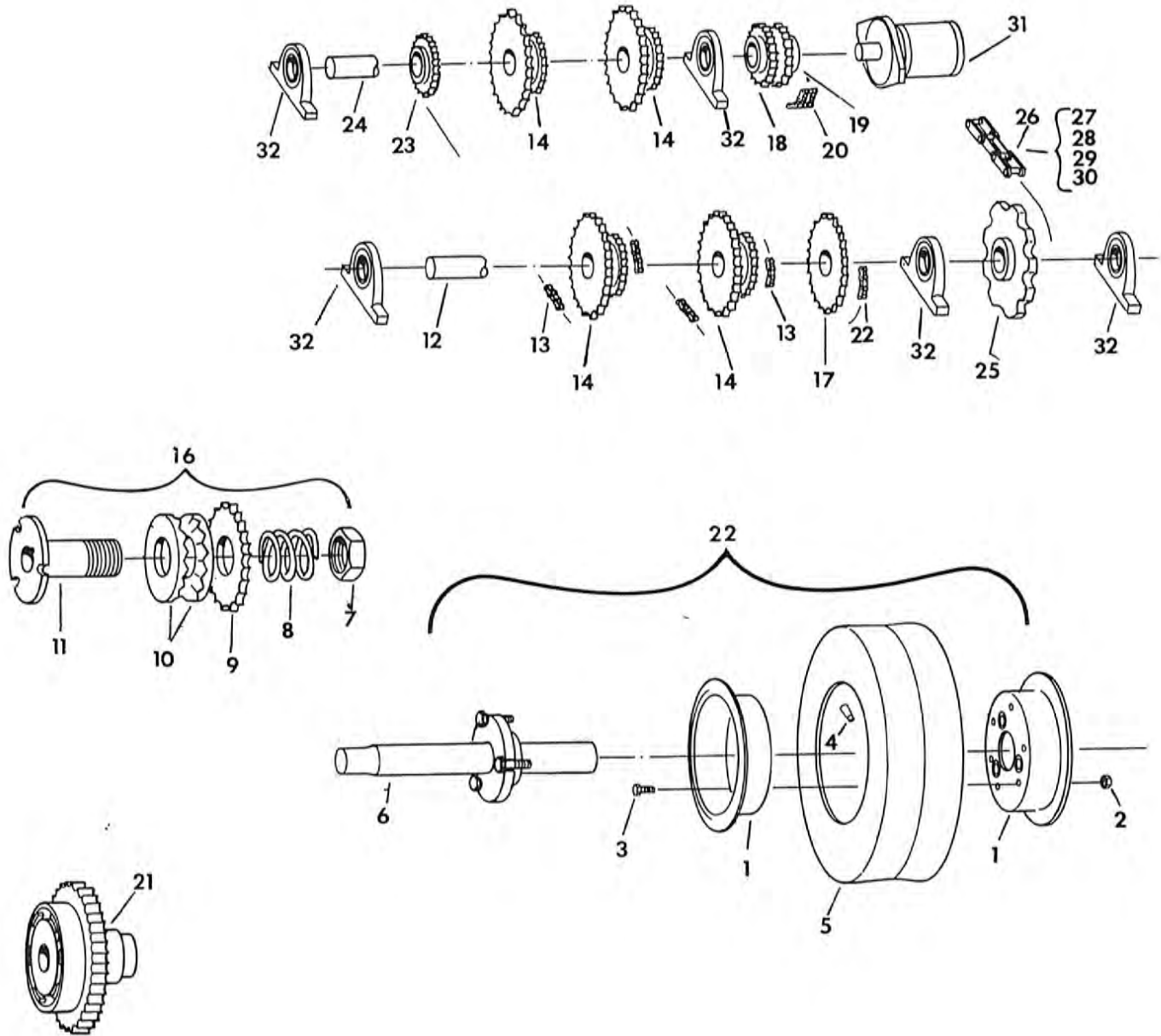
Swing Cylinder, Tube

1	4100018	1	Seal Kit
2	4100019	1	Yoke
3	4100020	2	Pin
4	4100021	2	Key
5	4100003	1	Swing cyl., complete 2-1/2 x 8
6	3700007	1	Hose, 1/4" x 390" gray
7	3700008	1	Hose, 1/4" x 398" green
8	4100025	1	Restrictor from valve bank

All other cylinder parts not serviceable



Ref.	Part No.	Qty.	Description
1	3100001	2	Cap, 412
2	3100002	1	Shaft, 412
3	3300001	2	Snap ring
4	3200001	2	Seals, 412
5	2000011	3	Bearing cone
6	2000012	3	Bearing
7	3100003	1	Blank cap
8	3100004	2	Gear
9	3100005	var.	Shim .002
10	3100006	var.	Shim .005
11	3100007	var.	Shim .010
12	2000013	1	Bearing
13	2000014	1	Bearing cone
14	3100008	1	Thrust collar
15	3100009	1	Shaft
16	3100010	24	Cap screws
17	3100011	2	Plain plugs
18	3100012	1	Vented plug
19	3100013	1	412 G.B. complete
20	3500004	var.	Gasket .002
21	3500003	var.	Gasket .003
22	3500002	var.	Gasket .005
23	3500001	var.	Gasket .015



Ref.	Part No.	Qty.	Description
12	2300002	1	Shaft, 61.5 1-1/4 SP PF
13	1100022	4	Chain, 60P 45L CL
14	1000021	4	Sprocket, trans. 60A30 15T 1-1/4
17	1000022	1	Sprocket, 60P 36T 1-1/4 5/16KW
18	1000023	1	Sprocket, 60P 12T 1
19	1000020	1	Sprocket, 60P 12T 1-1/4
20	1100017	1	Chain, double 60P 11L CL
22	1100023	1	Chain, 60P 51L CL
23	1000008	1	Sprocket, 60P 15T CL
24	2300027	1	Shaft, 14.75 1-1/4 SP PR
25	1000024	2	Sprocket, 8T 1-1/4 Cast
26	1100024	2	Chain, 6700H P, 133L CL
27	1100018	—	Block link, 6700H chain
28	1100019	—	Narrow link, 6700H chain
29	1100020	—	Connector link, 6700H chain
30	1100021	—	Offset link, 6700H chain
31	3900004	1	Orbit motor, M 204
32	1800002	5	Bearing, Pillow block 1-1/4

Ratchet Clutch 1972 Model 1600 Only

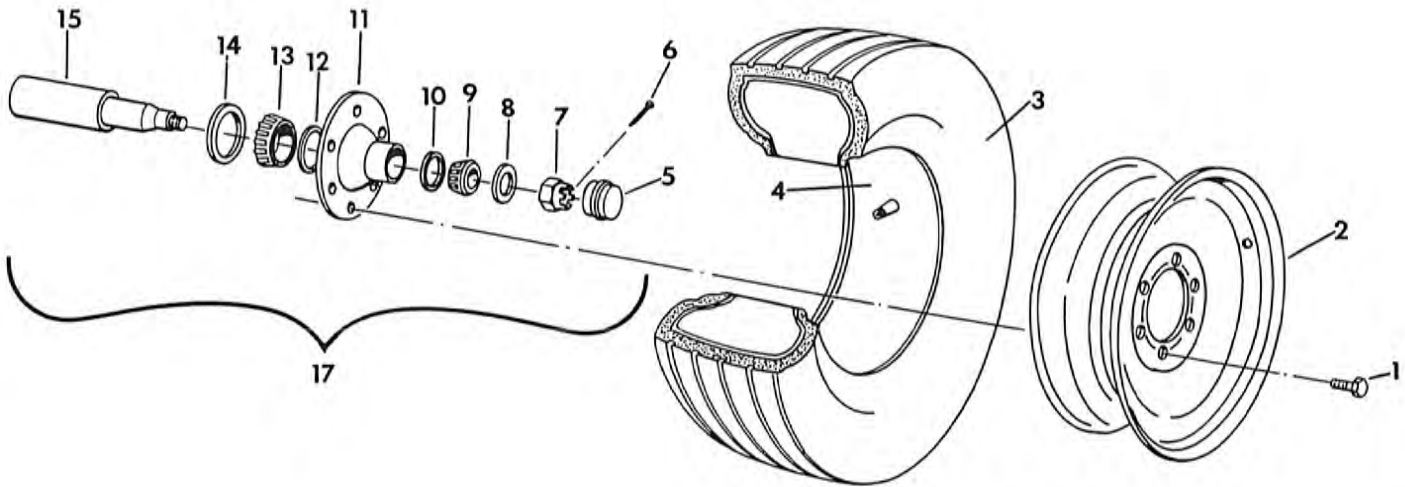
7	4900008	1	Nut, 1-7/8
8	6100006	1	Spring, 3/8 coil
9	1000025	1	Sprocket, 60P 20T 1-7/8
10	5100003	2	Ratchet Jaws
11	5100002	1	Back plate & tube
16	5100001	1	Ratchet Clutch, complete

Overrunning Clutch 1972-73 Models 1600 Only

21	5100004	1	Overrunning Clutch, complete
----	---------	---	------------------------------

Platform Drive Assembly 1972 Model 1600 Only

1	2800004	1	Wheel
2	4900009	6	Nut, wheel 1/4
3	4800024	6	Bolt, wheel 1/4 x 3/4
4	2700002	1	Tube, 8"
5	2600004	1	Tire, 410 x 3.50 x 8, slick
6	2300026	1	Shaft, T1
22	2800005	1	Drive Assembly, complete



Ref.	Part No.	Qty.	Description
1	2900010	24	Bolt, wheel
2	2800001	4	Wheel, 14 x 10
3	2600001	4	Tire, 11L x 14
4	2700001	4	Tube, 11L x 14
5	2900009	1	Cap, hub
6	3000003	1	Key
7	3000004	1	Nut, spindle
8	2900002	1	Washer, 7/8 flat
9	2900003	1	Cone, outer
10	2900004	1	Cup, outer
11	2900005	1	Hub
12	2900006	1	Cup, inner
13	2900007	1	Cone, inner
14	2900008	1	Grease seal
15	3000002	1	Spindle, less nut & key
16	2900001	1	Hub Complete
17	3000001	1	Spindle Complete

Per Machine

Per Axle Assembly





All Haybuster Stackers are shipped with open center plugs installed. Check your tractor model below to make sure it is with open center plugs. If not equipped with such, order closed center plugs before operating.

Tractor Mfg. and Model	Open or Closed Center	Tractor Mfg. and Model	Open or Closed Center	Tractor Mfg. and Model	Open or Closed Center
Allis Chalmers		John Deere		Massey Ferguson	
160	open	4000	closed	MF130D	open
170G	open	4020	closed	MF135G	closed
170D	open	4230	closed	MF135D	closed
175 Crop Hunter	open	4320	closed	MF165G	closed
180G	open	4430	closed	MF175G	closed
180D	open	4620	closed	MF175D	closed
185 Crop Hunter	open	4630	closed	MF180G	closed
190D	open	5020	closed	MF180D	closed
190 GXT	open	6030	closed	MF1080D	closed
190 DXT	open			1085	closed
210	open	Deutz		MF1100D	closed
220	open	D3006	open	1105	closed
		D4006	open	MF1130D	closed
David Brown		4506	open	1135	closed
700	open	D5506	open	MF1150D	closed
705	open	D6006	open	1155	closed
885	open	D8006	open	Minneapolis-Moline	
880	open	D9006	open	Jet Star Three	open
990	open	D10006	open	U302	open
995	open	D13006	open	M670 Super	open
1200	open			G-350	open
1210	open	Ford		G-450	open
1212	open	1000	open	G-550	open
3800	open	2000	open	G-750	open
4600	open	3000	open	G-850	closed
		4000	open	G-940	closed
J.I. Case		4000SU	open	G-950	closed
470	open	5000	open	G-1050	closed
570	open	7000	open	G-1350	closed
770	open	8000	open	Oliver	
870	open	9000	open	550	open
970	open			1255	open
1070	open	International Harvester		1265	open
1090	open	140	open	1355	open
1170	open	354	open	1365	open
1175	open	454	open	1555	open
1270	open	F-544	open	1655	open
1370	open	I-544	open	1755	closed
		574	open	1855	closed
John Deere		F-656	open	1955	closed
820	open	I-656	open	2050-2150	open
1020RU	closed	664	open	2155	closed
1020HU	closed	666	open	Steiger	
1020LU	closed	766	open	ST 200	open
1520	closed	966	open	ST 225	open
2030	closed	1066	open	ST 300	open
2520	closed	1466-1463	open	ST 320	open
3020	closed				

